



US00D348289S

United States Patent [19]

Ballew et al.

[11] Patent Number: **Des. 348,289**

[45] Date of Patent: **** Jun. 28, 1994**

[54] AMUSEMENT CAR

[75] Inventors: **Charles S. Ballew; Joseph A. Lanzisero**, both of Burbank, Calif.

[73] Assignee: **The Walt Disney Company**, Burbank, Calif.

[**] Term: **14 Years**

[21] Appl. No.: **3,983**

[22] Filed: **Jan. 22, 1993**

[52] U.S. Cl. **D21/78**

[58] Field of Search **446/465, 470, 471; D21/78, 134, 136, 137, 188, 250; D12/92**

[56] References Cited

U.S. PATENT DOCUMENTS

| | | | | |
|------------|---------|-------|-------|---------|
| D. 72,828 | 6/1927 | Hitt | | D21/137 |
| D. 240,843 | 8/1976 | Zick | | D21/250 |
| 1,201,793 | 10/1916 | Baker | | 446/470 |

OTHER PUBLICATIONS

Nacoral Plastics Ad #1102.
Gift and Tableware Reporter Apr. 1970 p. 5 top of page.

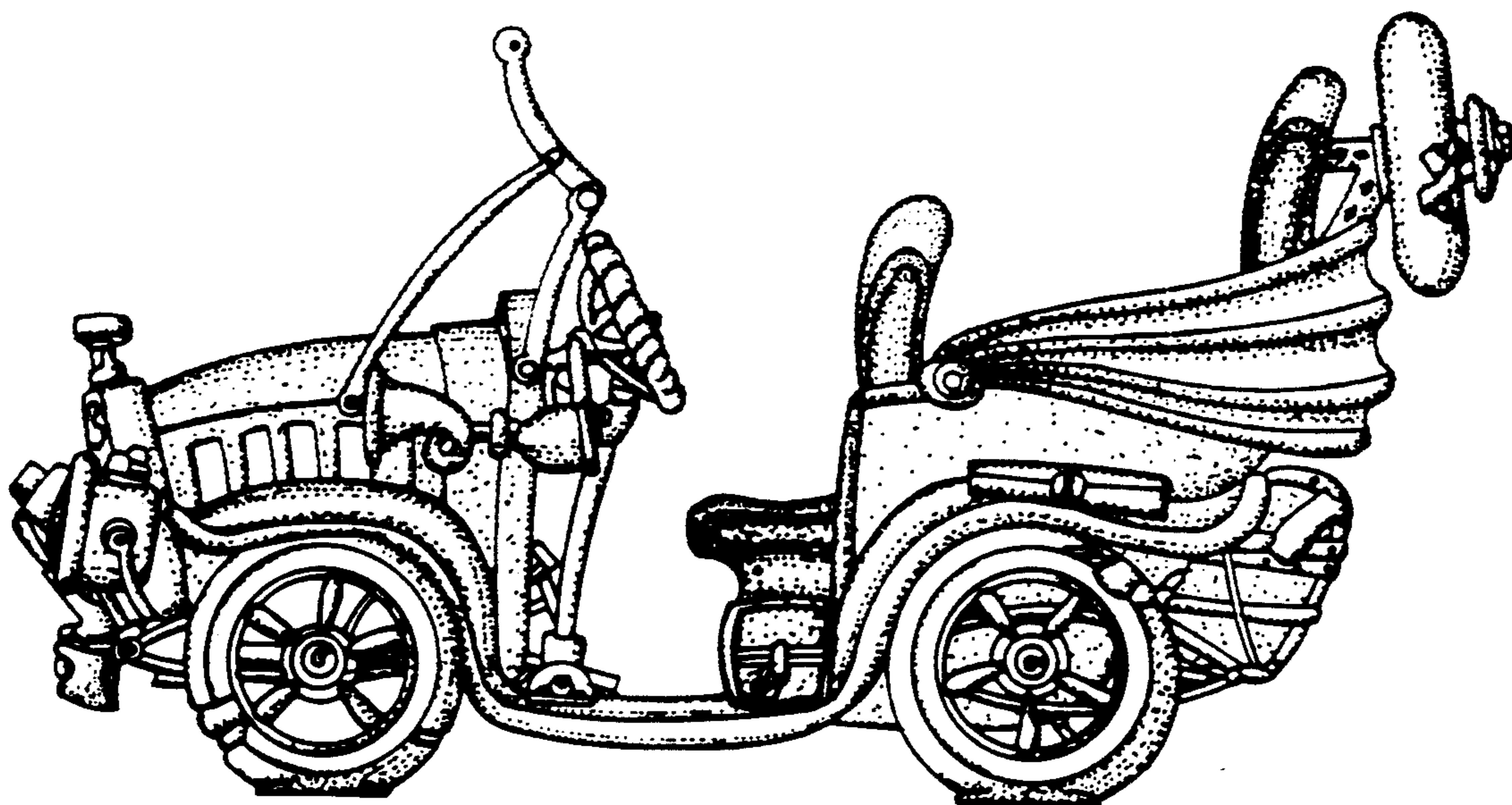
Primary Examiner—Bernard Ansher
Assistant Examiner—R. Barkai
Attorney, Agent, or Firm—Richard S. Erbe

[57] CLAIM

The ornamental design for an amusement car, as shown and described.

DESCRIPTION

FIG. 1 is a right side elevational view of an amusement car embodying our new design;
FIG. 2 is a left side elevational view of the car;
FIG. 3 is a front elevational view of the car;
FIG. 4 is a rear elevational view of the car; and,
FIG. 5 is a top plan view of the car.



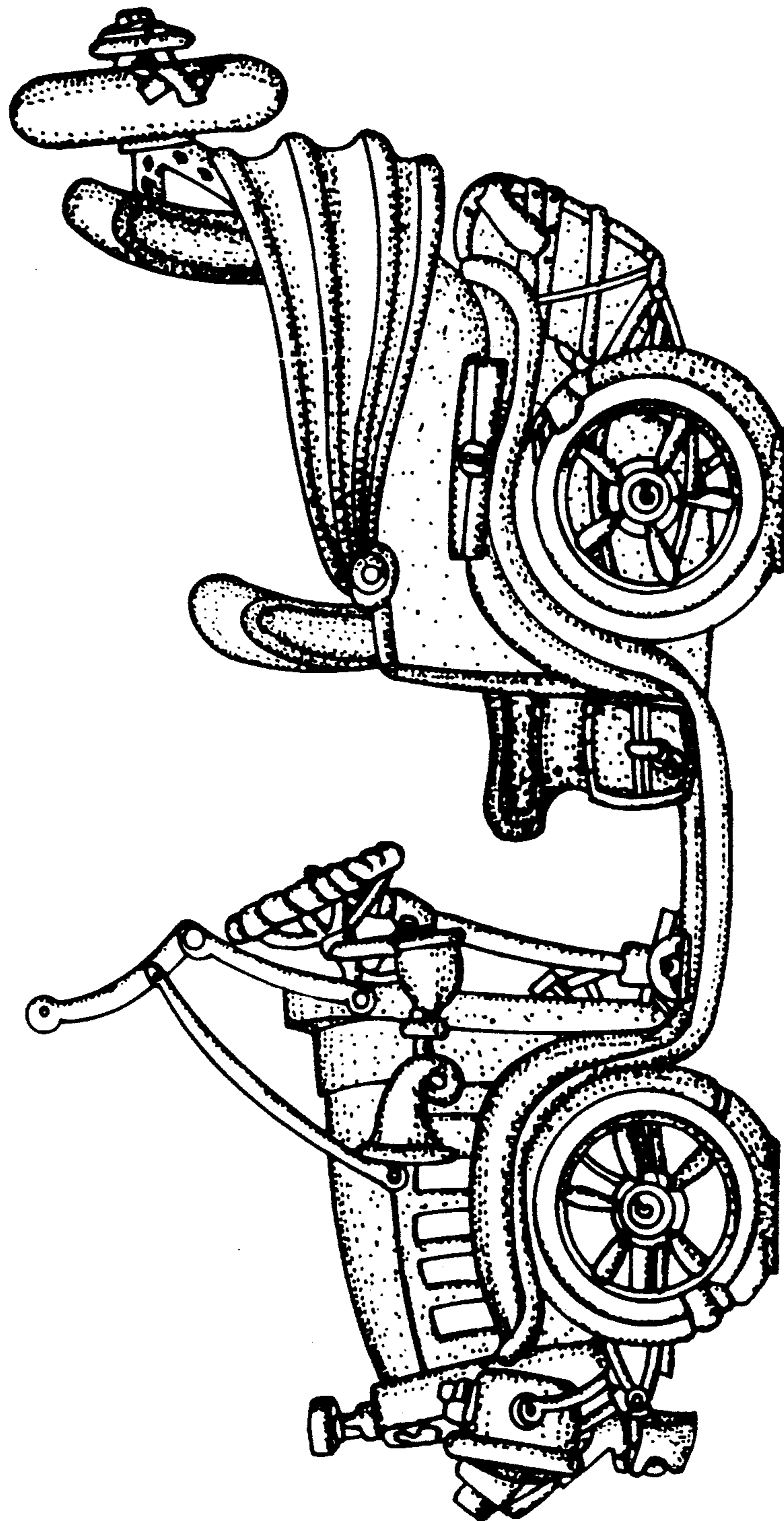


FIG. 1.

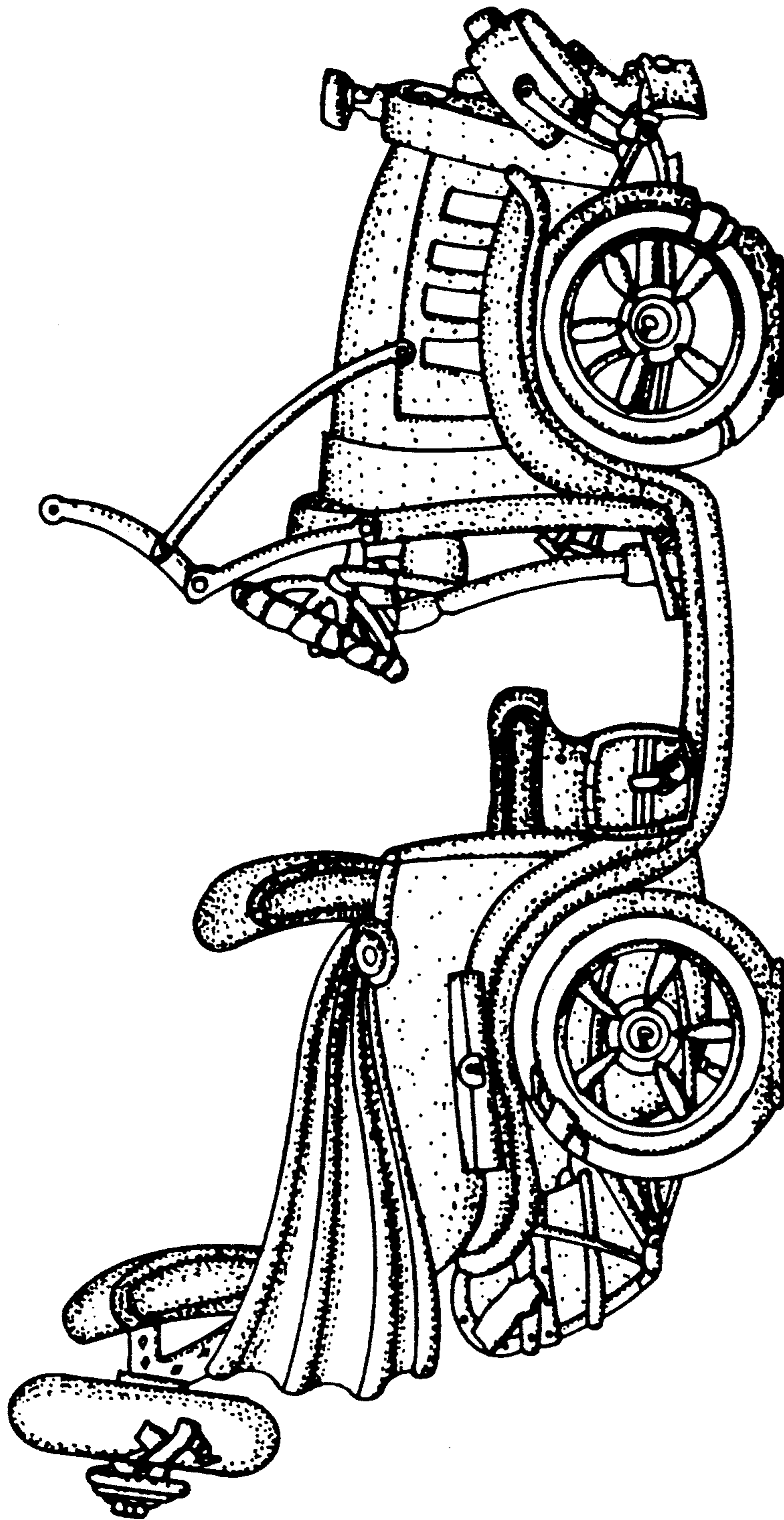


FIG. 2.

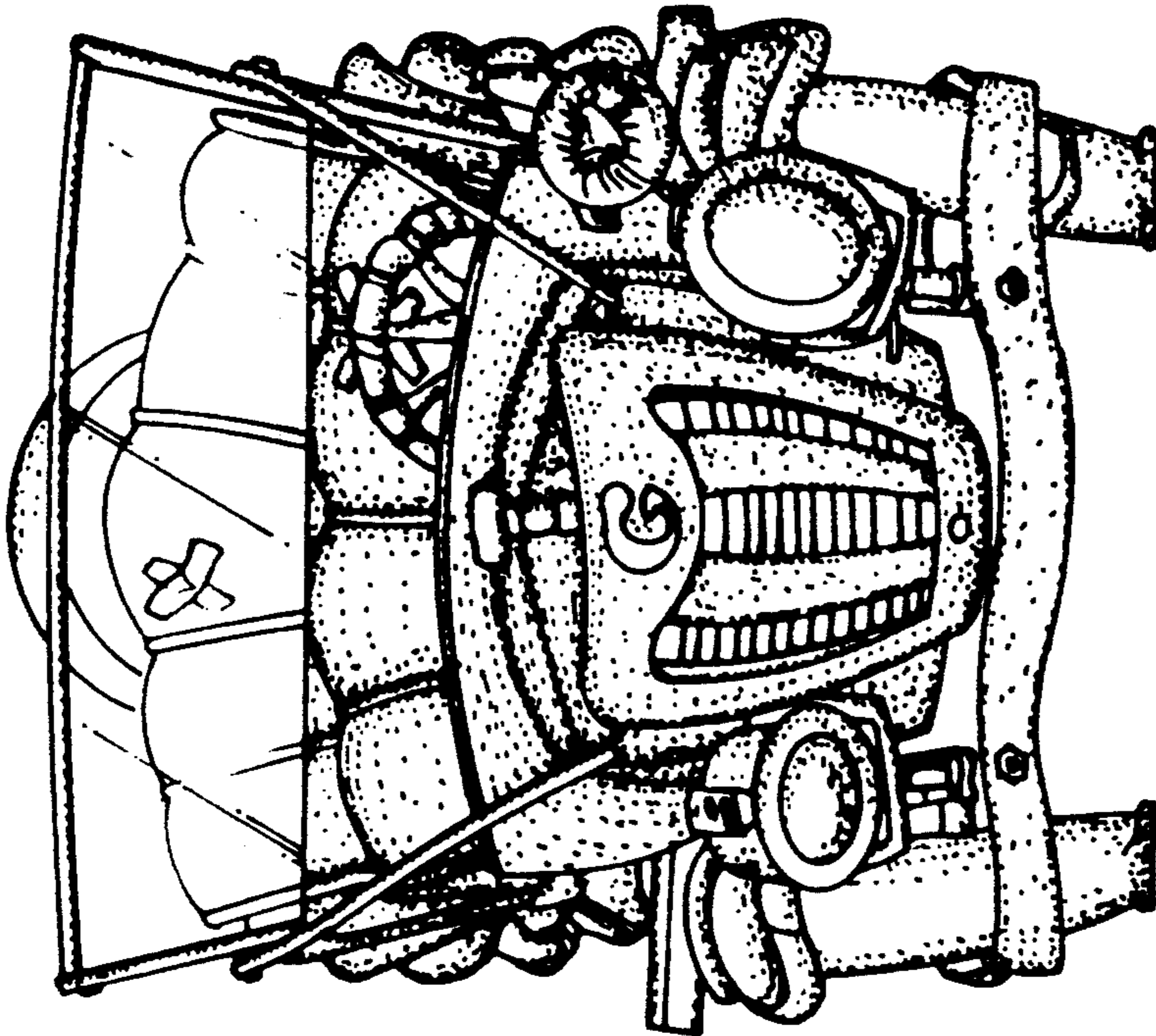


FIG. 3.

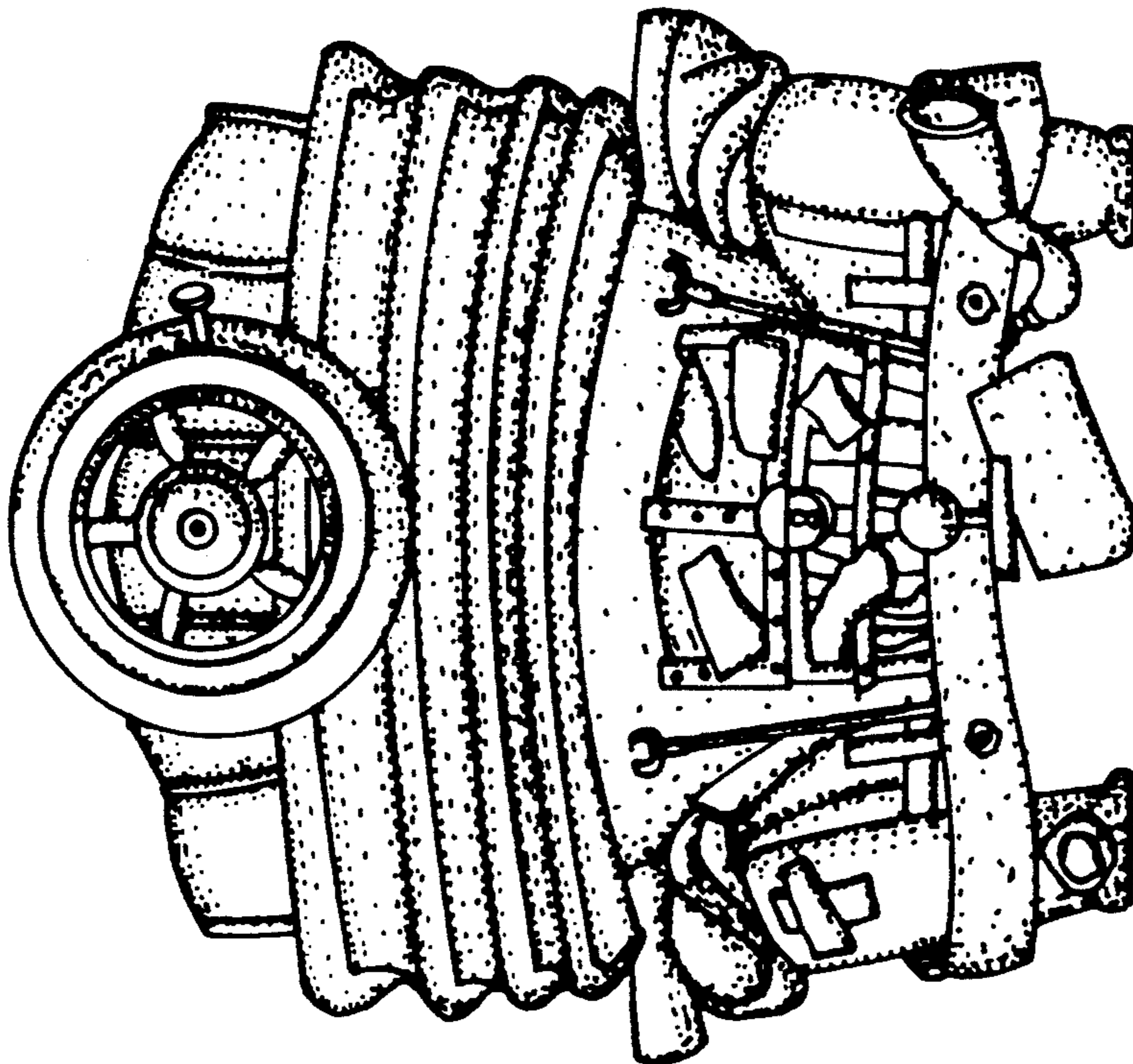


FIG. 4.

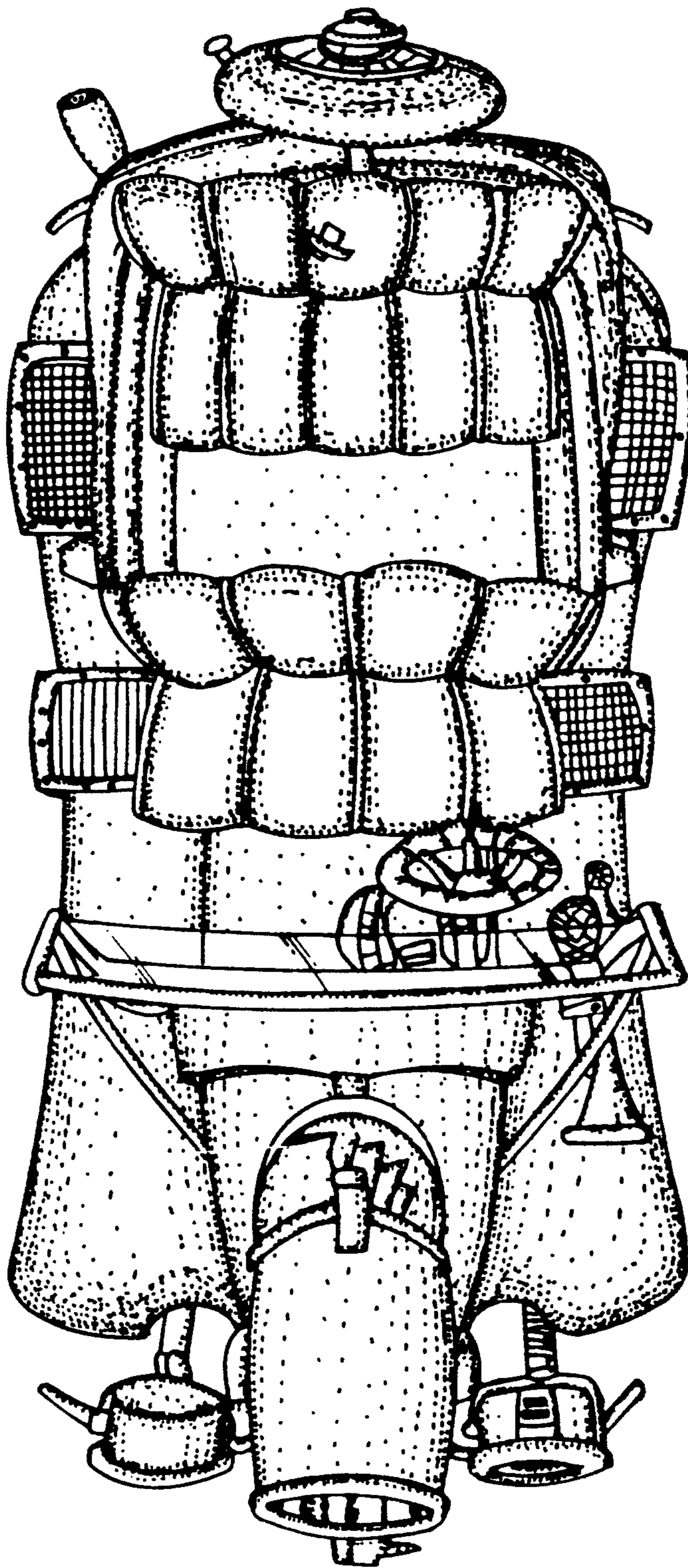


Fig. 5.