



US00D348287S

United States Patent [19]
Ödmark

[11] **Patent Number: Des. 348,287**
[45] **Date of Patent: ** Jun. 28, 1994**

[54] **PRICE DISPLAY HOLDER FOR STORE SHELVES**
[75] **Inventor: Ola Ödmark, Uppsala, Sweden**
[73] **Assignee: Pricer Norden AB, Uppsala, Sweden**
[**] **Term: 14 Years**
[21] **Appl. No.: 1,827**
[22] **Filed: Nov. 25, 1992**

[30] **Foreign Application Priority Data**
May 26, 1992 [SE] Sweden 92-1164
[52] **U.S. Cl. D20/43**
[58] **Field of Search 40/1, 124, 124.1, 5, 40/630, 642, 643, 644, 649, 618, 619, 624, 124.2, 541; D20/10, 39, 40, 41, 42, 43, 44**

[56] **References Cited**
U.S. PATENT DOCUMENTS
D. 202,759 11/1965 Fisher D20/44
D. 208,085 7/1967 Slavsky D20/43
D. 229,167 11/1973 DeKorte et al. D20/43

D. 269,979 8/1983 Pakula D20/42
D. 292,994 12/1987 Lindberg D10/118
3,086,308 4/1963 Iernouth 40/541
4,375,730 3/1983 Sanders et al. 40/5
4,577,428 3/1986 Trame 40/5

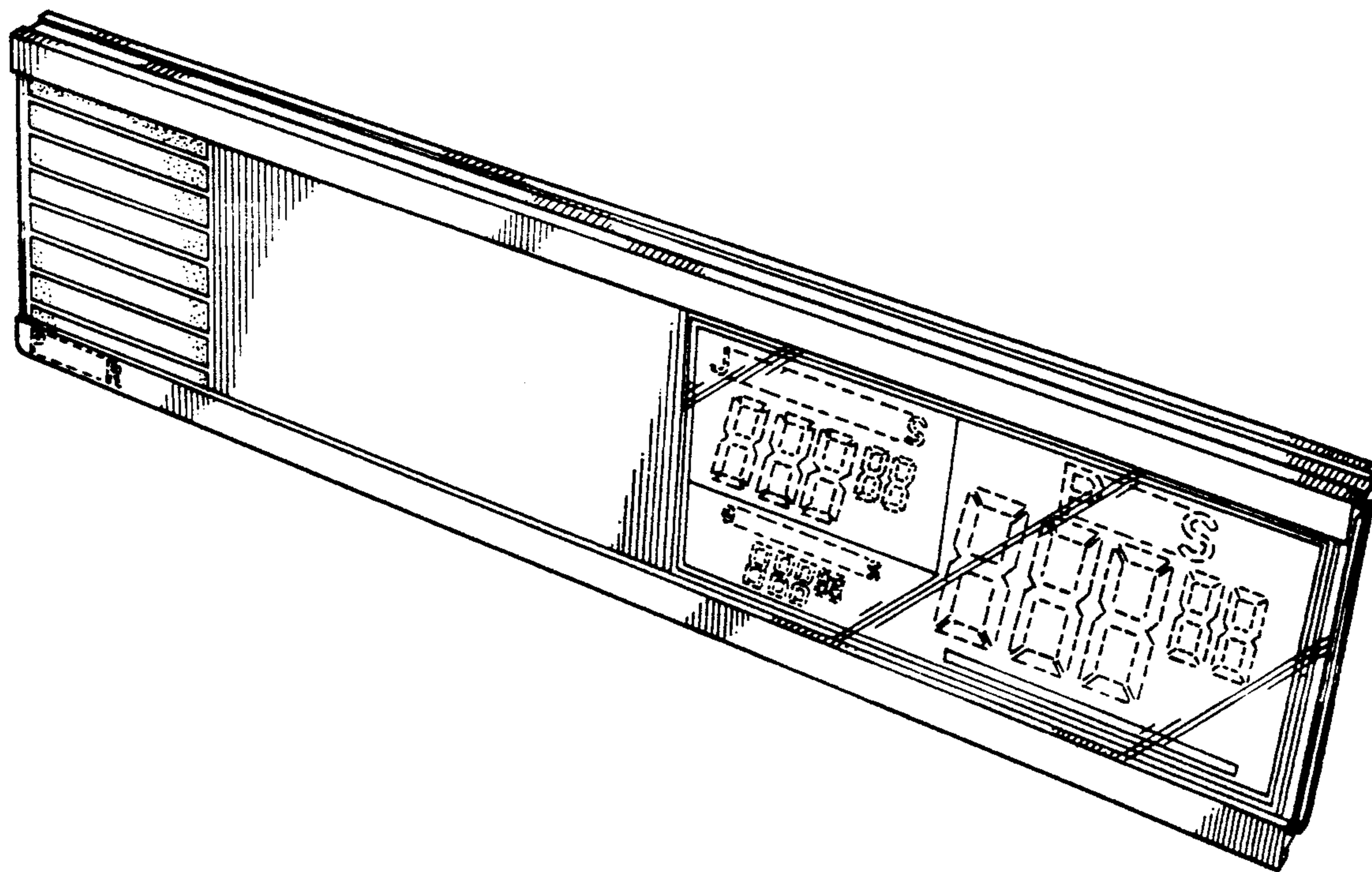
Primary Examiner—Wallace R. Burke
Assistant Examiner—Marcus Jackson
Attorney, Agent, or Firm—Young & Thompson

[57] **CLAIM**

The ornamental design for a price display holder for store shelves, as shown.

DESCRIPTION

FIG. 1 is a front perspective view of a price display holder for store shelves showing our new design; and, FIG. 2 is a rear perspective view of a device for marking edges of shelves showing our new design. The broken line disclosure of the figures and indicia in FIG. 1 is for illustrative purposes only and forms no part of the claimed design. The left end is a mirror image of the right end and the top is a mirror image of the bottom.



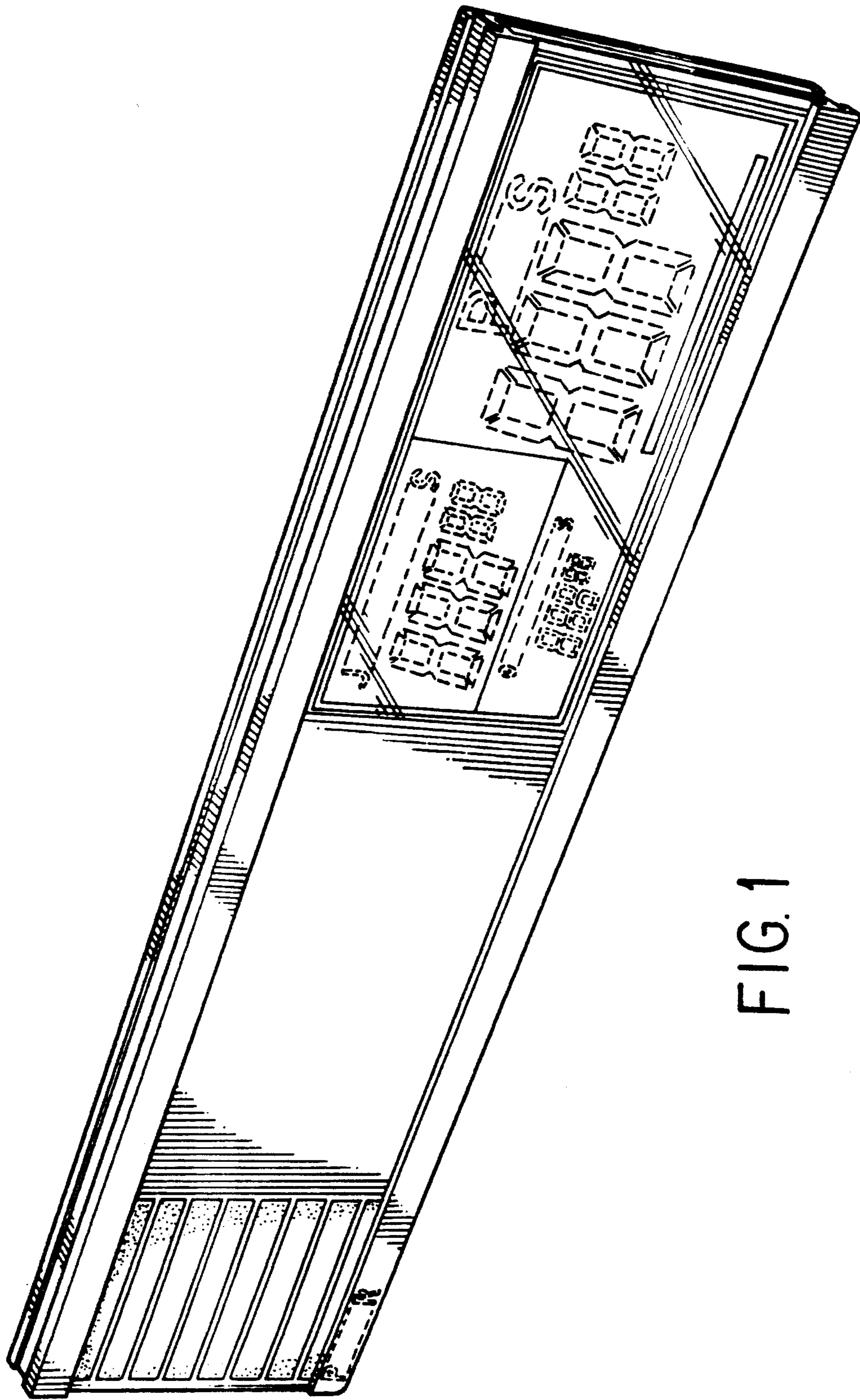


FIG. 1

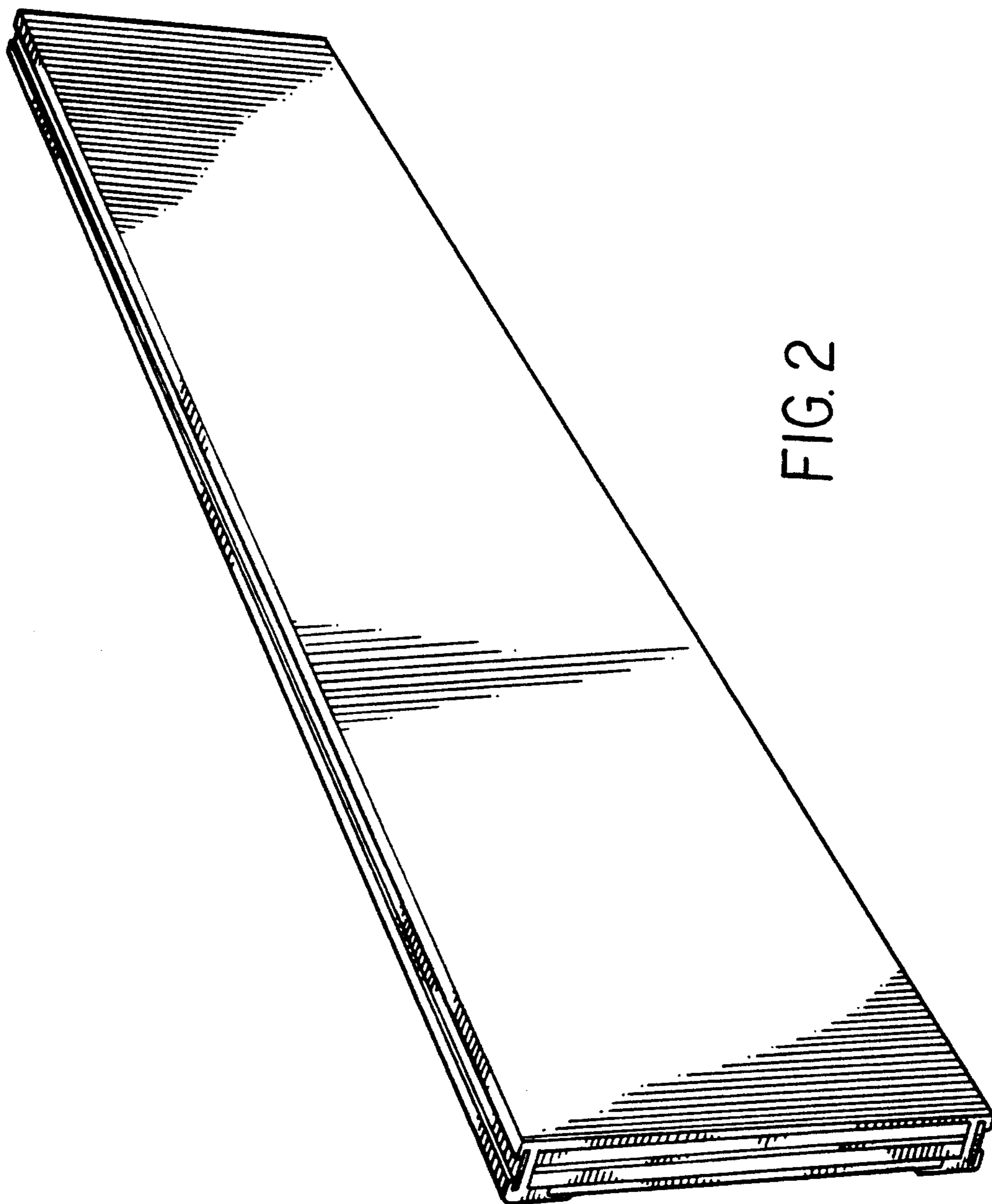


FIG. 2