



US00D348278S

United States Patent [19] Bowman

[11] Patent Number: **Des. 348,278**
[45] Date of Patent: **** Jun. 28, 1994**

[54] X-RAY FILM PROCESSOR

[75] Inventor: **Vincent H. Bowman**, Chicago, Ill.

[73] Assignee: **Fischer Industries, Incorporated**,
Geneva, Ill.

[**] Term: **14 Years**

[21] Appl. No.: **840,771**

[22] Filed: **Feb. 24, 1992**

[52] U.S. Cl. **D16/247**

[58] Field of Search 354/297, 311, 315, 331,
354/336; 355/27, 28; D16/237, 246, 247;
D24/158

[56] References Cited

U.S. PATENT DOCUMENTS

D. 264,502	5/1982	Müller et al.	D16/247
D. 272,448	1/1984	Schlagheck et al.	D16/247
D. 290,998	7/1987	Gemmill	D24/158
D. 294,371	2/1988	Phleps	D16/247
4,324,479	4/1982	Sachs	354/319
4,515,456	5/1985	Ferrante	354/320
4,941,008	7/1990	Nakamura	354/320

FOREIGN PATENT DOCUMENTS

63-43149 2/1988 Japan 354/331
1659969 6/1991 U.S.S.R. 354/297

Primary Examiner—Melvin B. Feifer
Assistant Examiner—Adir Aronovich
Attorney, Agent, or Firm—Polster, Lieder, Woodruff &
Lucchesi

[57] CLAIM

The ornamental design for an x-ray film processor, as shown and described.

DESCRIPTION

FIG. 1 is a perspective view of the X-ray film processor with the drop slot cover in place showing my new design;

FIG. 2 is a top plan with drop slot cover in place;

FIG. 3 is a top plan with the drop slot exposed;

FIG. 4 is a bottom plan of the x-ray processor;

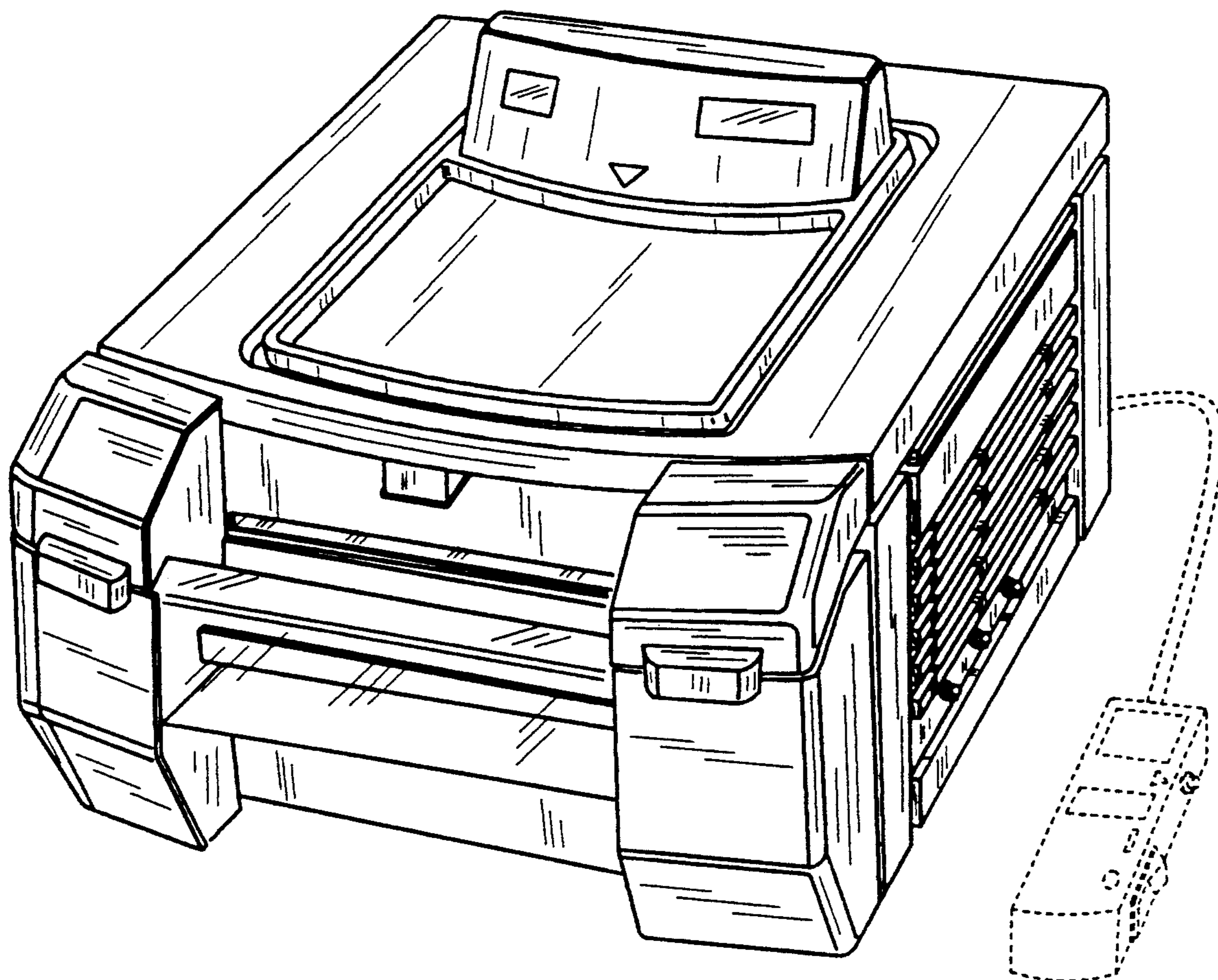
FIG. 5 is a side elevational view of the right side;

FIG. 6 is a side elevational view of the left side;

FIG. 7 is a front elevational view; and,

FIG. 8 is a rear elevational view.

The broken lines are shown for illustrative purposes only and forms no part of the claimed design.



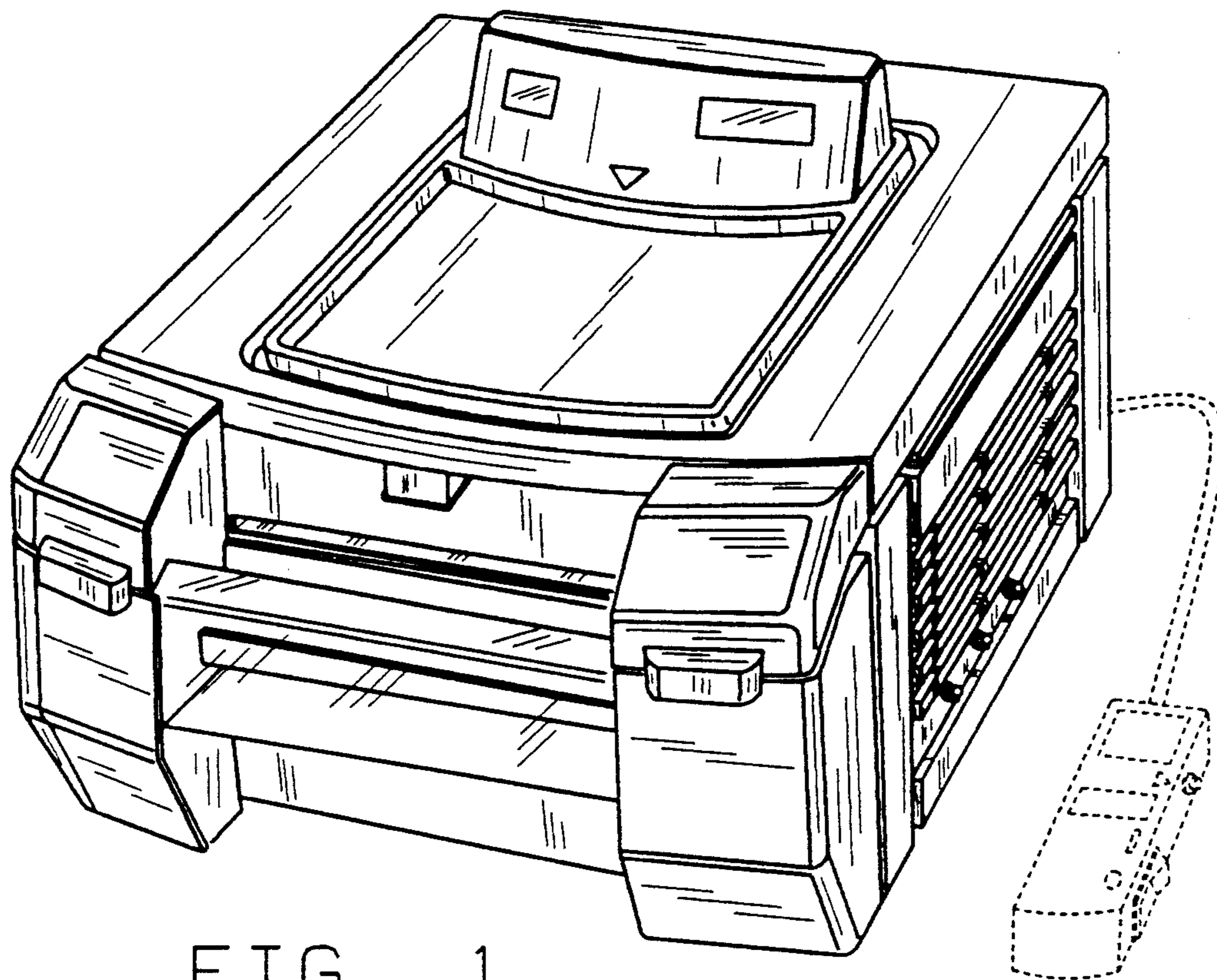


FIG. 1

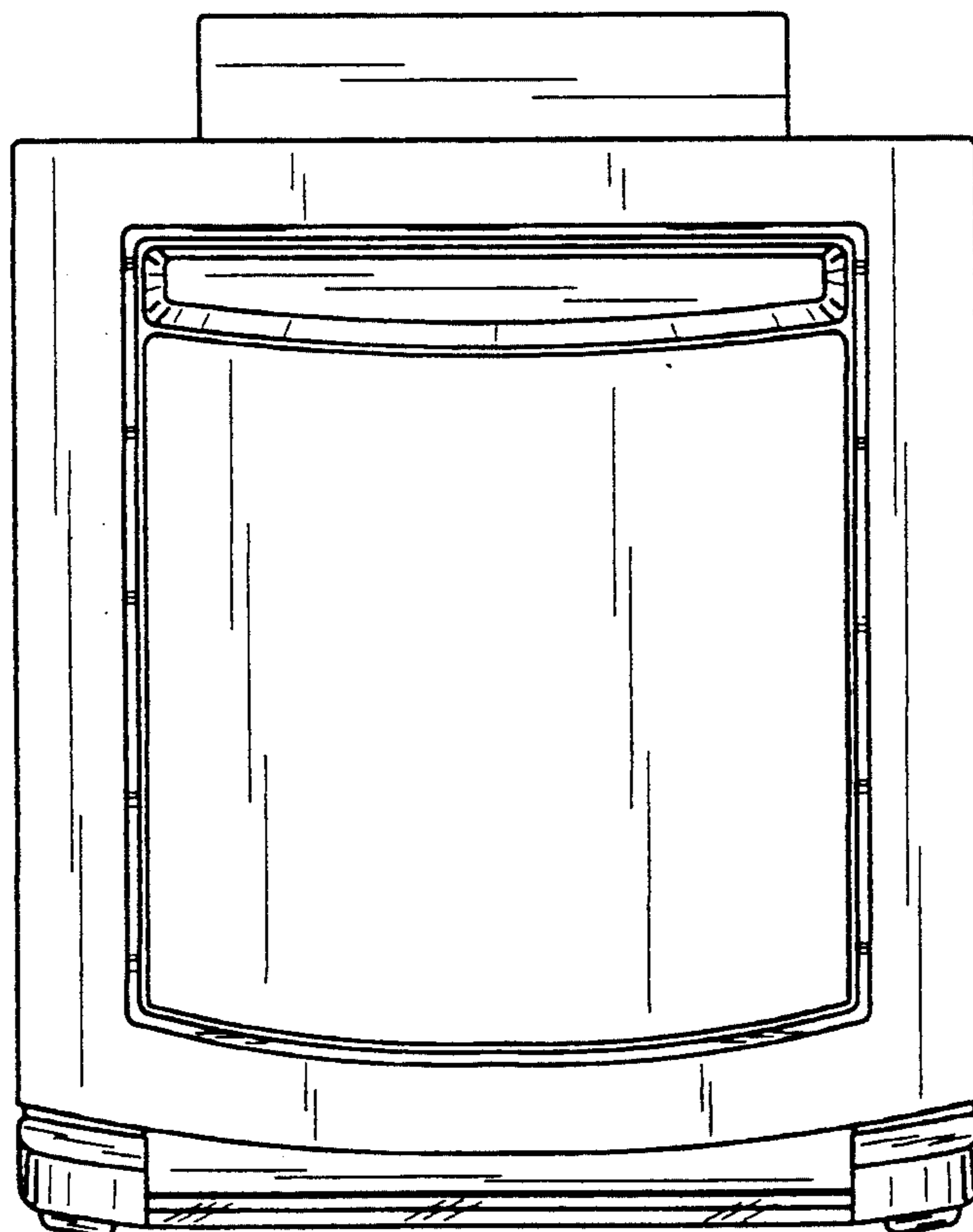


FIG. 2

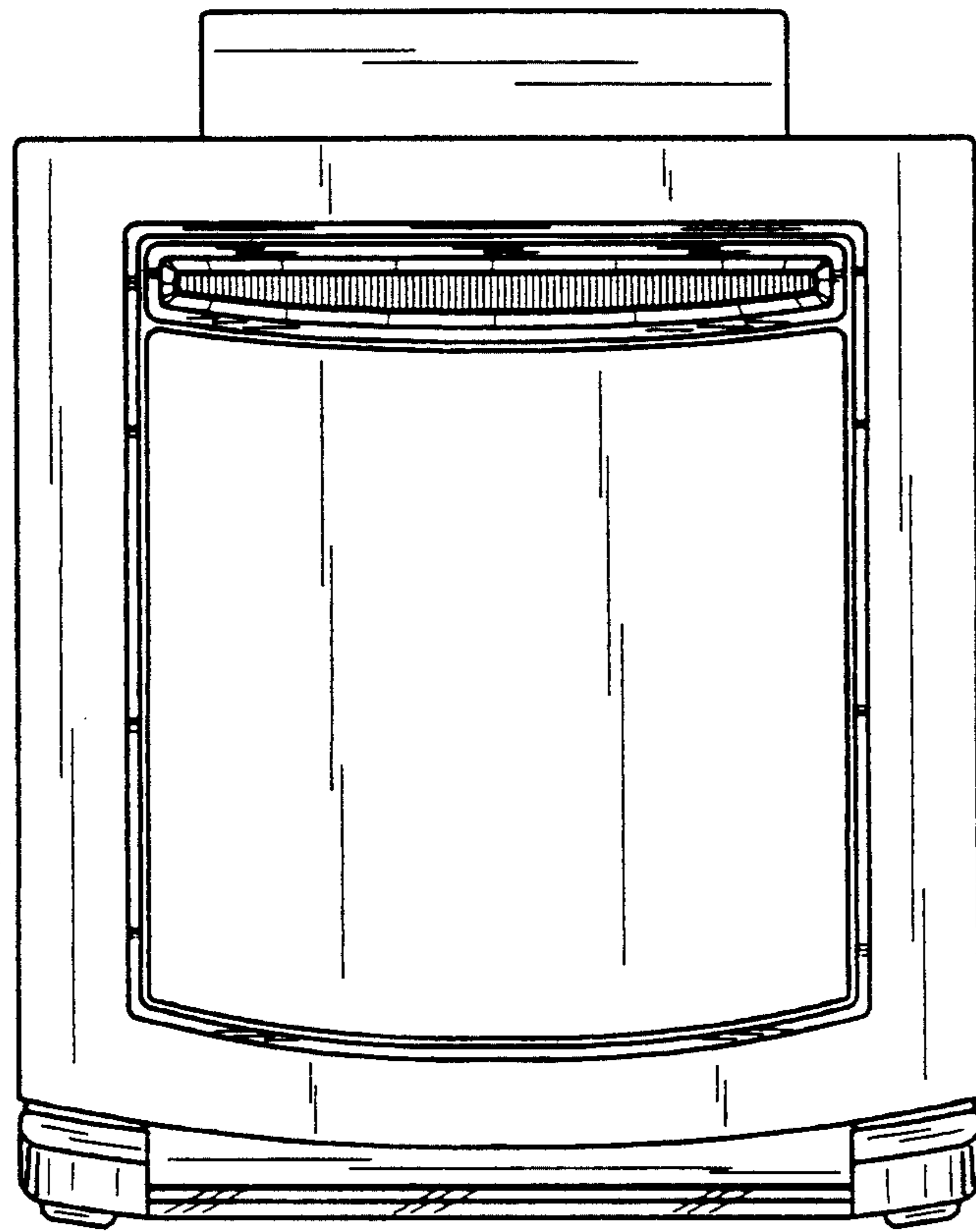


FIG. 3

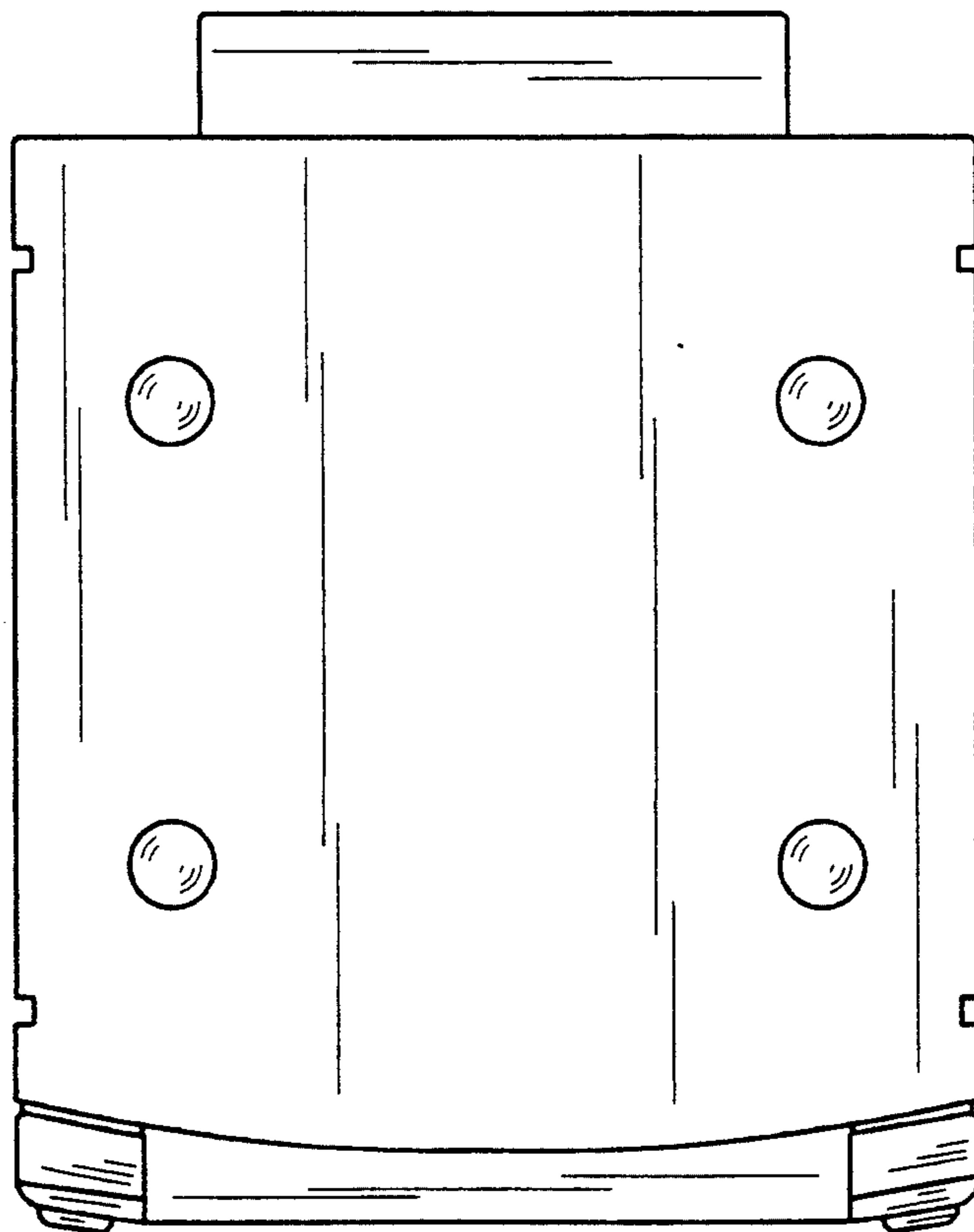


FIG. 4

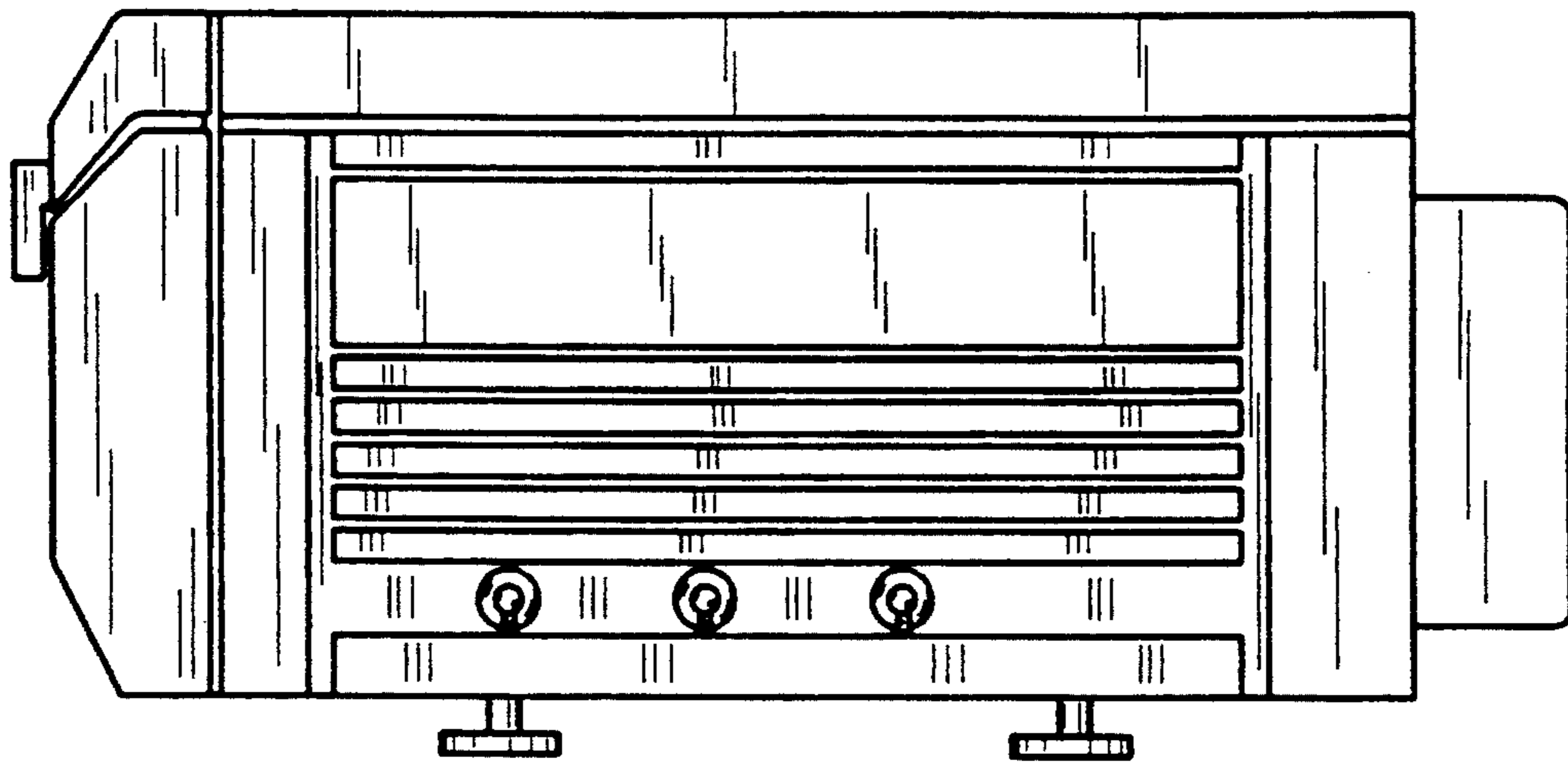


FIG. 5

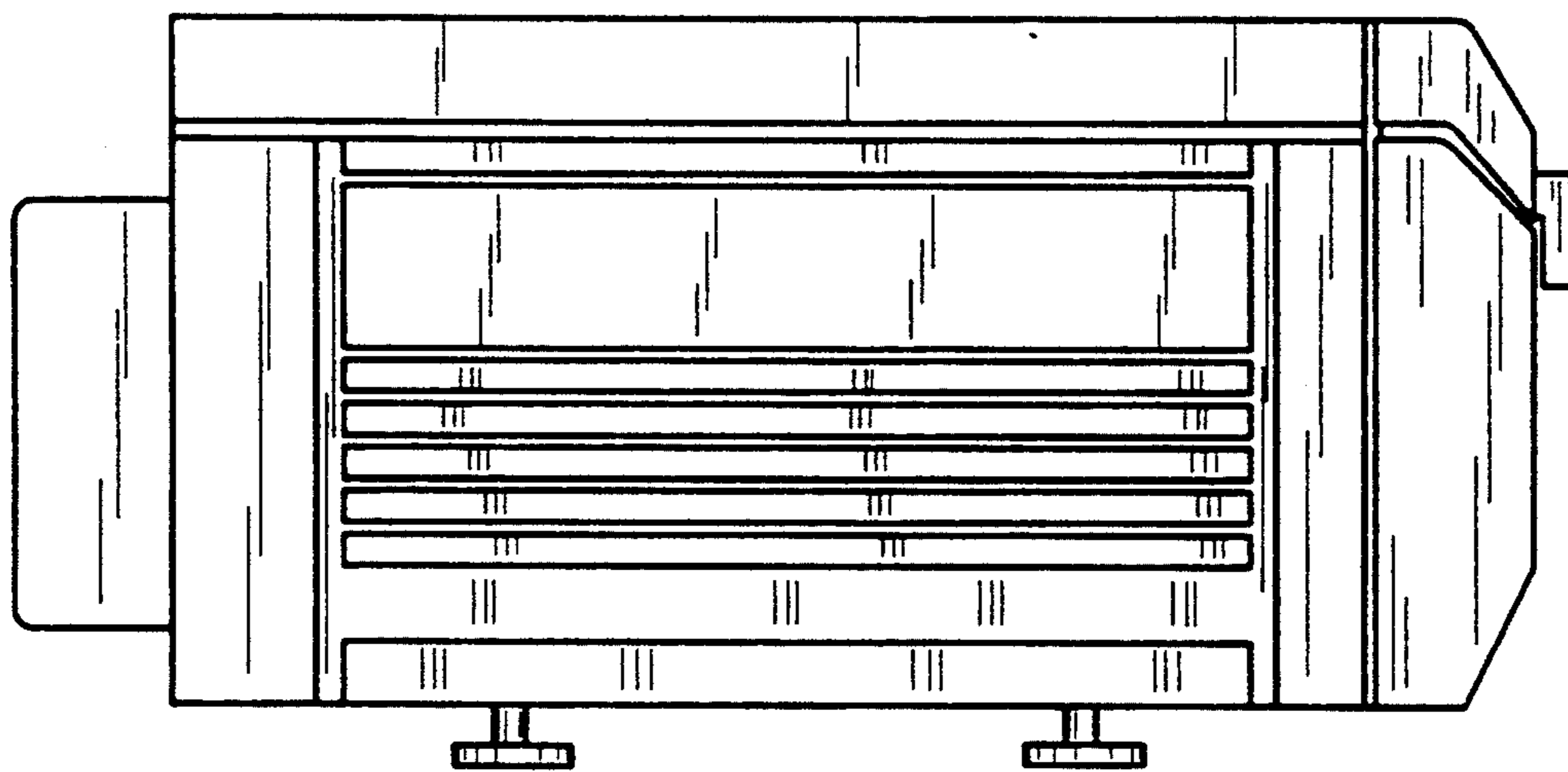


FIG. 6

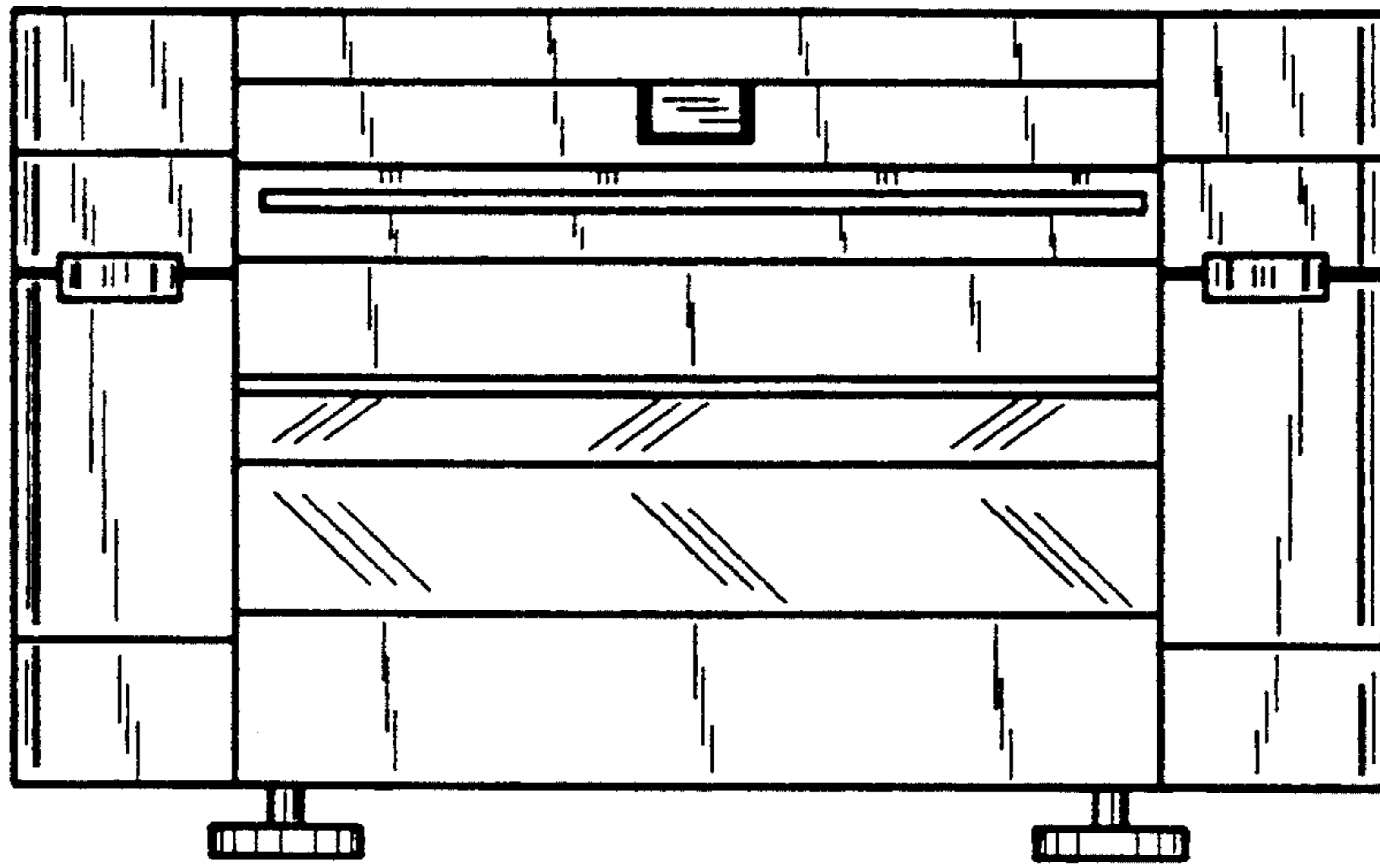


FIG. 7

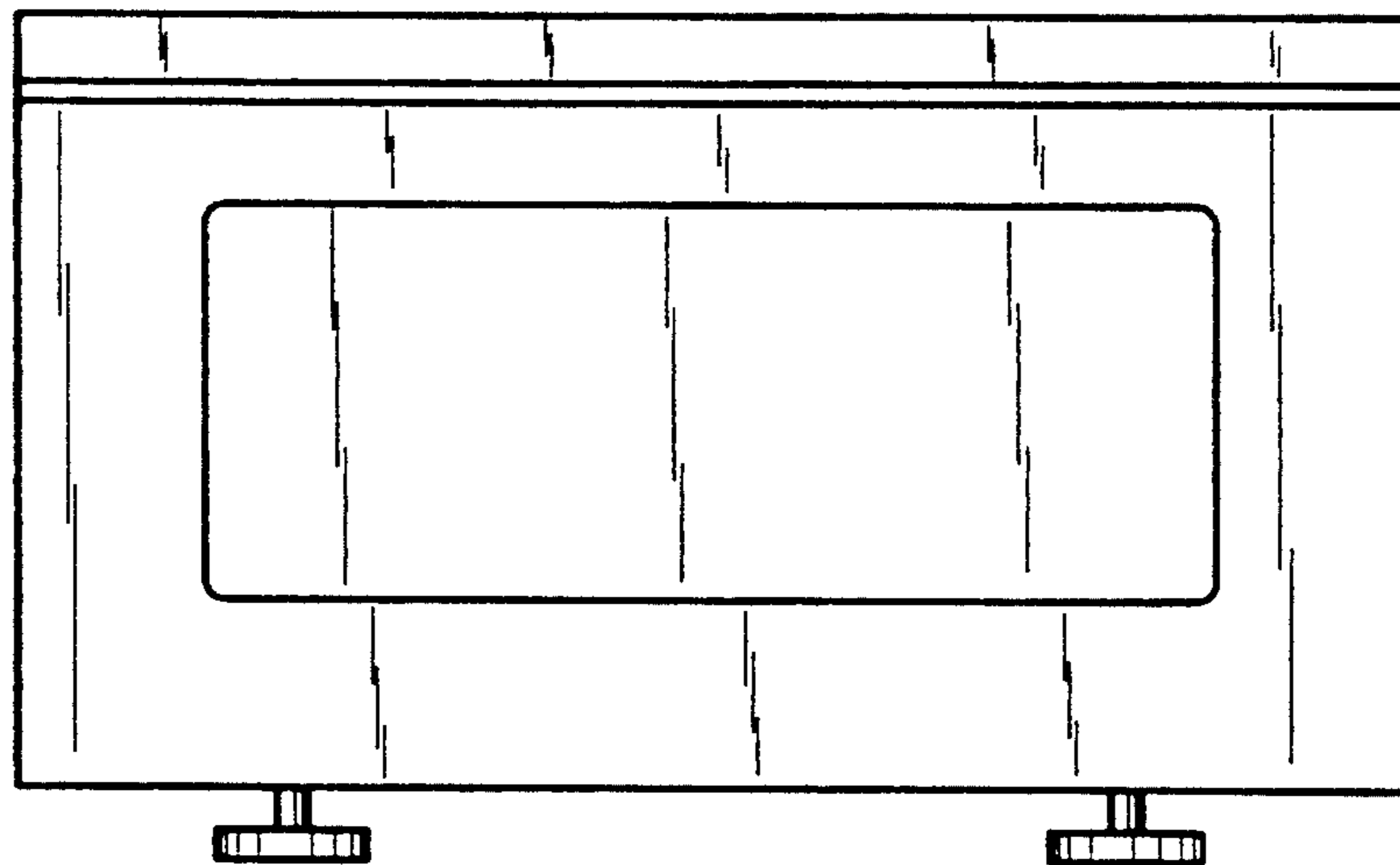


FIG. 8