



US00D348276S

United States Patent [19]
Hastings

[11] **Patent Number: Des. 348,276**
[45] **Date of Patent: ** Jun. 28, 1994**

[54] **COMBINED FIREARM AND LONG-RANGE CAMERA**

[76] **Inventor: Phillip W. Hastings, 101 Brazil Nut Ct., Las Vegas, Nev. 89128**

[**] **Term: 14 Years**

[21] **Appl. No.: 655,924**

[22] **Filed: Feb. 15, 1991**

[52] **U.S. Cl. D16/201; D22/104**

[58] **Field of Search 42/7, 50, 54; 89/195, 89/196; 273/310, 313, 316; 354/75, 76; 434/16; 446/405, 407, 473; D16/200, 201, 203, 204, 206, 208; D21/147; D22/101, 104, 105**

[56] **References Cited**

U.S. PATENT DOCUMENTS

D. 41,900	11/1911	Ford	D16/201
1,047,671	12/1912	Mauser	89/196
3,545,356	12/1970	Nielsen .	
3,709,124	1/1973	Hunt .	
4,207,799	6/1980	Tocco	89/196
4,583,958	4/1986	Matsuda	446/473
4,907,022	3/1990	Myers .	

FOREIGN PATENT DOCUMENTS

586031 of 1933 Fed. Rep. of Germany .
1145377 of 1963 Fed. Rep. of Germany .

OTHER PUBLICATIONS

Handbook of Pictorial Symbols, 1976 p. 103.
Gun World, Mar. 1986, p. 32.
Popular Photography, Apr. 1986 p. 81.

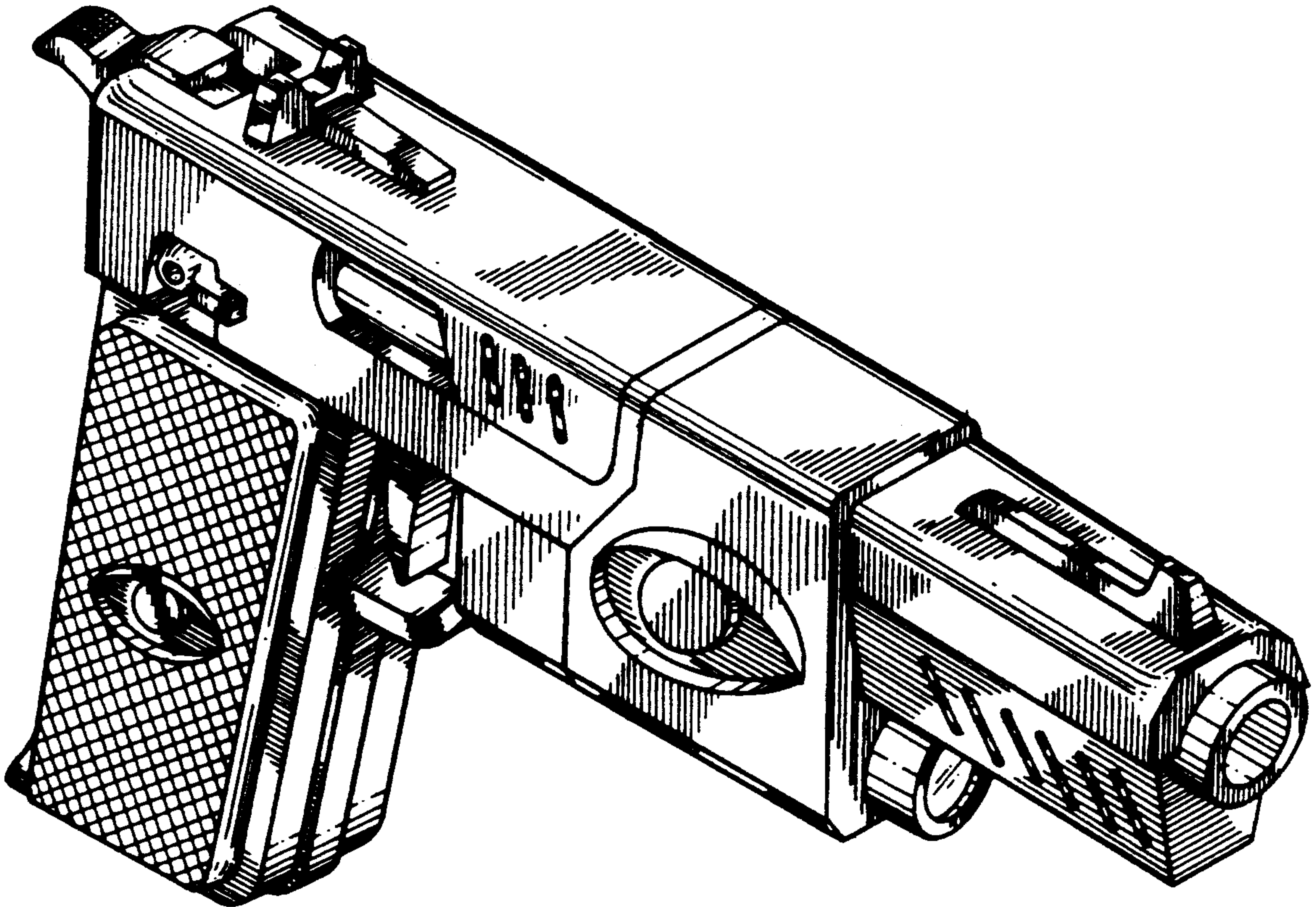
Primary Examiner—Bernard Ansher
Assistant Examiner—Adir Aronovich
Attorney, Agent, or Firm—Terry M. Gernstein

[57] **CLAIM**

The ornamental design for a combined firearm and long-range camera, as shown and described.

DESCRIPTION

FIG. 1 is a perspective view of a combined firearm and long-range camera showing my new design;
FIG. 2 is a front end elevational view thereof;
FIG. 3 is a rear end elevational view thereof;
FIG. 4 is a side elevational view thereof;
FIG. 5 is a side elevational view opposite of that shown in FIG. 4;
FIG. 6 is a top plan view thereof; and,
FIG. 7 is a bottom view thereof.



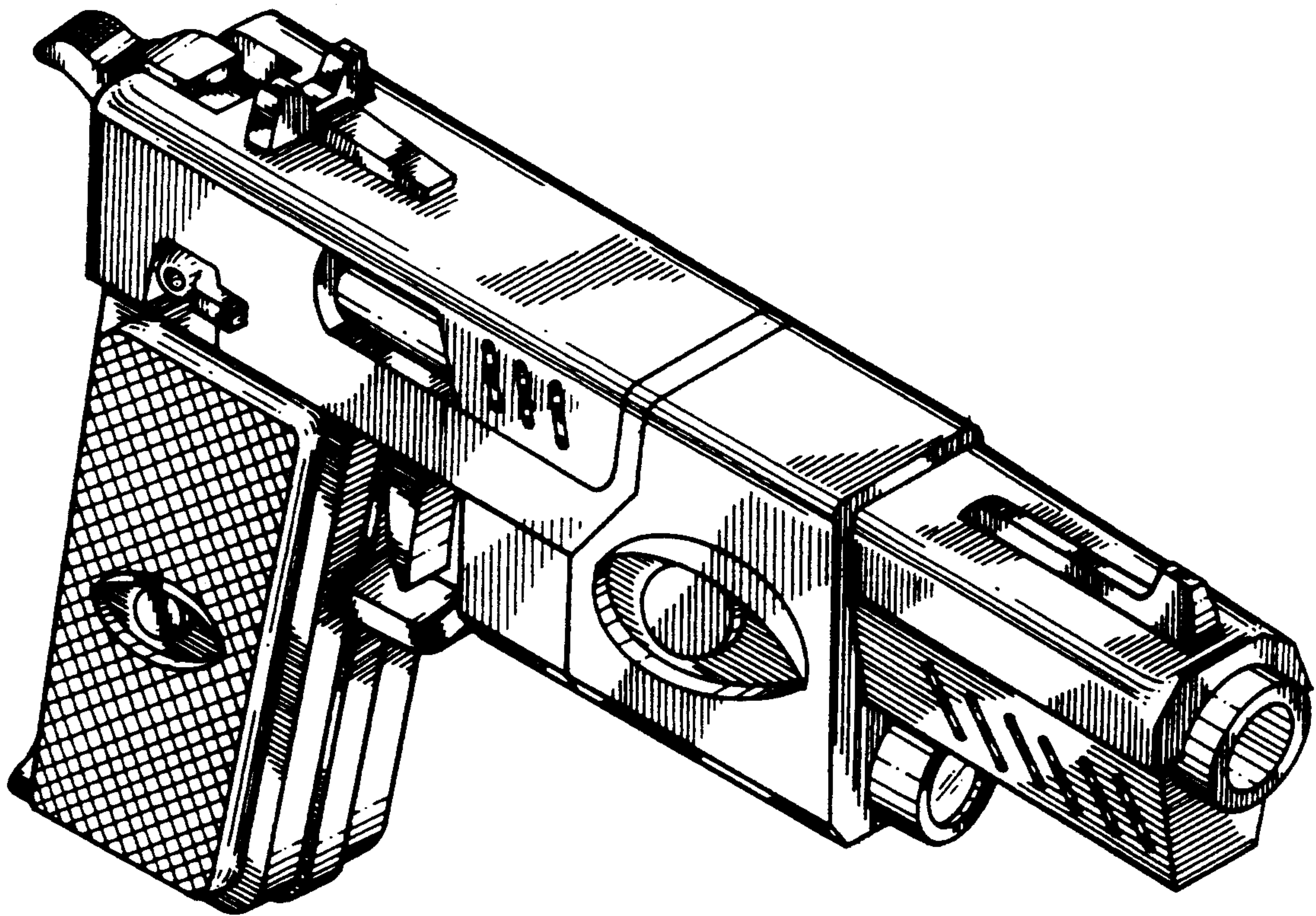


FIG. 1.

FIG. 2.

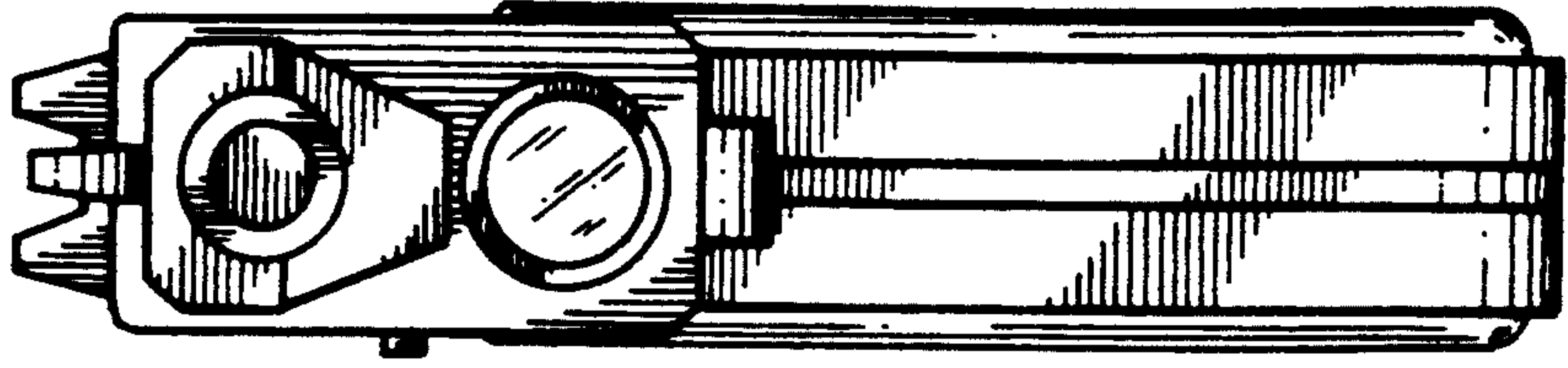


FIG. 4.

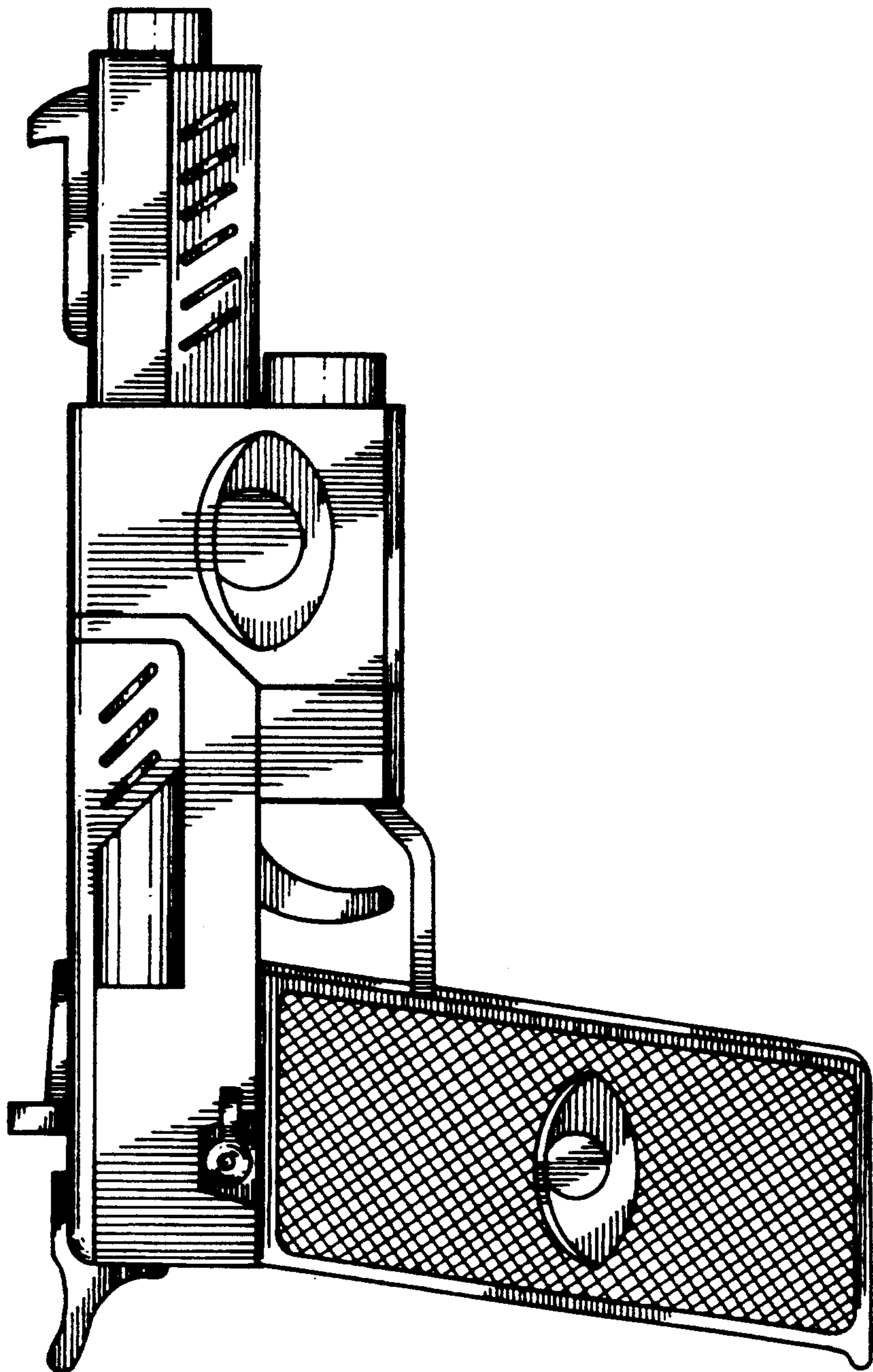


FIG. 3.

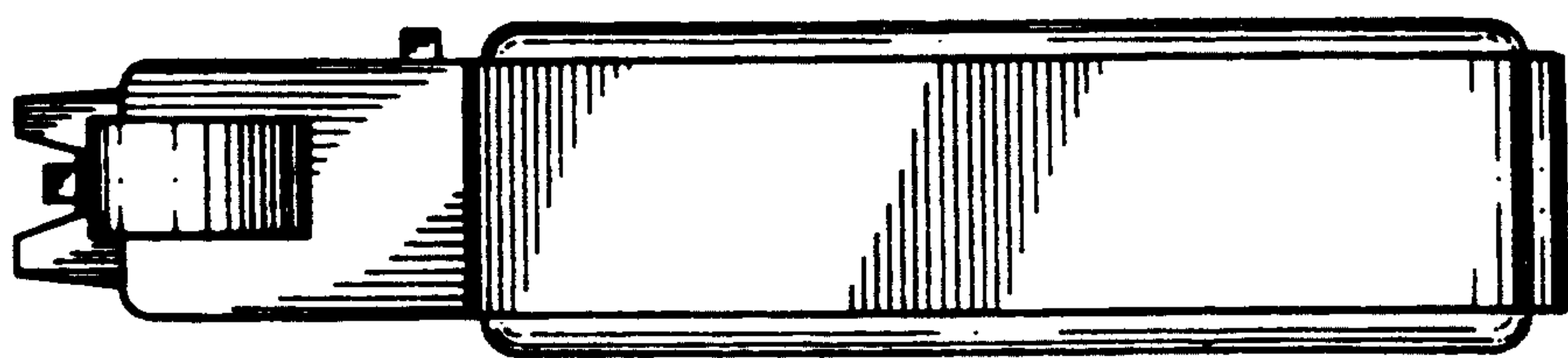
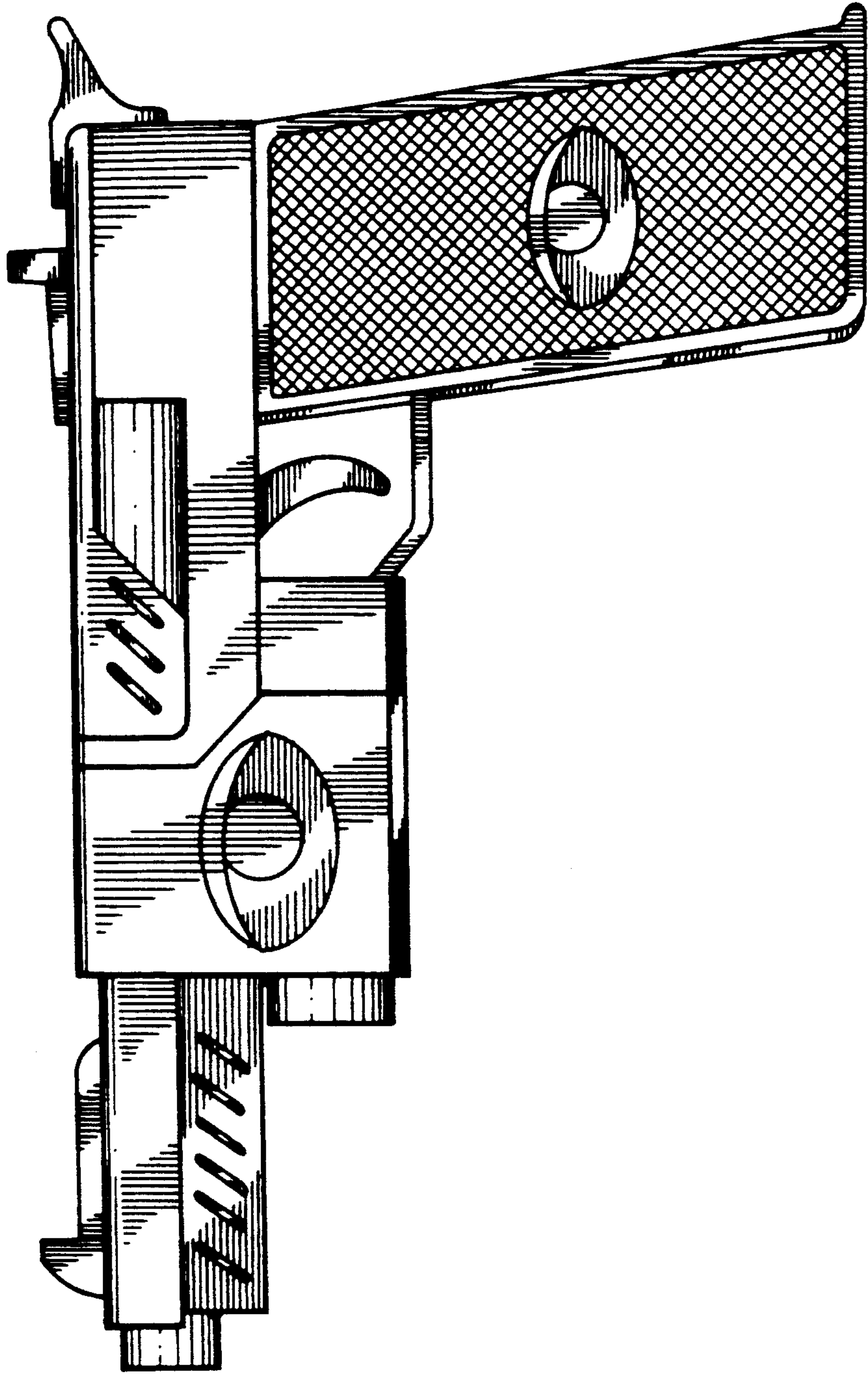


FIG. 5.



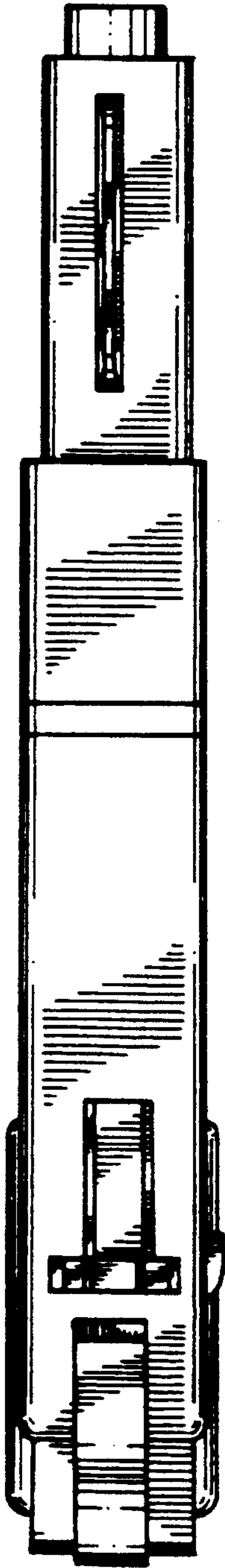


FIG. 6.

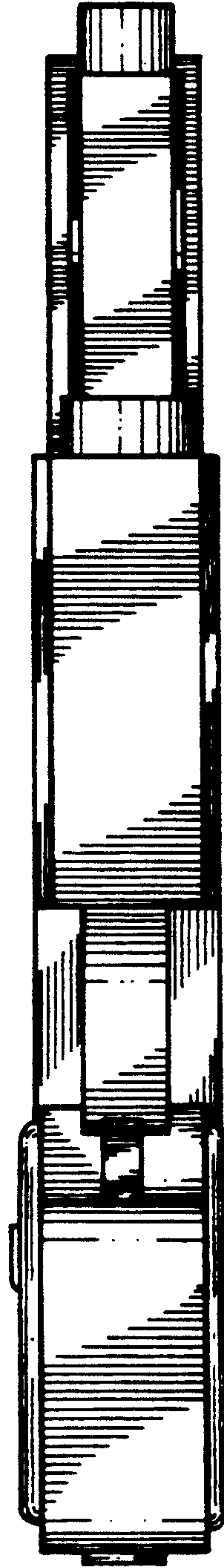


FIG. 7.