



US00D348274S

# United States Patent [19]

[11] Patent Number: **Des. 348,274**

Hallbach et al.

[45] Date of Patent: **\*\* Jun. 28, 1994**

[54] **TOOL POCKET FOR THE STORAGE OF TOOLS IN A MACHINE TOOL ASSEMBLY**

### OTHER PUBLICATIONS

Single page photocopy-tool pocket brochure of Regina Industria, s.r.l., Milan, Italy.

[75] Inventors: **Raymond L. Hallbach**, Simpsonville; **Richard A. Curless**, Greer, both of S.C.

*Primary Examiner*—Brian N. Vinson  
*Attorney, Agent, or Firm*—Thomas M. Farrell

[73] Assignee: **Cincinnati Milacron Inc.**, Cincinnati, Ohio

### [57] CLAIM

The ornamental design for a tool pocket for the storage of tools in a machine tool assembly, as shown and described.

[\*\*] Term: **14 Years**

### DESCRIPTION

[21] Appl. No.: **873,042**

FIG. 1 is a right side elevational view of a tool pocket for the storage of tools in a machine tool assembly showing our new design;

[22] Filed: **Apr. 23, 1992**

FIG. 2 is a front elevational view thereof;

[52] U.S. Cl. .... **D15/140**

FIG. 3 is a rear elevational view thereof;

[58] Field of Search ..... 483/902, 19, 20, 22, 483/36, 45, 52; D15/122, 138, 140, 199

FIG. 4 is a left side elevational view thereof;

FIG. 5 is a vertical cross-sectional view thereof, taken in the direction of line 5—5 of FIG. 2;

FIG. 6 is a top plan view thereof;

FIG. 7 is a bottom plan view thereof;

FIG. 8 is a fragmentary cross-sectional view thereof, taken along line 8—8 of FIG. 2;

FIG. 9 is a fragmentary cross-sectional view thereof, taken along line 9—9 of FIG. 3;

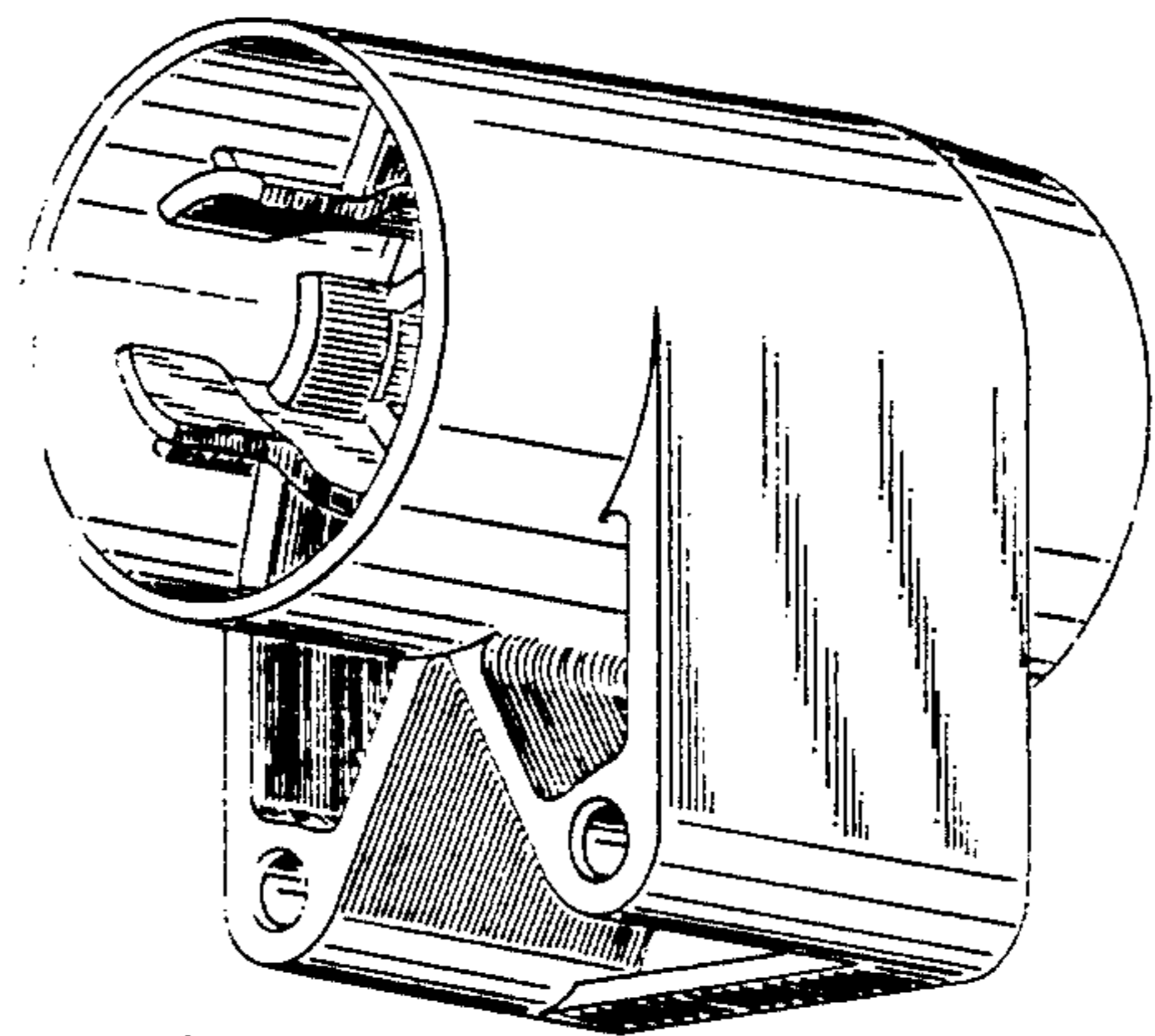
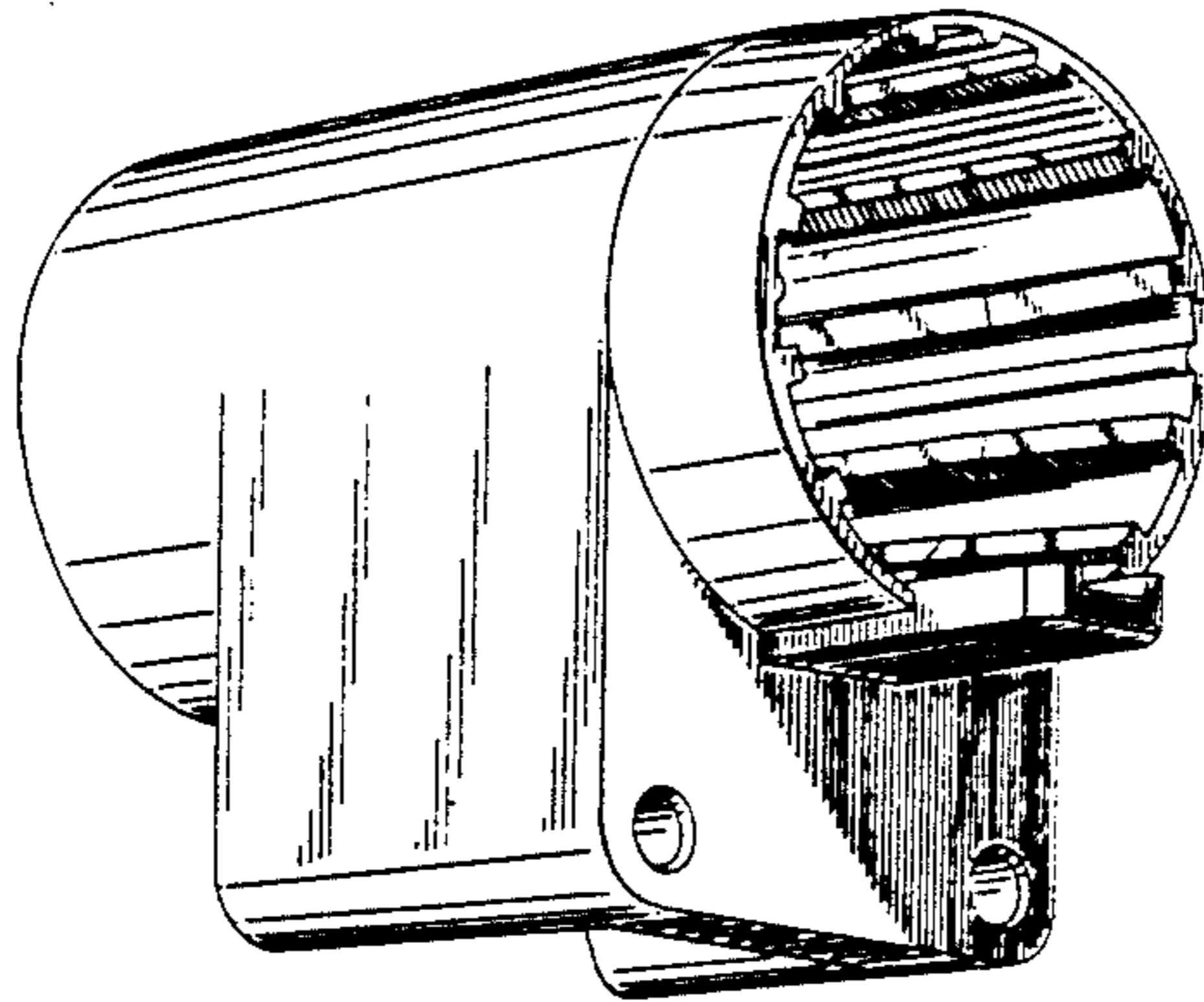
FIG. 10 is a bottom, front, and left side perspective view thereof; and,

FIG. 11 is a bottom, rear; and left side perspective view thereof.

### [56] References Cited

#### U.S. PATENT DOCUMENTS

3,277,569	10/1966	Verhoeven	29/568
3,431,635	3/1969	Balding	483/902 X
3,619,898	11/1971	Perry et al.	29/568
3,789,501	2/1974	Kurimoto et al.	29/568
3,817,541	5/1974	Grabher et al.	279/1
4,858,980	8/1989	Dreisig et al.	294/99.1



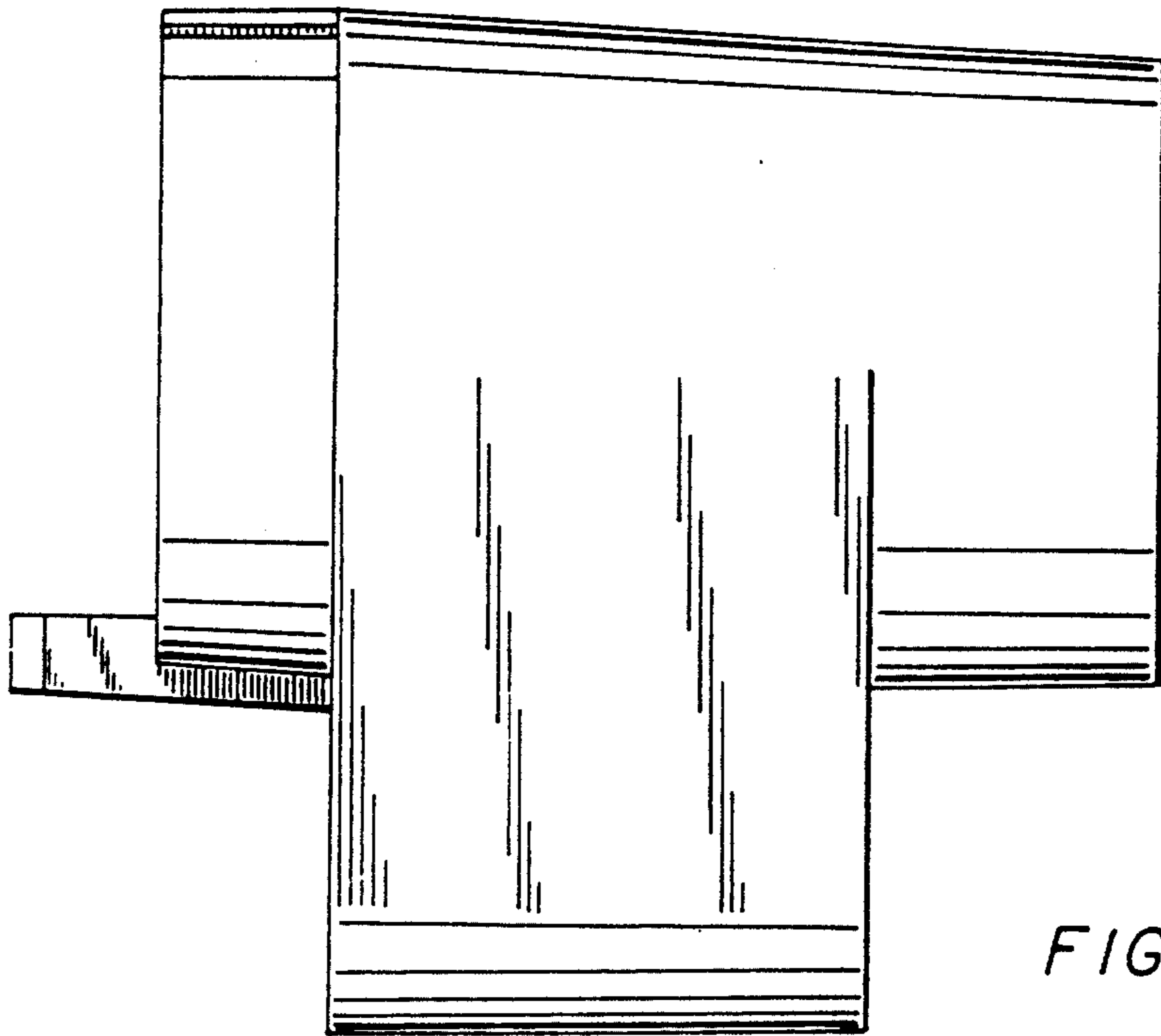
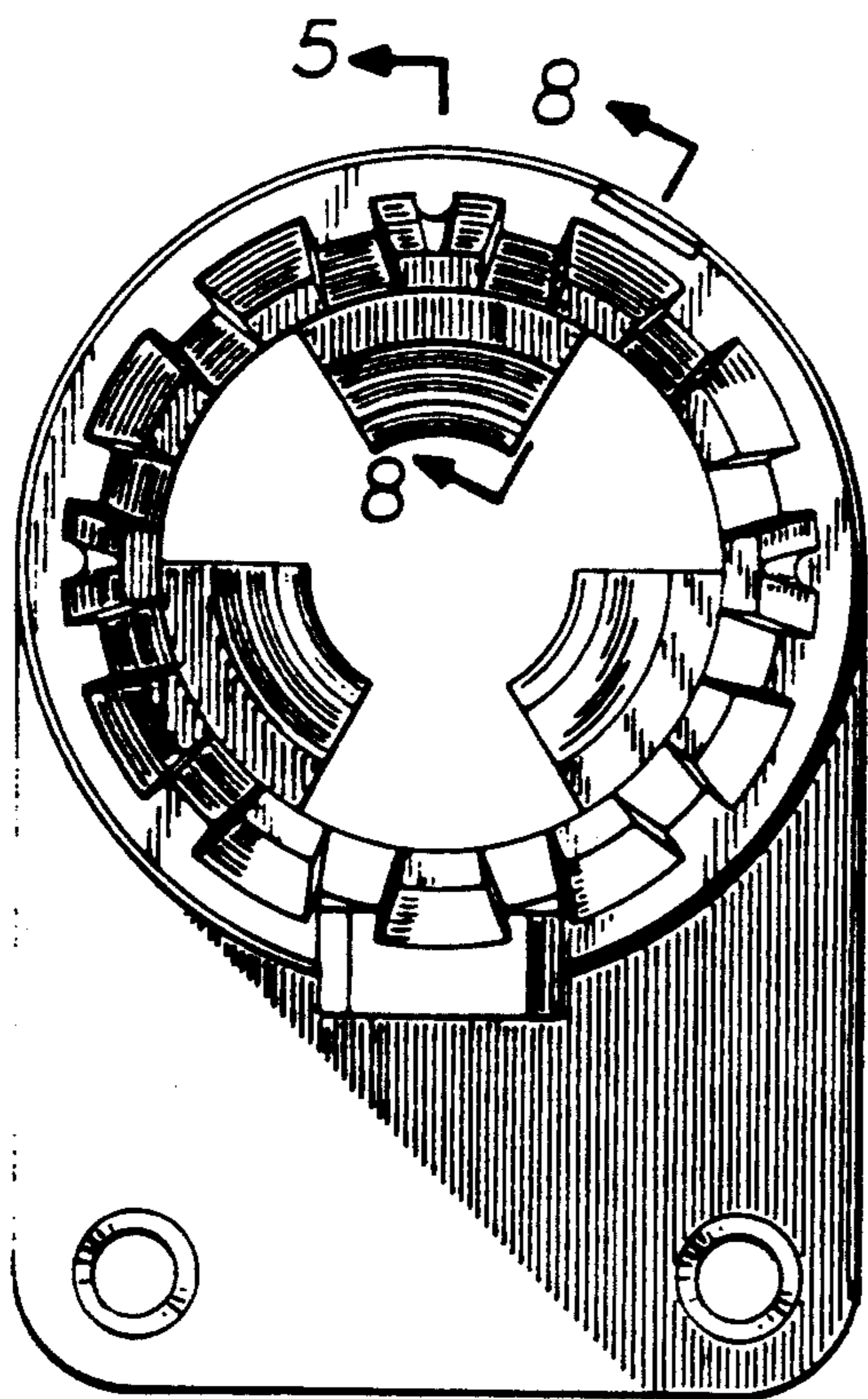
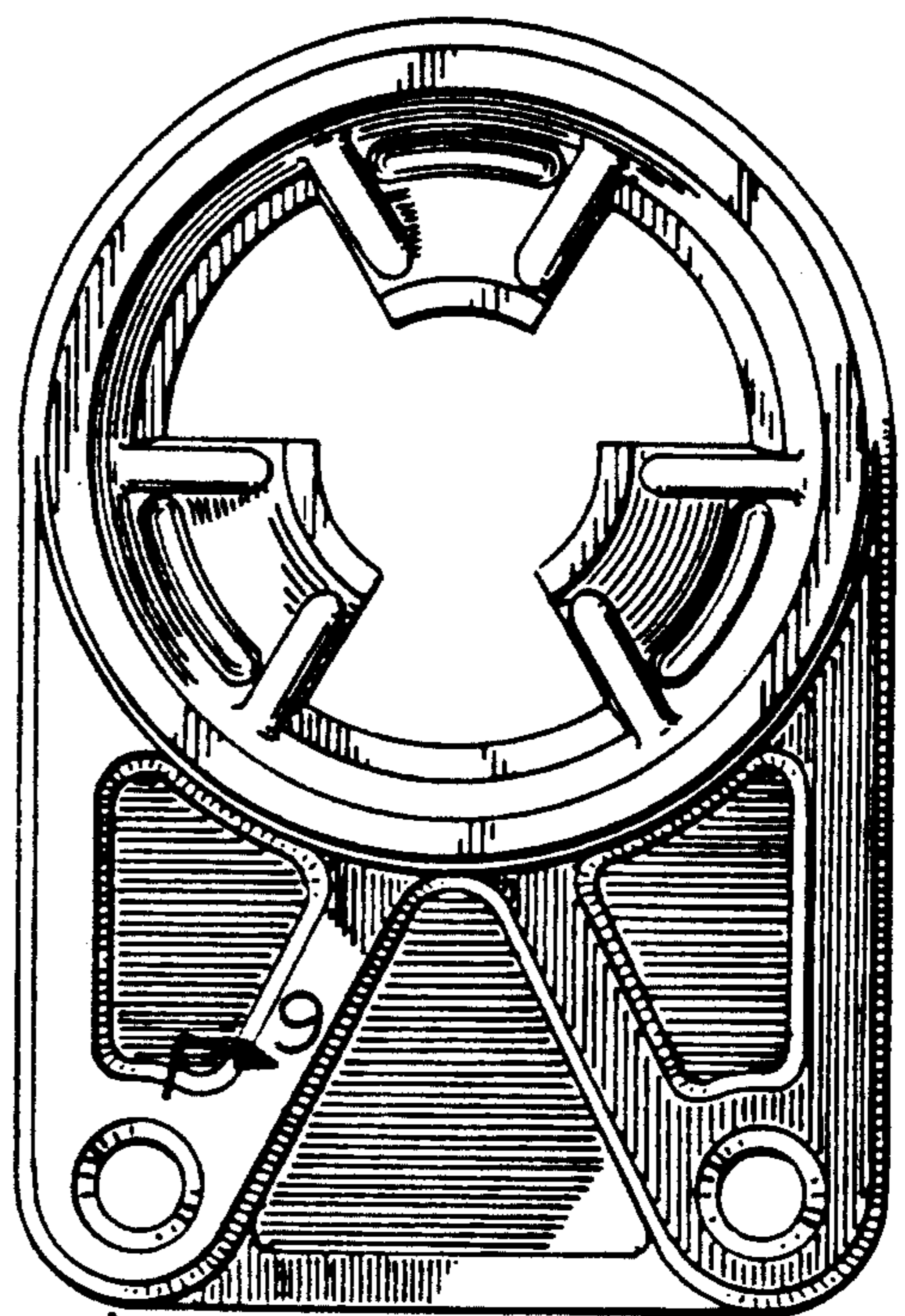


FIG. 1



5 ←

FIG. 2



9 ↙

FIG. 3

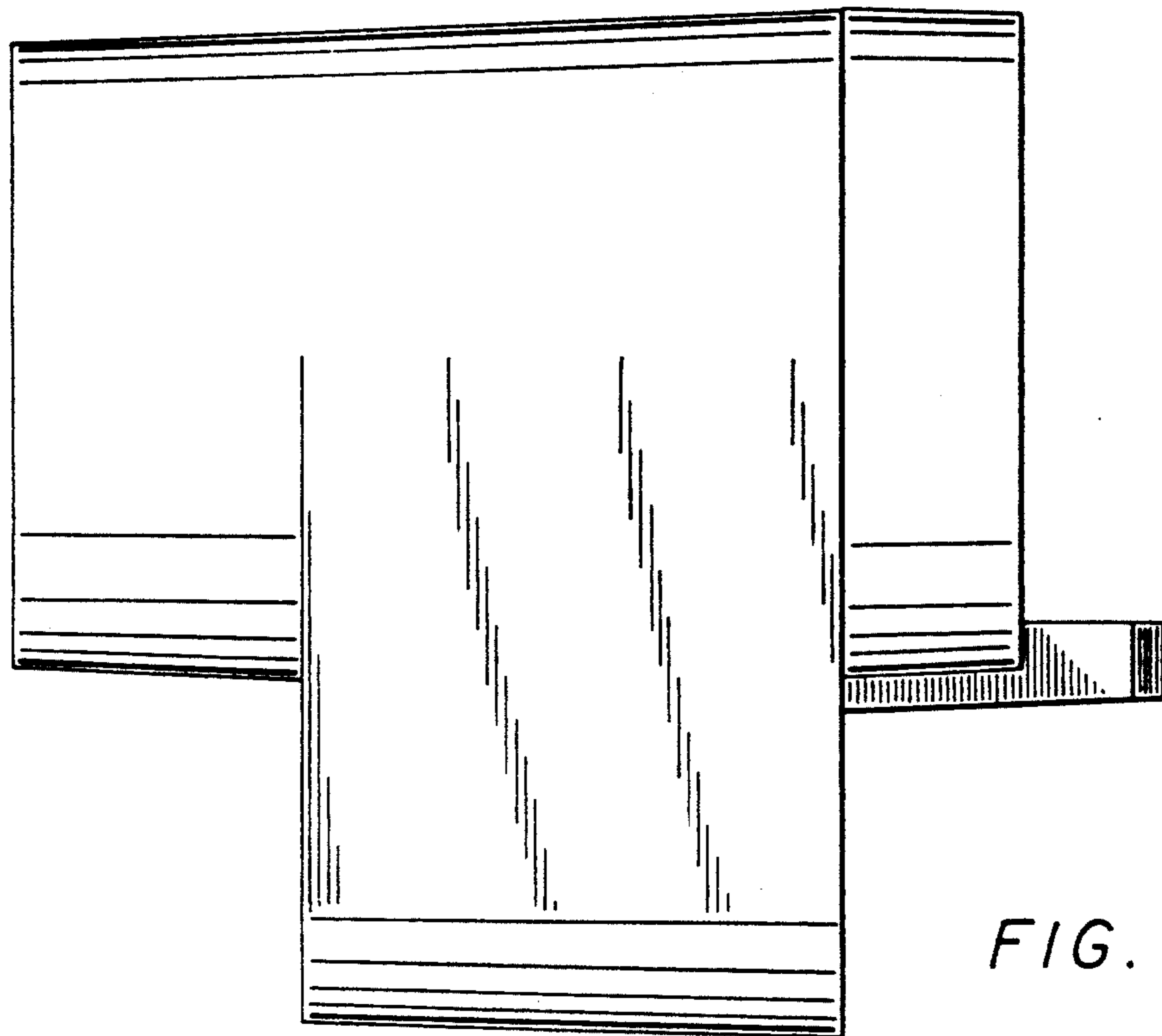


FIG. 4

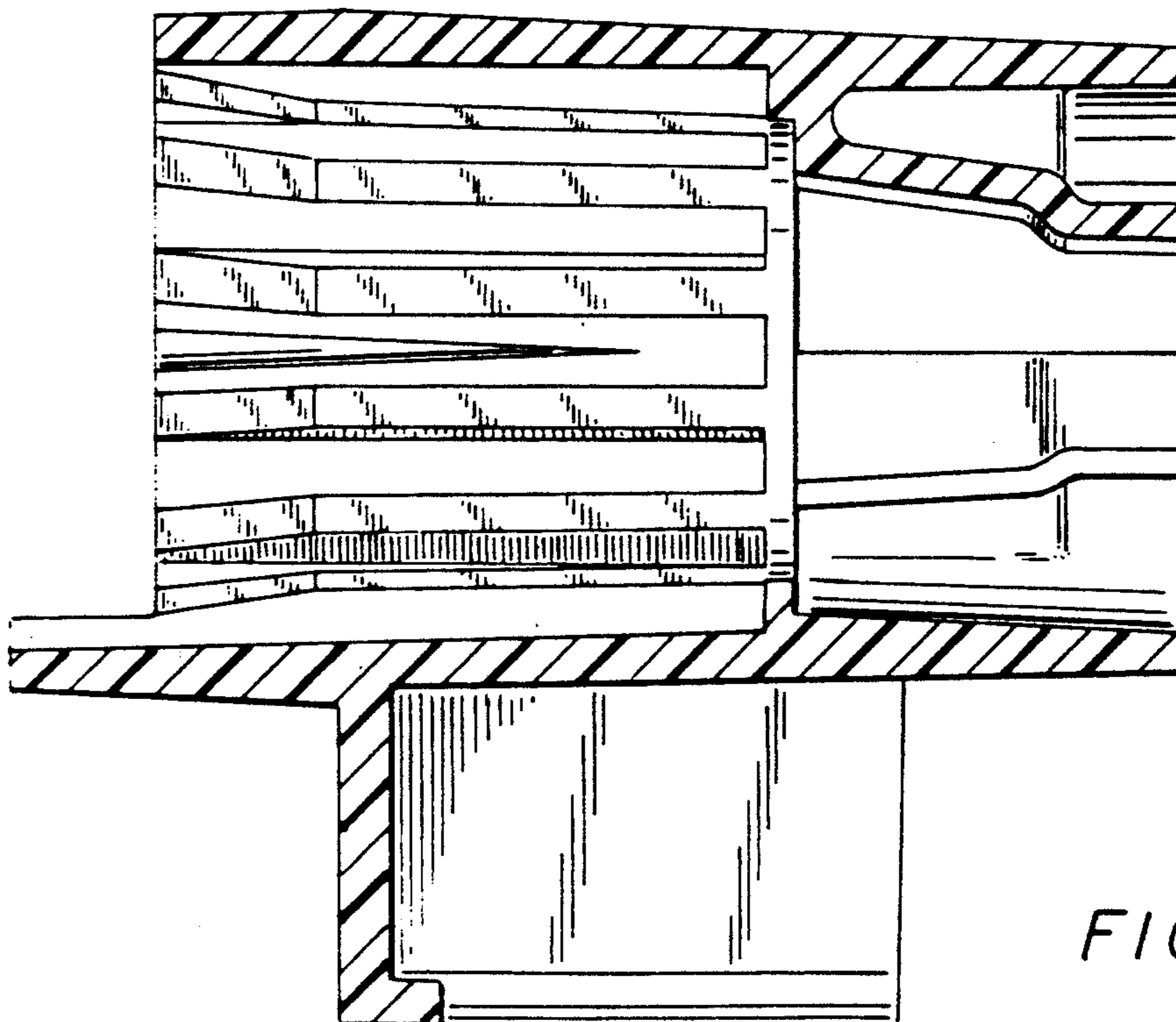


FIG. 5



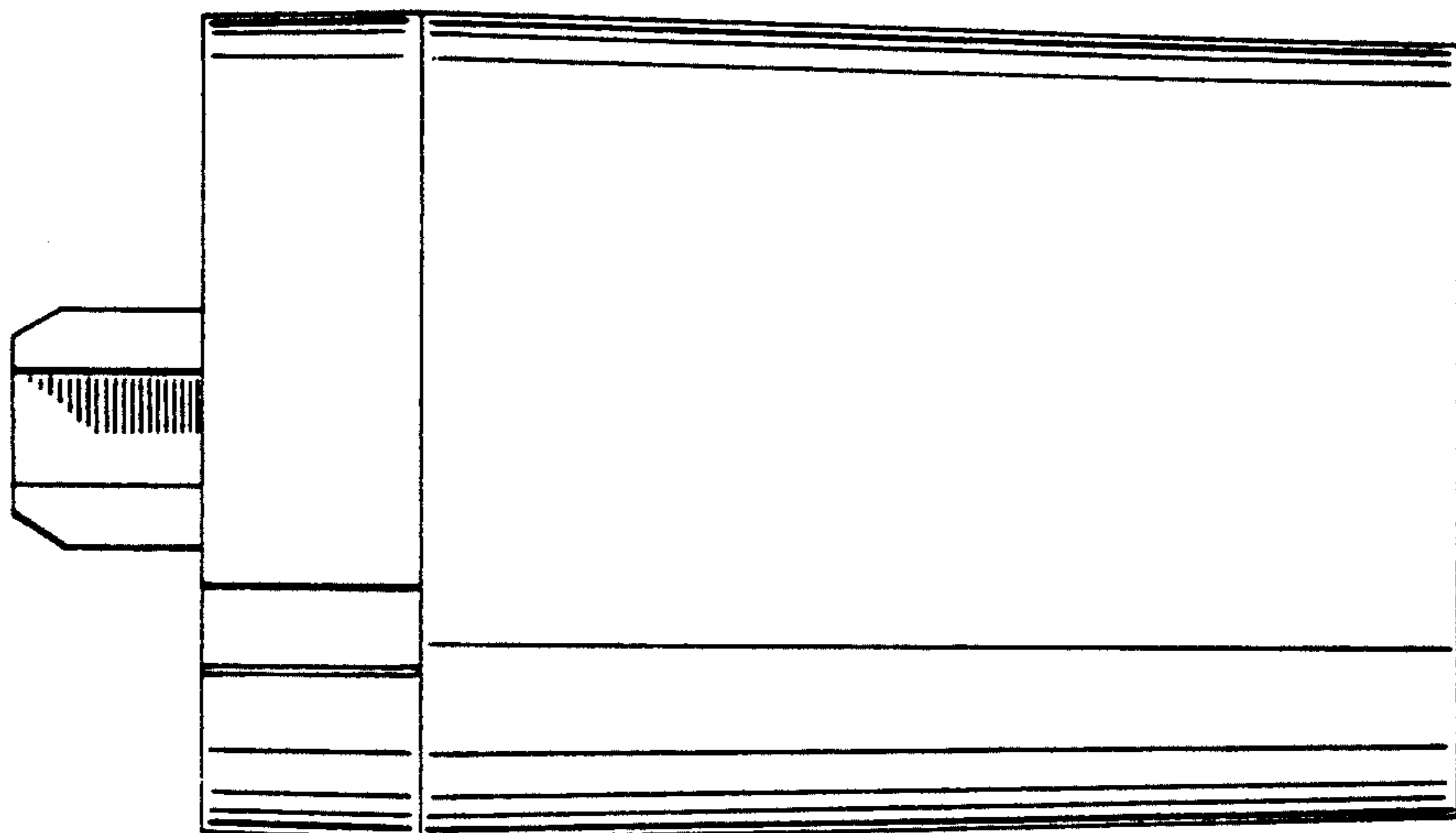


FIG. 6

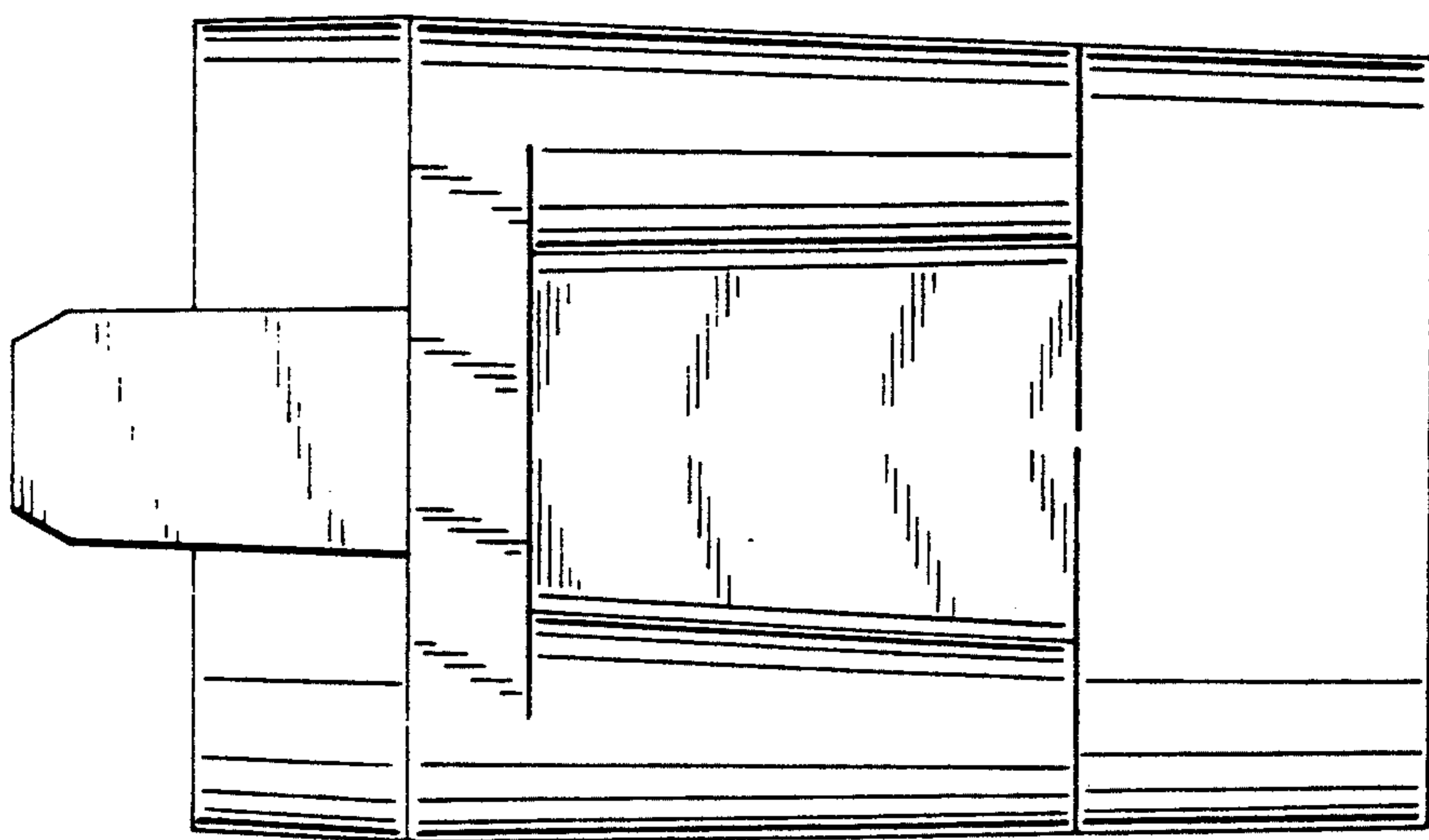


FIG. 7



FIG. 8

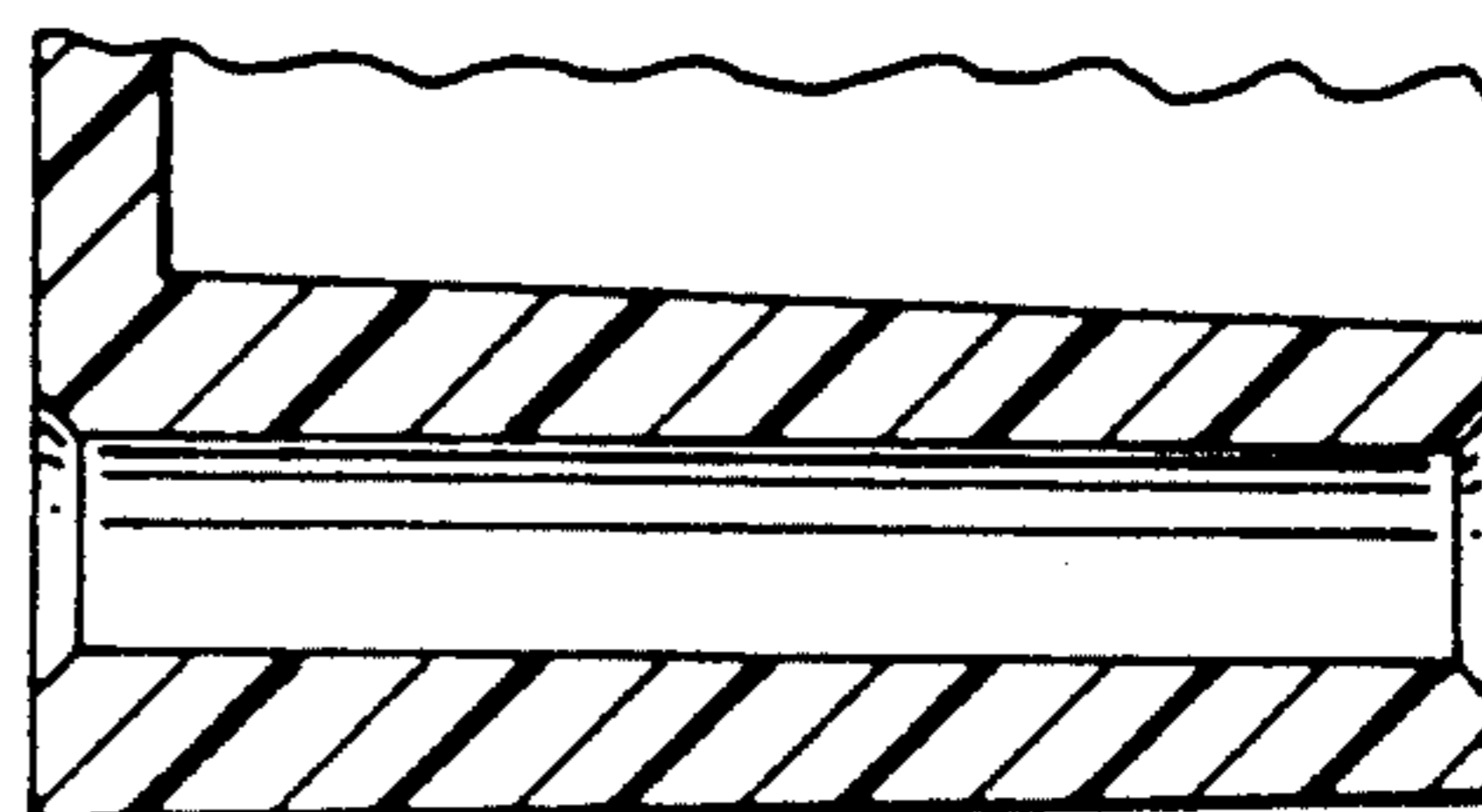


FIG. 9

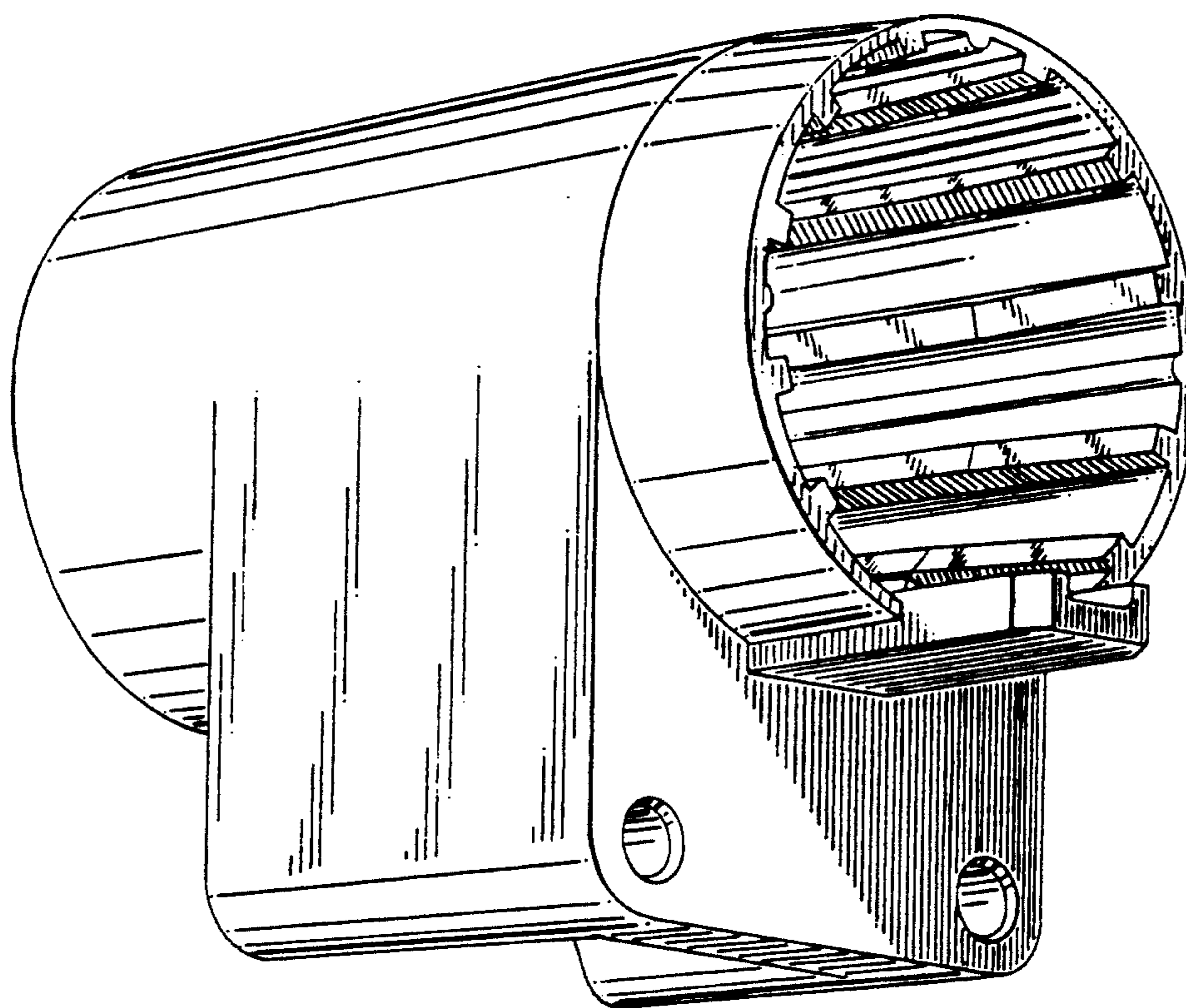


FIG. 10

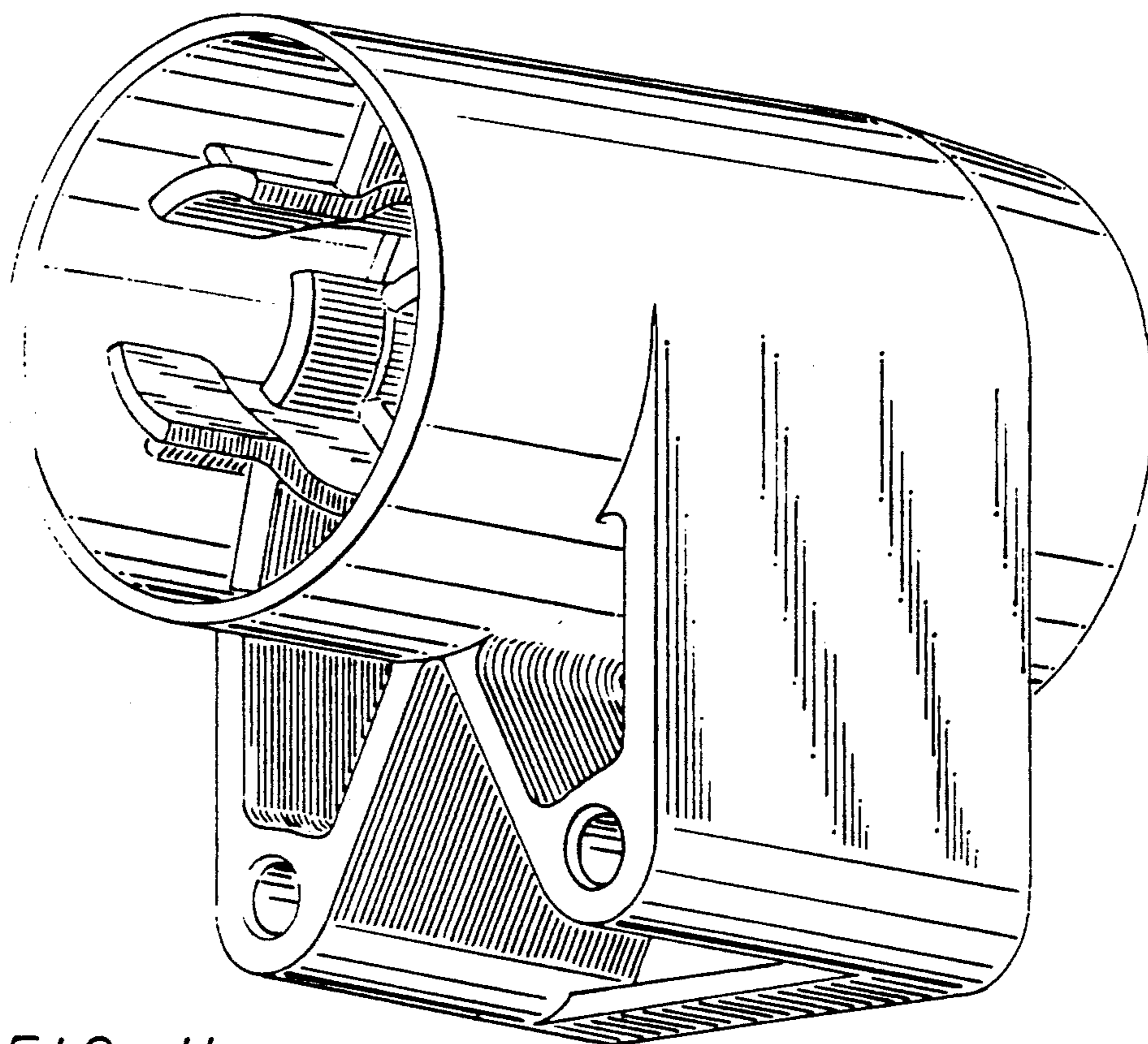


FIG. 11