



US00D348272S

United States Patent [19] Brickner

[11] Patent Number: **Des. 348,272**

[45] Date of Patent: **** Jun. 28, 1994**

[54] **COMPOUND MITER SAW**

5,199,343 4/1993 O'Banion 83/471.2 X

[75] Inventor: **Louis C. Brickner, Pittsburgh, Pa.**

OTHER PUBLICATIONS

[73] Assignee: **Delta International Machinery Corp., Pittsburgh, Pa.**

Delta 10" Compound Miter Saw (Model 36-220) Instruction Manual, Jan. 4, 1991.

[**] Term: **14 Years**

Primary Examiner—Nelson C. Holtje
Assistant Examiner—Antoine D. Davis
Attorney, Agent, or Firm—Merchant, Gould, Smith, Edell, Welter & Schmidt

[21] Appl. No.: **854,314**

[22] Filed: **Mar. 25, 1992**

[57] CLAIM

[52] U.S. Cl. **D15/133**

The ornamental design for a compound miter saw, as shown and described.

[58] Field of Search 83/471.1, 471.2, 471.3, 83/477, 381, 397, 776-780, 468.3; D15/133

[56] References Cited

DESCRIPTION

U.S. PATENT DOCUMENTS

D. 295,823	5/1988	Brickner et al.	D15/133
D. 317,110	5/1991	Archart .	
D. 324,055	2/1992	Sakai et al.	D15/133
D. 331,416	12/1992	Fushiya et al.	D15/133
D. 333,824	3/1993	Suzuki et al.	D15/133
D. 334,576	4/1993	Kawakami et al.	D15/133
D. 336,652	6/1993	Archart	D15/133
3,821,918	7/1974	Nichaus et al.	D15/133 X
4,934,233	6/1990	Brundage et al. .	
5,129,300	7/1992	Kawakami	83/471.2

FIG. 1 is a top, front and left side perspective view of a compound miter saw showing our new design; FIG. 2 is a front elevational view thereof; FIG. 3 is a rear elevational view thereof; FIG. 4 is a left side elevational view thereof; FIG. 5 is a right side elevational view thereof; FIG. 6 is a top plan view thereof; FIG. 7 is a bottom plan view thereof; and, FIG. 8 is a top, front and left side perspective view of a preferred embodiment thereof including table extension, stock stop, work clamp, and dust bag accessories.

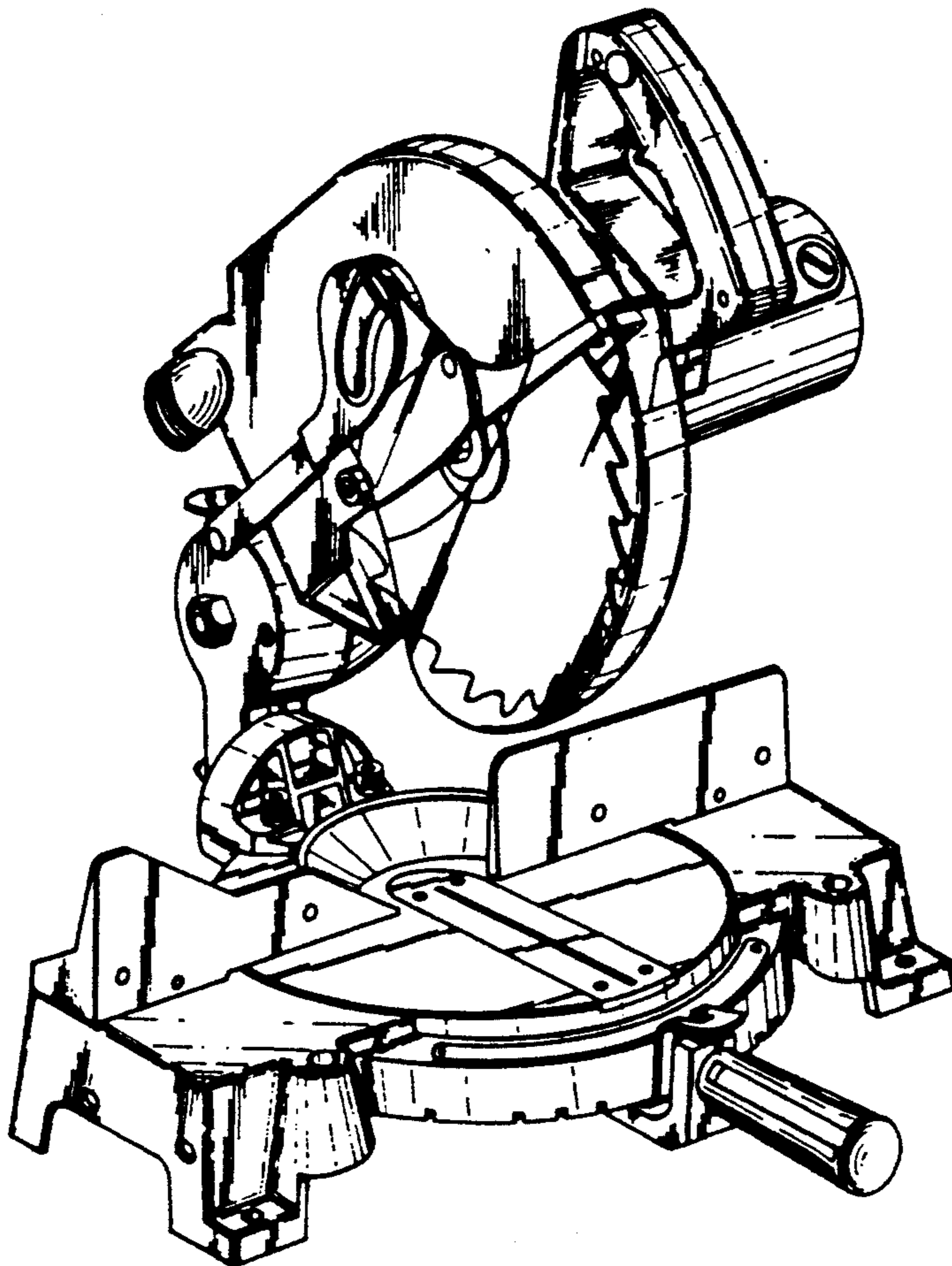


FIG. 1

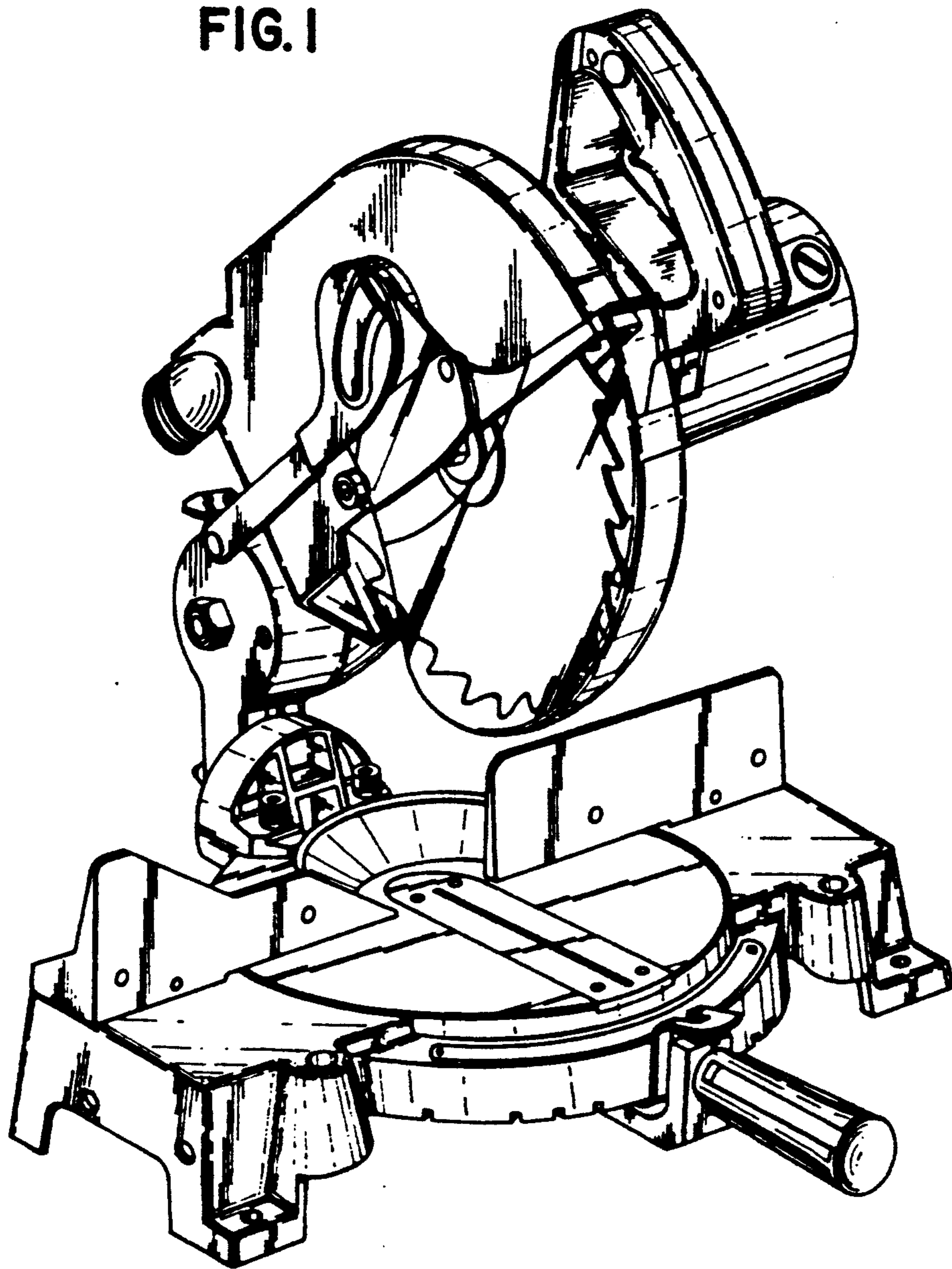


FIG. 2

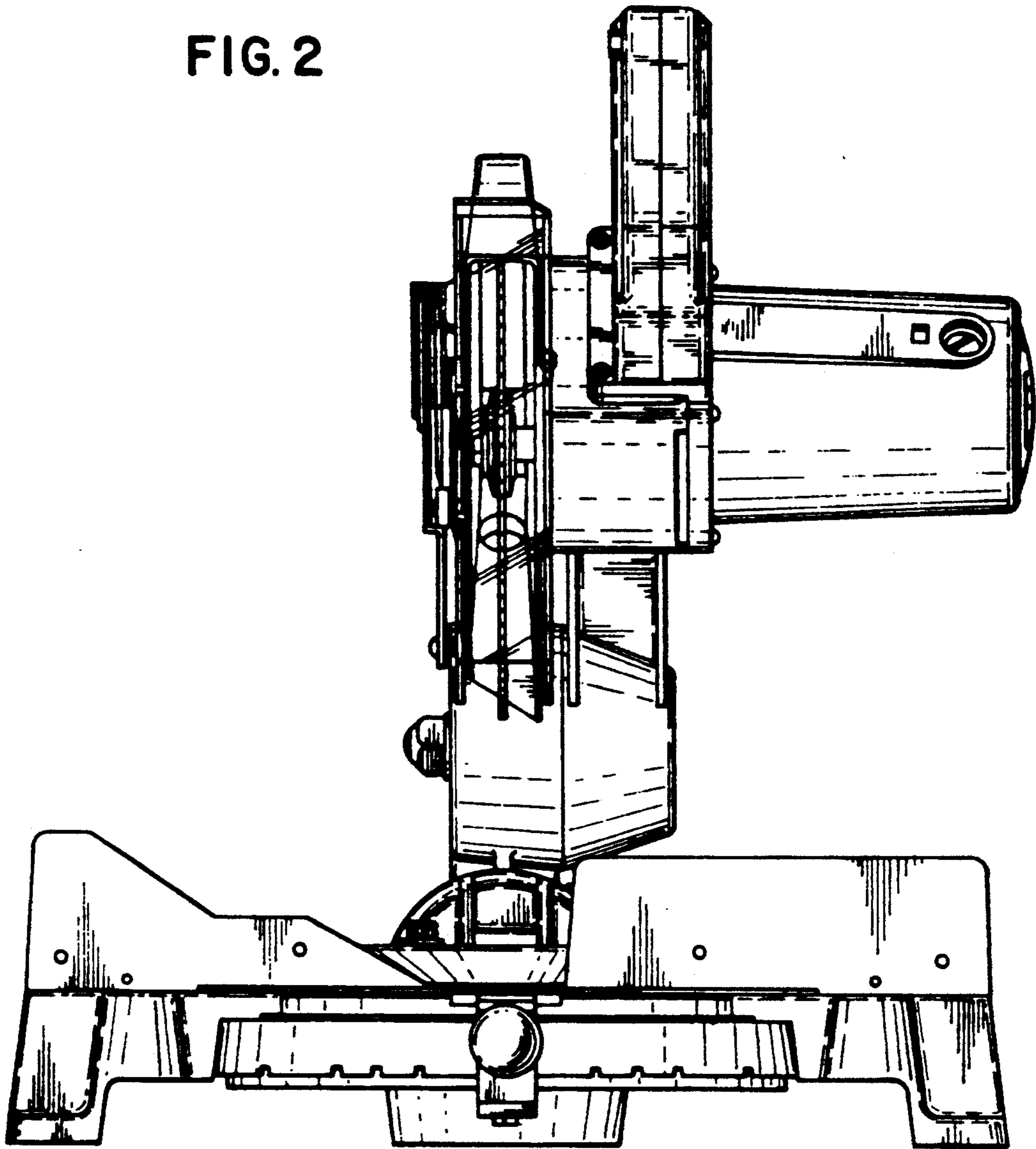
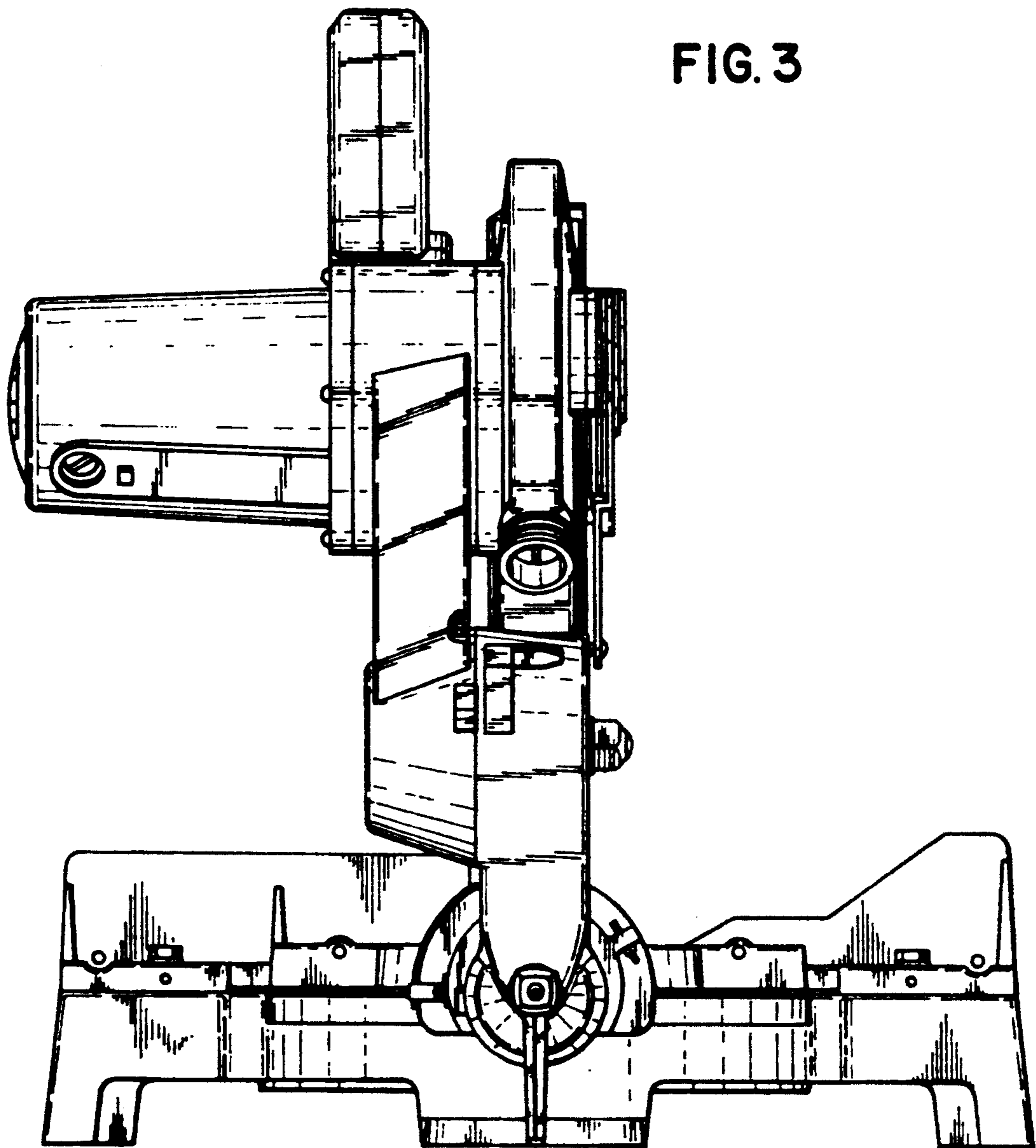


FIG. 3



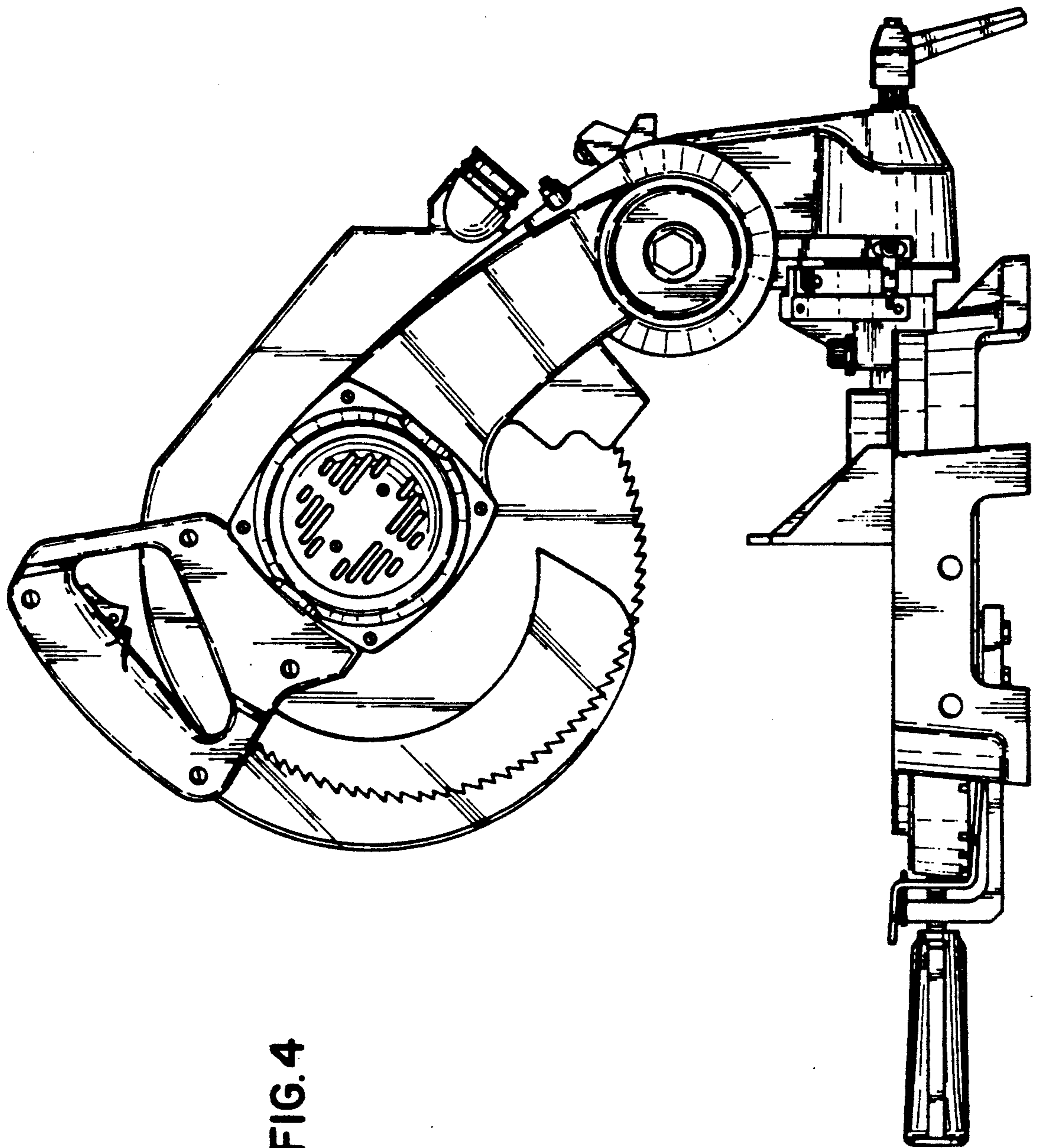


FIG. 4

FIG. 5

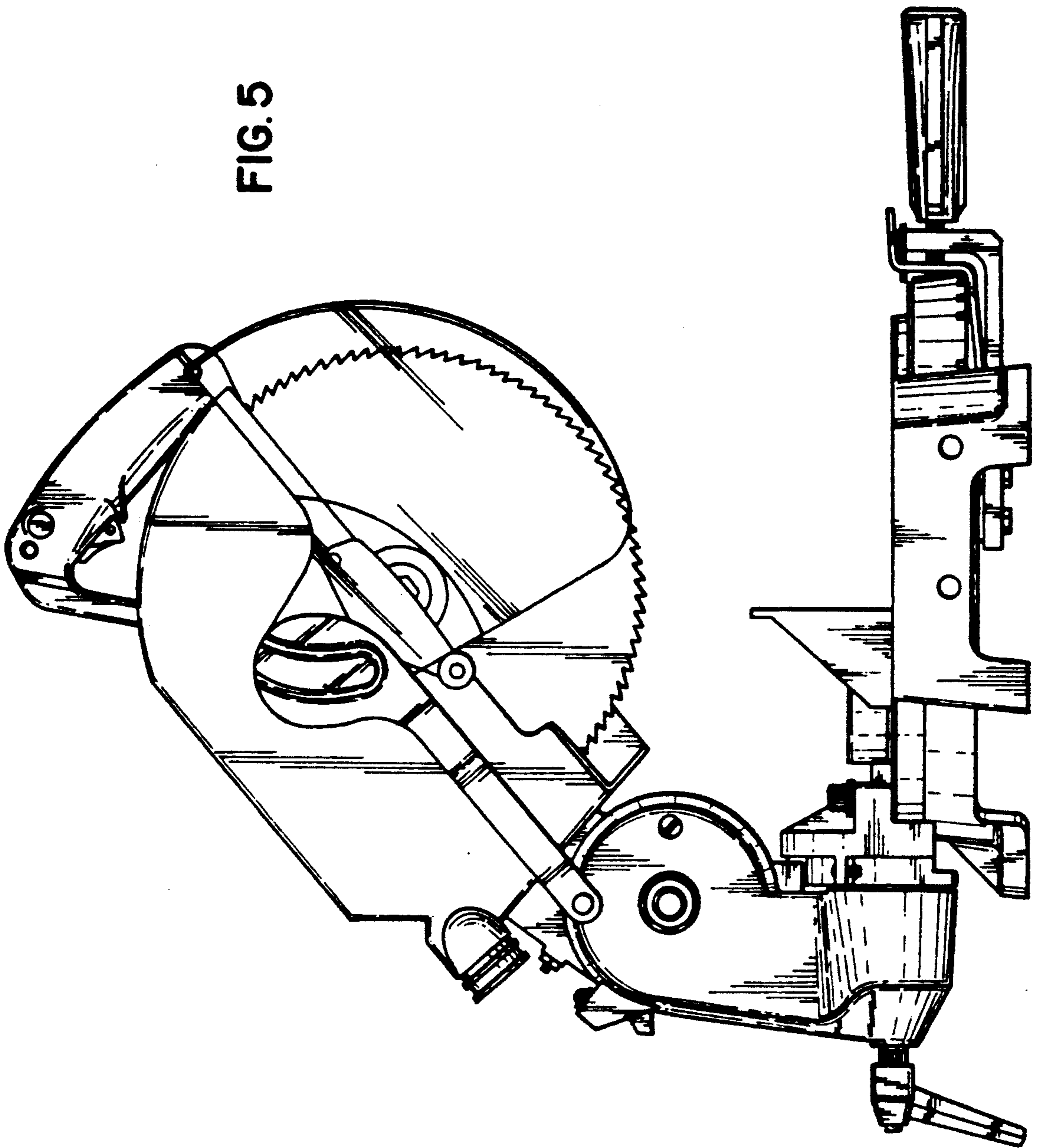


FIG. 6

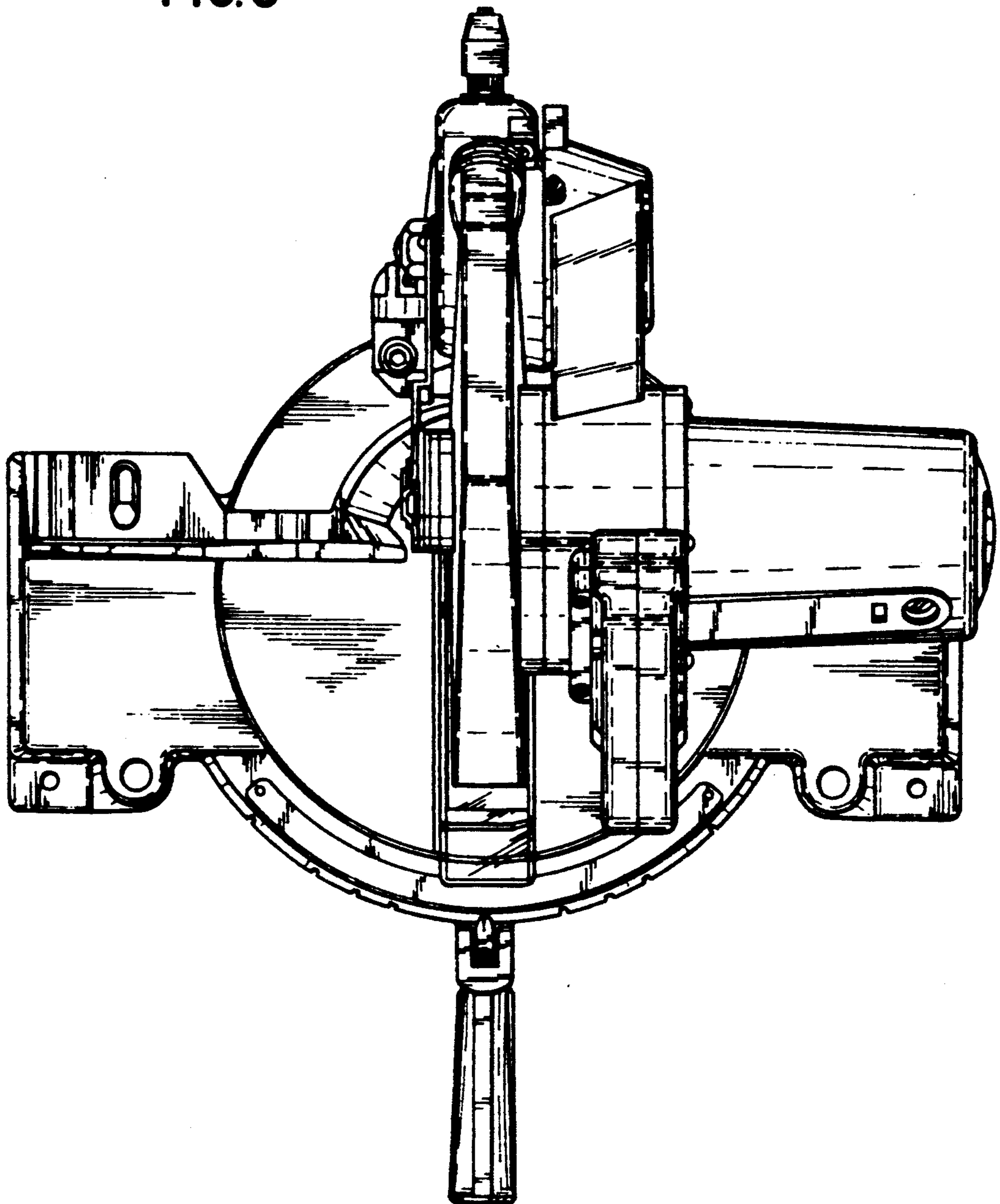
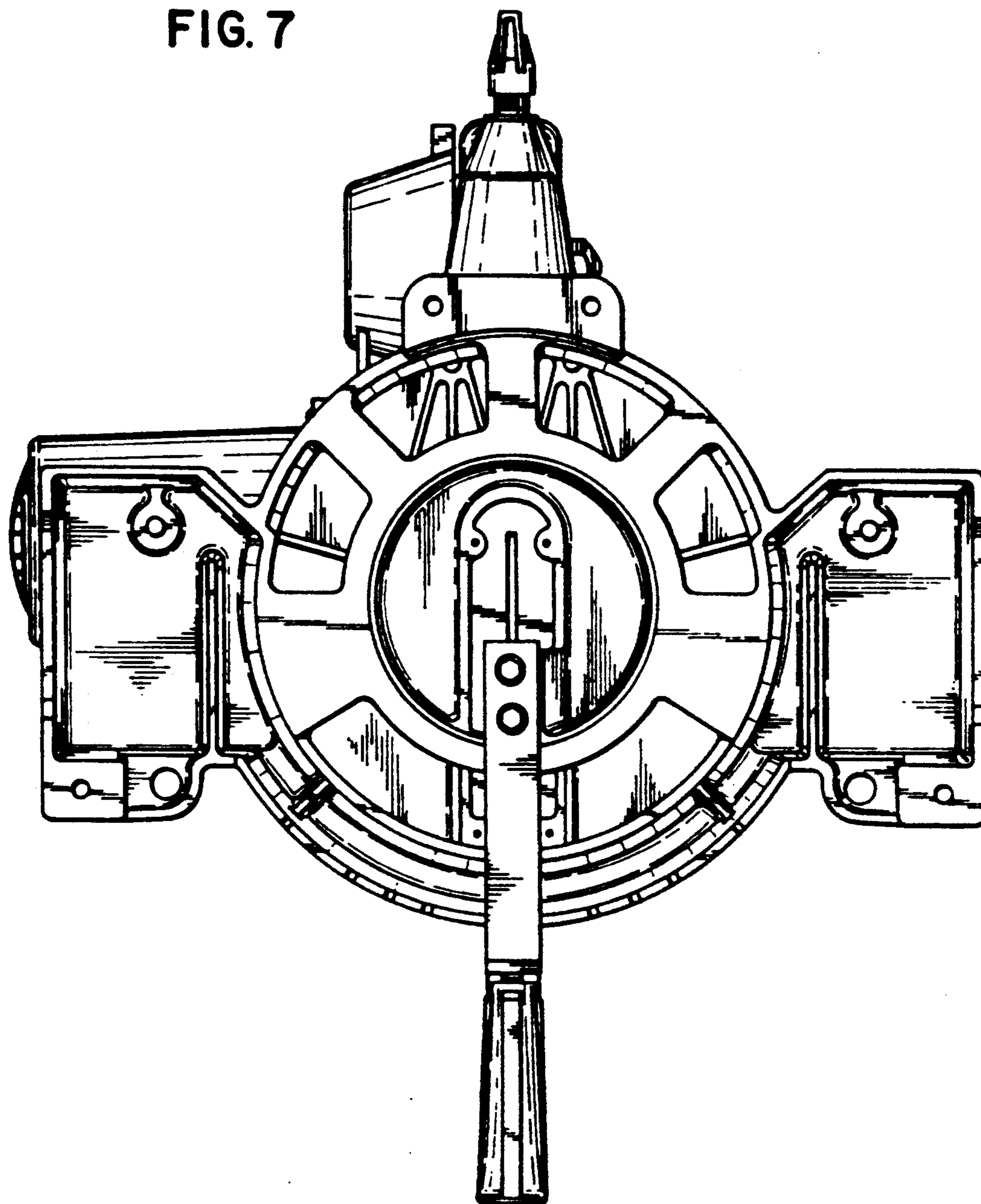


FIG. 7



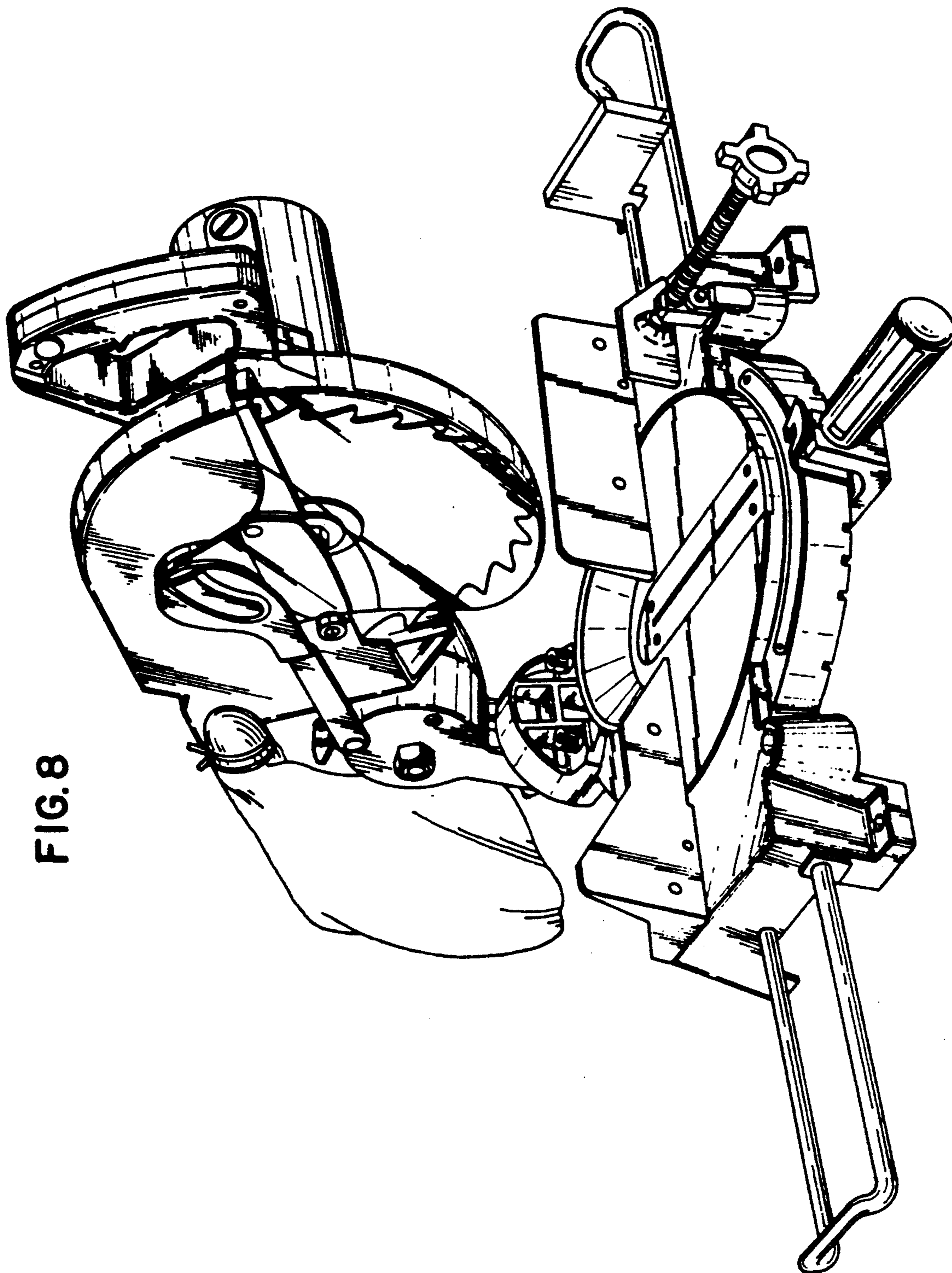


FIG. 8