



US00D348271S

United States Patent [19] Mori

[11] Patent Number: **Des. 348,271**
[45] Date of Patent: **** Jun. 28, 1994**

[54] DISK CUTTER

[75] Inventor: **Chuzo Mori, Tokyo, Japan**
[73] Assignee: **Carl Jimuki Kabushiki Kaisha, Tokyo, Japan**
[**] Term: **14 Years**
[21] Appl. No.: **2,966**
[22] Filed: **Dec. 23, 1992**

[30] Foreign Application Priority Data
Aug. 12, 1992 [JP] Japan 4-24207
[52] U.S. Cl. **D15/127; D15/129**
[58] Field of Search 83/455, 560, 613-622;
D15/127, 129

[56] References Cited
U.S. PATENT DOCUMENTS
D. 172,910 8/1954 Vennell D15/127 X
D. 322,974 1/1992 Mori .
4,373,412 2/1983 Gerber et al. D15/127 X
4,440,055 4/1984 Gelfand 83/614 X
5,069,097 12/1991 Mori 83/614 X
5,103,710 4/1992 Ross 83/614 X

FOREIGN PATENT DOCUMENTS

2177-1993 4/1989 Rep. of Korea .
2176-1993 9/1989 Rep. of Korea .

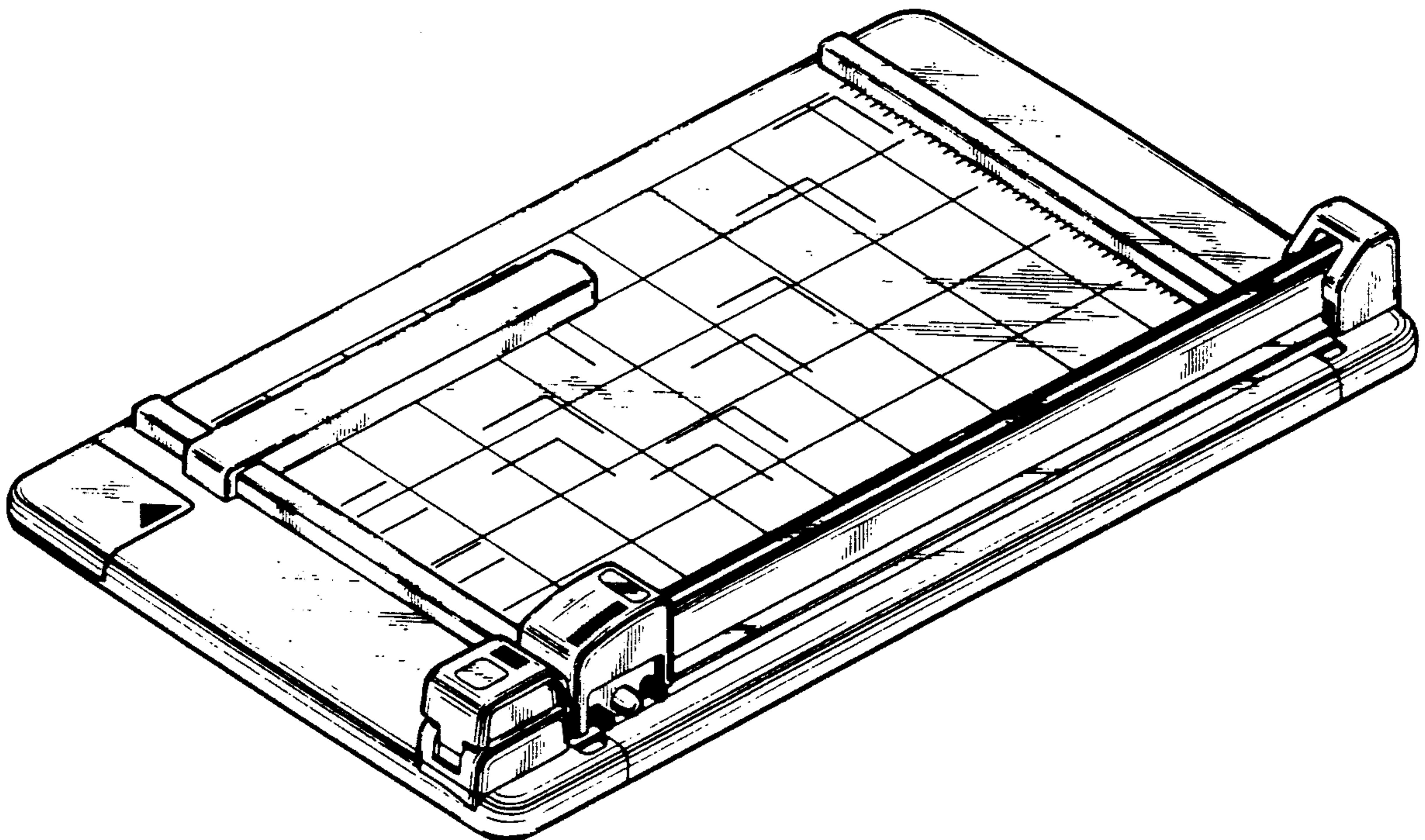
Primary Examiner—Alan P. Douglas
Assistant Examiner—Antoine D. Davis

[57] CLAIM

The ornamental design for a disk cutter, as shown and described.

DESCRIPTION

FIG. 1 is a front, top and right side perspective view of my ornamental design for a disk cutter;
FIG. 2 is a front view of the disk cutter of FIG. 1;
FIG. 3 is a rear view of the disk cutter of FIG. 1;
FIG. 4 is a plan view of the disk cutter of FIG. 1;
FIG. 5 is a bottom view of the disk cutter of FIG. 1;
FIG. 6 is a right side view of the disk cutter of FIG. 1;
FIG. 7 is a left side view of the disk cutter of FIG. 1;
FIG. 8 is a front, top and right side perspective view of the disk cutter of FIG. 1 showing a state in which a lock mean is released; and,
FIG. 9 is a front, top and right side perspective view of the disk cutter of FIG. 1 showing a state in which a sheet of paper is cut by the disk cutter.
The broken line showing of a sheet of paper is for illustrative purposes only and forms no part of the claimed design.



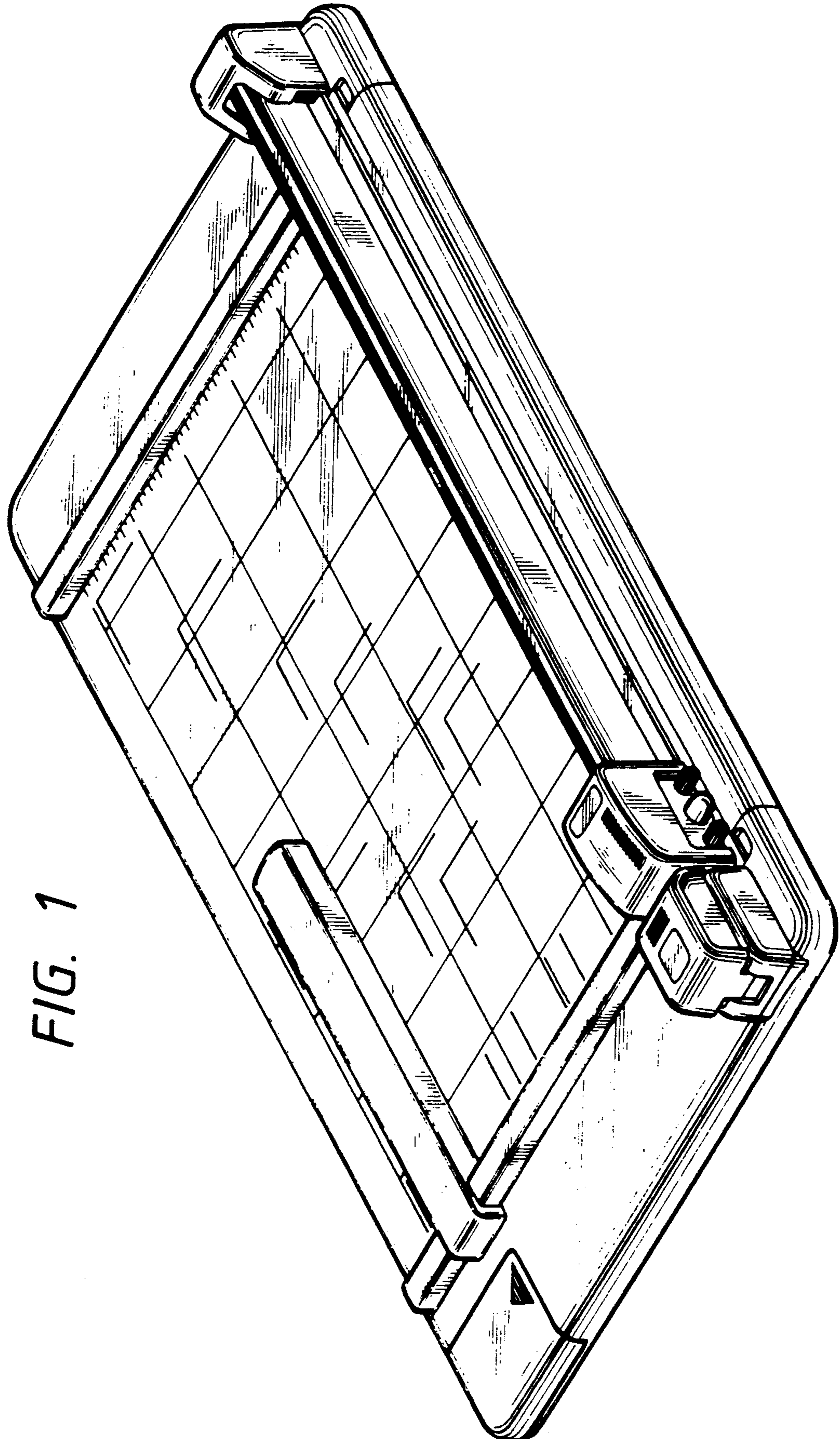


FIG. 1

FIG. 2

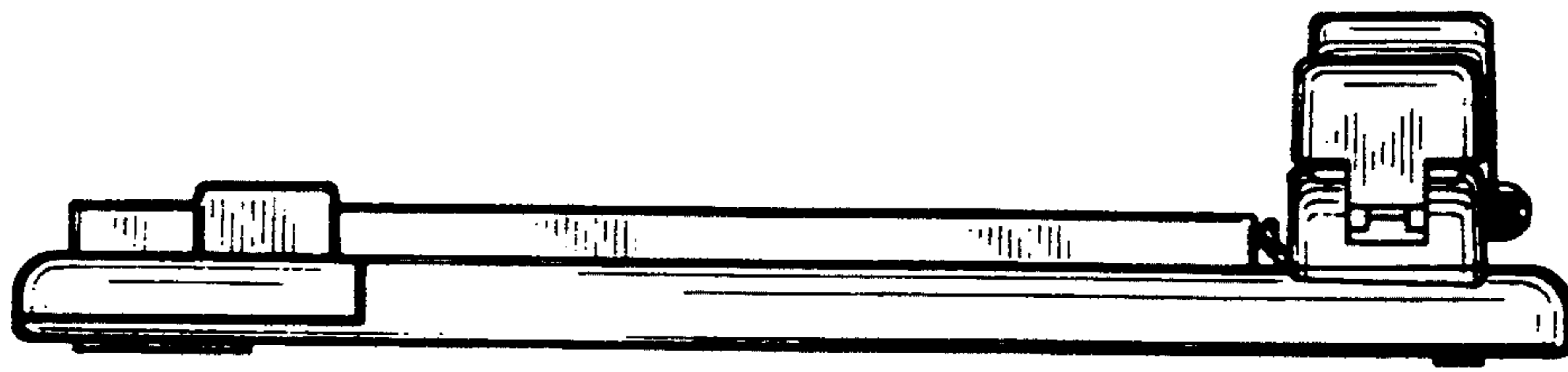


FIG. 3

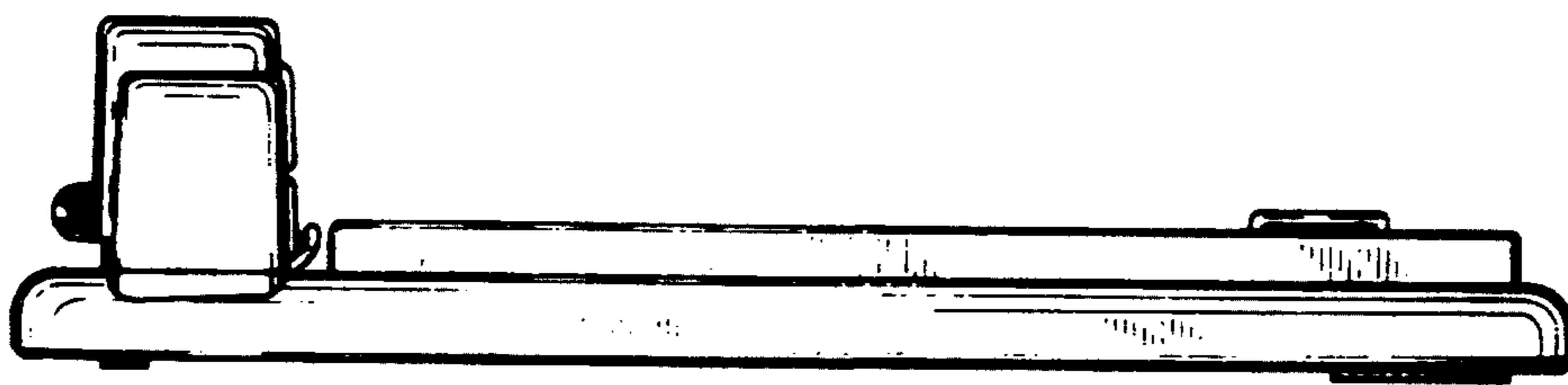


FIG. 4

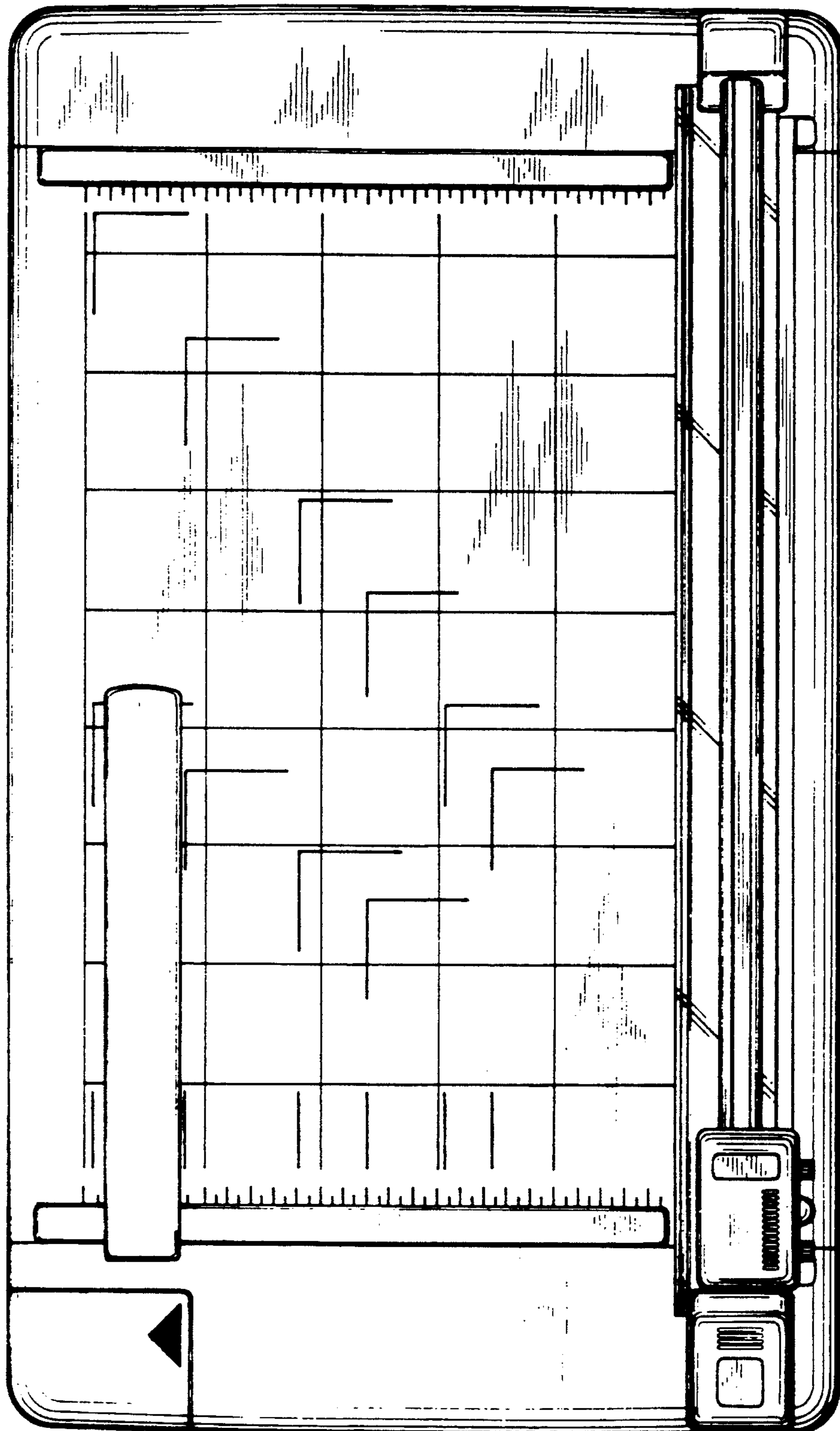


FIG. 5

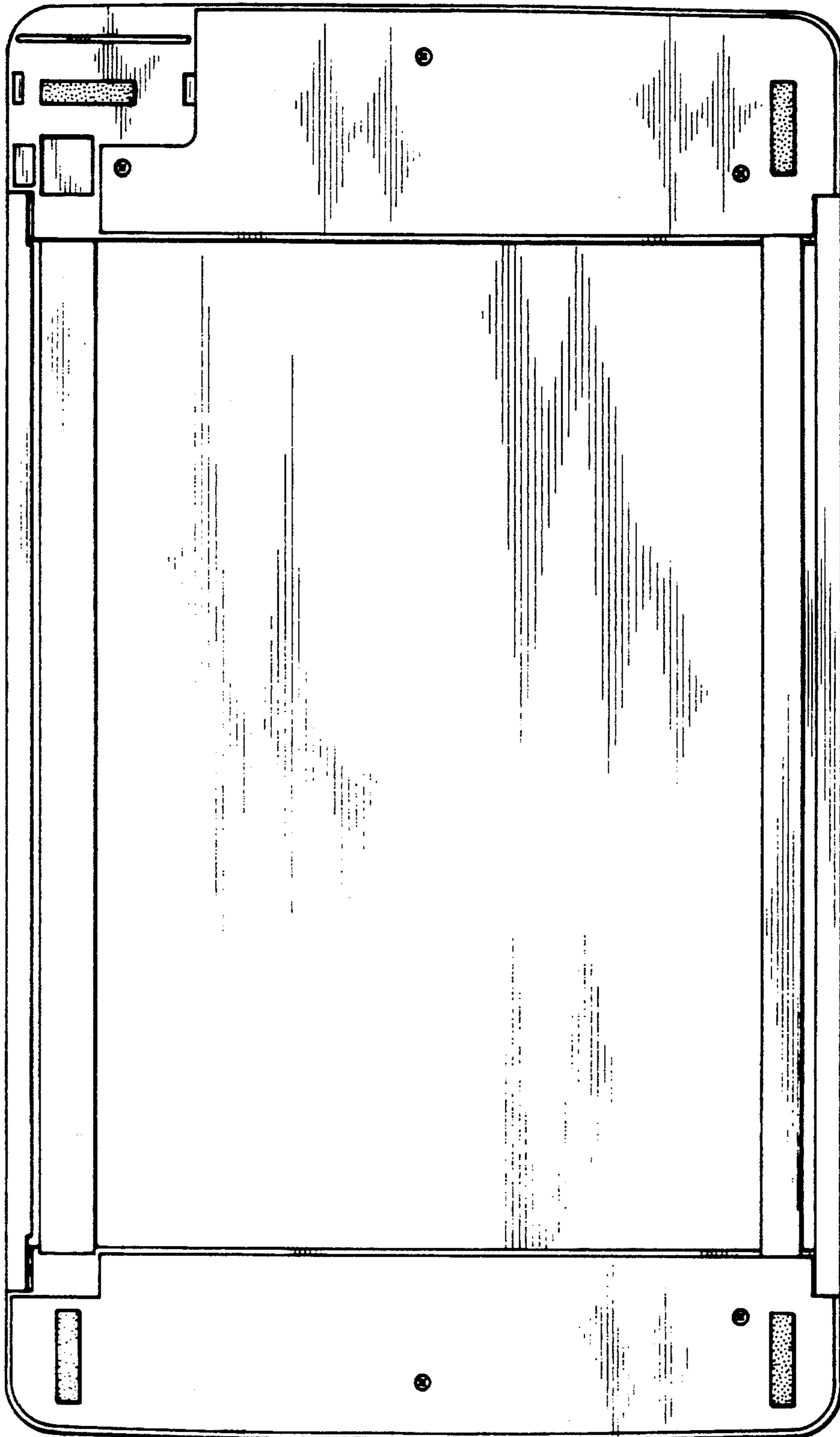


FIG. 6

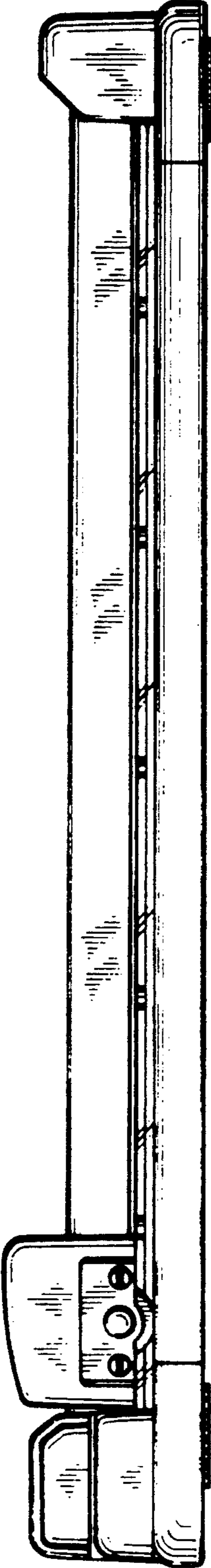
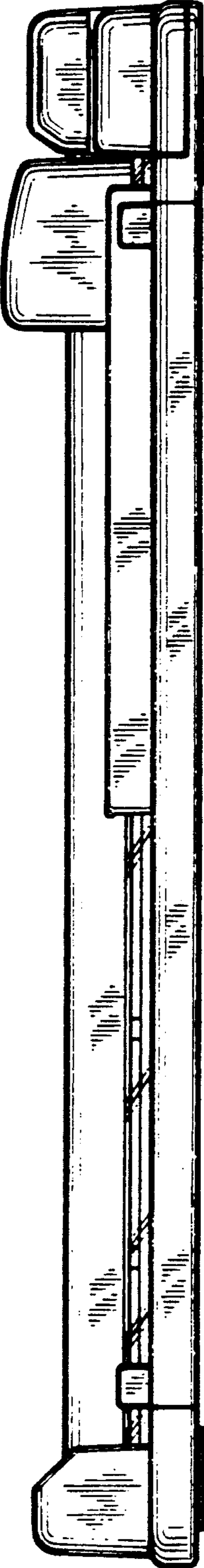


FIG. 7



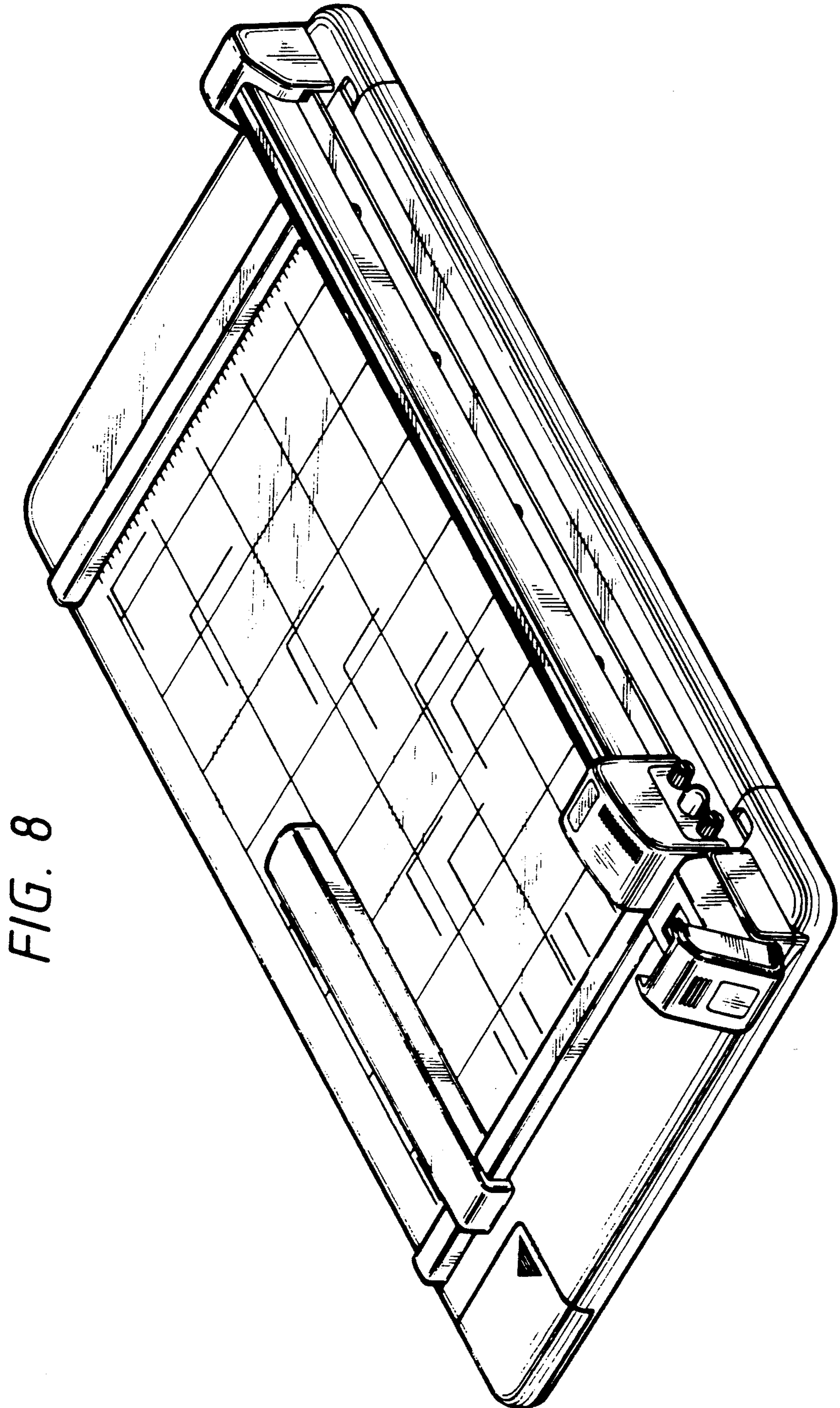


FIG. 8

FIG. 9

