



US00D348269S

**United States Patent** [19]  
**Chong**

[11] **Patent Number: Des. 348,269**

[45] **Date of Patent: \*\* Jun. 28, 1994**

[54] **THREE-WAY CALL DETECTOR RACK**

[75] **Inventor: Edward U. Chong, Davie, Fla.**

[73] **Assignee: Communication Equipment & Engineering Company, Plantation, Fla.**

[\*\*] **Term: 14 Years**

[21] **Appl. No.: 5,151**

[22] **Filed: Feb. 24, 1993**

[52] **U.S. Cl. .... D14/240; D13/184**

[58] **Field of Search .... 379/440, 441, 420; 361/641, 658, 673, 679, 724, 728, 730, 825; 174/67, 50, 52.1; D14/240, 107, 109, 140, 241; D13/184, 199, 164**

[56] **References Cited**

**U.S. PATENT DOCUMENTS**

D. 218,609	9/1970	Charles .....	D13/184
D. 316,546	4/1991	Pedinielli et al. ....	D14/107
D. 335,280	5/1993	Schoemer .....	D13/184
D. 337,770	7/1993	Johnson .....	D13/184 X
2,577,101	12/1951	Ball et al. ....	361/825 X
4,002,955	1/1977	Eggert et al. ....	361/679 X

4,967,155 10/1990 Magnuson ..... 361/724 X

*Primary Examiner*—Nelson C. Holtje  
*Assistant Examiner*—Jeffrey Asch  
*Attorney, Agent, or Firm*—Mason, Kolehmainen, Rathburn & Wyss

[57] **CLAIM**

The ornamental design for a three-way detector rack, as shown.

**DESCRIPTION**

FIG. 1 is a perspective view of a three-way call detector rack showing my new design; FIG. 2 is a front elevational view of the three-way call detector rack; FIG. 3 is a rear elevational view of the three-way call detector rack; FIG. 4 is a right-hand side elevational view of the three-way call detector rack; and FIG. 5 is a left-hand side elevational view of three-way call detector rack; FIG. 6 is a top plan view of the three-way call detector rack; and, FIG. 7 is a bottom view of the three-way call detector rack.

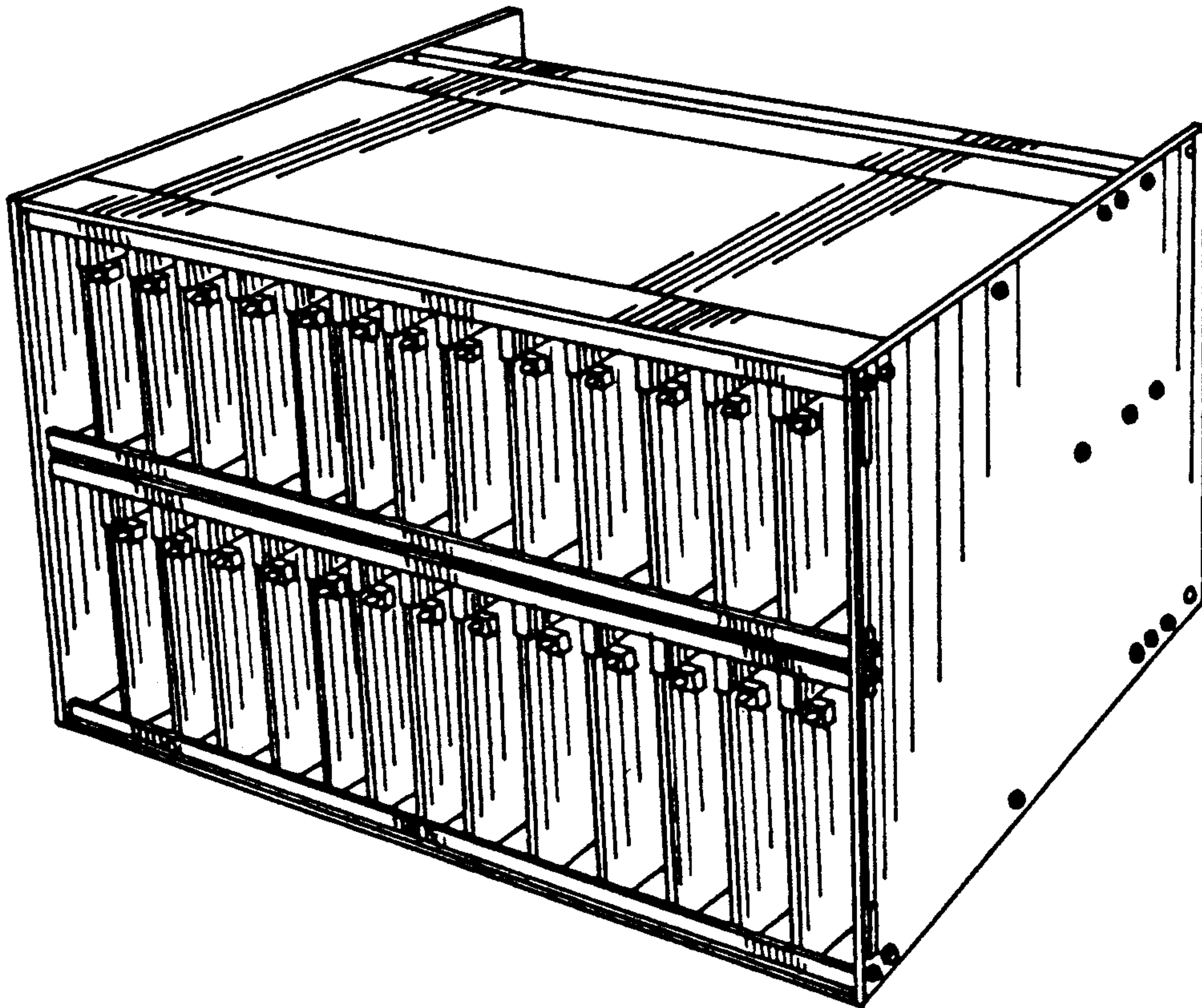


FIG. 1

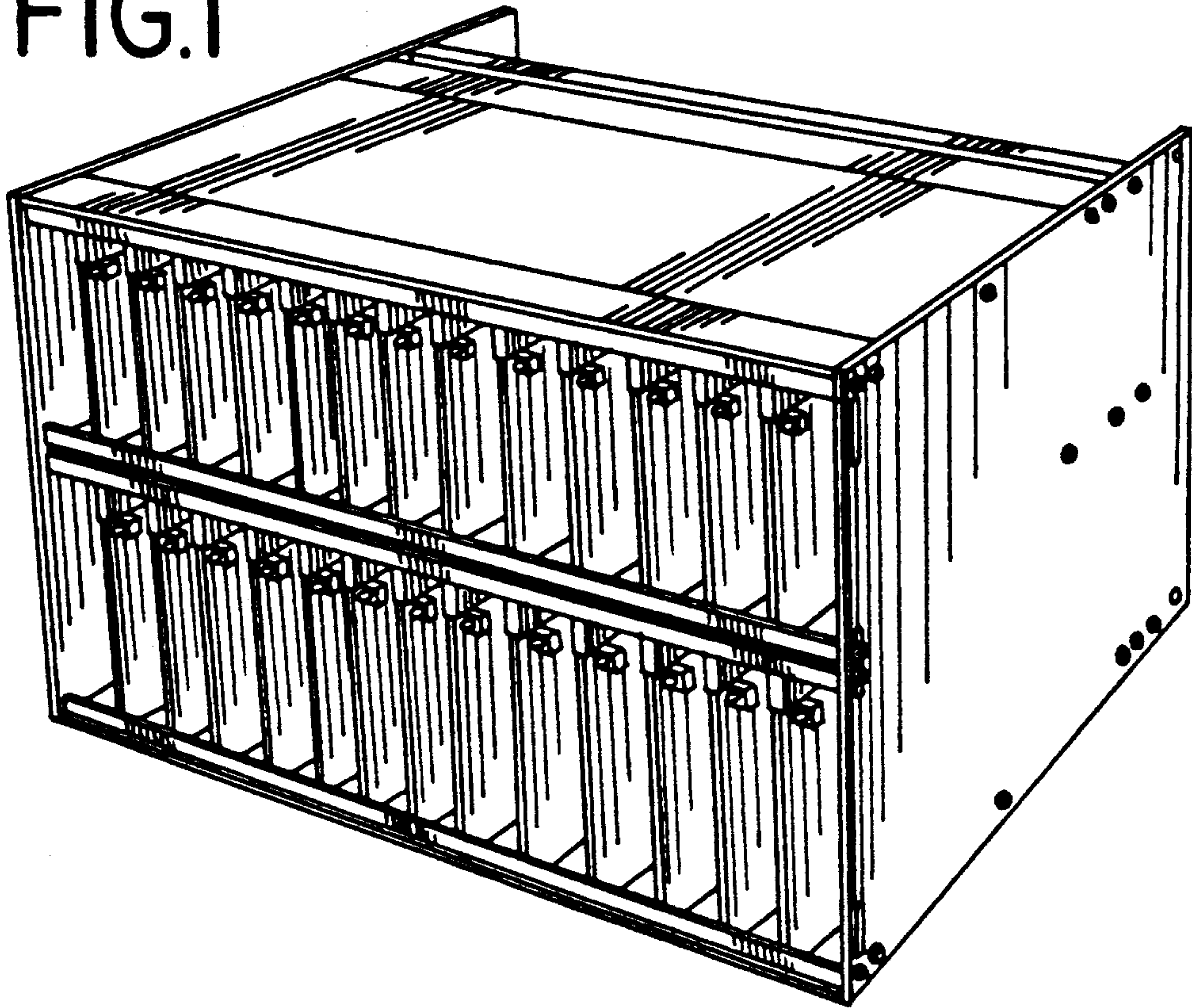


FIG. 2

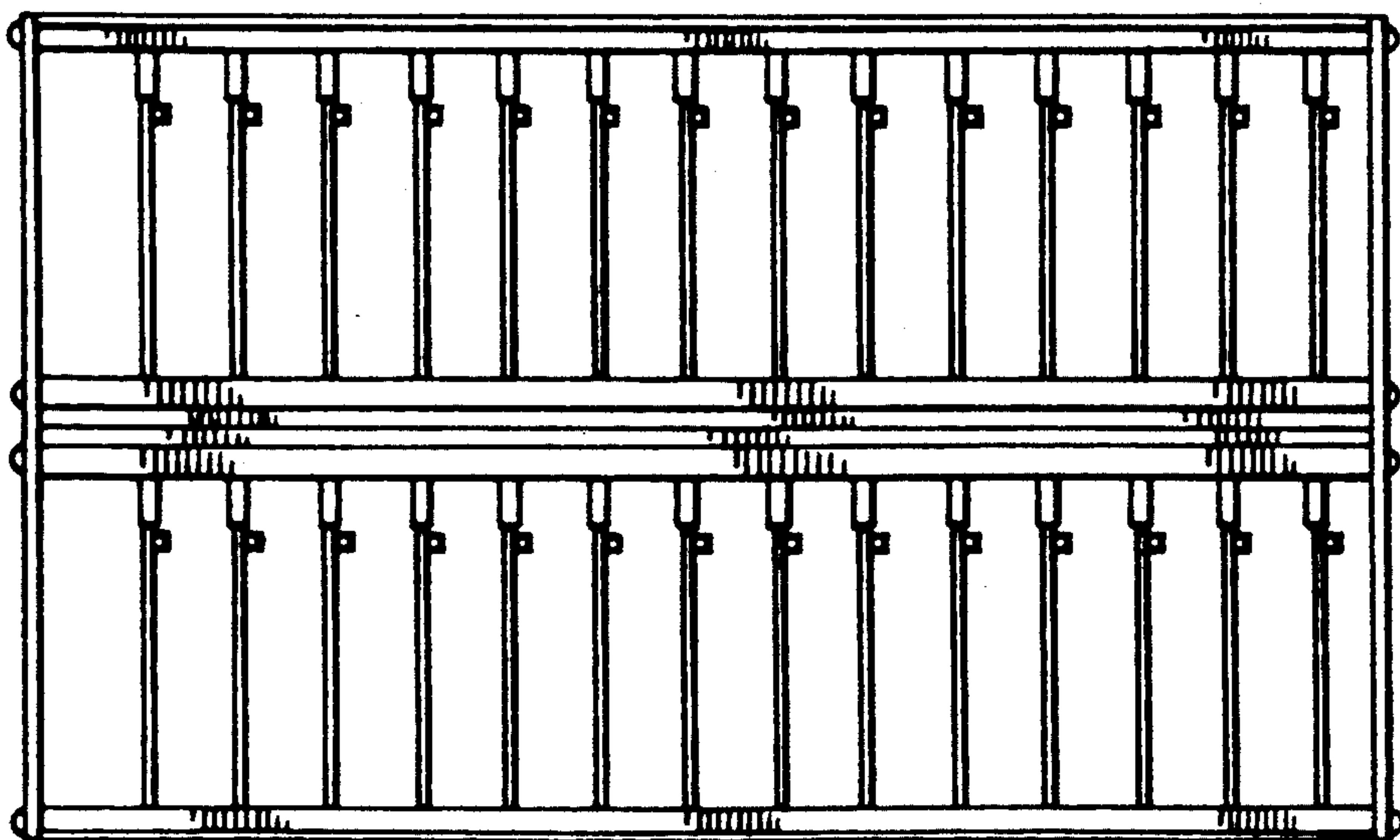


FIG.3

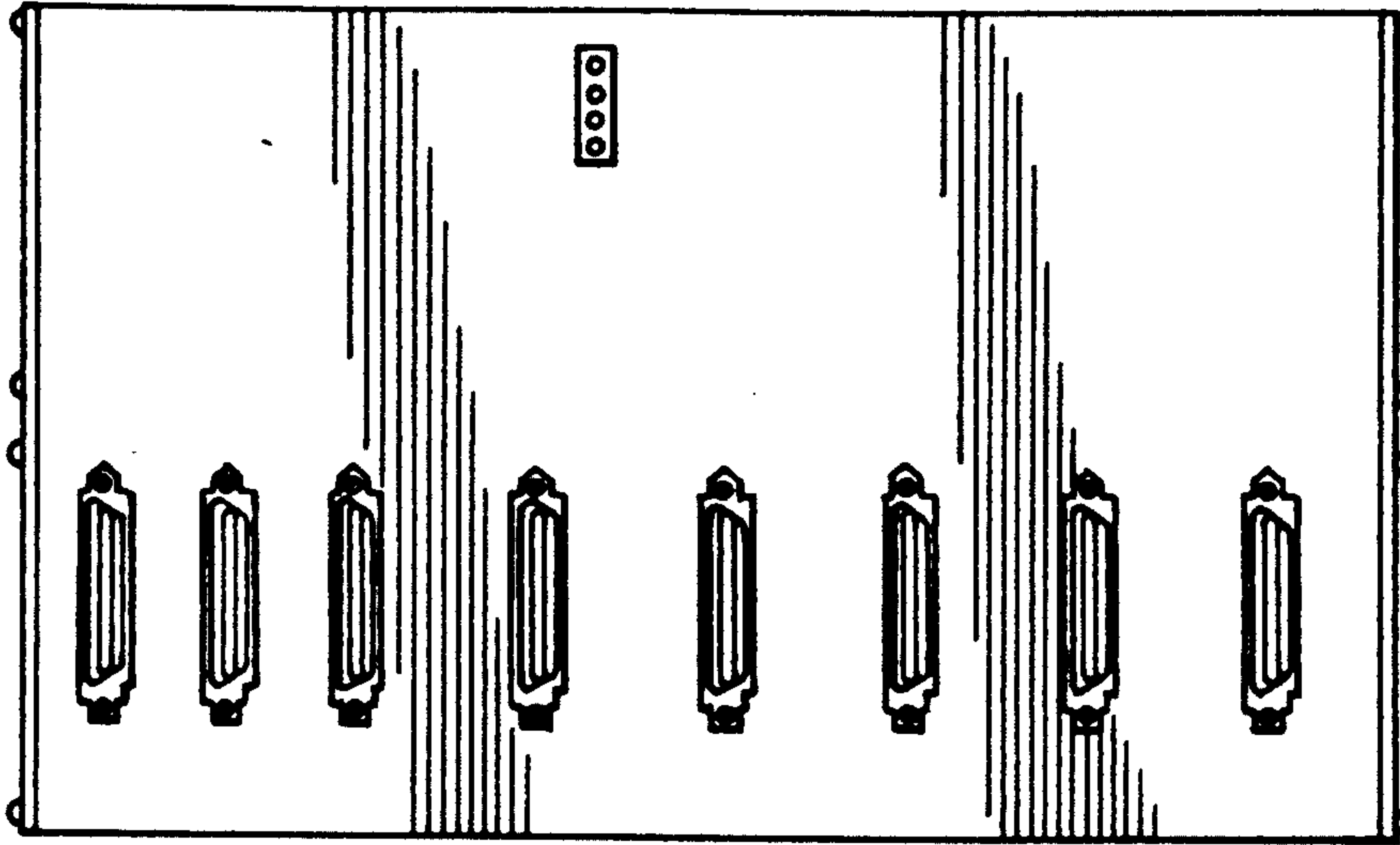


FIG.4

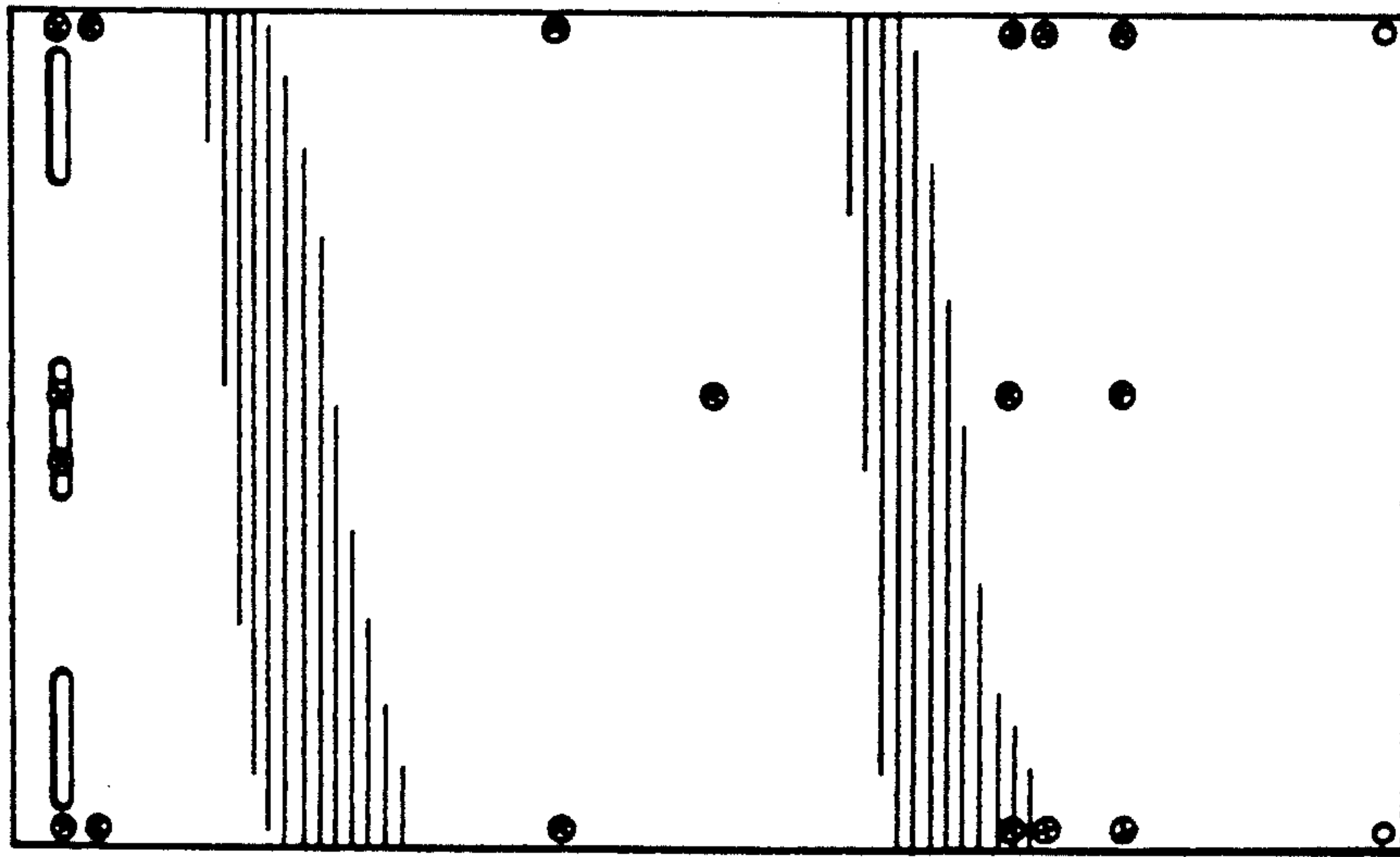


FIG.5

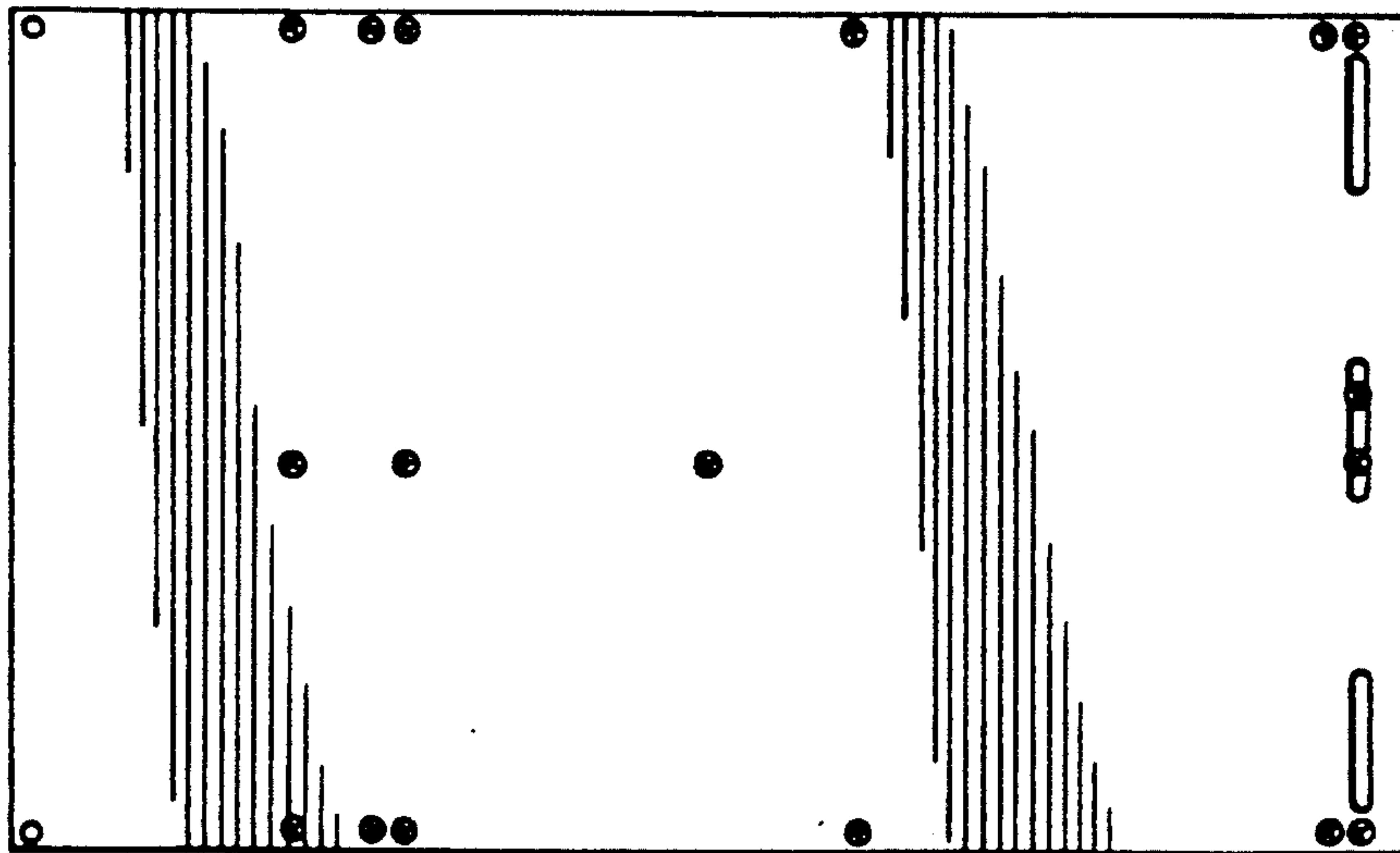




FIG. 7

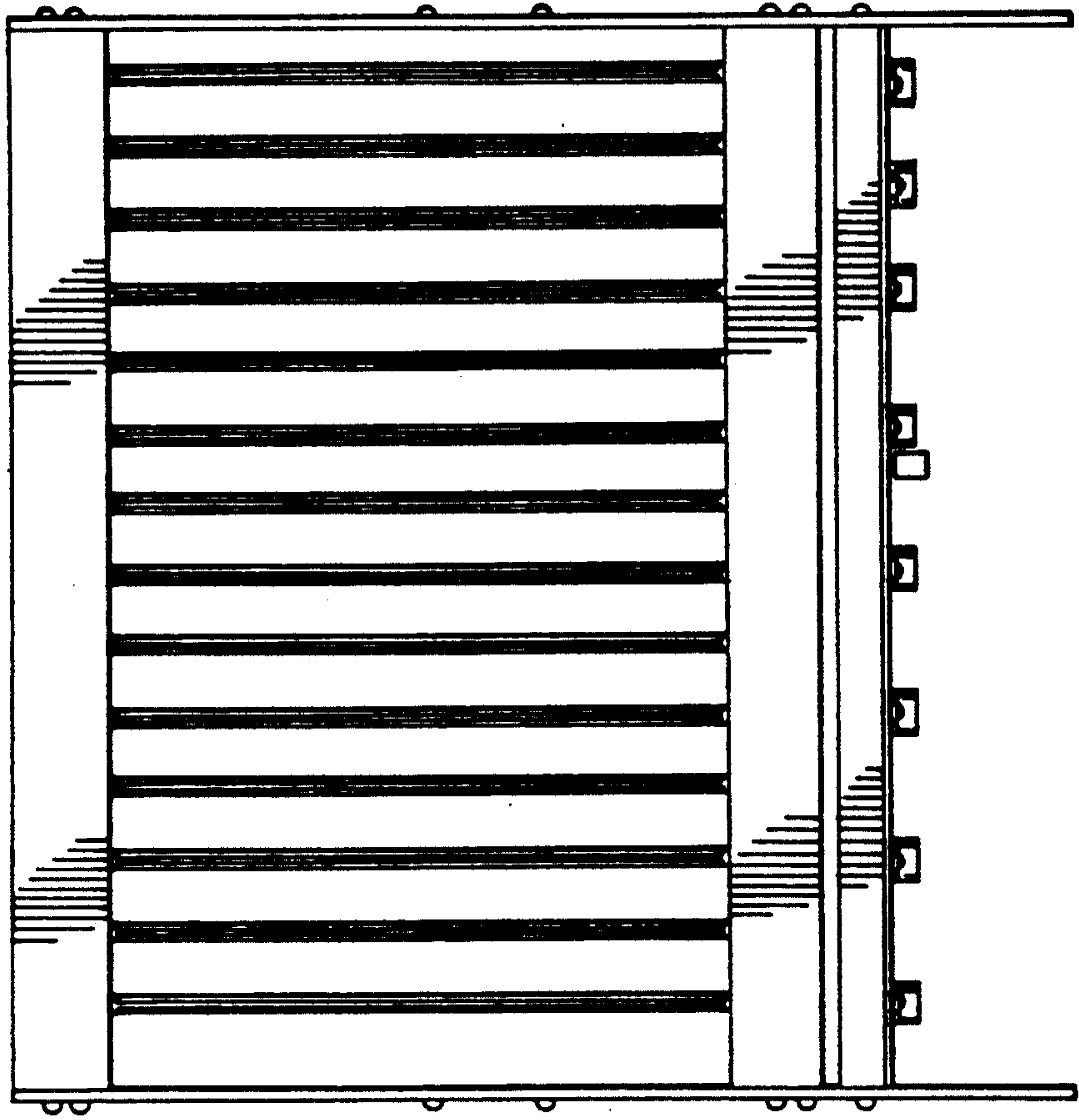


FIG. 6

