



US00D348262S

# United States Patent [19]

[11] Patent Number: **Des. 348,262**

Schoettle et al.

[45] Date of Patent: **\*\* Jun. 28, 1994**

[54] **MAGNETIC TAPE CASSETTE**

[75] Inventors: **Klaus Schoettle, Heidelberg; Joachim Eberhard, Kippenheim; Kurt Schmidts, Schwanau; Bozidar Pavelka, Willstaett, all of Fed. Rep. of Germany**

[73] Assignee: **BASF Aktiengesellschaft, Ludwigshafen, Fed. Rep. of Germany**

[\*\*] Term: **14 Years**

[21] Appl. No.: **728,065**

[22] Filed: **Jul. 10, 1991**

[30] **Foreign Application Priority Data**

Mar. 25, 1991 [WO] World Int. Prop. O. .... DM/19214  
[52] U.S. Cl. .... **D14/121**  
[58] Field of Search ..... 242/55.19 A, 197-200;  
273/DIG. 28; D14/114, 120-122, 299

[56] **References Cited**

**U.S. PATENT DOCUMENTS**

D. 223,029 2/1972 Weiss et al. .... D14/121  
D. 258,585 3/1981 Yoshizawa .... D14/121  
D. 308,866 6/1990 Kinoshita et al. .... D14/120 X  
4,109,286 8/1978 Katsurayama et al. .... 242/198 X

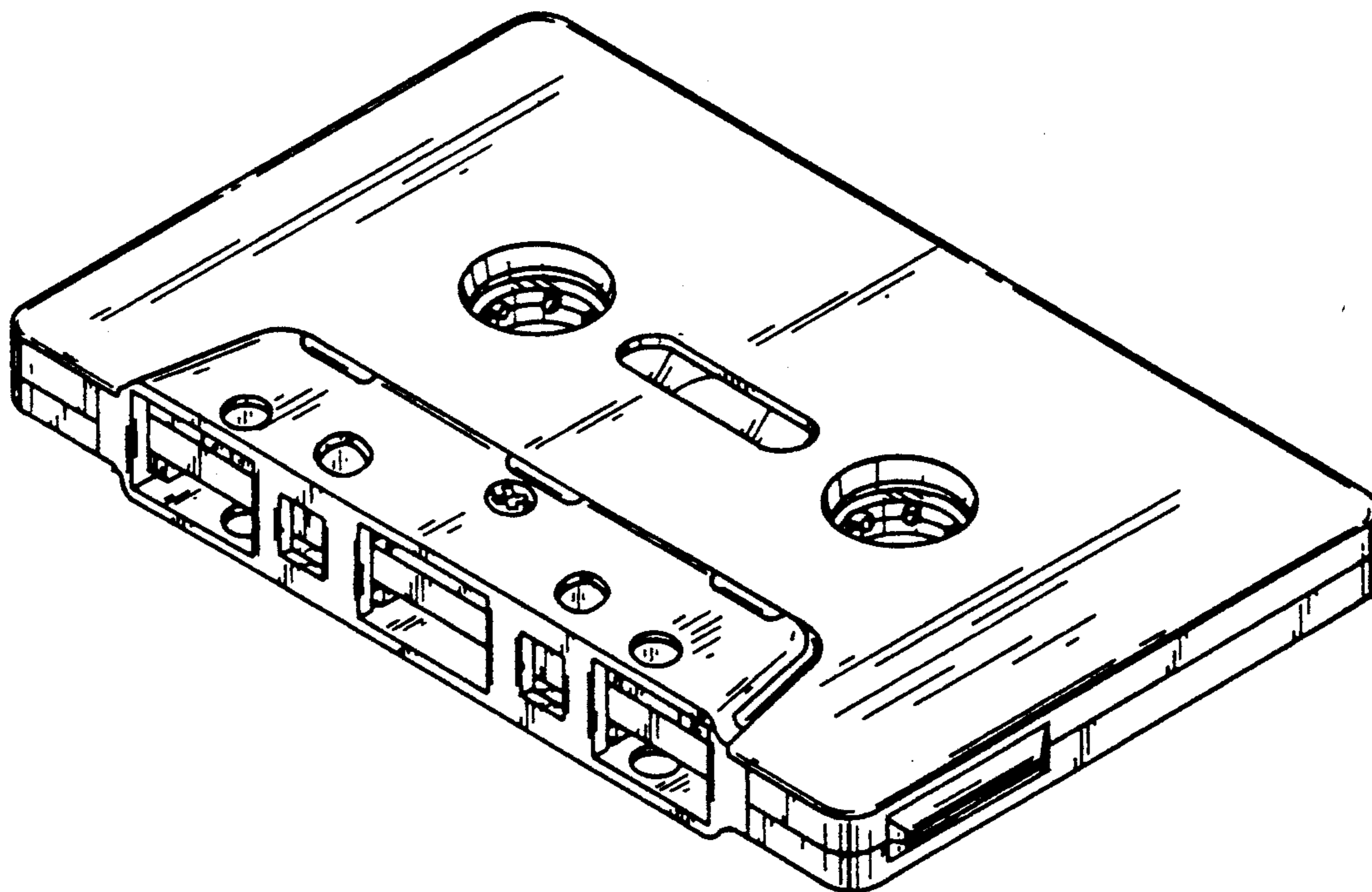
*Primary Examiner*—Theodore M. Shooman  
*Attorney, Agent, or Firm*—Keil & Weinkauff

[57] **CLAIM**

The ornamental design for a magnetic tape cassette, as shown and described.

**DESCRIPTION**

FIG. 1 is a front, top and right side perspective view of a magnetic tape cassette showing our new design; FIG. 2 is a bottom plan view thereof; FIG. 3 is a front elevational view thereof; FIG. 4 is a rear elevational view thereof; and, FIG. 5 is a left side elevational view thereof.



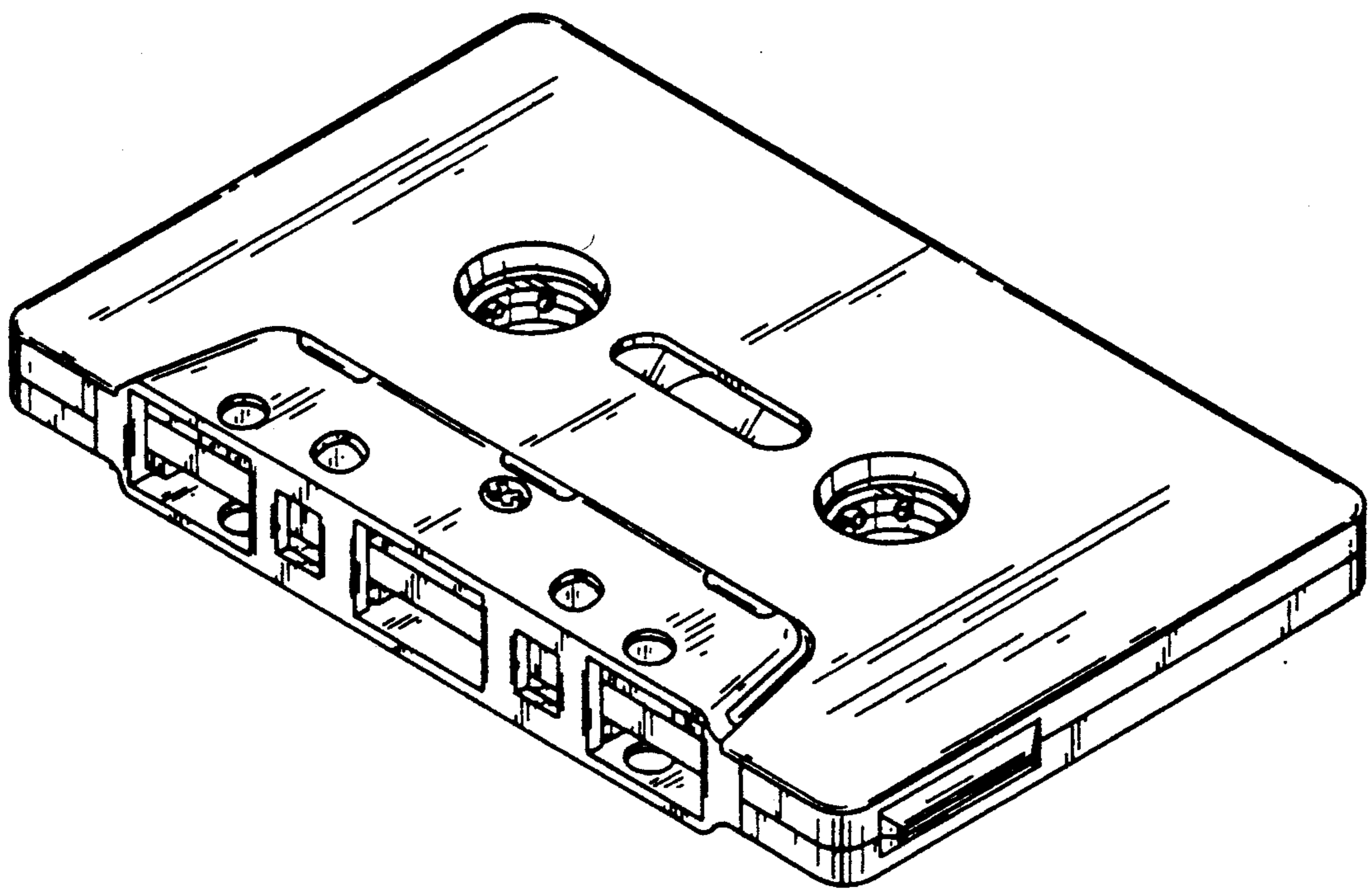


FIG. 1

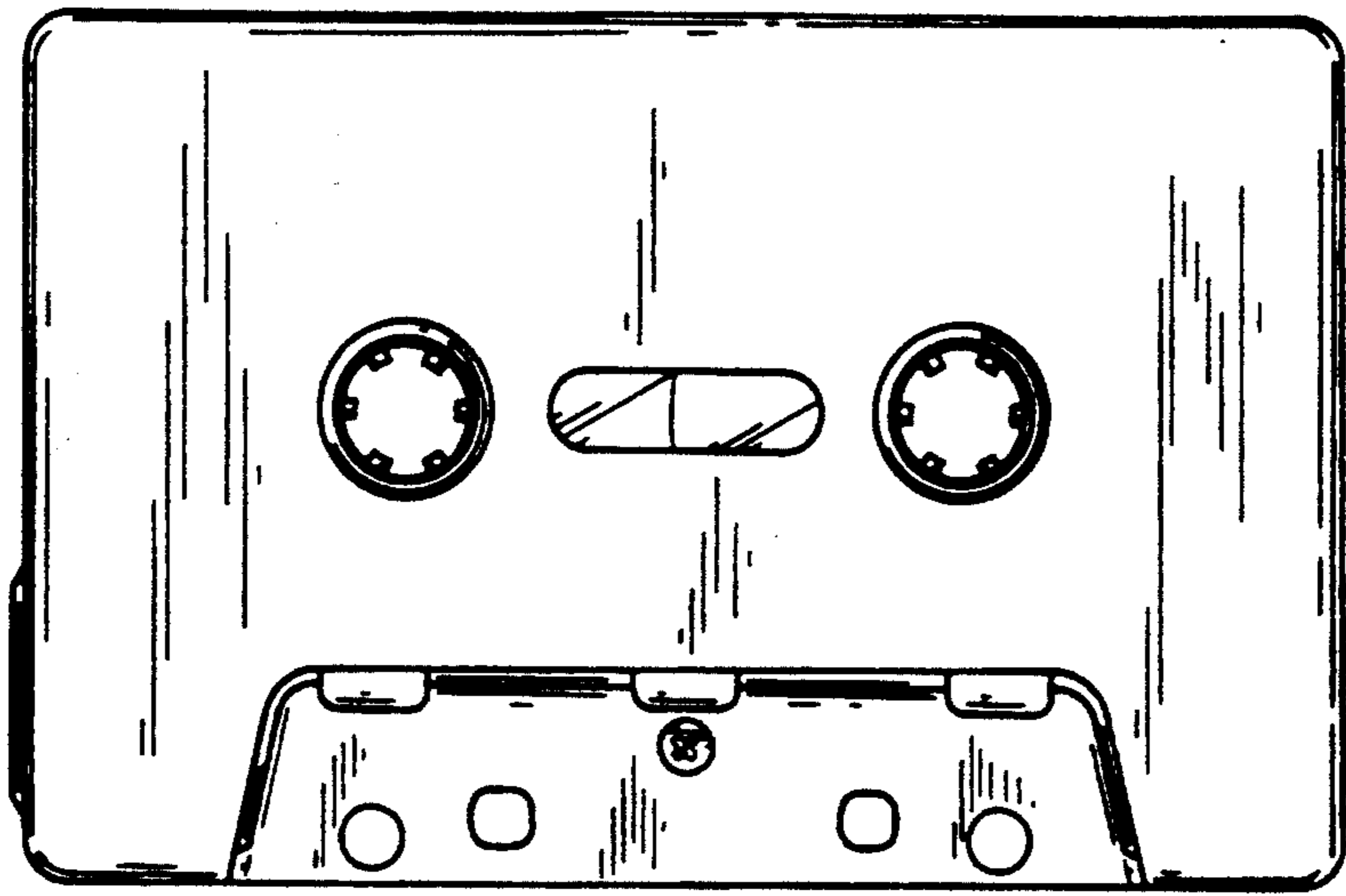


FIG. 2



FIG. 3

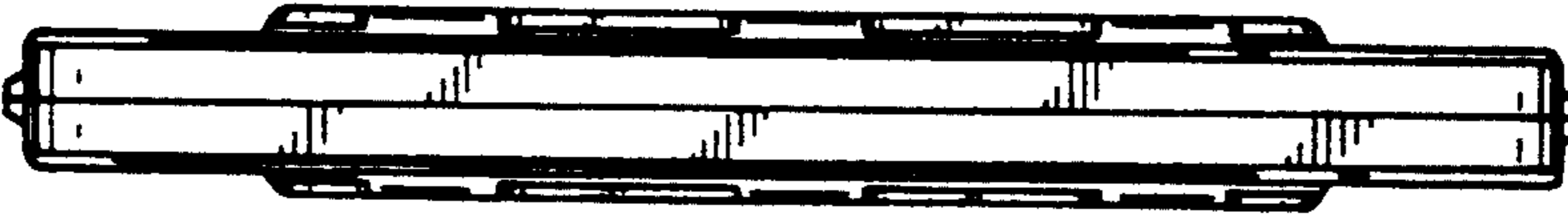


FIG. 4



FIG. 5