



US00D348259S

United States Patent [19]

[11] Patent Number: **Des. 348,259**

Bates et al.

[45] Date of Patent: **** Jun. 28, 1994**

[54] **COMBINED FRONT PANEL AND HANDLE FOR A DISK DRIVE CARRIER**

D. 308,052 5/1990 Darden et al. D14/109
3,899,794 8/1975 Brown, Jr. D14/109 X
4,754,397 6/1988 Varaiya et al. 364/200

[75] Inventors: **Mark C. Bates**, Bellingham; **Edward K. Driscoll**, Westwood, both of Mass.; **Thomas D. Fillio**, Newton, N.H.

Primary Examiner—Wallace R. Burke
Assistant Examiner—Freda S. Nunn
Attorney, Agent, or Firm—Robert L. Dulaney

[73] Assignee: **Data General Corporation**, Westboro, Mass.

[57] **CLAIM**

[**] Term: **14 Years**

The ornamental design for a combined front panel and handle for a disk drive carrier, as shown and described.

[21] Appl. No.: **173**

DESCRIPTION

[22] Filed: **Oct. 2, 1992**

[52] U.S. Cl. **D14/115**

FIG. 1 is a top front and side perspective view of a combined front panel and handle for a disk drive carrier showing our new design;

[58] Field of Search 312/208.1, 223.2, 223.3, 312/194; 360/99.12; 361/390-395; 364/200; D3/35; D14/100, 102, 107-109, 114, 115; D13/162, 184, 199

FIG. 2 is a top rear and opposite side perspective view thereof;

FIG. 3 is a top plan view thereof on an enlarged scale; FIG. 4 is a bottom plan view thereof on an enlarged scale; and,

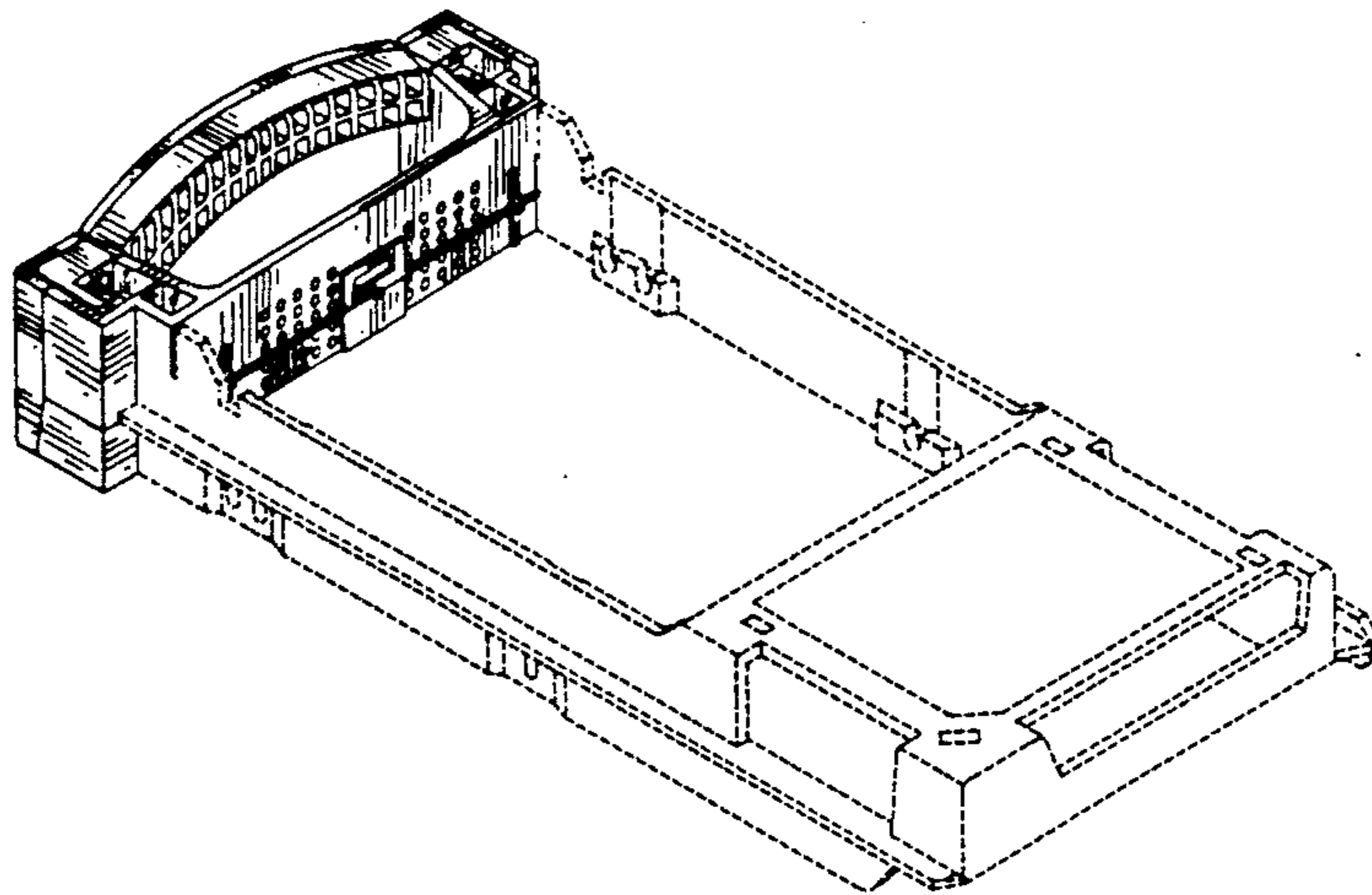
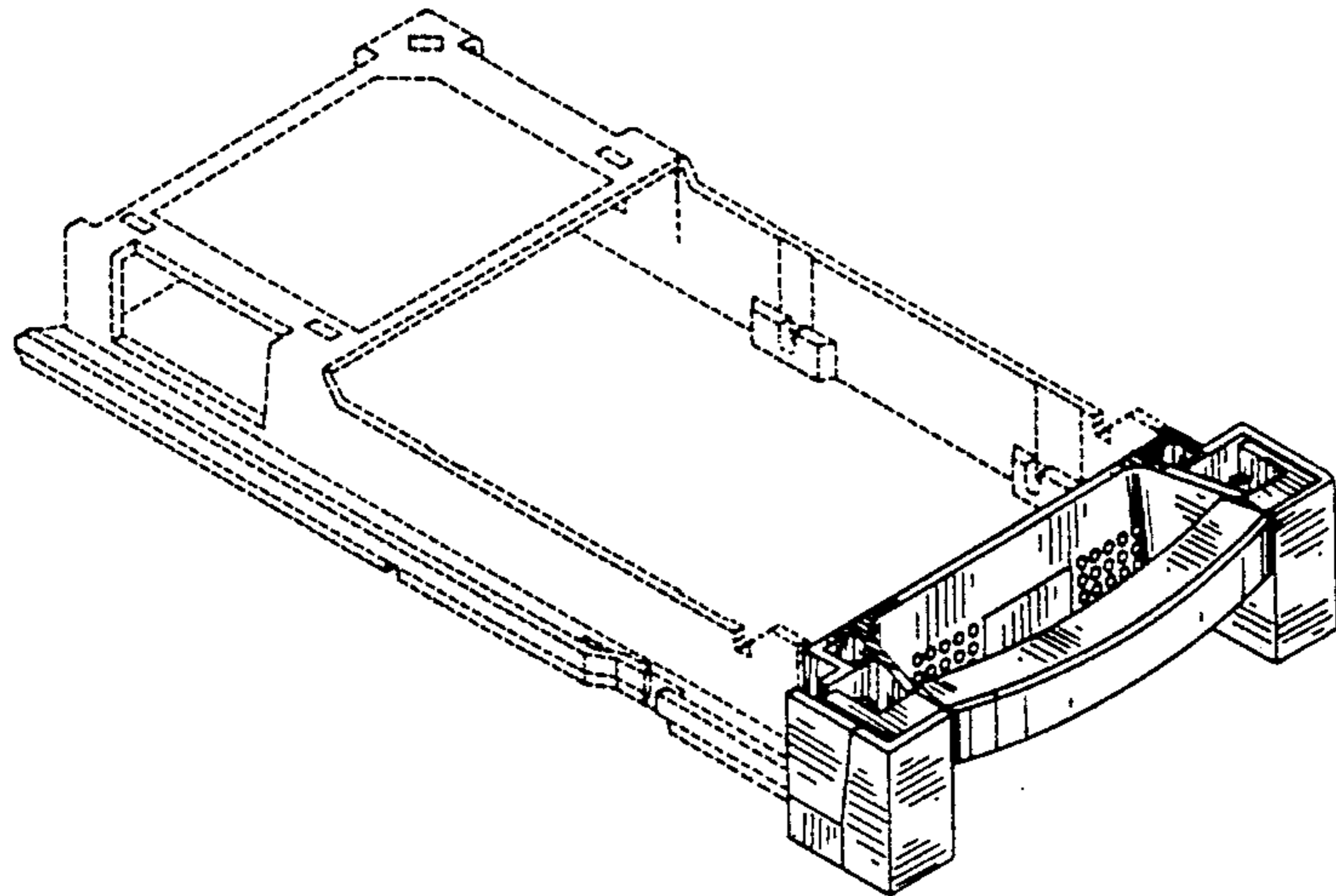
[56] **References Cited**

U.S. PATENT DOCUMENTS

FIG. 5 is a side elevational view thereof on an enlarged scale.

D. 300,589 4/1989 Cross et al. D3/35 X

The broken lines are shown in the views for illustrative purposes only and form no part of the claimed design.



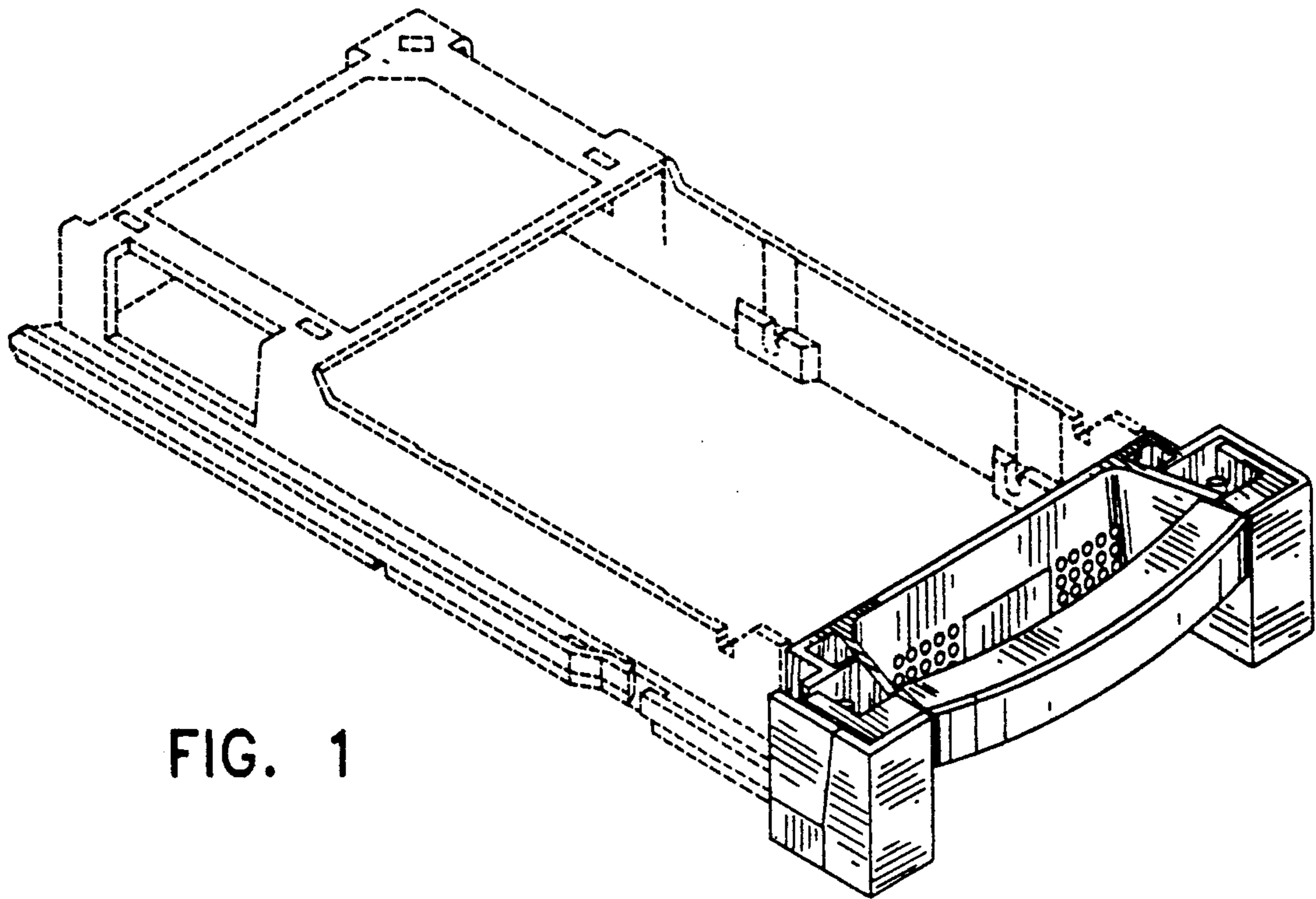


FIG. 1

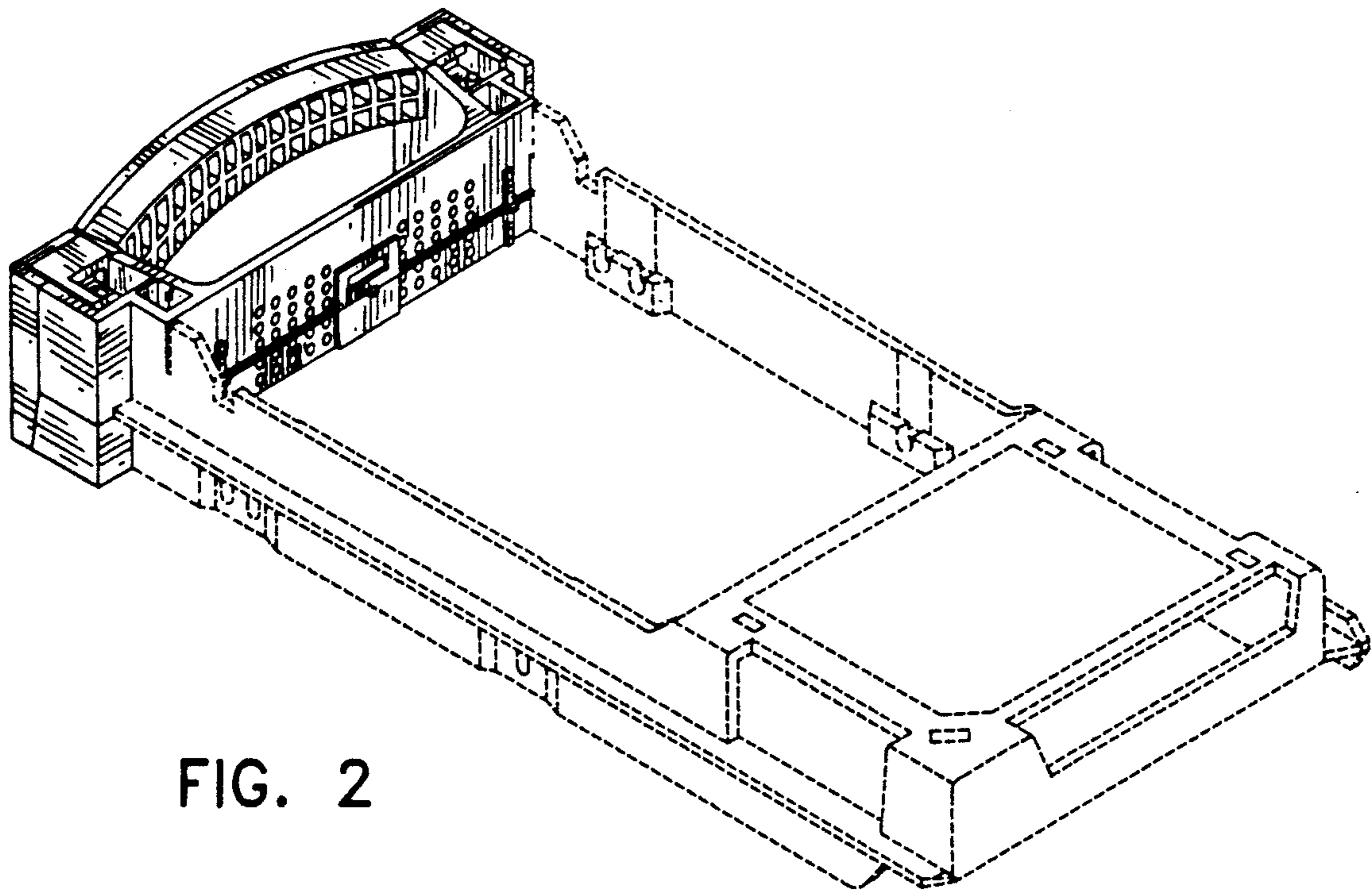


FIG. 2

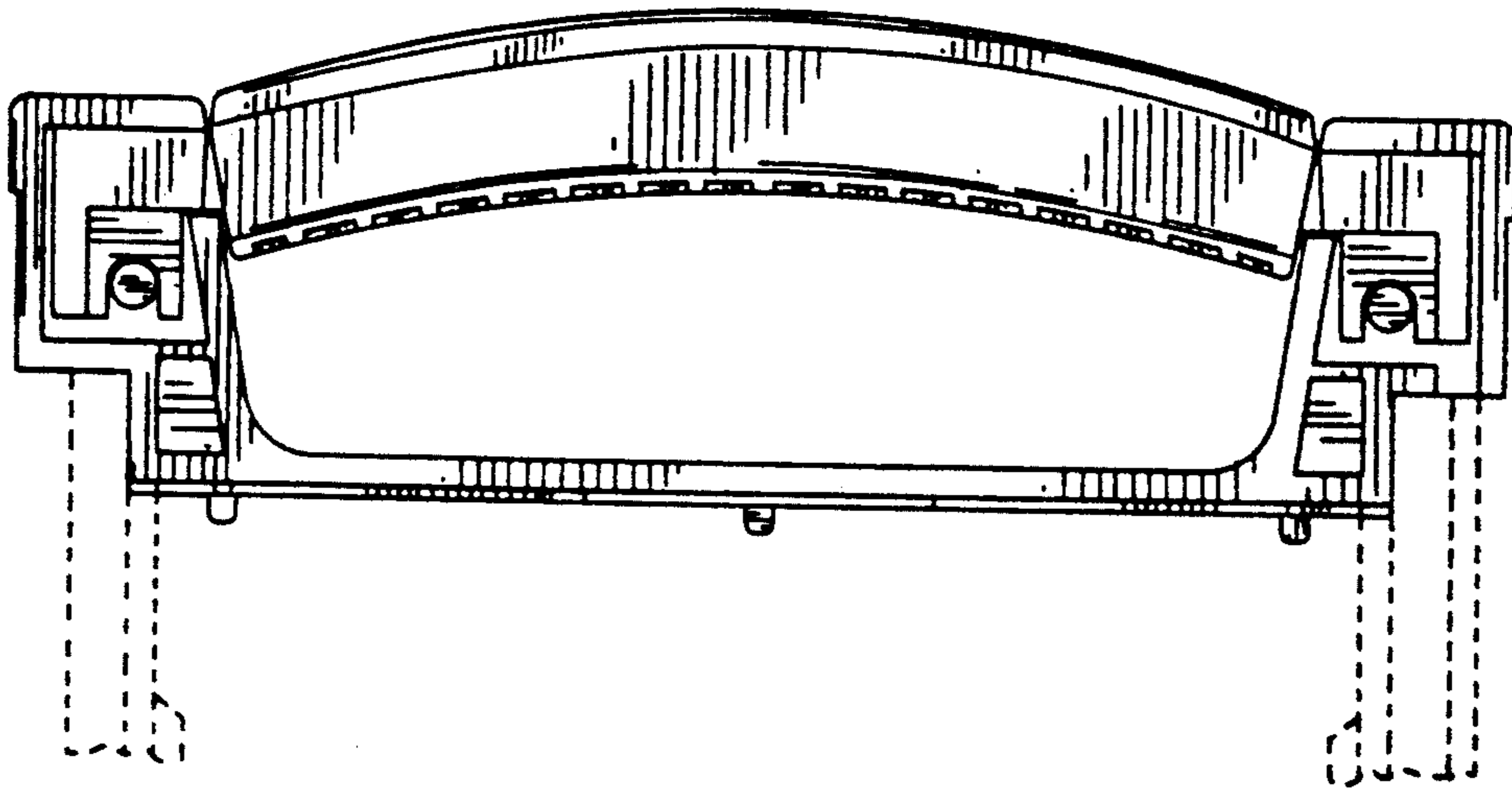


FIG. 3

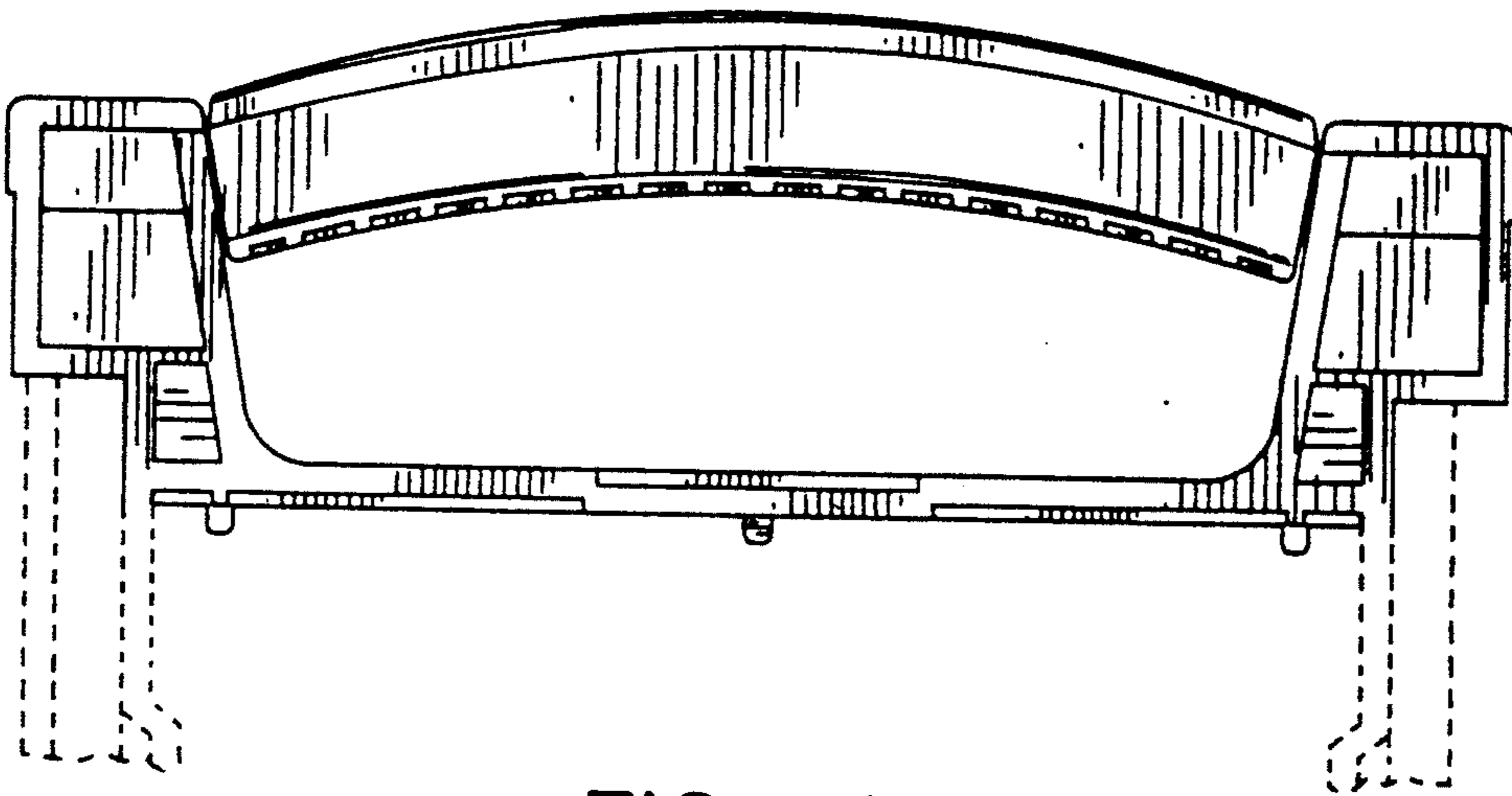


FIG. 4

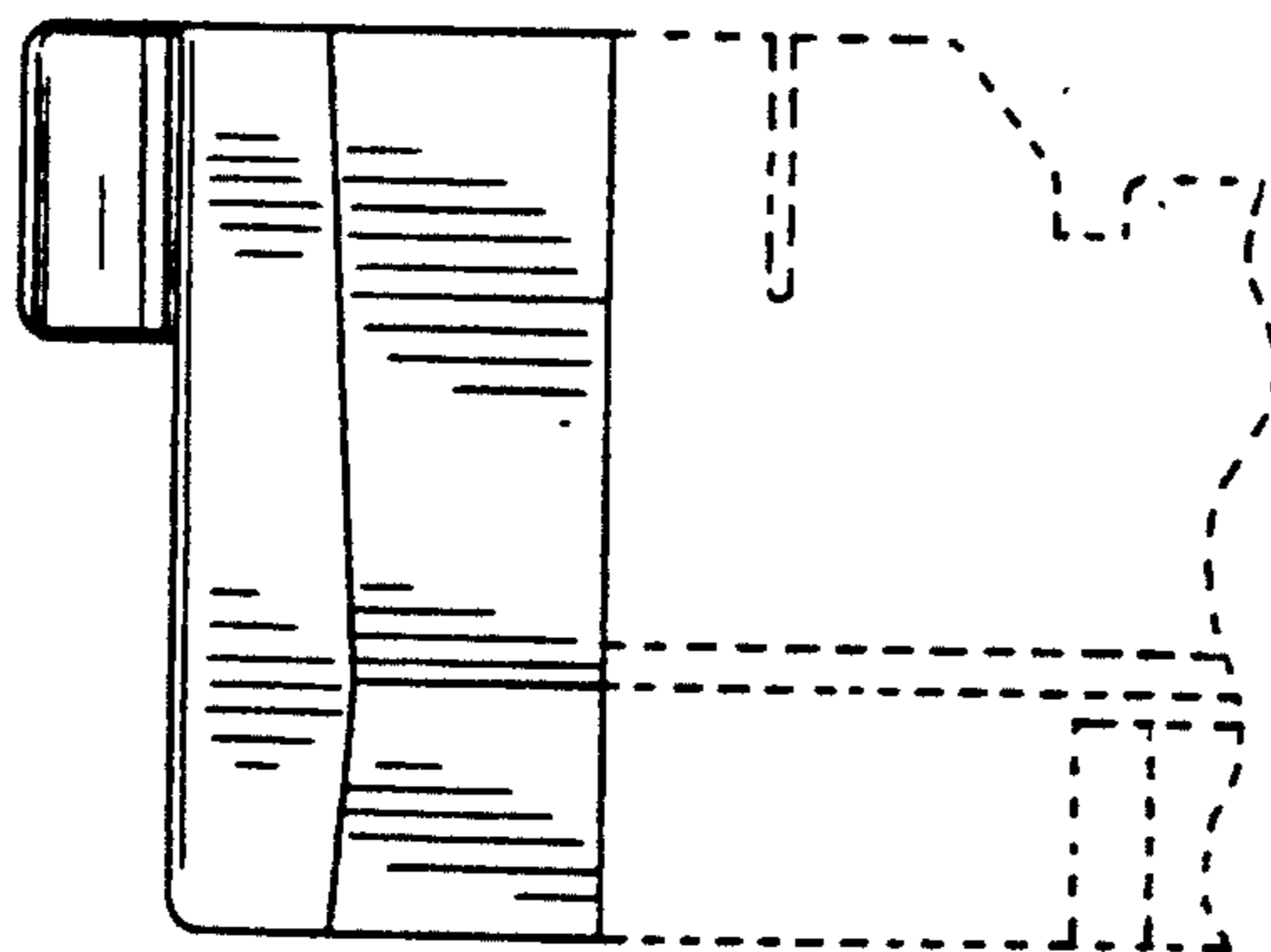


FIG. 5