



US00D348258S

United States Patent [19]
Giompalo

[11] **Patent Number: Des. 348,258**
[45] **Date of Patent: ** Jun. 28, 1994**

[54] **COMPUTER GAME CARTRIDGE**
[75] **Inventor: Sebastian Giompalo, Riverwood, Australia**
[73] **Assignee: Home Entertainment Suppliers Pty. Limited, Australia**
[**] **Term: 14 Years**
[21] **Appl. No.: 849,327**
[22] **Filed: Mar. 10, 1992**
[30] **Foreign Application Priority Data**
Sep. 10, 1991 [AU] Australia 2677/91
[52] **U.S. Cl. D14/114**
[58] **Field of Search 273/148 B; 360/60, 132-133, 360/135, 97.01-99.12; 206/312, 444; D14/100, 114; D21/48**
[56] **References Cited**
U.S. PATENT DOCUMENTS
D. 292,399 10/1987 Yukawa D14/114

D. 312,081 11/1990 Yukawa D14/114 X
D. 319,823 9/1991 Kojo D14/114
D. 330,370 10/1992 Tseng D14/114
4,149,027 4/1979 Asher et al. D14/114 X
4,941,841 7/1990 Darden et al. D14/114 X

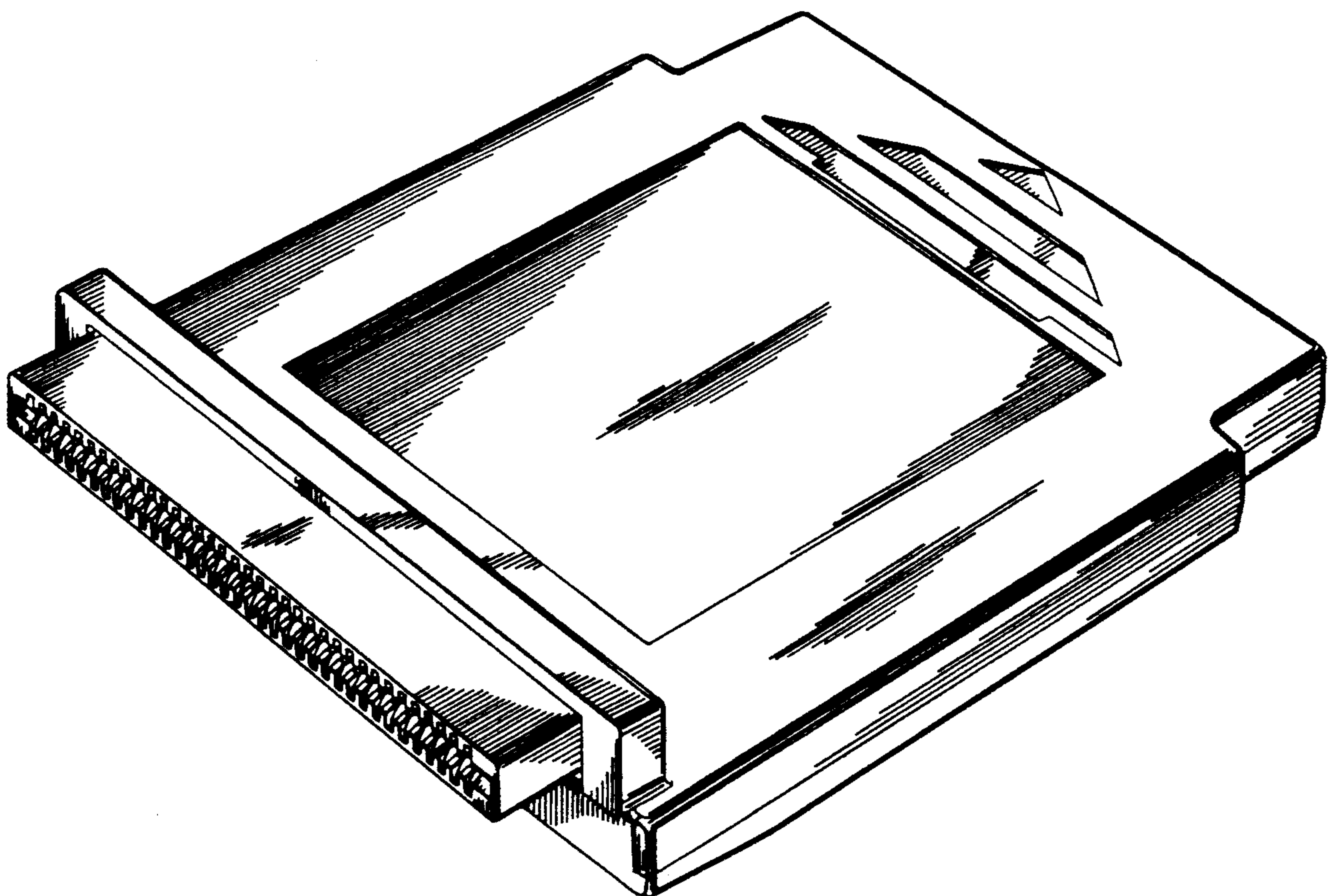
Primary Examiner—Wallace R. Burke
Assistant Examiner—M. H. Tung
Attorney, Agent, or Firm—Davis, Bujold & Streck

[57] **CLAIM**

The ornamental design for a computer game cartridge, as shown and described.

DESCRIPTION

FIG. 1 is a top, front and right side perspective view of a computer game cartridge showing my new design; FIG. 2 is a plan view thereof; FIG. 3 is a front view thereof; FIG. 4 is an inverted plan view thereof; FIG. 5 is a rear view thereof; and, FIG. 6 is a right side elevational view thereof, the left side being a mirror image.



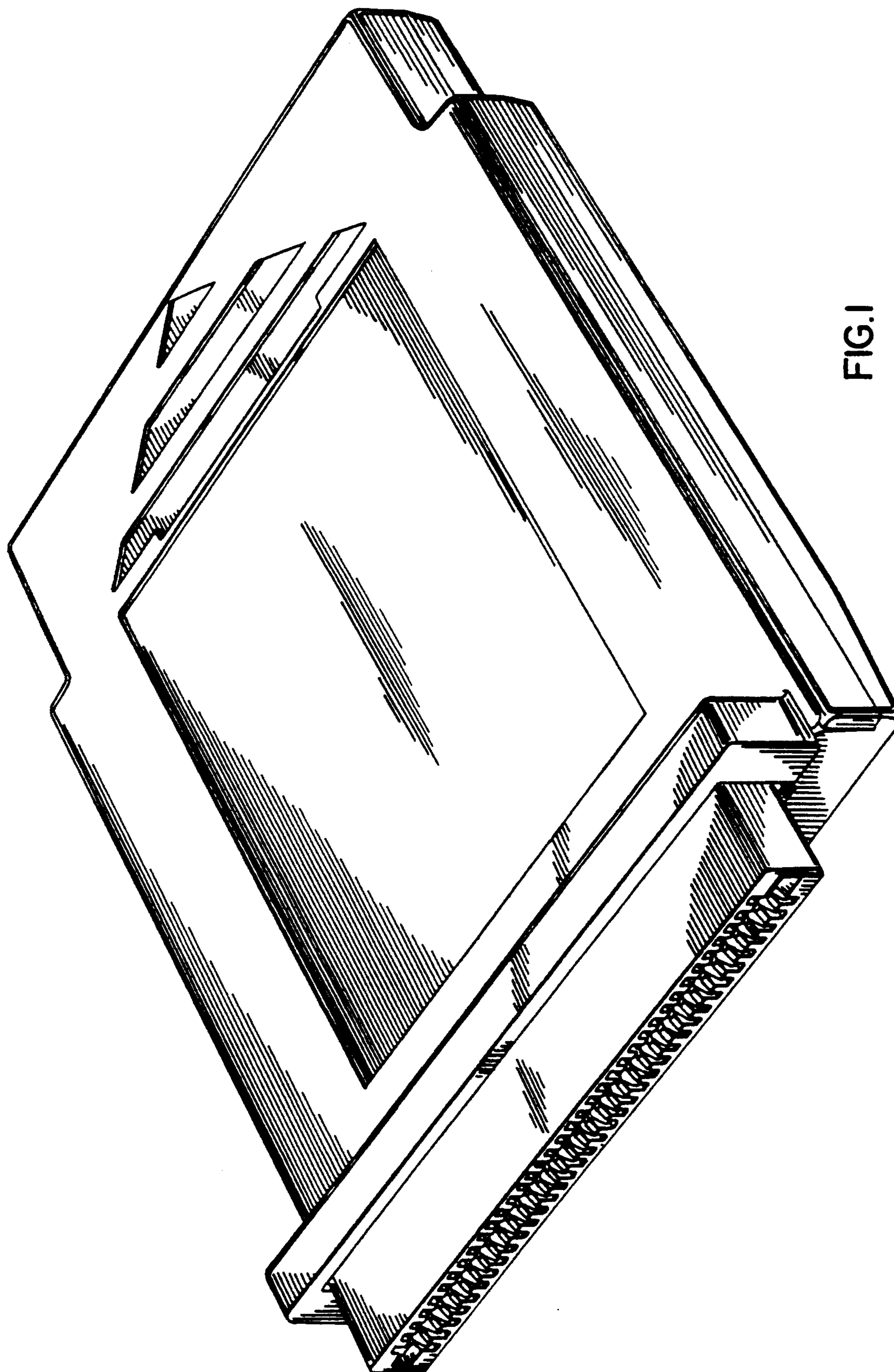


FIG.1

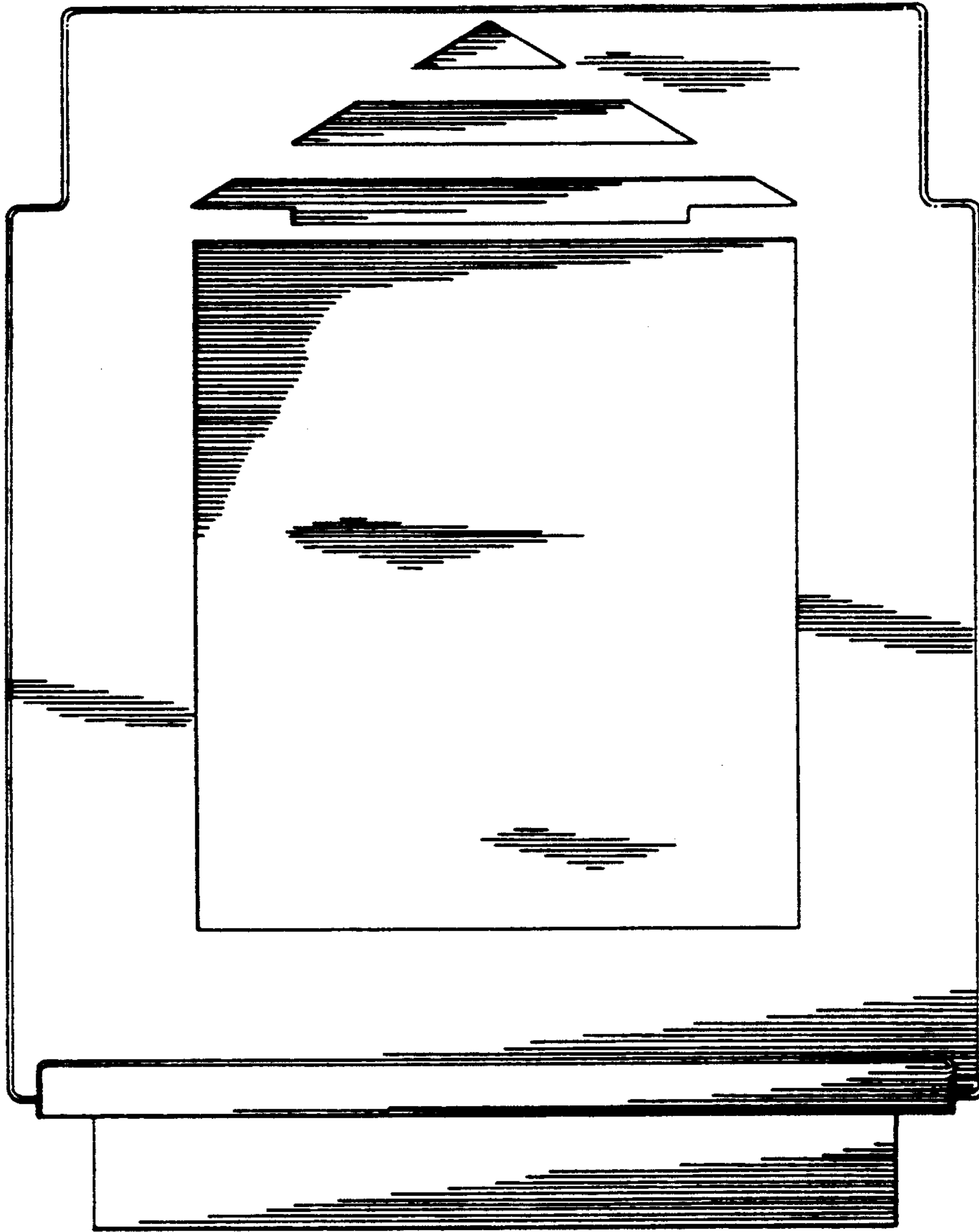


FIG. 2

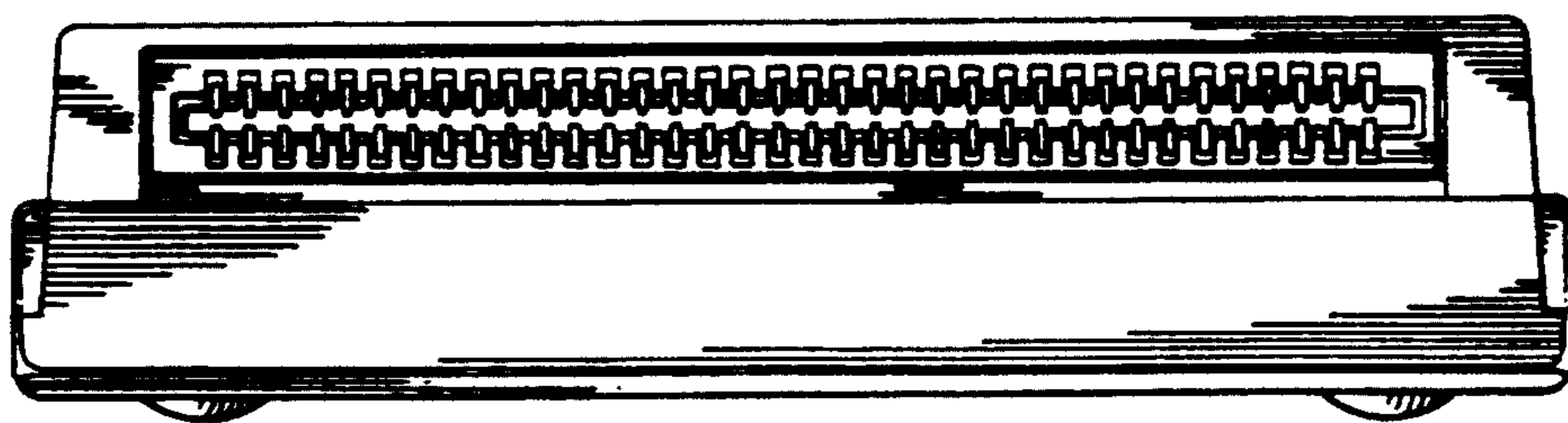


FIG. 3

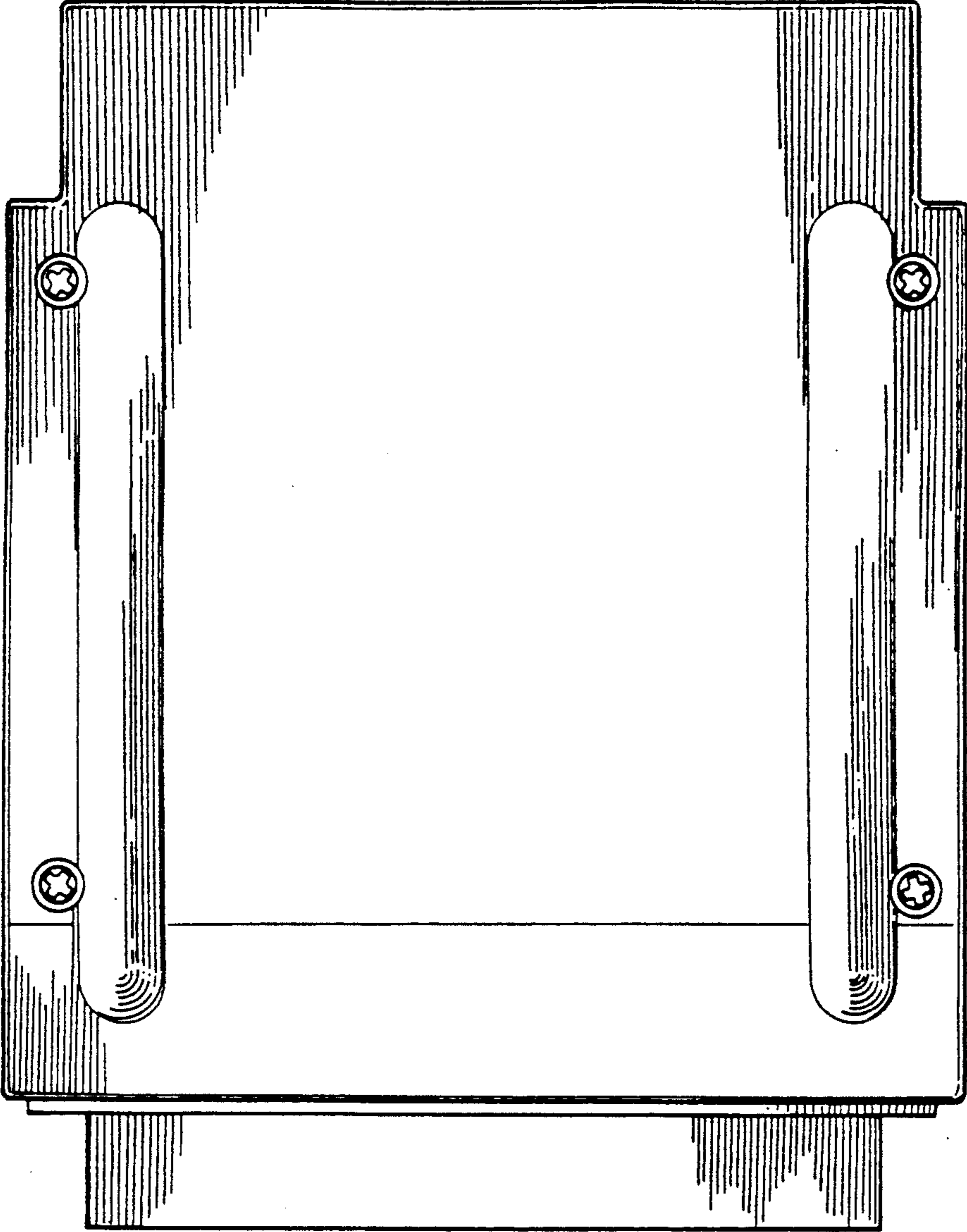


FIG. 4

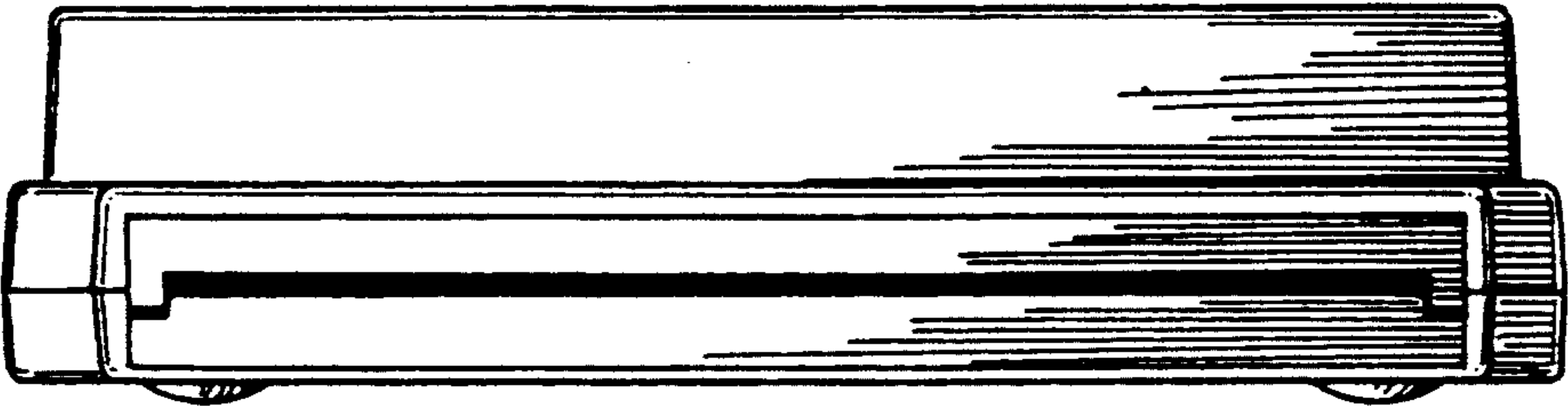


FIG. 5

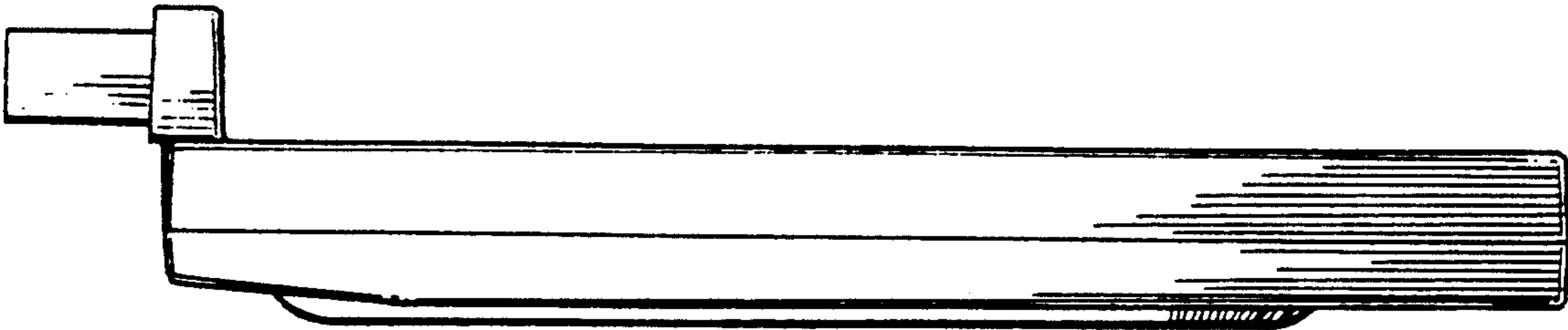


FIG. 6