



US00D348256S

United States Patent [19]

[11] Patent Number: **Des. 348,256**

Basco et al.

[45] Date of Patent: **** Jun. 28, 1994**

- [54] **TOUCHSCREEN ADAPTOR FOR A COMPUTER MONITOR**
- [75] Inventors: **Jose P. Basco**, West Palm Beach;
Joseph E. Jasinski, Delray Beach;
David A. Nesbitt, Boca Raton, all of Fla.
- [73] Assignee: **International Business Machines Corporation**, Armonk, N.Y.
- [**] Term: **14 Years**
- [21] Appl. No.: **779,487**
- [22] Filed: **Oct. 18, 1991**
- [52] U.S. Cl. **D14/113; D14/114**
- [58] Field of Search 178/18, 19; 340/700, 340/706, 707, 709, 712; 358/249, 254; D14/100, 101, 113, 114, 124-127, 239

- 4,777,482 10/1988 Kaneko et al. 340/700 X
- 5,162,783 11/1992 Moreno 340/706 X
- 5,179,369 1/1993 Person et al. 340/712

Primary Examiner—Wallace R. Burke
Assistant Examiner—Freda S. Nunn
Attorney, Agent, or Firm—Bernard D. Bogdon

[57] CLAIM

The ornamental design for a touchscreen adaptor for a computer monitor, as shown and described.

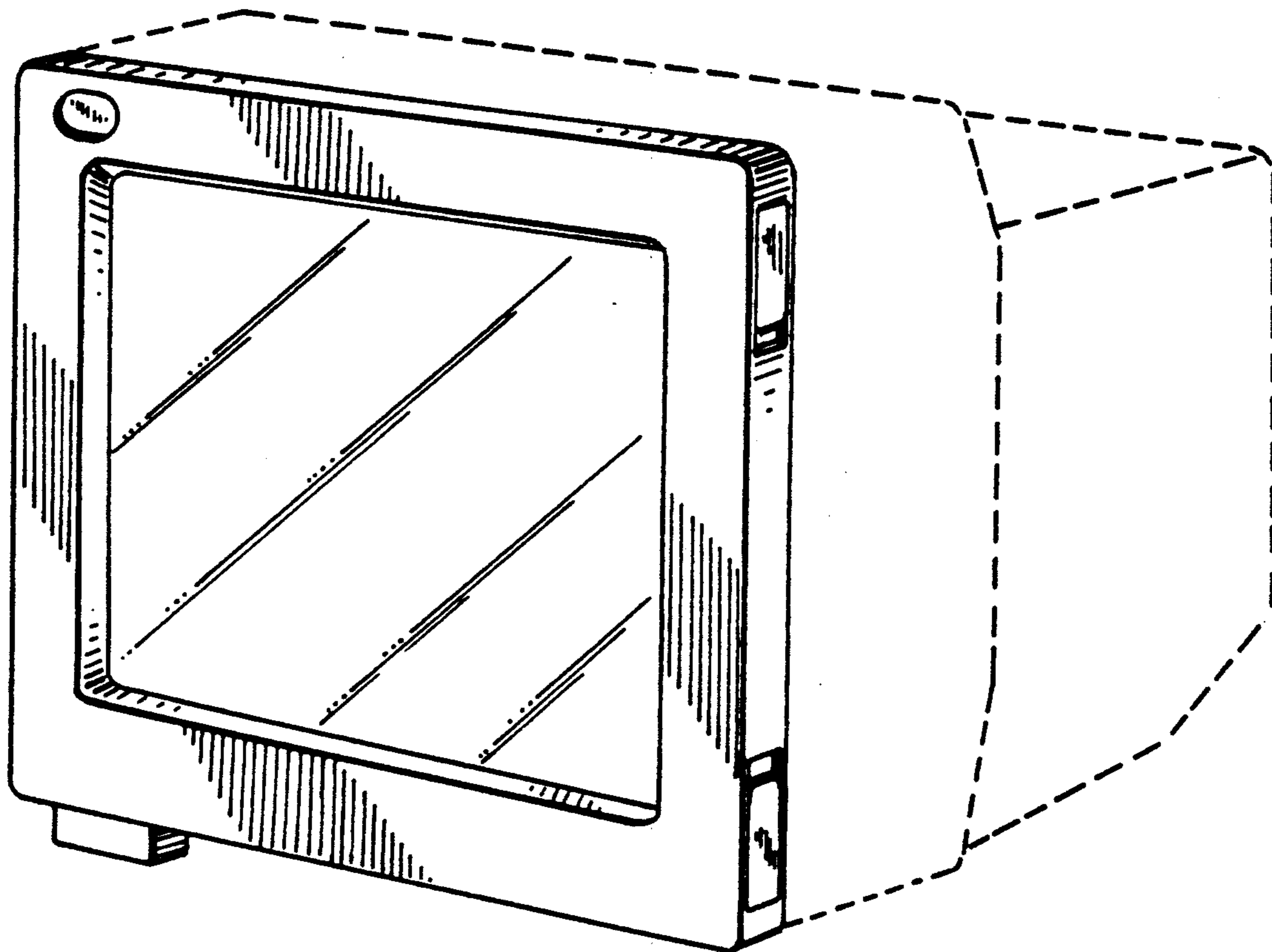
DESCRIPTION

FIG. 1 is a front elevational view of a touchscreen adaptor for a computer monitor showing our new design;
 FIG. 2 is a left side elevational view thereof;
 FIG. 3 is a right side elevational view thereof;
 FIG. 4 is a top plan view thereof;
 FIG. 5 is a bottom plan view thereof; and,
 FIG. 6 is a reduced top front and right side perspective view thereof with the monitor being shown in broken lines for illustrative purposes only and forming no part of the claimed design.
 The undisclosed rear elevational view thereof is flat and unornamented.

[56] References Cited

U.S. PATENT DOCUMENTS

- Re. 33,151 1/1990 Adler 178/18 X
- D. 277,182 1/1985 Matsuda et al. D14/239
- 4,672,558 6/1987 Beckes et al. 340/712



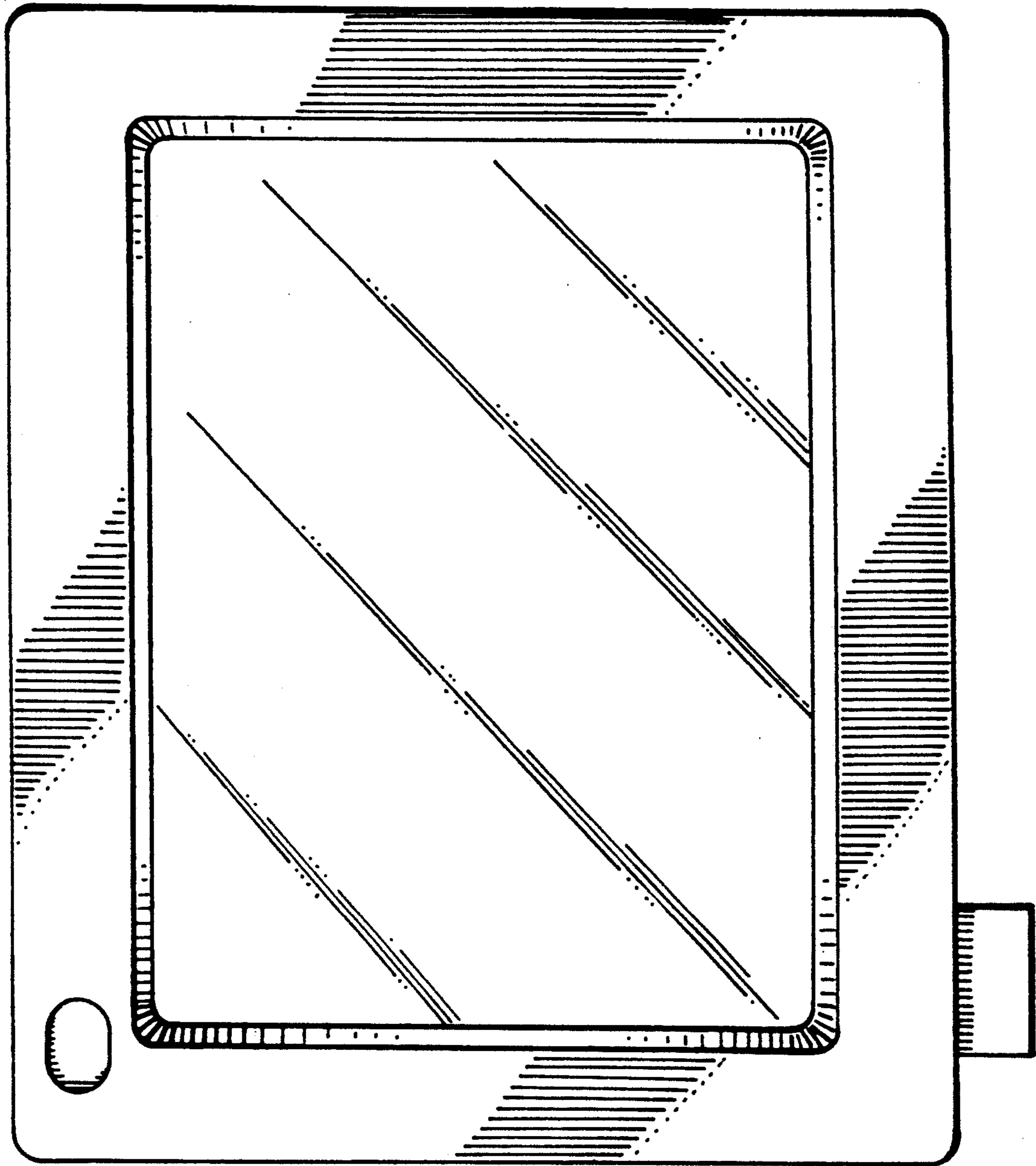


FIG. 1

FIG. 3



FIG. 2



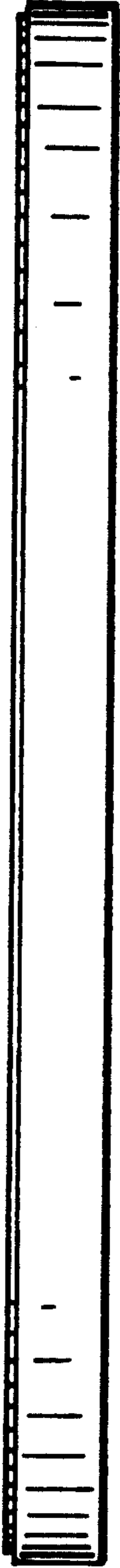


FIG. 4

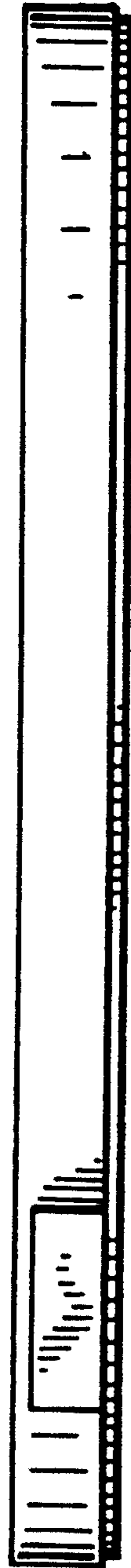


FIG. 5

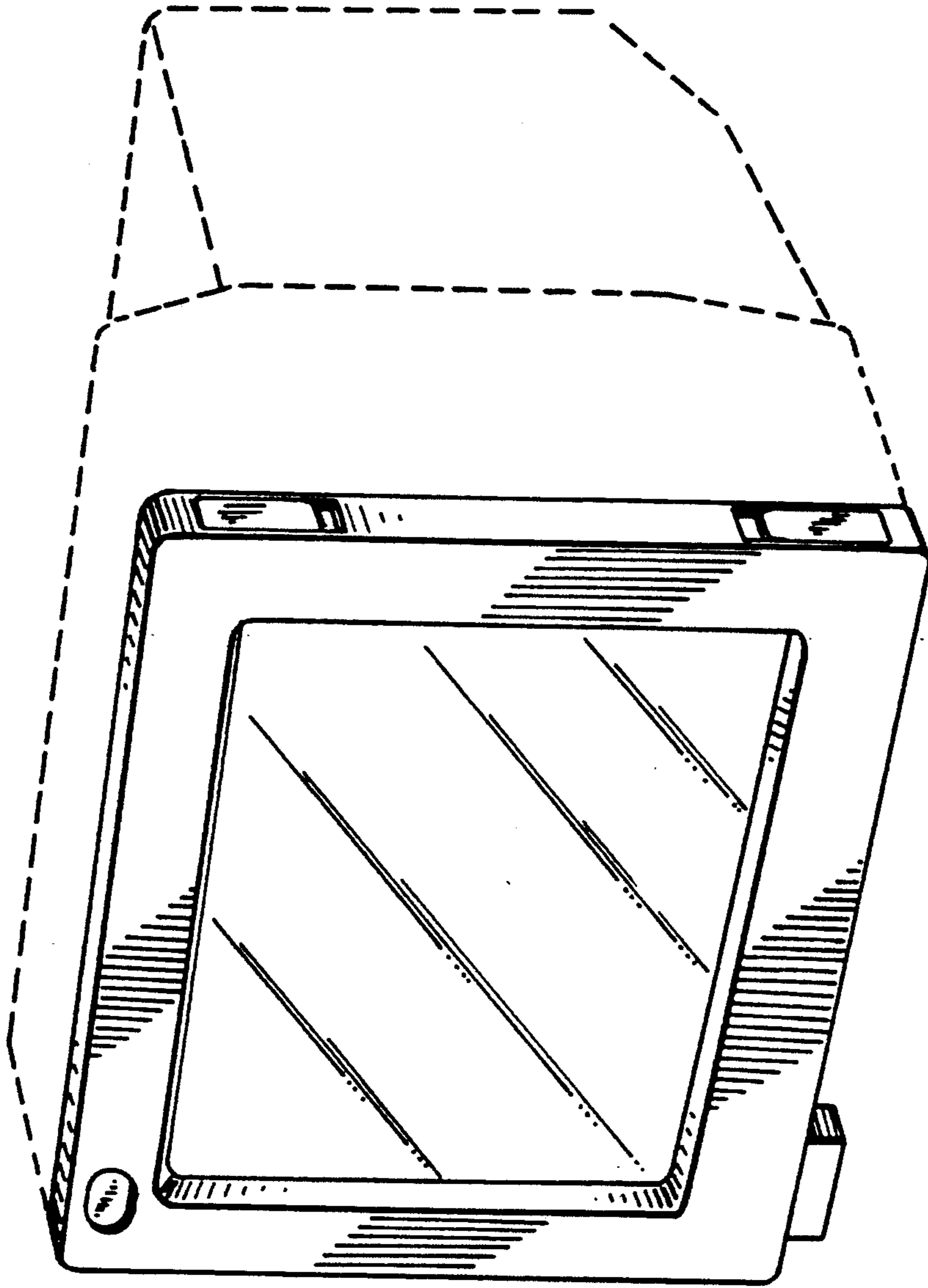


FIG. 6