



US00D348249S

# United States Patent [19]

[11] Patent Number: **Des. 348,249**

Hester

[45] Date of Patent: **\*\* Jun. 28, 1994**

[54] LAMP SOCKET

[75] Inventor: **David L. Hester, Garland, Tex.**

[73] Assignee: **Bayco Products Incorporated, Richardson, Tex.**

[\*\*] Term: **14 Years**

[21] Appl. No.: **926,415**

[22] Filed: **Aug. 10, 1992**

[52] U.S. Cl. .... **D13/134**

[58] Field of Search ..... 439/168, 300, 358, 375, 439/378, 602, 611, 660, 702, 753; D13/133, 134, 135, 136, 138

3,729,700	4/1973	Johnson et al. ....	439/602
3,876,896	4/1975	Albrecht et al. ....	439/387 X
4,418,973	12/1983	Smetana et al. ....	439/168
5,035,643	7/1991	Forish et al. ....	439/358

### FOREIGN PATENT DOCUMENTS

70014	1/1983	European Pat. Off. ....	439/375
2828560	1/1980	Fed. Rep. of Germany .....	439/611

*Primary Examiner*—Wallace R. Burke  
*Assistant Examiner*—Joel Sincavage

### [57] CLAIM

The ornamental design for a lamp socket, as shown and described.

### DESCRIPTION

FIG. 1 is a perspective view of a lamp socket showing my new design;

FIG. 2 is a top plan view thereof;

FIG. 3 is a rear elevational view thereof;

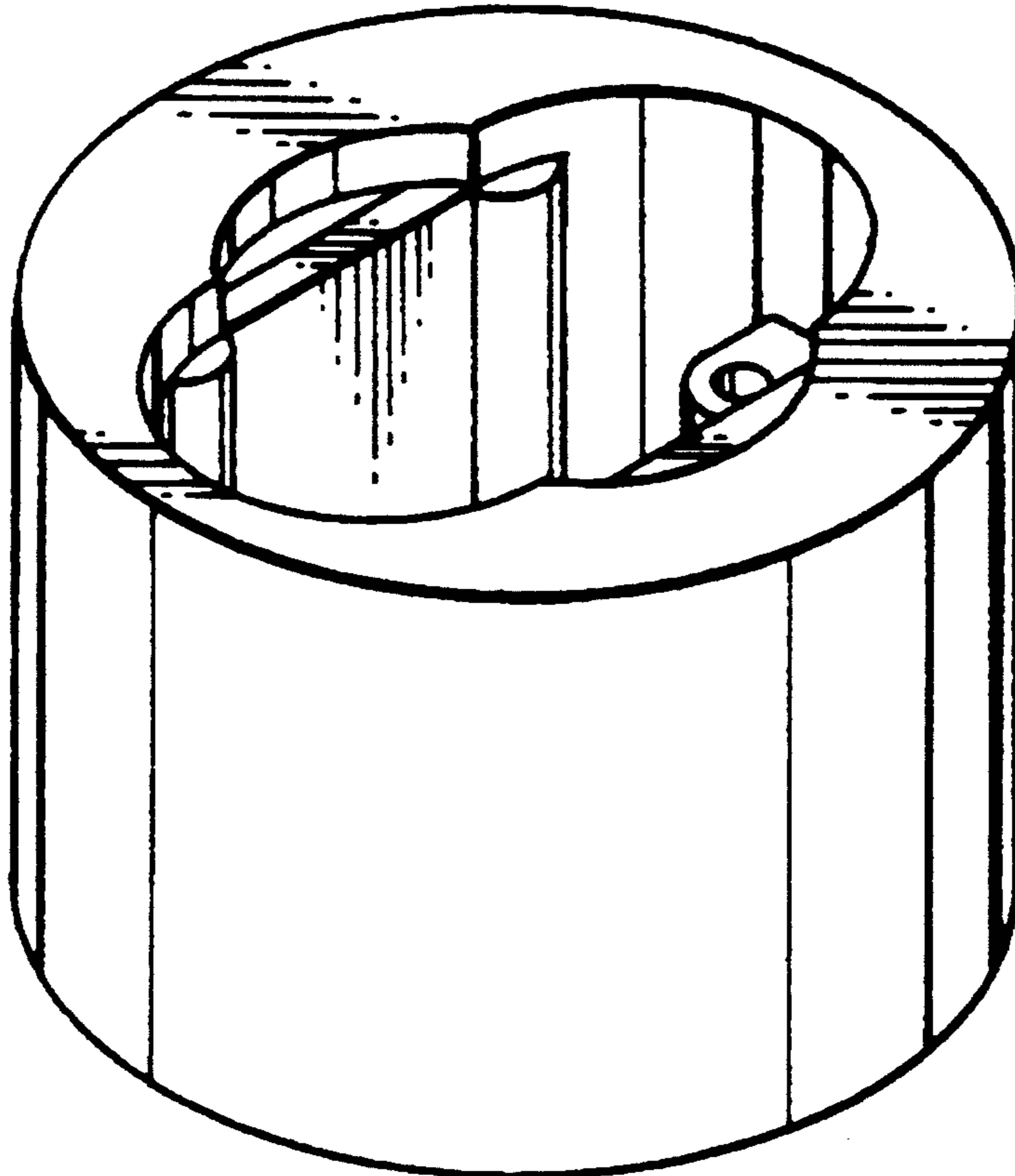
FIG. 4 is a front elevational view thereof; and,

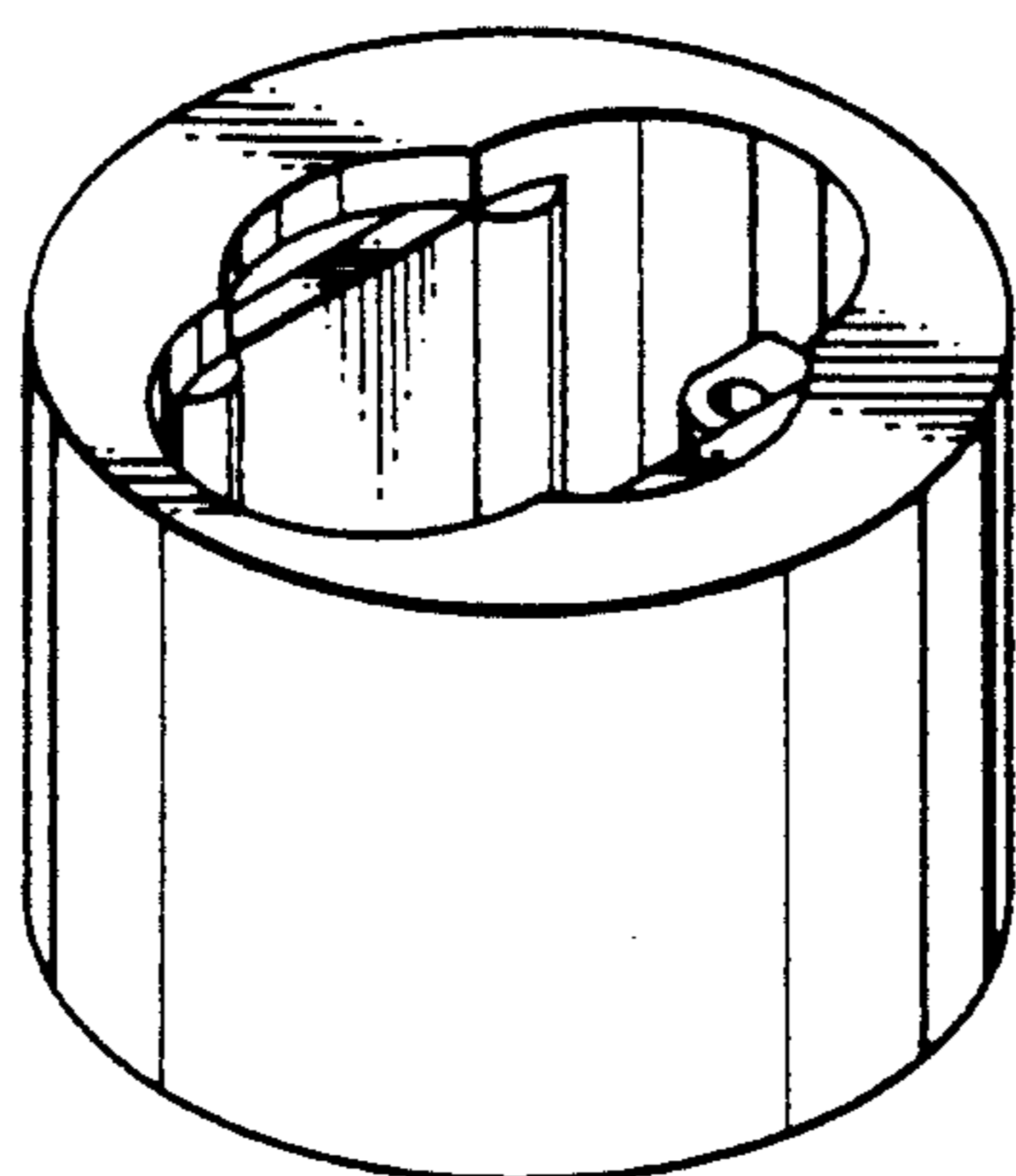
FIG. 5 is a cross-section of the lamp socket taken along lines 5—5 of FIG. 3.

### [56] References Cited

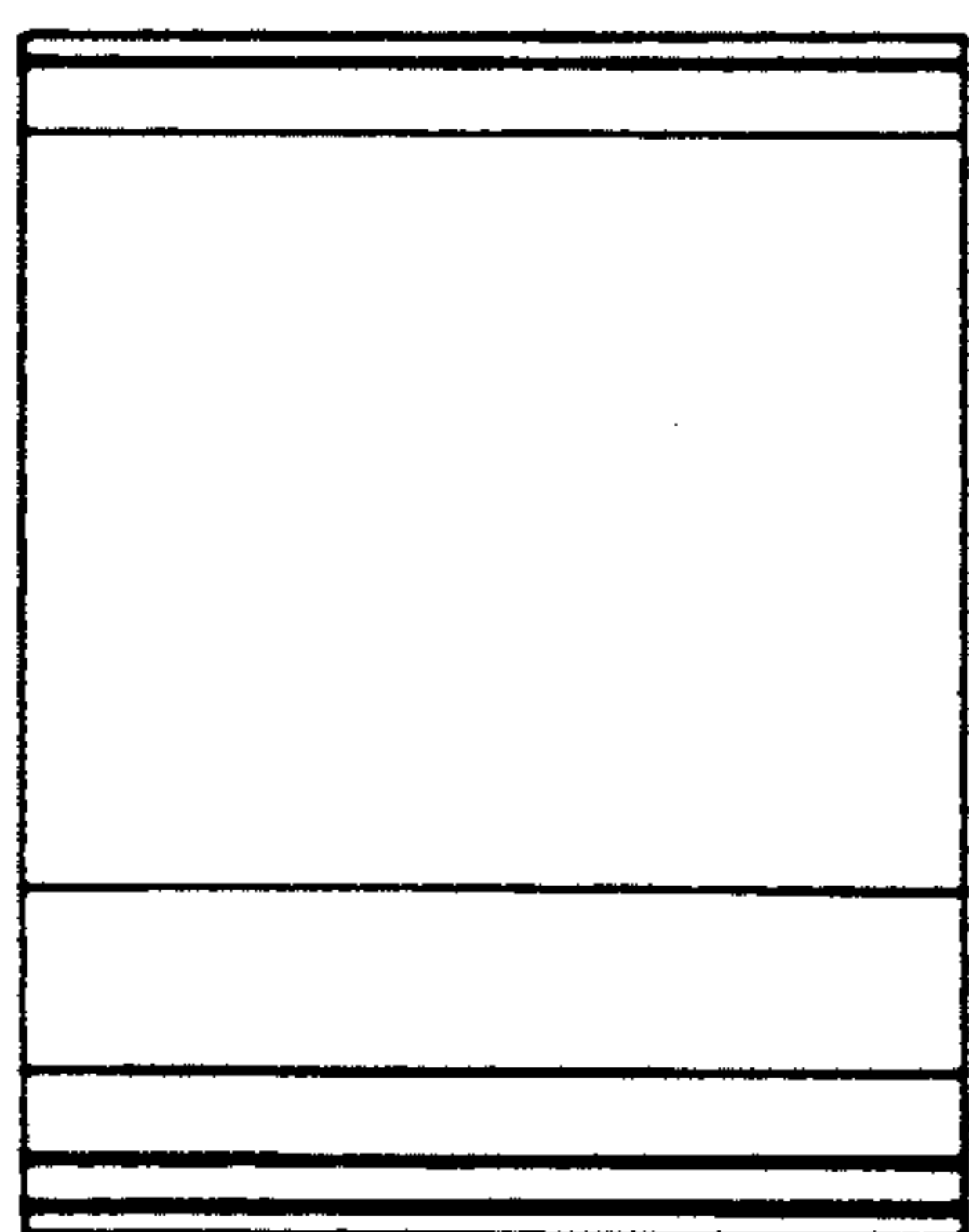
#### U.S. PATENT DOCUMENTS

D. 257,389	1/1981	Moussette .....	D13/134 X
D. 291,557	8/1987	Engel .....	D13/135
D. 300,215	3/1989	Brenner et al. ....	D13/134
D. 313,005	12/1990	Zimmerman .....	D13/134
2,683,836	7/1954	Lemmers .....	D13/138 X

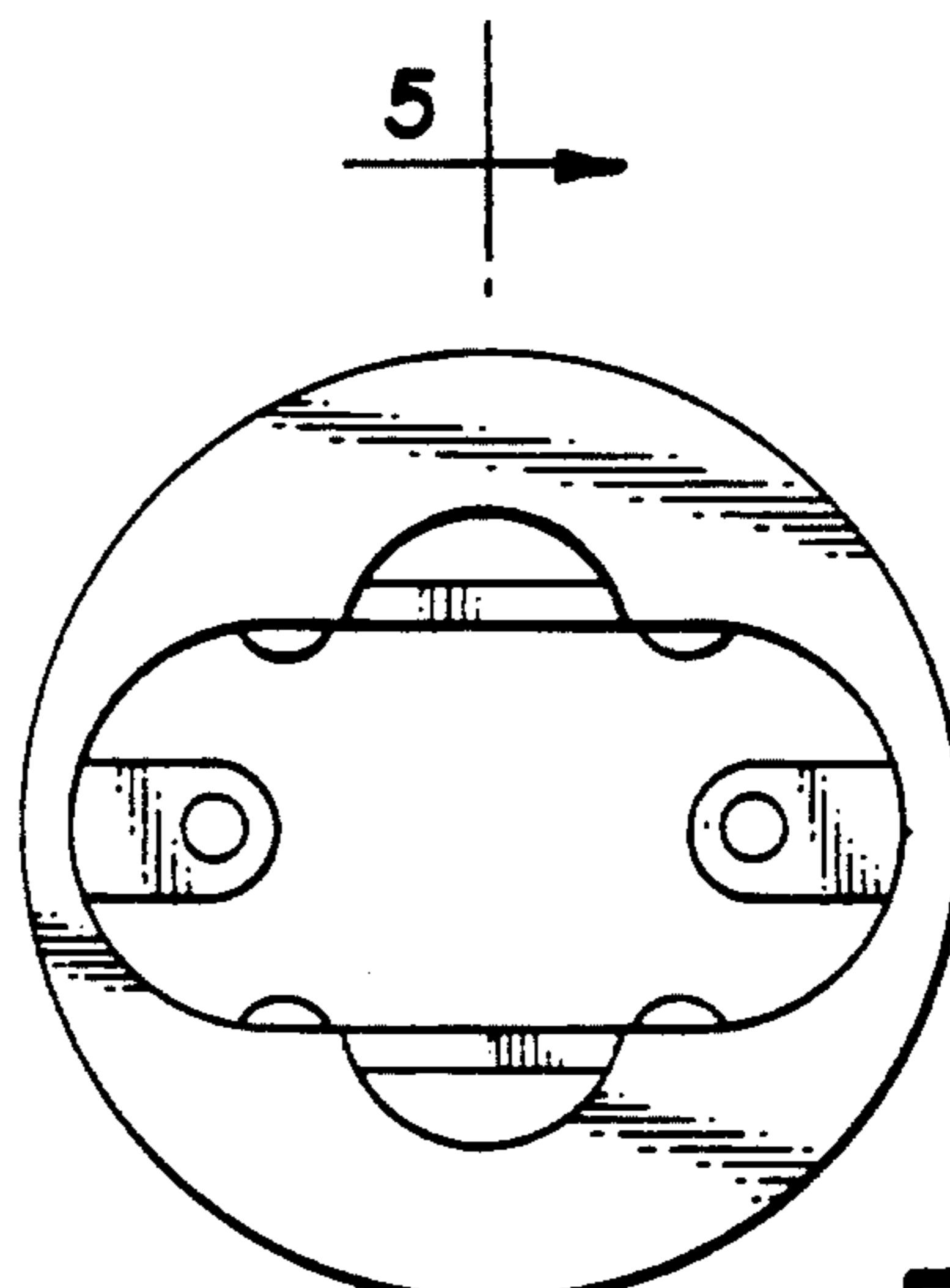




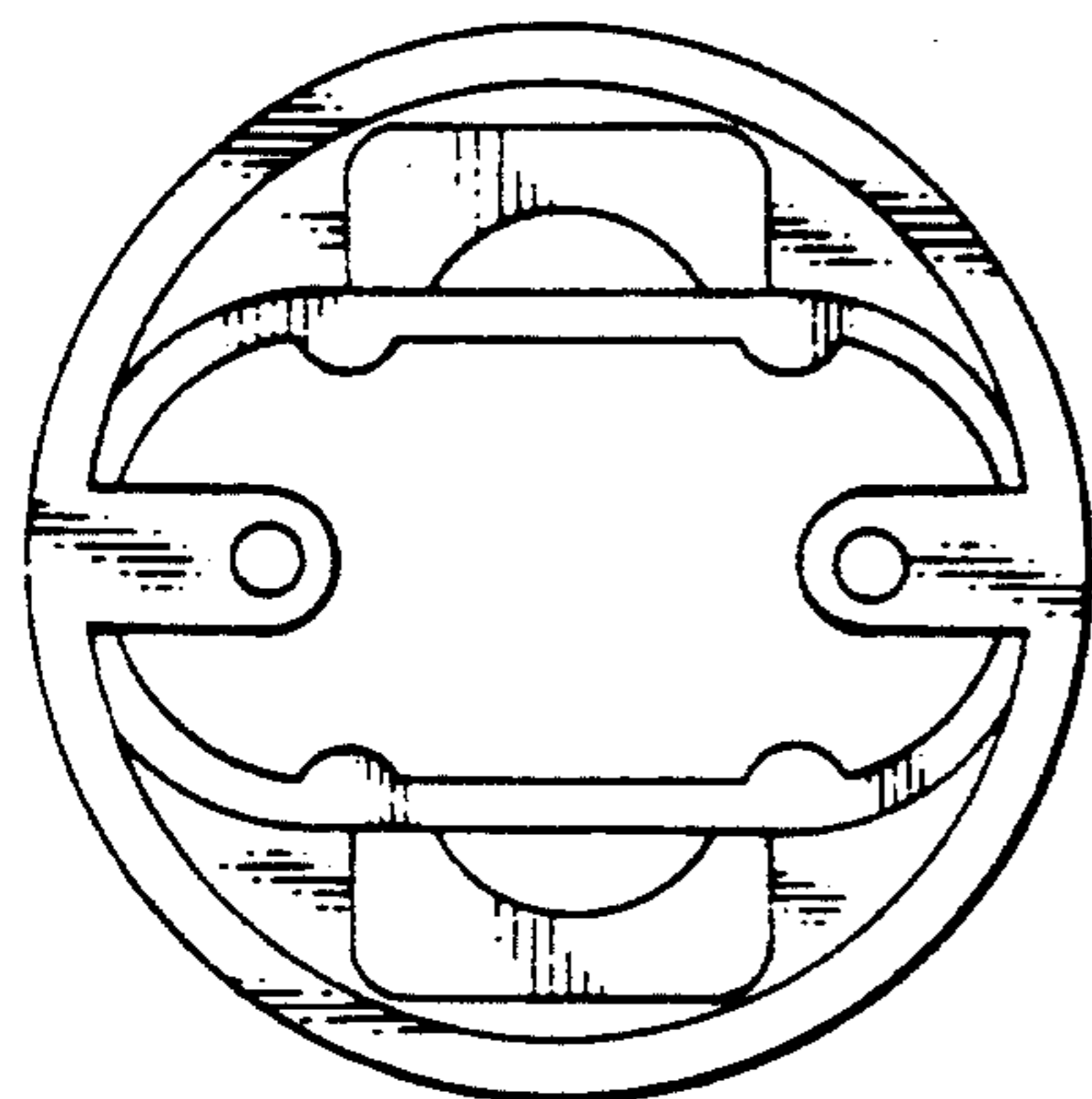
*Fig. 1*



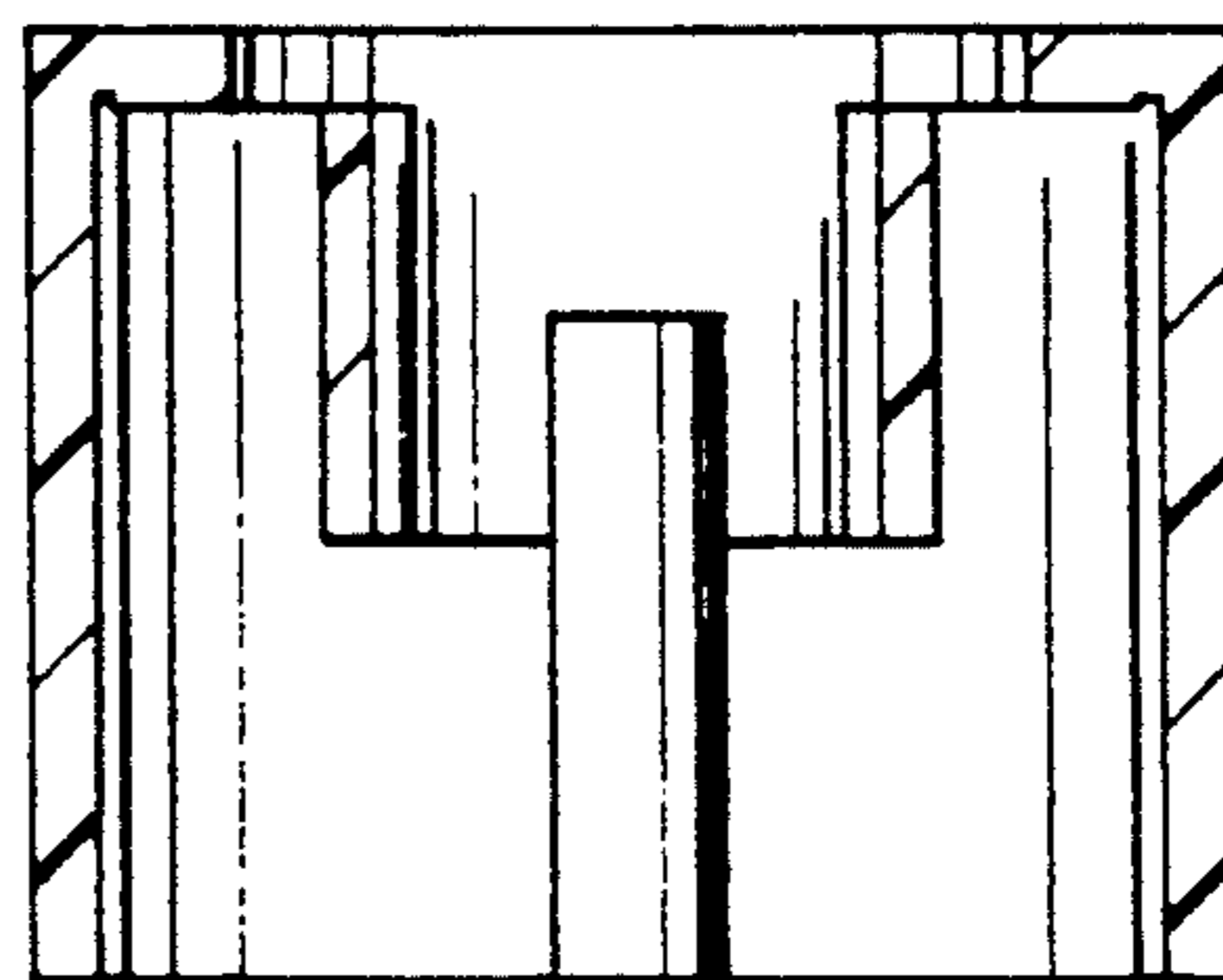
*Fig. 2*



*Fig. 3*



*Fig. 4*



*Fig. 5*