



US00D348248S

# United States Patent [19] Cooper

[11] Patent Number: **Des. 348,248**  
[45] Date of Patent: **\*\* Jun. 28, 1994**

## [54] ELECTRONIC CIRCUIT HOUSING

- [75] Inventor: **David Cooper**, Seattle, Wash.
- [73] Assignee: **Eldec Corporation**, Lynnwood, Wash.
- [\*\*] Term: **14 Years**
- [21] Appl. No.: **9,363**
- [22] Filed: **Jun. 9, 1993**

### Related U.S. Application Data

- [62] Division of Ser. No. 954,930, Sep. 29, 1992.
- [52] U.S. Cl. .... **D13/110**
- [58] Field of Search ..... 361/111, 386, 388, 392;  
336/90, 92, 200; 363/15, 95; 307/150, 151;  
174/52.1, 52.2; D13/110, 123, 124, 184

### [56] References Cited

#### U.S. PATENT DOCUMENTS

- |            |         |                      |          |
|------------|---------|----------------------|----------|
| D. 224,971 | 10/1972 | Projain et al. ....  | D13/124  |
| D. 297,928 | 10/1988 | Harpley et al. ....  | D13/110  |
| 2,876,424  | 3/1958  | Stiler .....         | 336/192  |
| 4,012,672  | 3/1977  | Douglass et al. .... | 336/2 X  |
| 4,487,999  | 12/1984 | Baird et al. ....    | 174/52   |
| 4,656,450  | 4/1987  | Jarosz et al. ....   | 336/92 X |

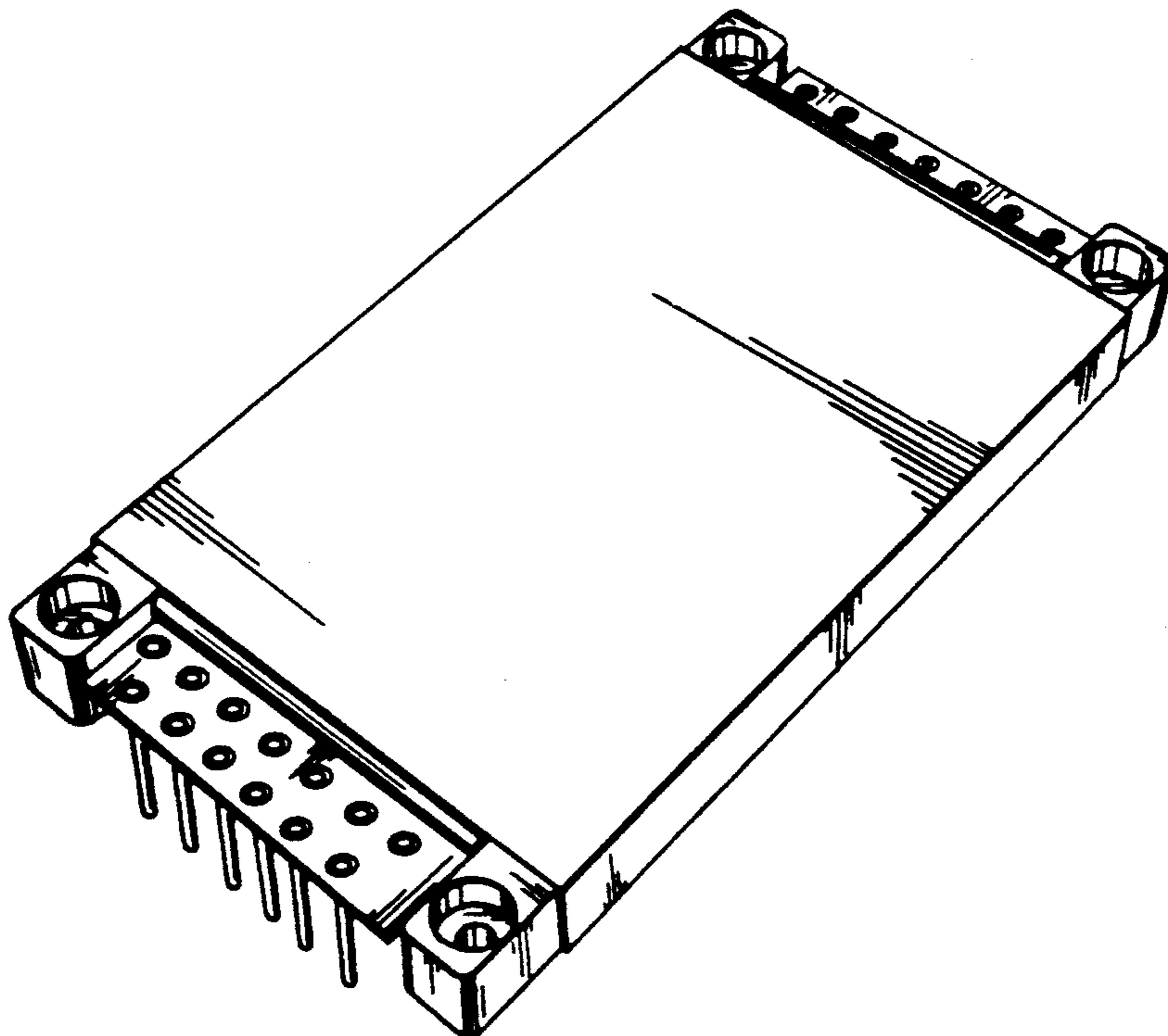
*Primary Examiner*—Wallace R. Burke  
*Assistant Examiner*—Joel Sincavage  
*Attorney, Agent, or Firm*—Christensen, O'Connor,  
 Johnson & Kindness

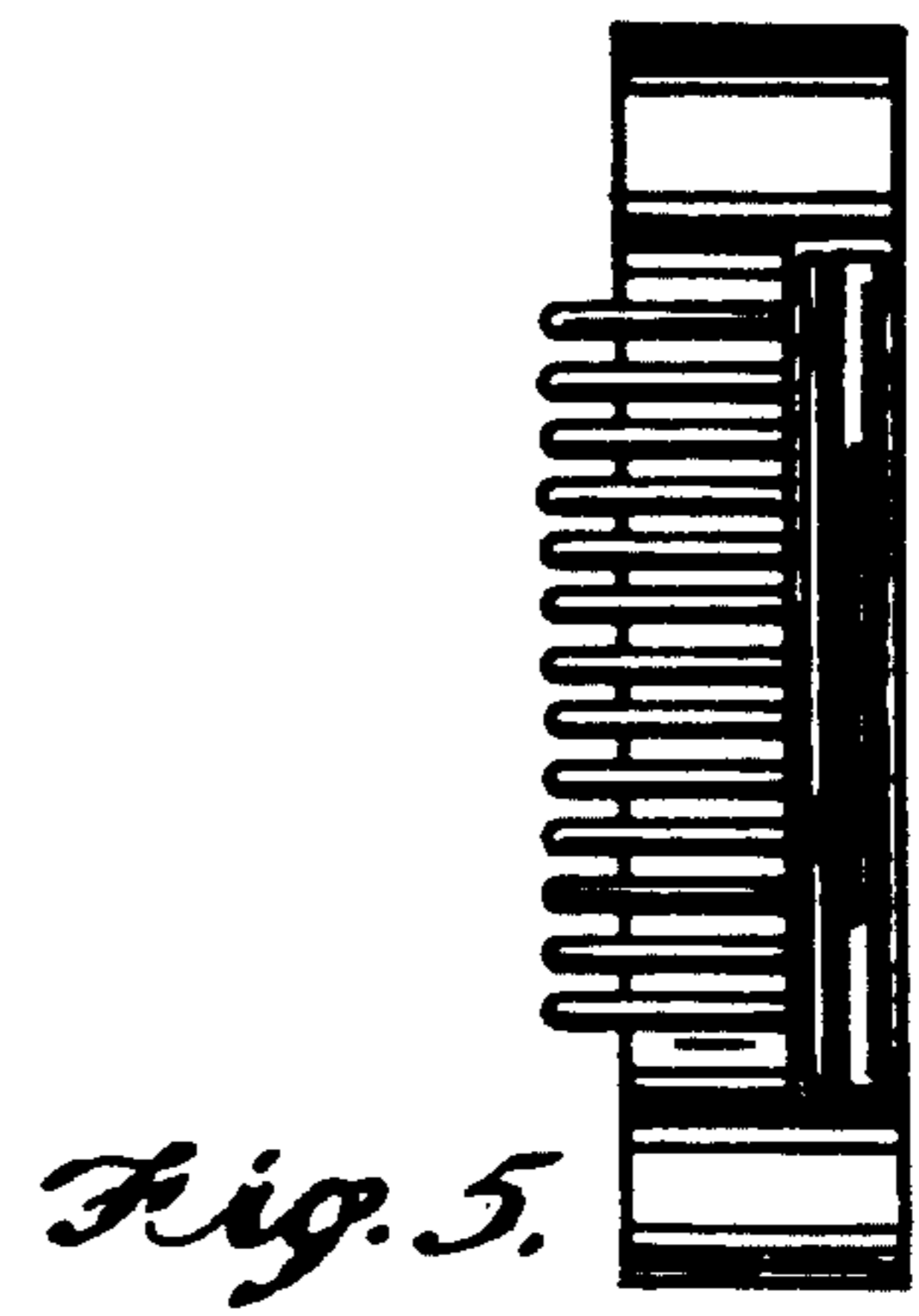
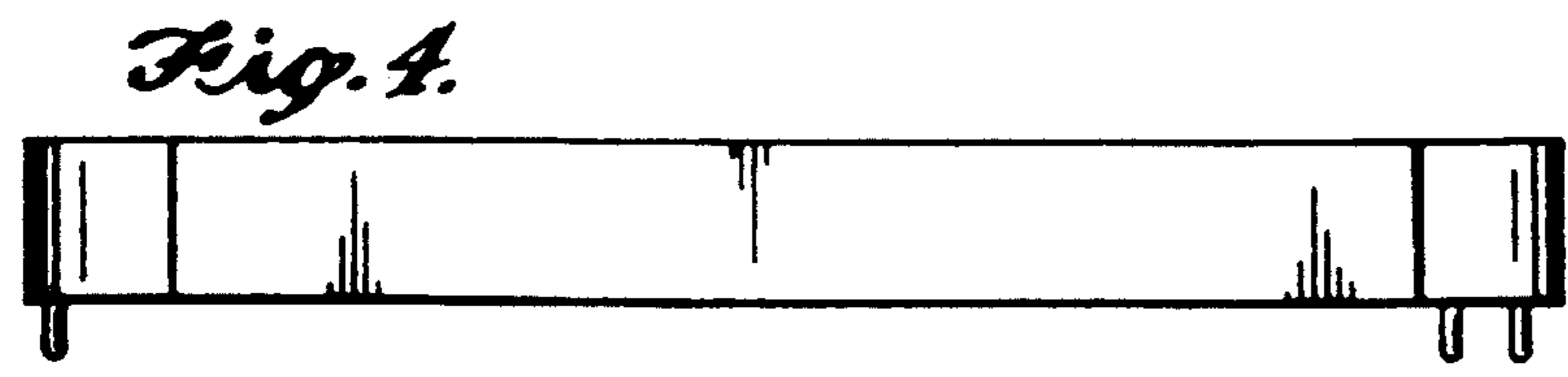
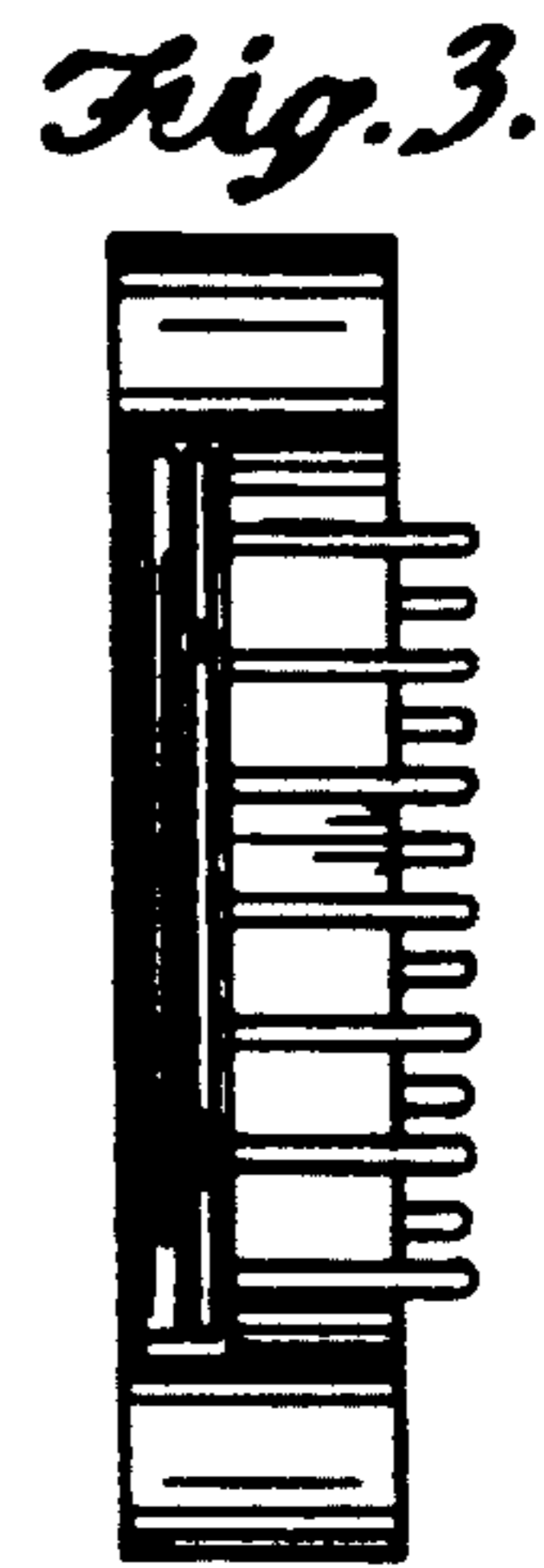
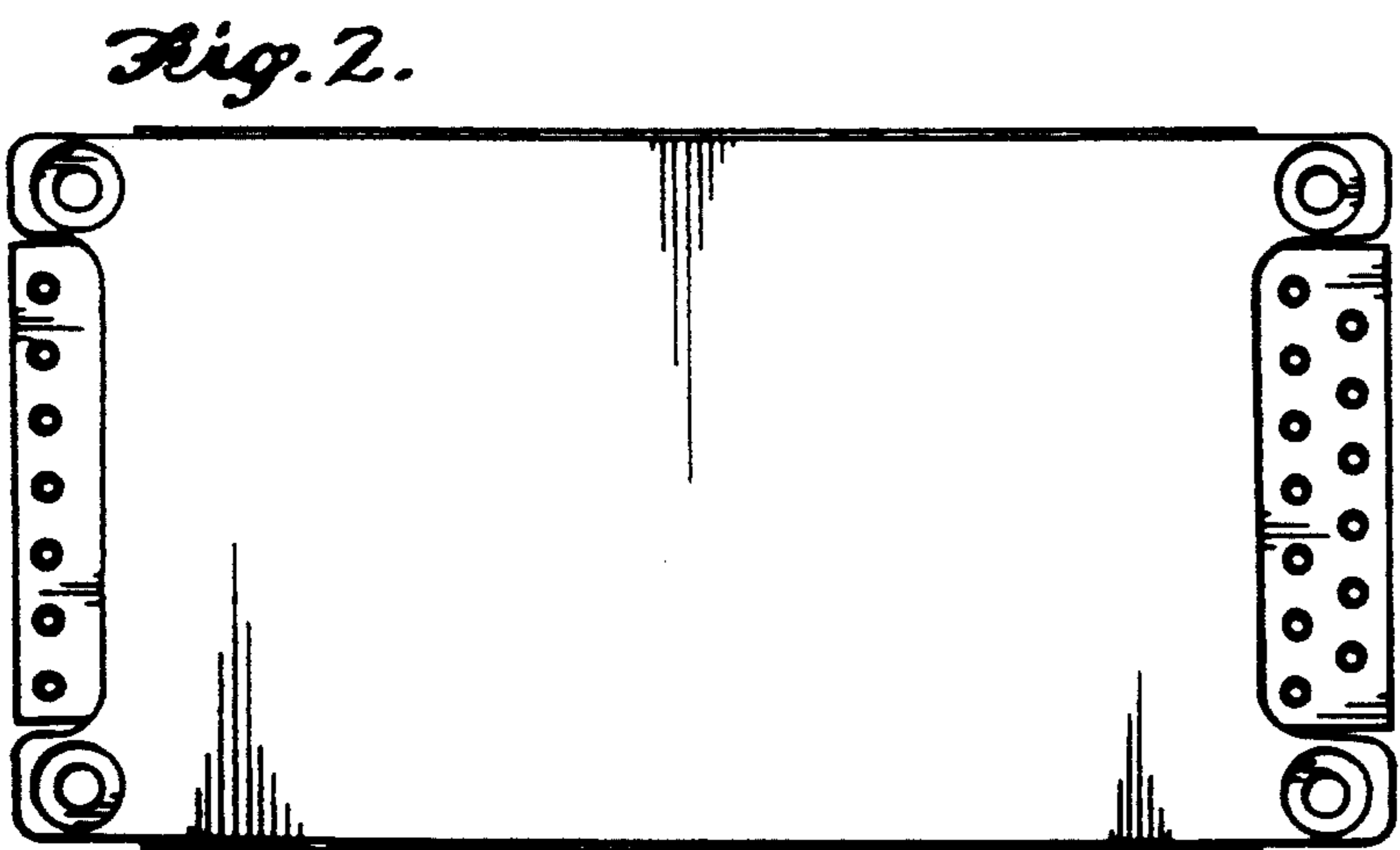
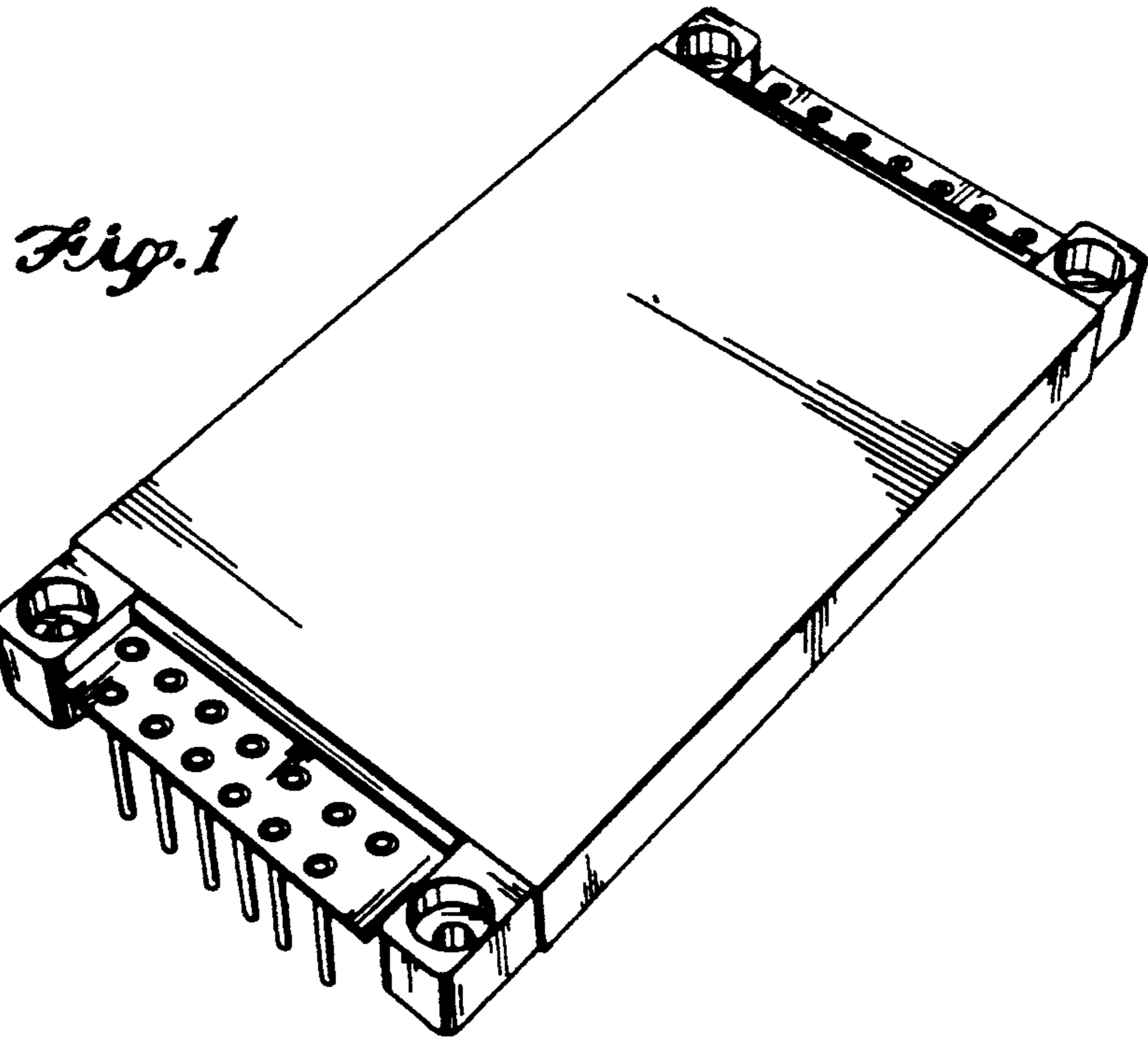
## [57] CLAIM

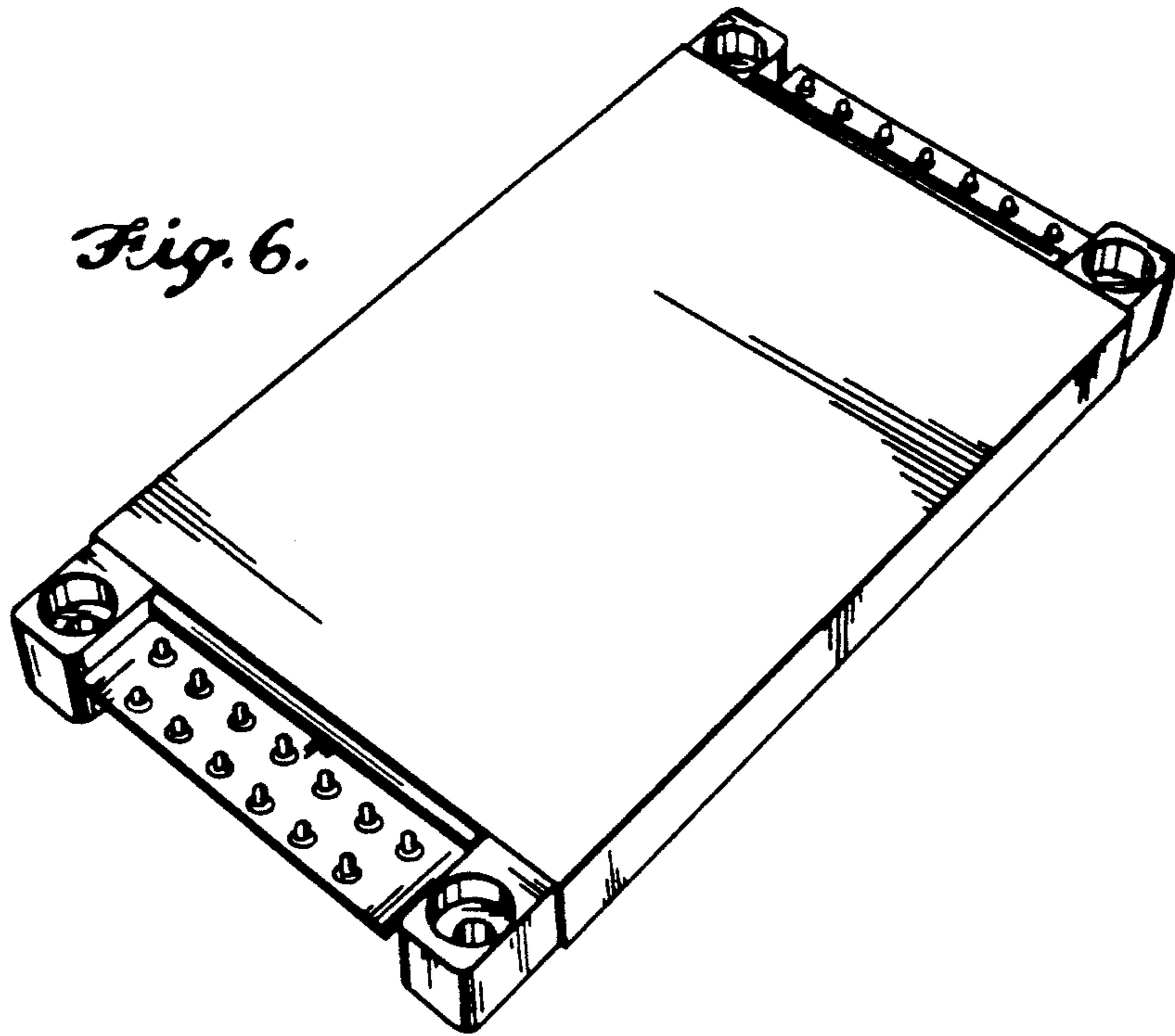
The ornamental design for an electronic circuit housing, as shown and described.

## DESCRIPTION

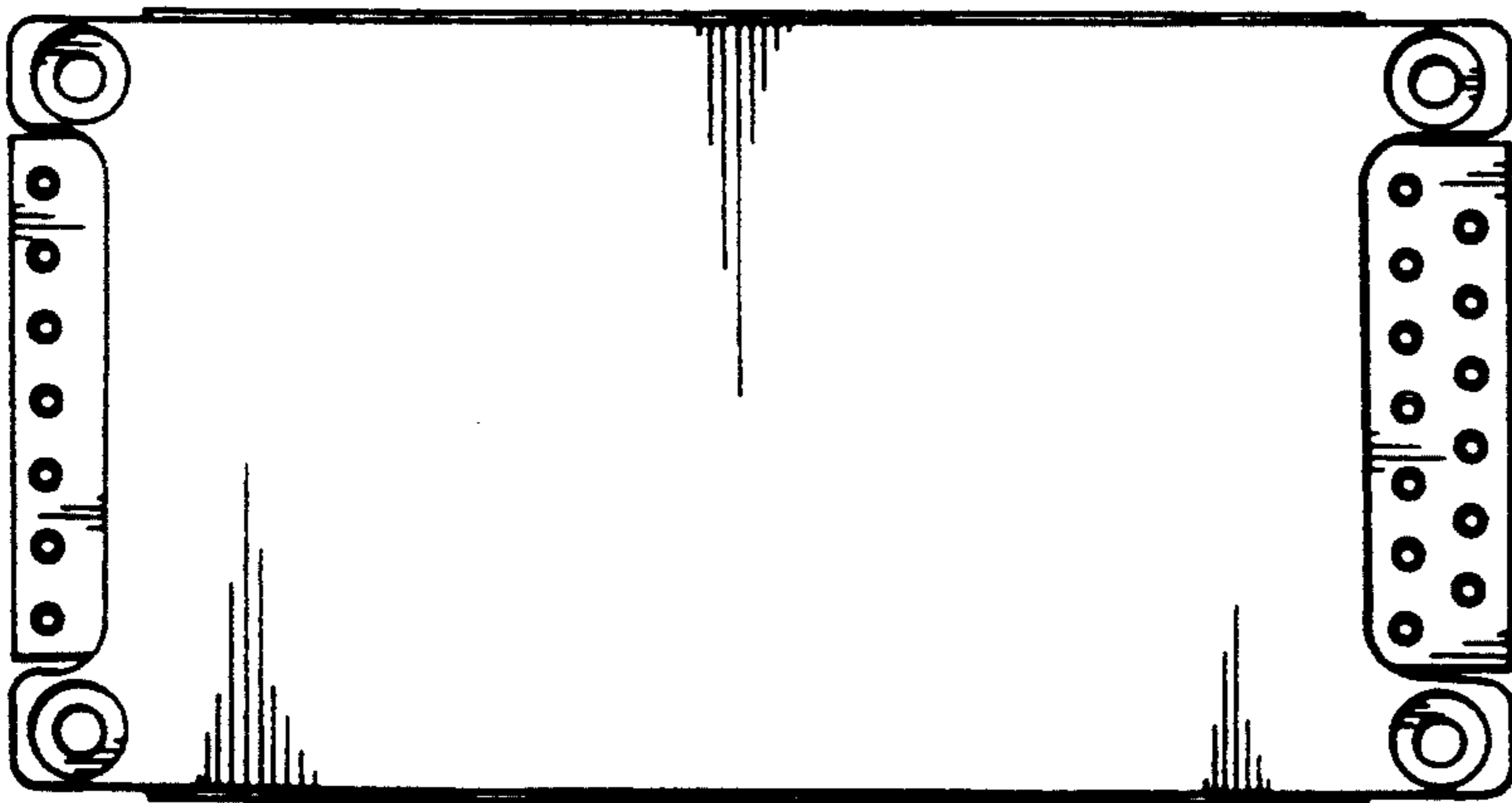
FIG. 1 is a top front perspective view of an electronic circuit housing showing my new design;  
 FIG. 2 is a bottom plan view thereof;  
 FIG. 3 is an end elevational view thereof taken from the left of FIG. 2;  
 FIG. 4 is a rear elevational view thereof;  
 FIG. 5 is an end elevational view thereof taken from the right of FIG. 2;  
 FIG. 6 is a top front perspective view of a second embodiment thereof;  
 FIG. 7 is a bottom plan view of the second embodiment thereof;  
 FIG. 8 is an end elevational view of the second embodiment thereof taken from the left of FIG. 7;  
 FIG. 9 is a rear elevational view of the second embodiment thereof;  
 FIG. 10 is an end elevational view of the second embodiment thereof taken from the right of FIG. 7;  
 FIG. 11 is a top front perspective view of a third embodiment thereof;  
 FIG. 12 is a bottom plan view of the third embodiment thereof;  
 FIG. 13 is an end elevational view of the third embodiment thereof taken from the left of FIG. 12;  
 FIG. 14 is a rear elevational view of the third embodiment thereof; and,  
 FIG. 15 is an end elevational view of the third embodiment thereof taken from the right of FIG. 12.



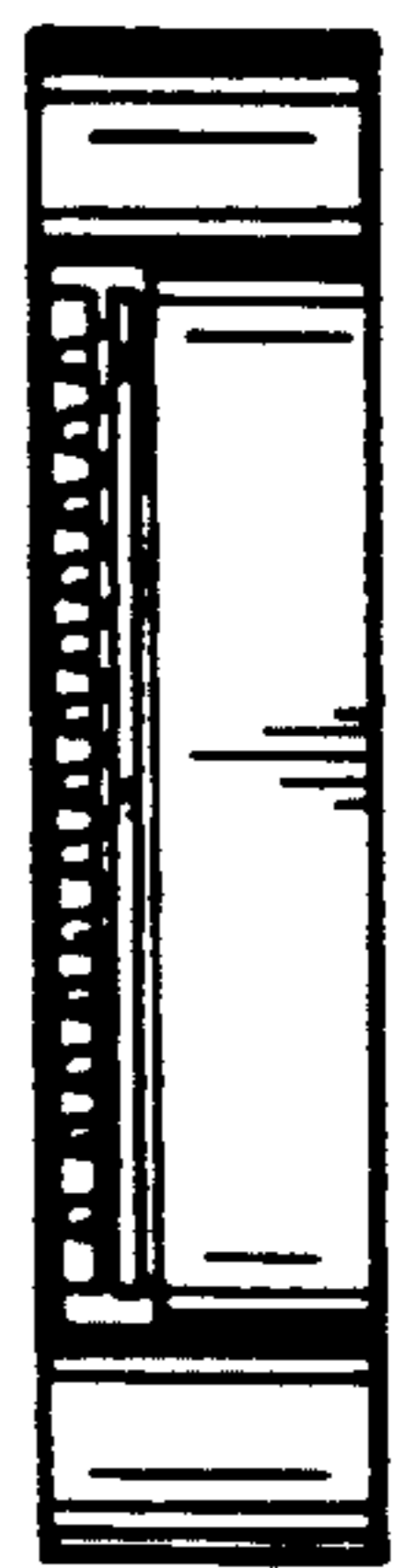




*Fig. 7.*



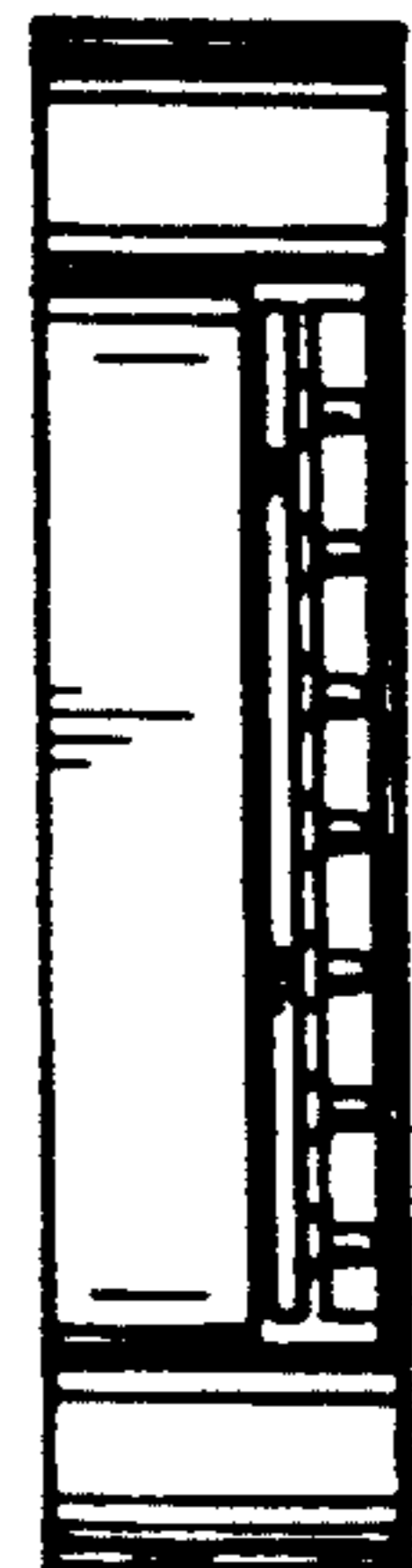
*Fig. 8.*



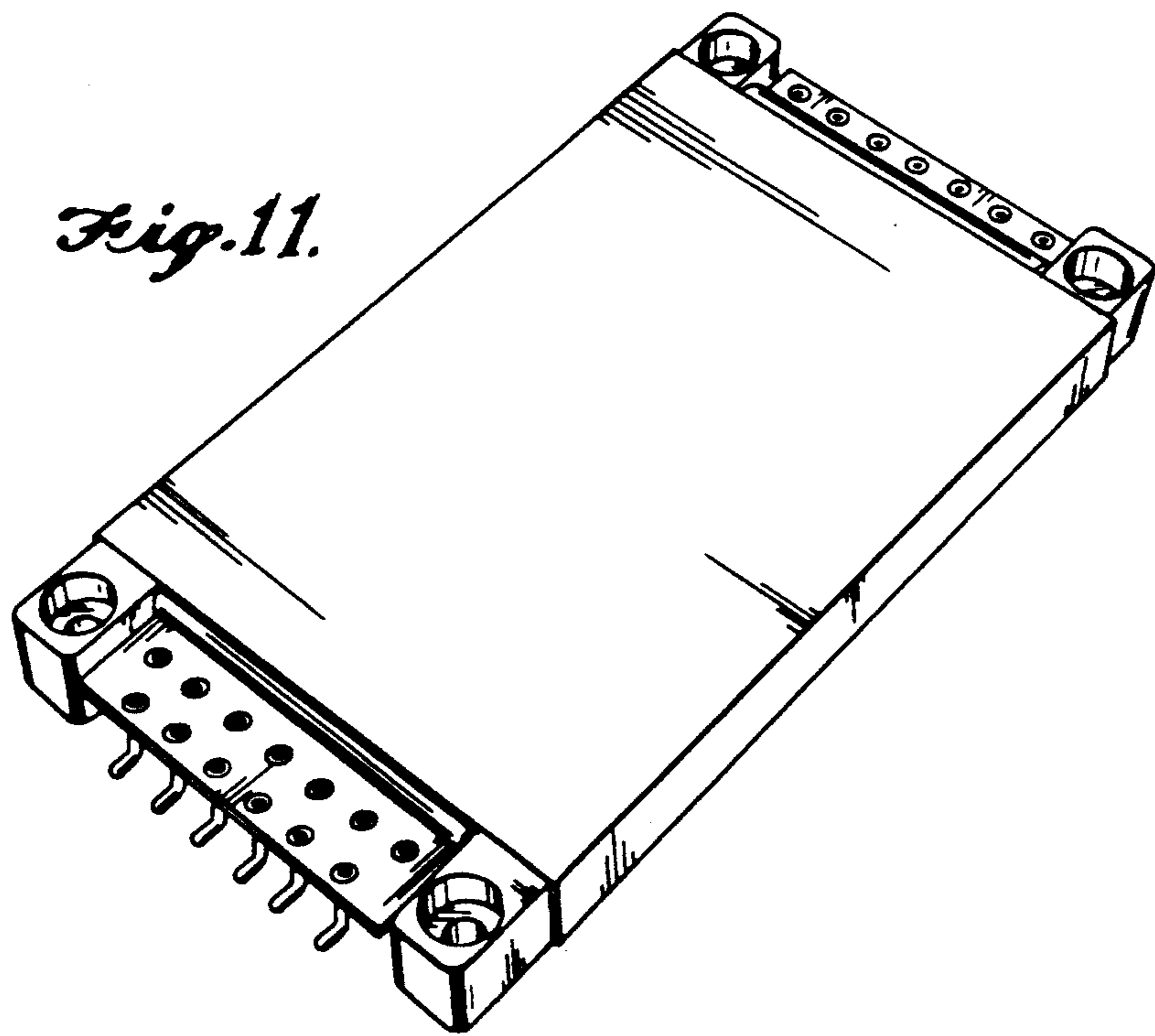
*Fig. 9.*



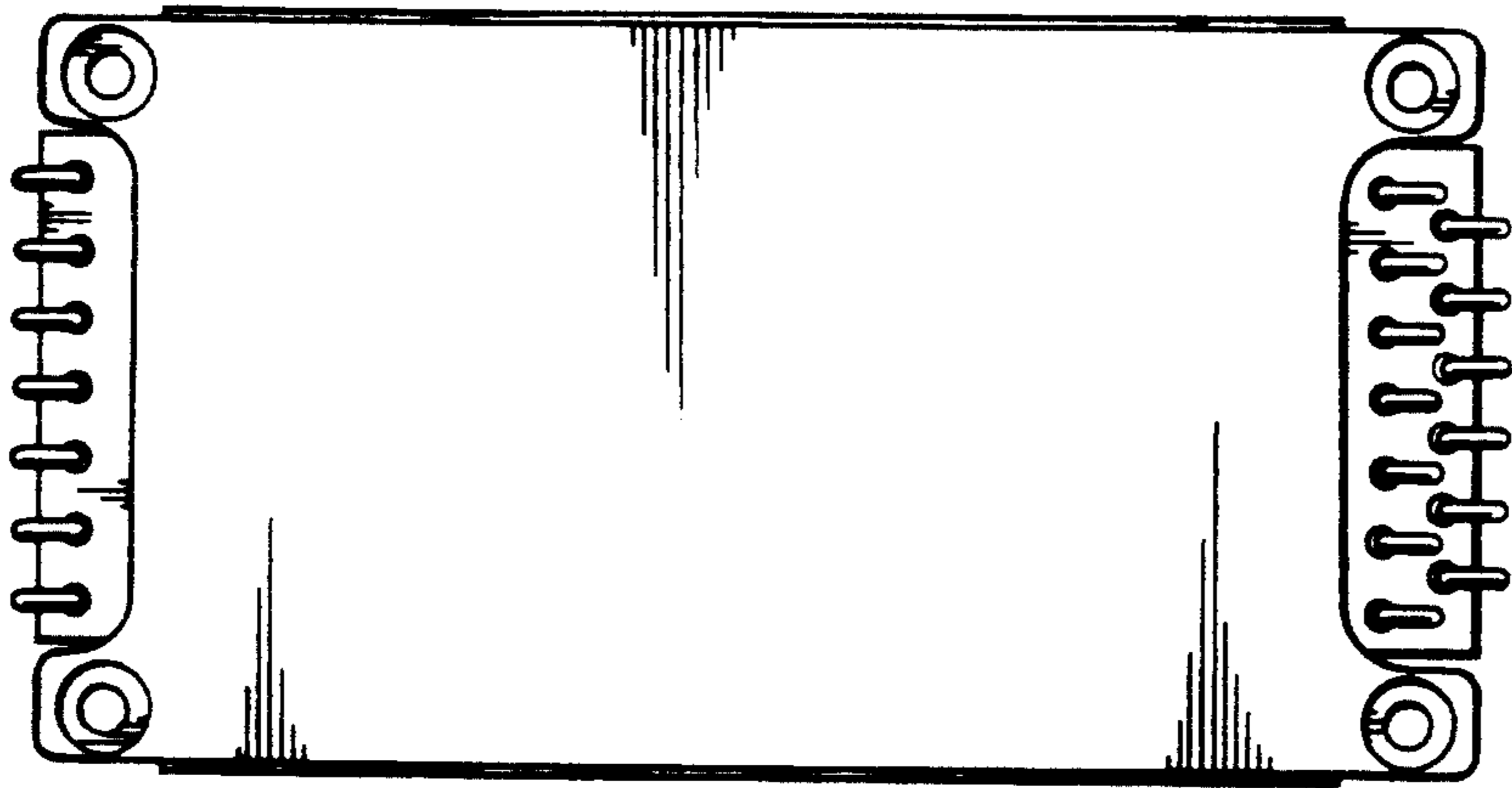
*Fig. 10.*



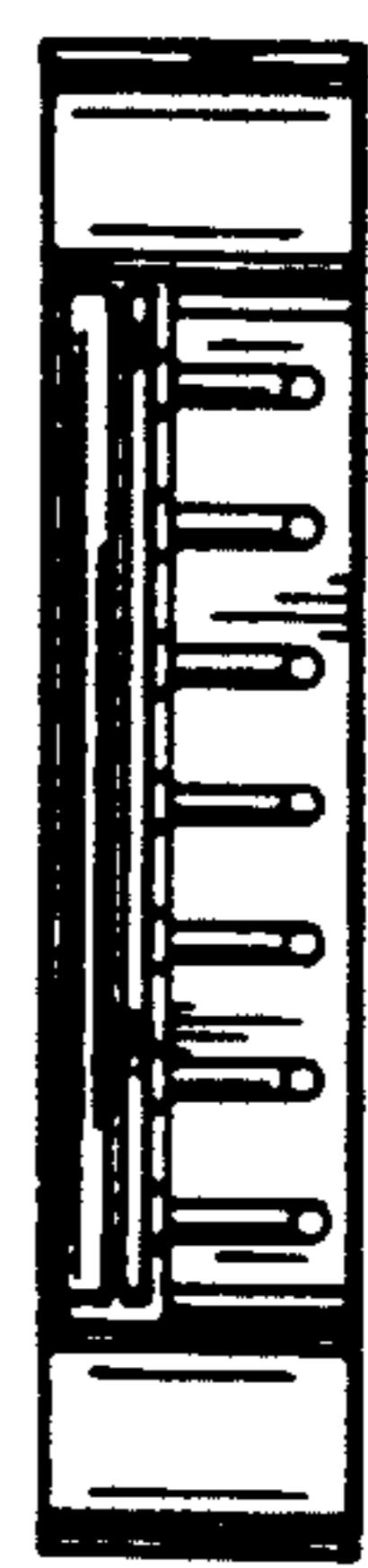
*Fig. 11.*



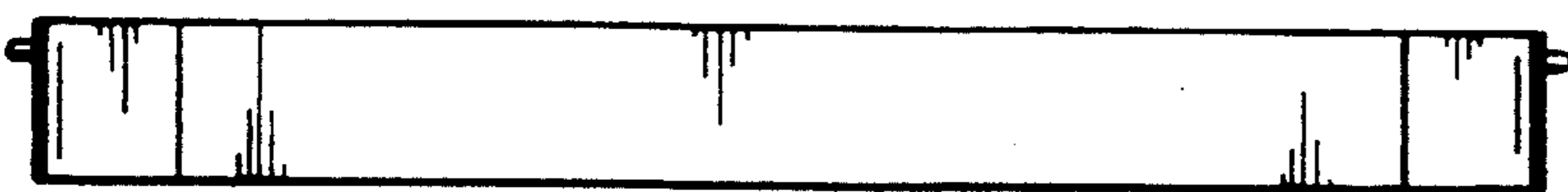
*Fig. 12.*



*Fig. 13.*



*Fig. 14.*



*Fig. 15.*

