



US00D348245S

United States Patent [19]

[11] Patent Number: **Des. 348,245**

Blum

[45] Date of Patent: **** Jun. 28, 1994**

[54] **AIRPLANE**

[56] **References Cited**

[76] Inventor: **Albert Blum**, Brüsseler Strasse 6,
Troisdorf-Spich, Fed. Rep. of
Germany

U.S. PATENT DOCUMENTS

D. 280,892 10/1985 Mazzoni D12/332
4,116,405 9/1978 Bocchi et al. 244/45 R

[**] Term: **14 Years**

Primary Examiner—Kay H. Chin
Attorney, Agent, or Firm—Brooks & Kushman

[21] Appl. No.: **2,502**

[57] **CLAIM**

The ornamental design for an airplane, as shown and described.

[22] Filed: **Dec. 10, 1992**

[30] **Foreign Application Priority Data**

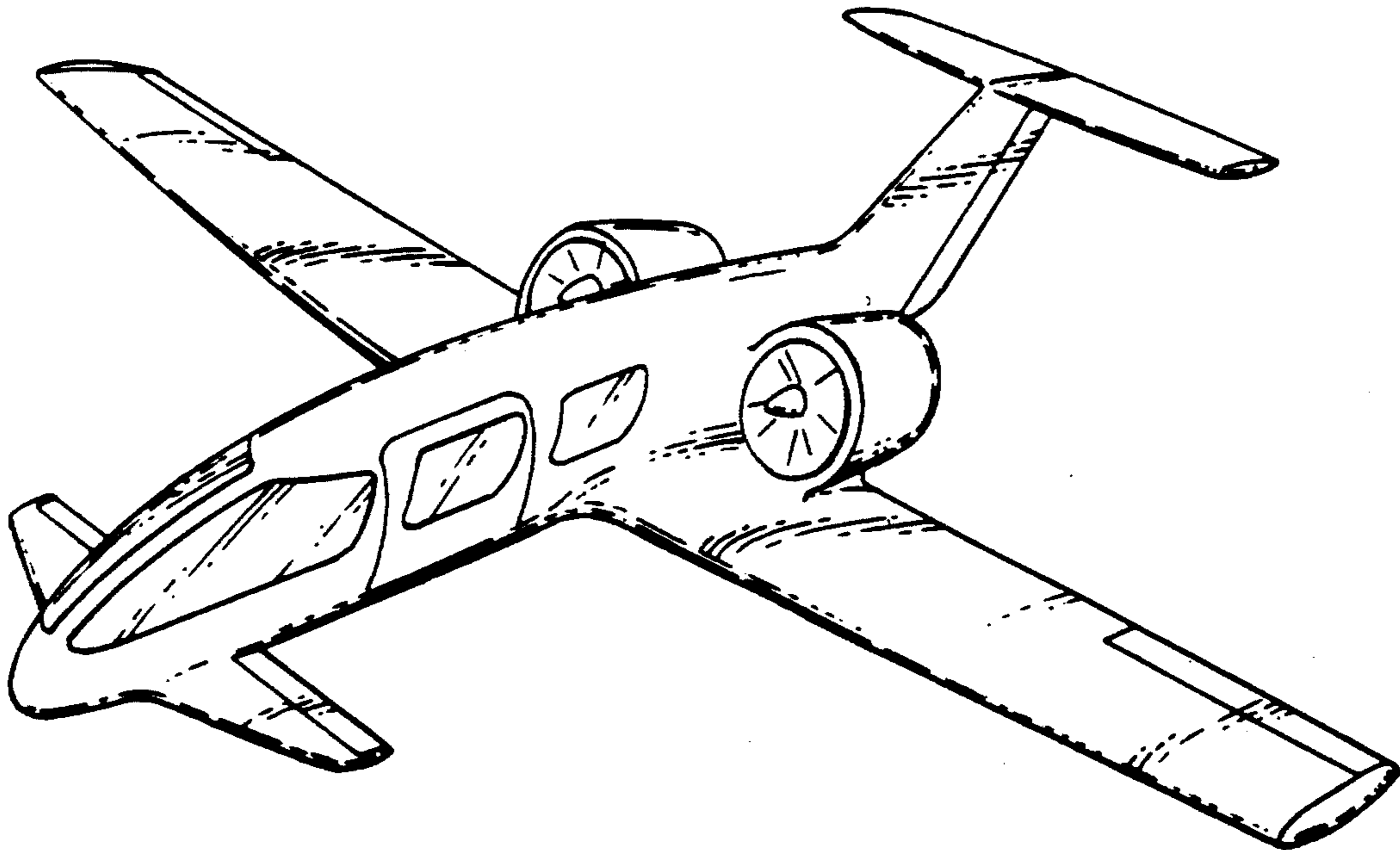
DESCRIPTION

Jun. 12, 1992 [DE] Fed. Rep. of Germany 92043577

[52] U.S. Cl. **D12/332; D12/331**

[58] Field of Search 244/45 R, 45 A, 55,
244/13; D12/300, 332, 337, 341, 331

FIG. 1 is a top perspective view of the design;
FIG. 2 is a top plan view of the design;
FIG. 3 is a right elevational view of the design;
FIG. 4 is a front elevational view of the design; and,
FIG. 5 is a bottom plan view of the design.



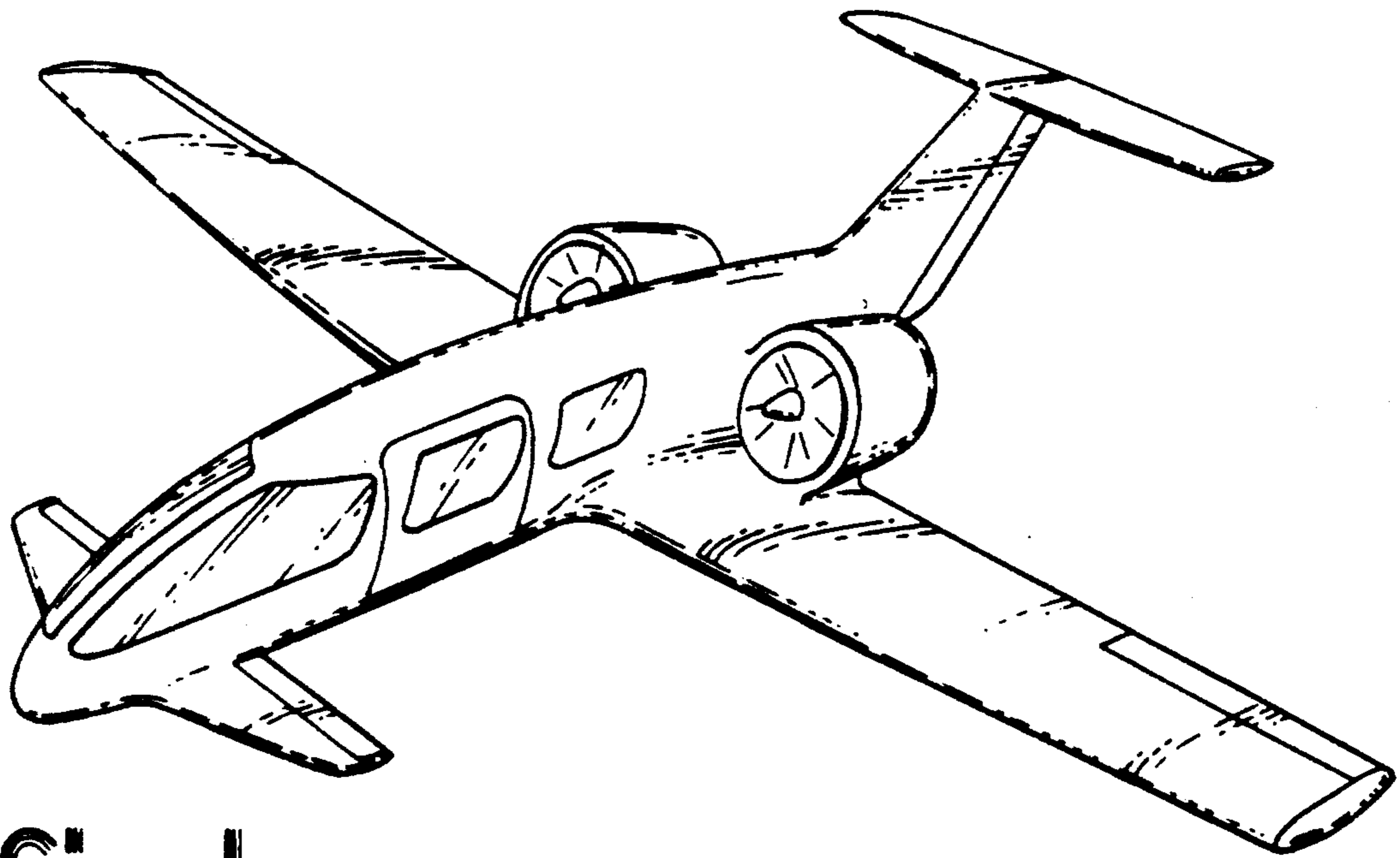


fig-1

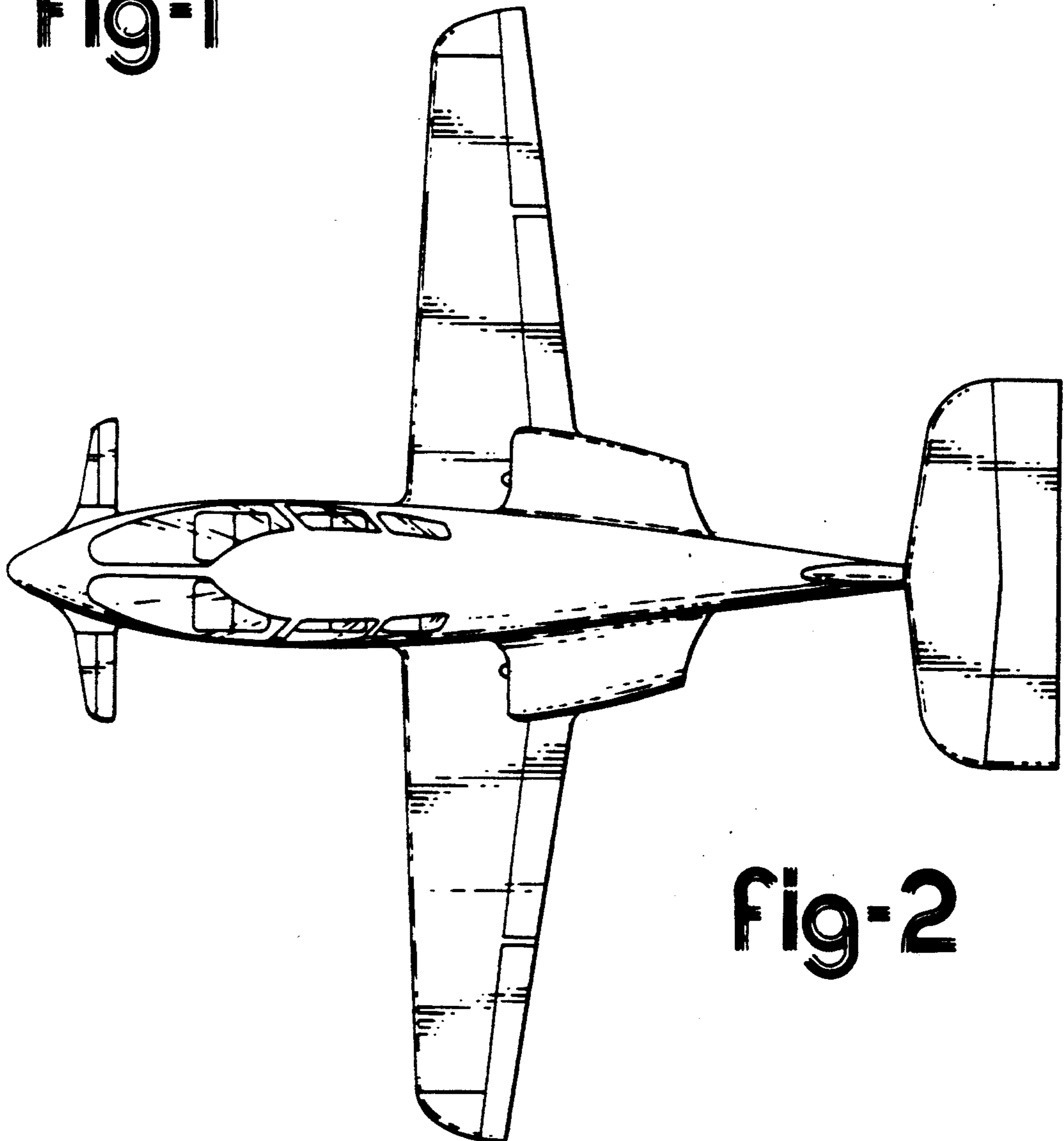


fig-2

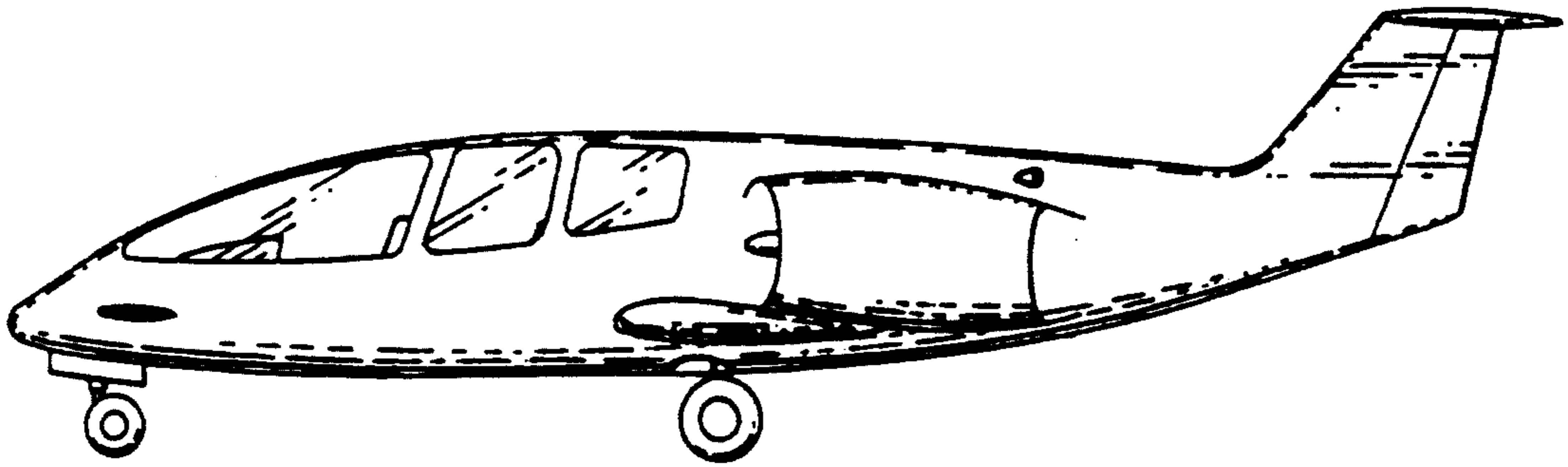


fig-3

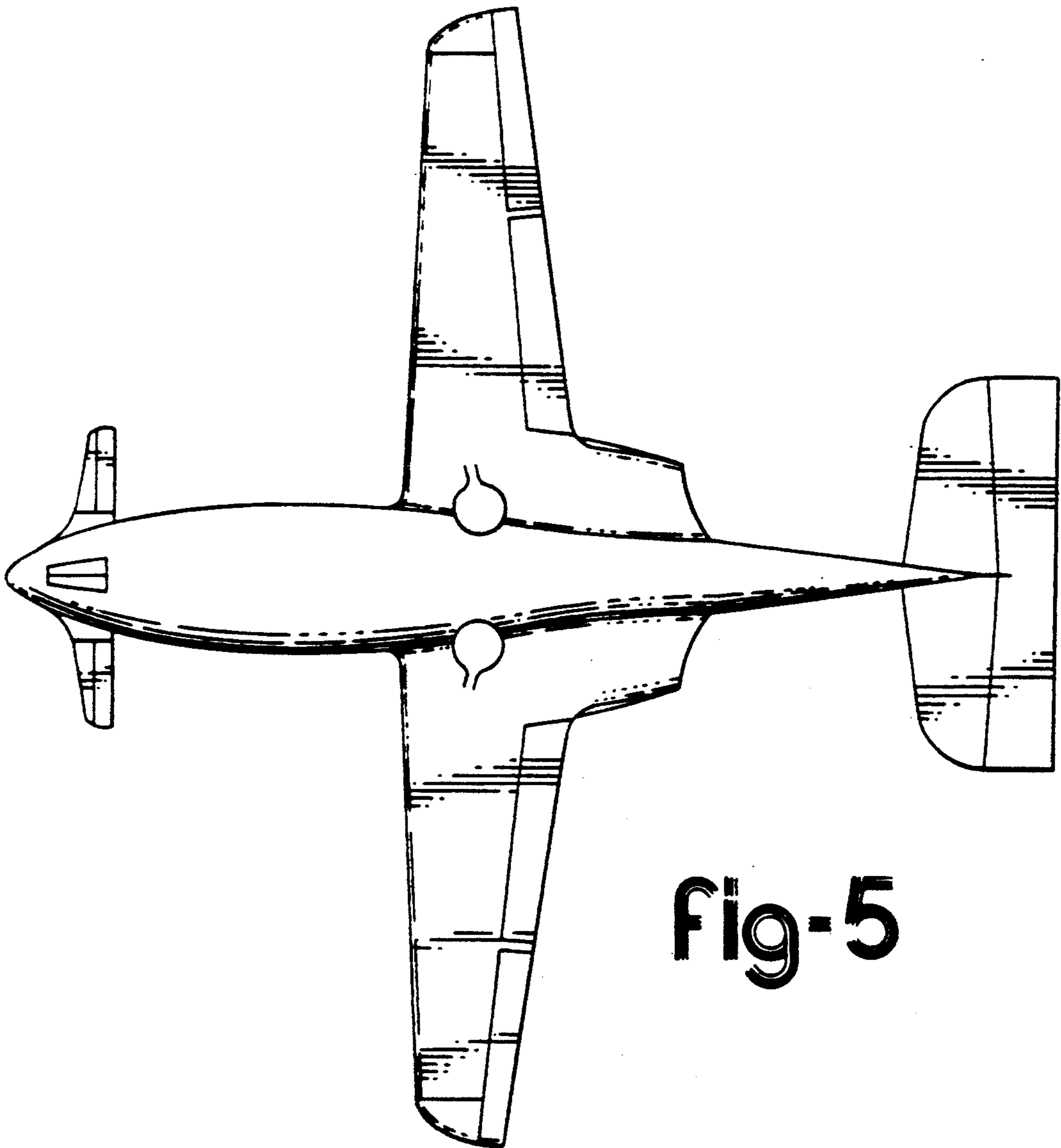


fig-5

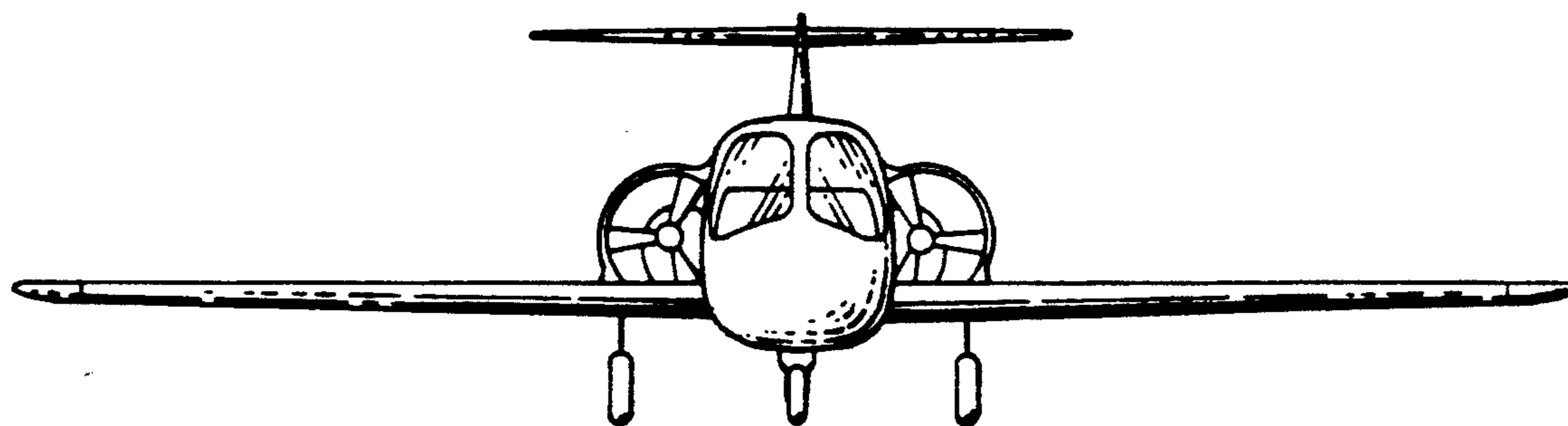


Fig-4