



US00D348243S

# United States Patent [19]

[11] Patent Number: **Des. 348,243**

**Echazabal et al.**

[45] Date of Patent: **\*\* Jun. 28, 1994**

[54] **VEHICLE WHEEL**

[75] Inventors: **Alberto Echazabal**, Hialeah Gardens, Fla.; **Claudio Bernoni**, Albano Terma (Pd), Italy

[73] Assignee: **Motoring Accessories, Inc.**, Miami, Fla.

[\*\*] Term: **14 Years**

[21] Appl. No.: **753**

[22] Filed: **Oct. 23, 1992**

[52] U.S. Cl. .... **D12/211**

[58] Field of Search ..... **301/63.1, 64.1, 65; D12/211, 205**

[56] **References Cited**

**U.S. PATENT DOCUMENTS**

D. 256,687 9/1980 Zielinski ..... D12/205  
1,388,910 8/1921 Worth ..... 301/64.1

**OTHER PUBLICATIONS**

Tire Review, Jun. 1992, Custom Wheel & Tire Style Guide Supplement, p. 28, CP Motor Sport DP A/X "16" Mesh Wheel, top, right center of page.

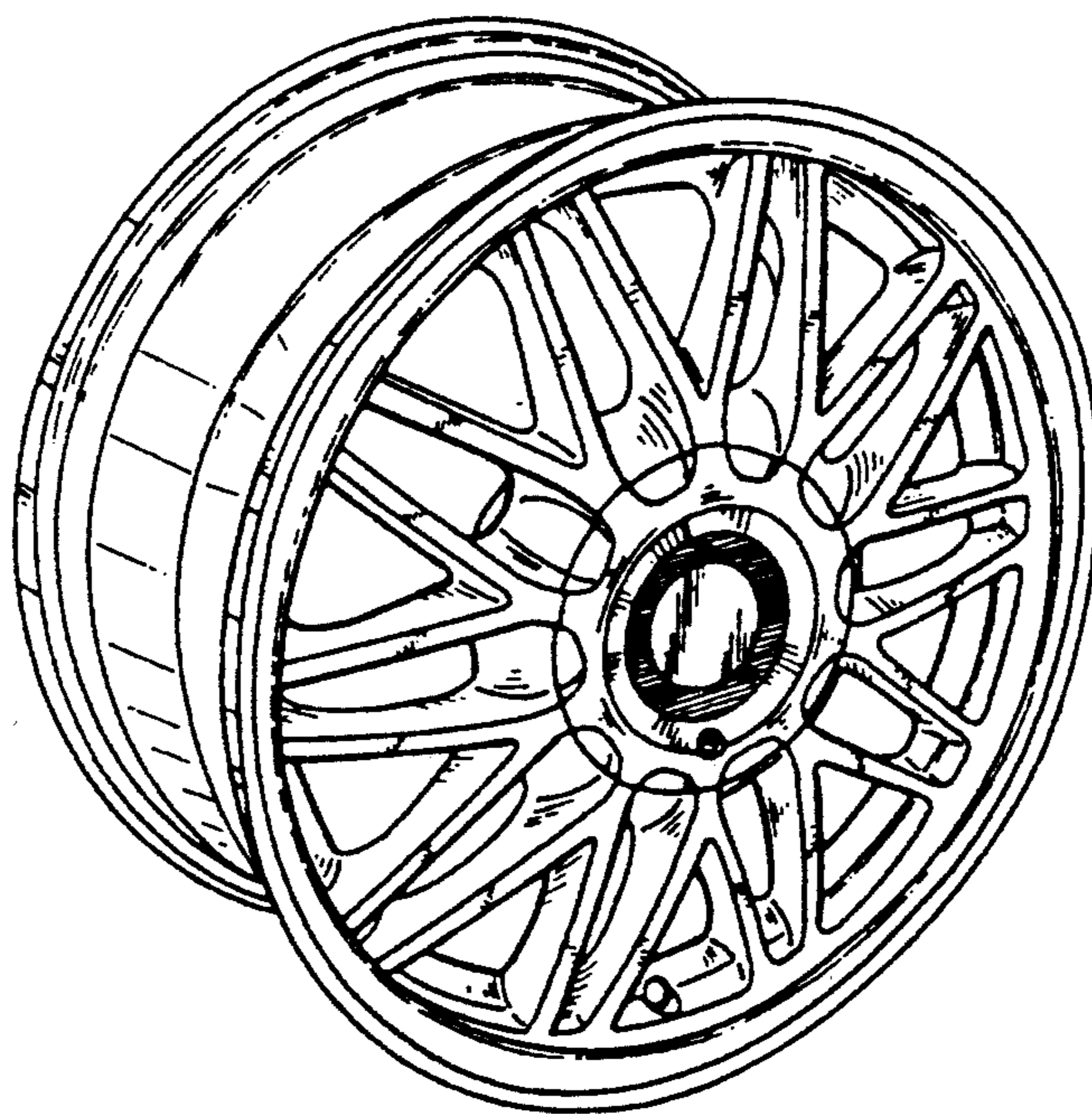
*Primary Examiner*—James M. Gandy  
*Attorney, Agent, or Firm*—Longacre & White

[57] **CLAIM**

The ornamental design for a vehicle wheel, as shown and described.

**DESCRIPTION**

FIG. 1 is a front, side and top perspective view of a vehicle wheel showing our new design;  
FIG. 2 is a front elevational view of the vehicle wheel shown in FIG. 1;  
FIG. 3 is a back elevational view of the vehicle wheel shown in FIG. 1; and,  
FIG. 4 is a side elevational view of the vehicle wheel shown in FIG. 1.



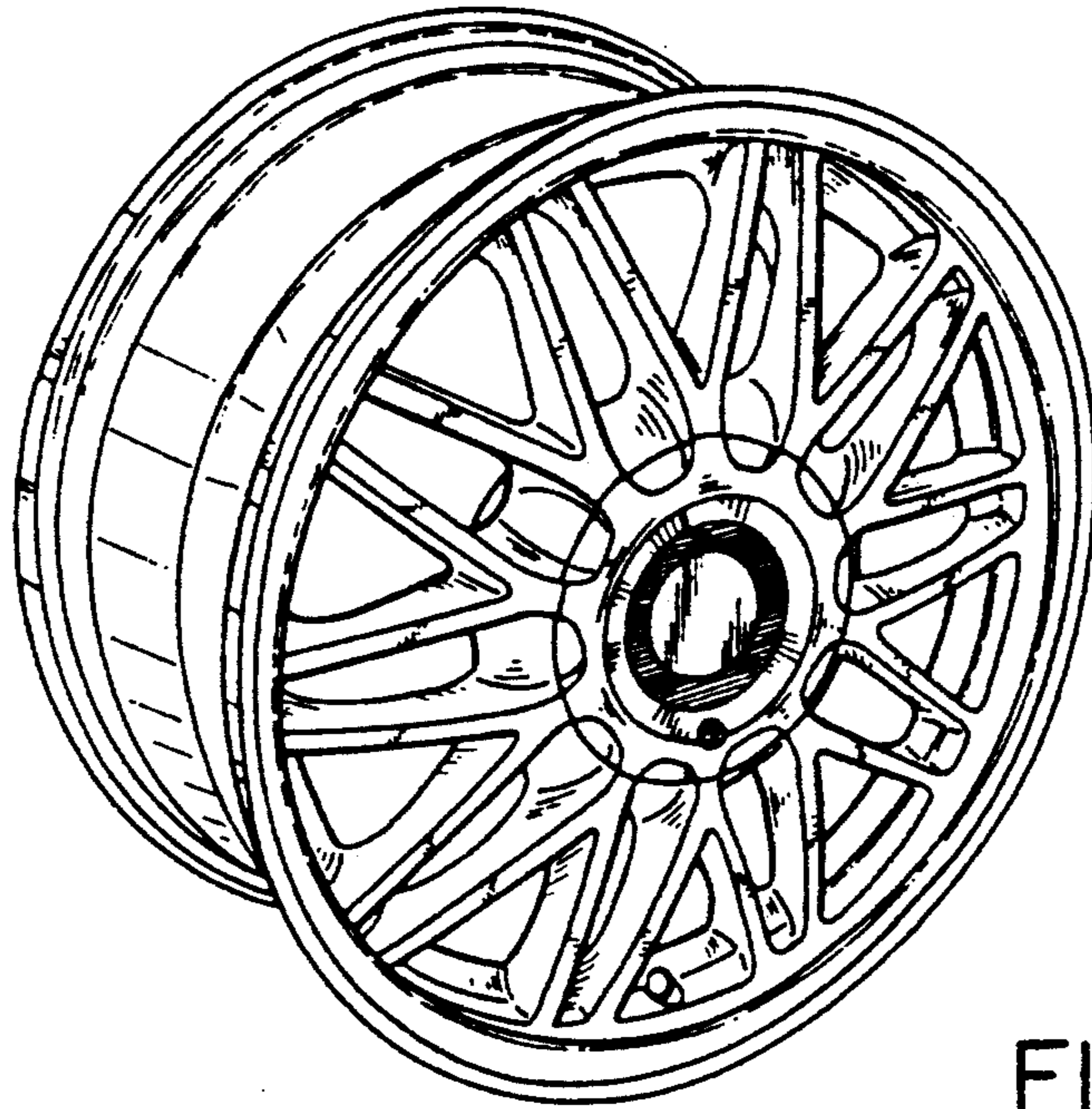


FIG. 1

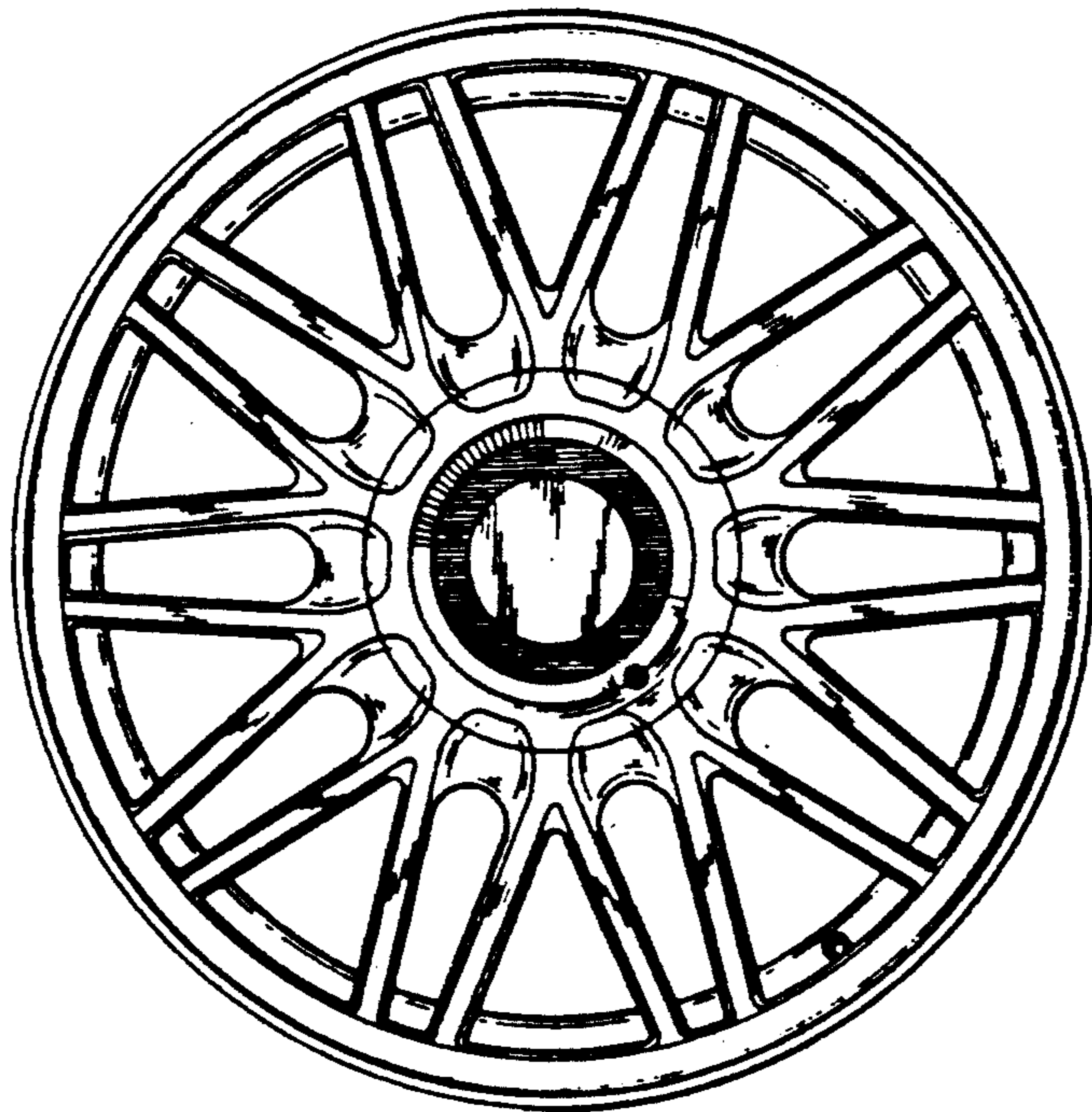


FIG. 2

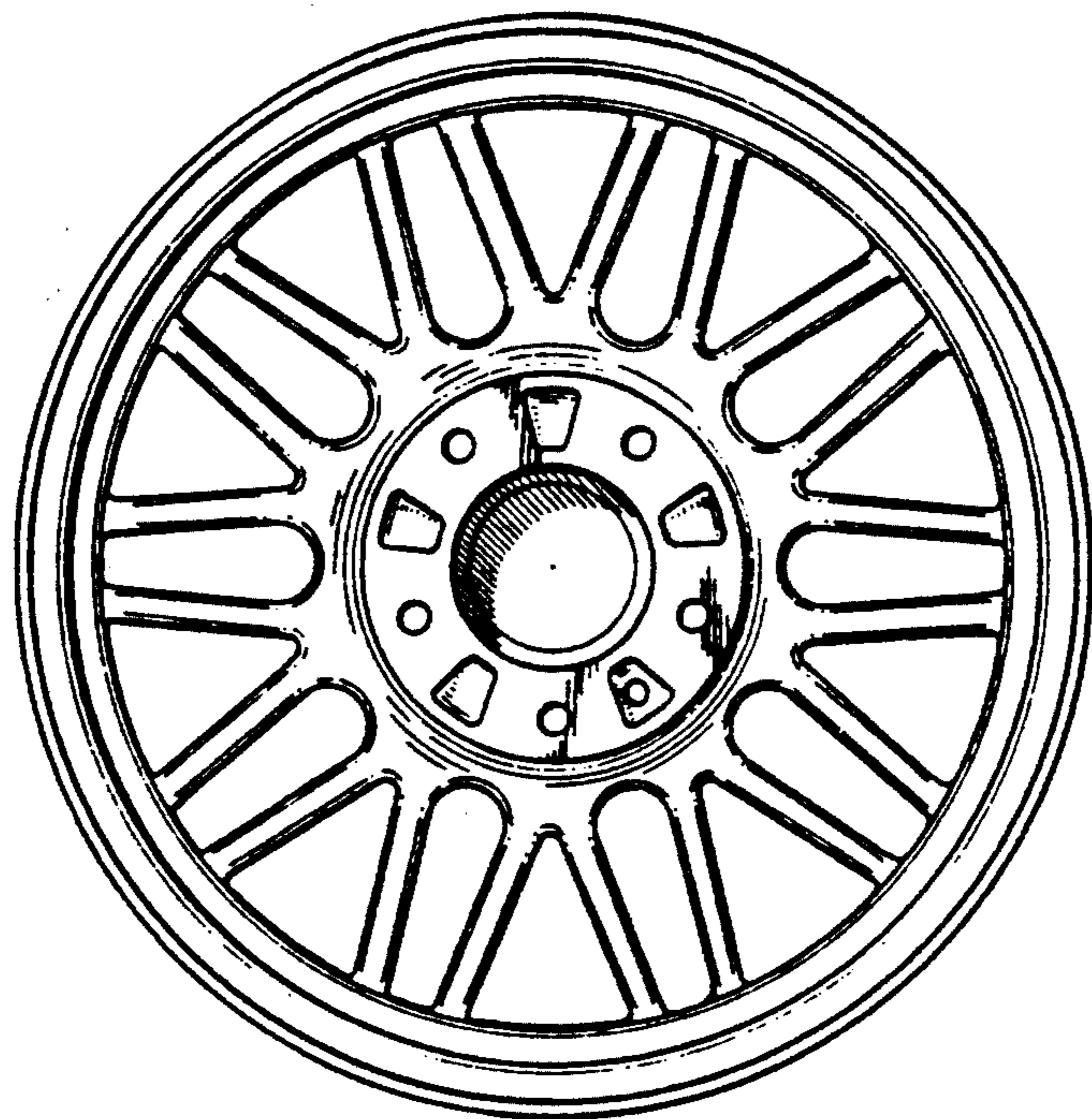


FIG. 3

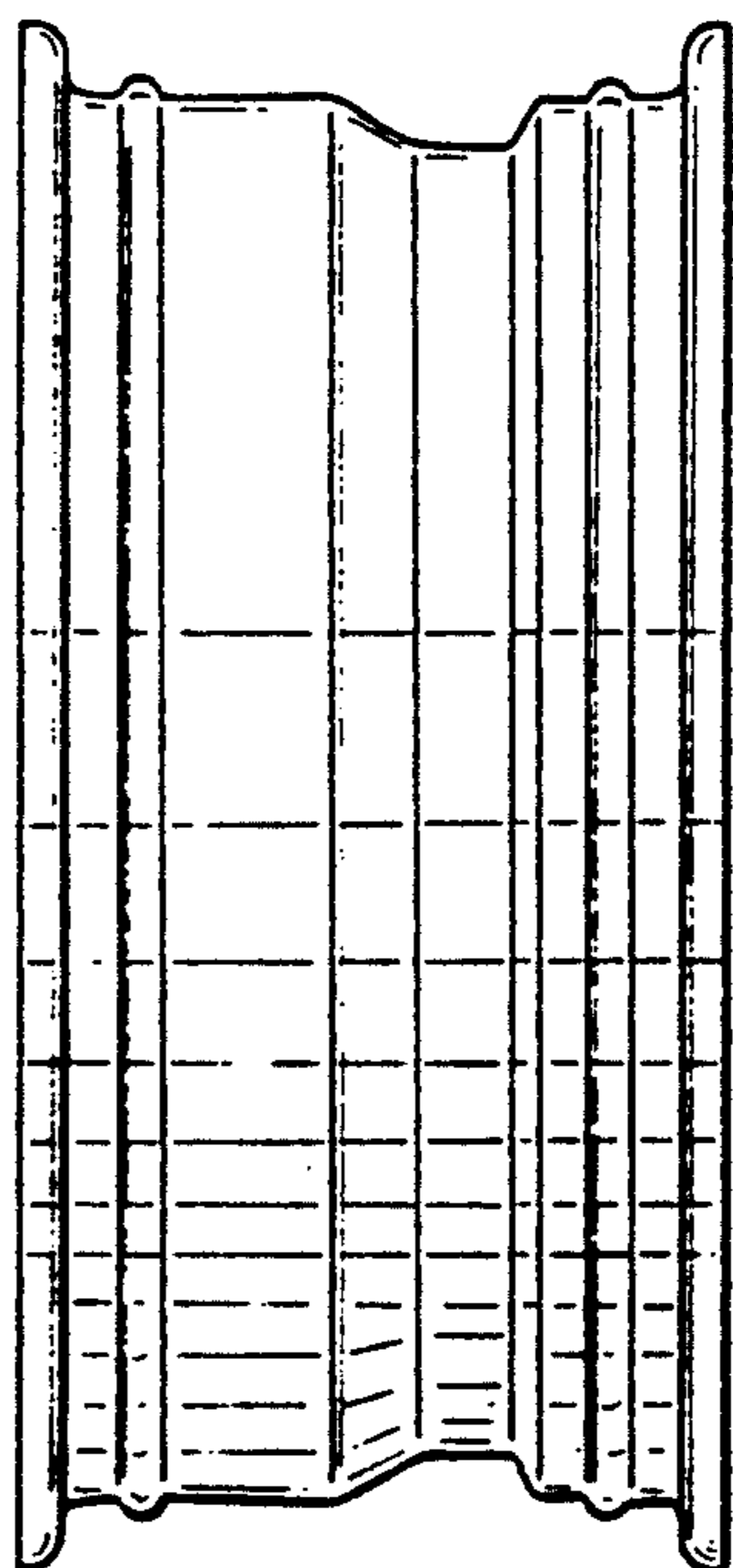


FIG. 4