



US00D348238S

**United States Patent** [19]  
**Ebbott**

[11] **Patent Number: Des. 348,238**

[45] **Date of Patent: \*\* Jun. 28, 1994**

[54] **TIRE TREAD**

[75] **Inventor: Deborah L. Ebbott, Cuyahoga Falls, Ohio**

[73] **Assignee: The Goodyear Tire & Rubber Company, Akron, Ohio**

[\*] **Notice:** The portion of the term of this patent subsequent to Dec. 4, 2004 has been disclaimed.

[\*\*] **Term: 14 Years**

[21] **Appl. No.: 932,044**

[22] **Filed: Aug. 20, 1992**

[52] **U.S. Cl. .... D12/141**

[58] **Field of Search ..... 152/209 R, 209 D; D12/141-143**

[56] **References Cited**

**U.S. PATENT DOCUMENTS**

D. 241,242 8/1976 Candiliotis ..... D12/142

D. 260,250 8/1981 Petitalot ..... D12/143  
D. 265,184 6/1982 Hammond ..... D12/143  
D. 277,174 1/1985 Casimiro et al. .... D12/142  
D. 286,033 10/1986 Motomura et al. .... D12/142  
D. 312,601 12/1990 Adam et al. .... D12/143

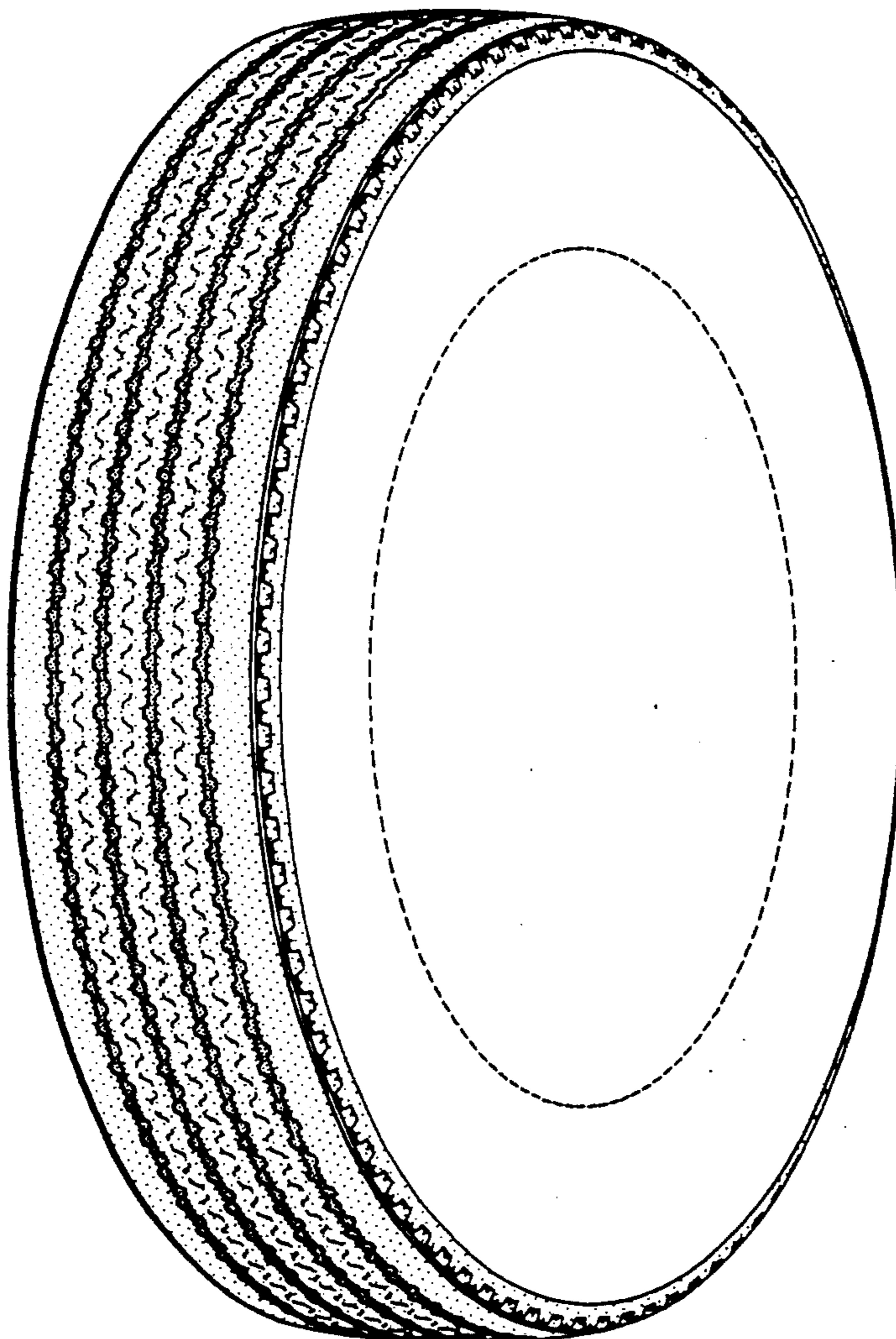
*Primary Examiner*—James M. Gandy  
*Attorney, Agent, or Firm*—T. P. Lewandowski

[57] **CLAIM**

The ornamental design for a tire tread, as shown and described.

**DESCRIPTION**

FIG. 1 is a perspective view of a tire tread showing my new design, it being understood that the pattern is repeated throughout the circumference thereof; FIG. 2 is a front elevational view thereof; FIG. 3 is a side elevational view thereof; and, FIG. 4 is an enlarged fragmentary front view thereof. The broken line showing of the tire sidewall in FIGS. 1, 2 and 3 of the drawing is for illustrative purposes only and forms no part of the claimed design.



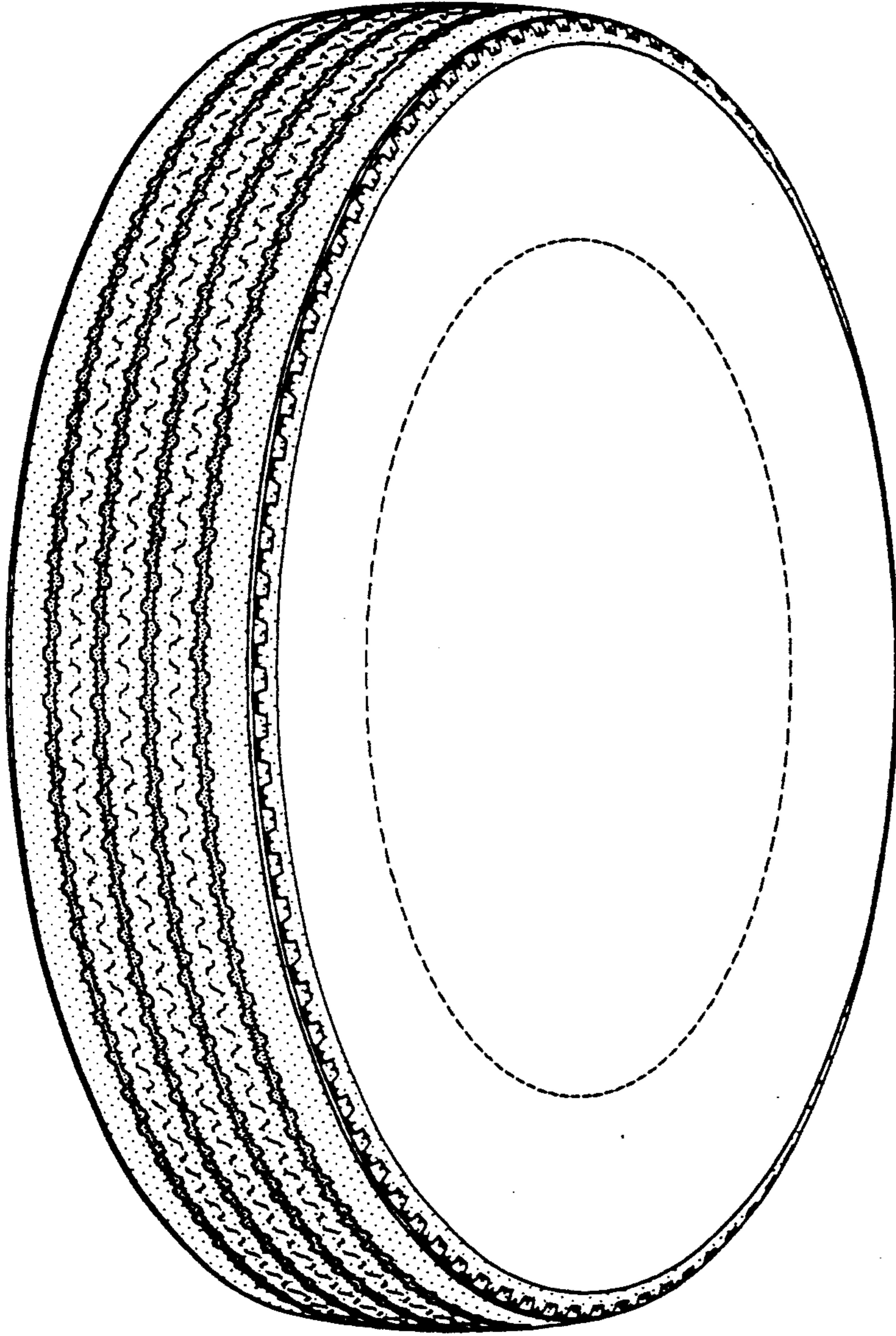


FIG-1

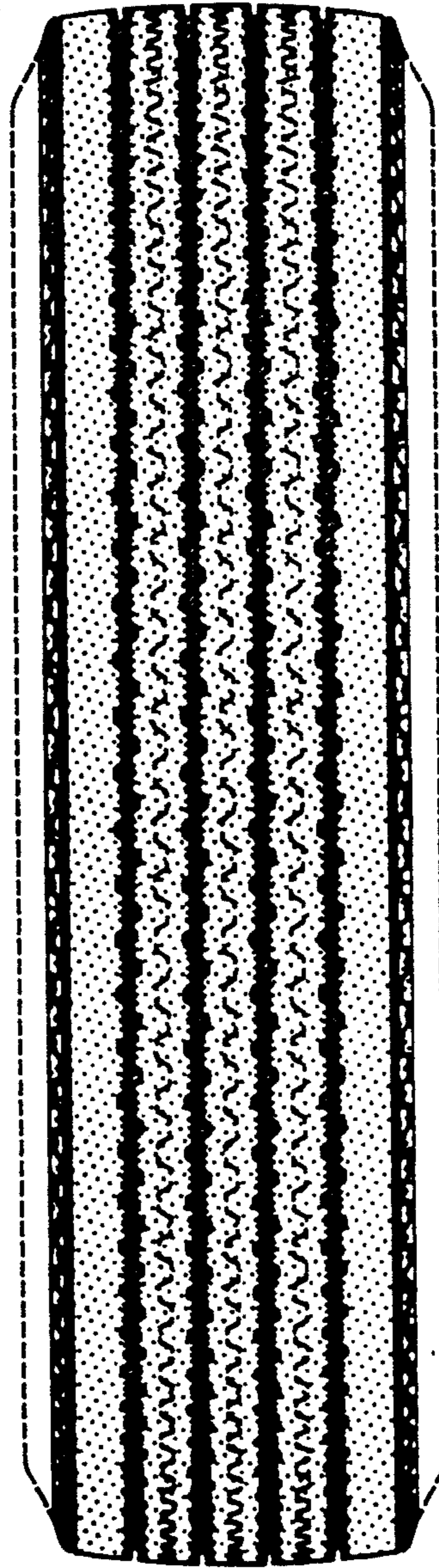


FIG-2

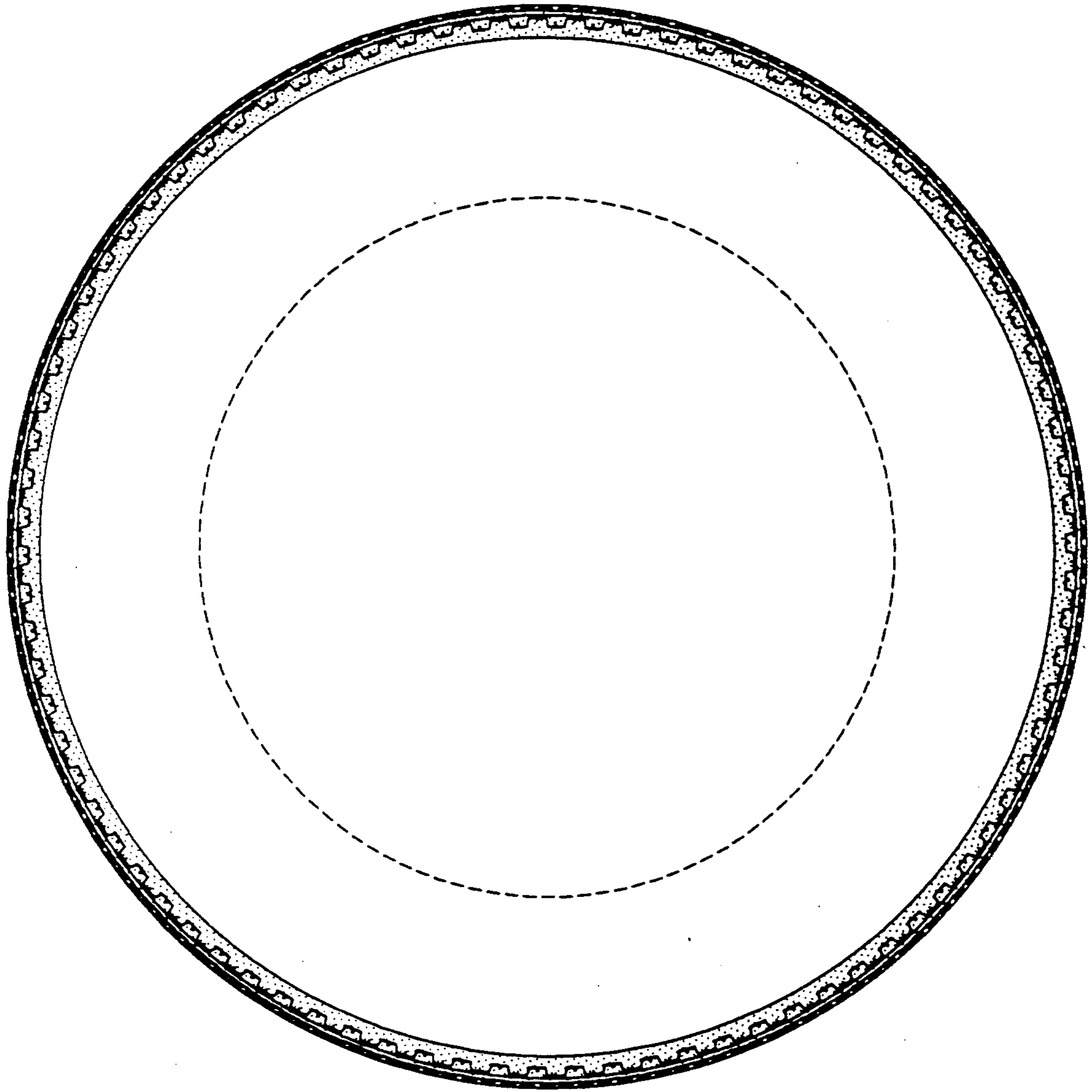


FIG-3

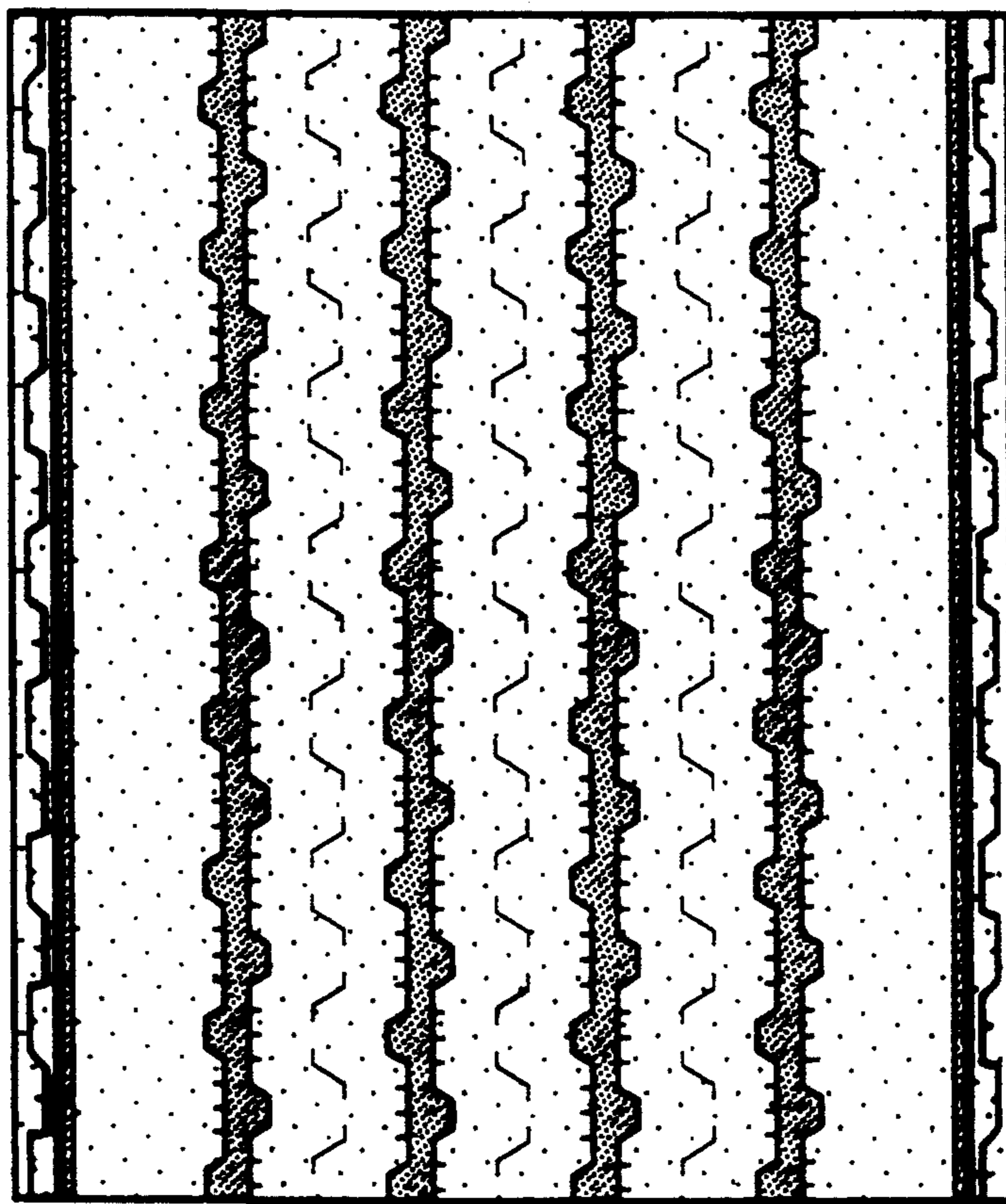


FIG-4