



US00D348237S

United States Patent [19]

[11] Patent Number: **Des. 348,237**

Strodtman

[45] Date of Patent: **** Jun. 28, 1994**

[54] **GOLF CART**

[76] Inventor: **Gary W. Strodtman**, 23226 State Hwy., Paynesville, Minn. 56362

[**] Term: **14 Years**

[21] Appl. No.: **5,147**

[22] Filed: **Feb. 24, 1993**

[52] U.S. Cl. **D12/16; D12/101**

[58] Field of Search **280/DIG. 5; 296/186; D12/16, 101**

D. 271,008 10/1983 Saporito D12/16
D. 300,416 3/1989 Britten D12/101
D. 320,580 10/1991 Kerr D12/16
D. 326,831 6/1992 Lanius et al. D12/16

Primary Examiner—Wallace R. Burke
Assistant Examiner—M. Brown
Attorney, Agent, or Firm—Patterson & Keough

[57] CLAIM

The ornamental design for a golf cart, as shown.

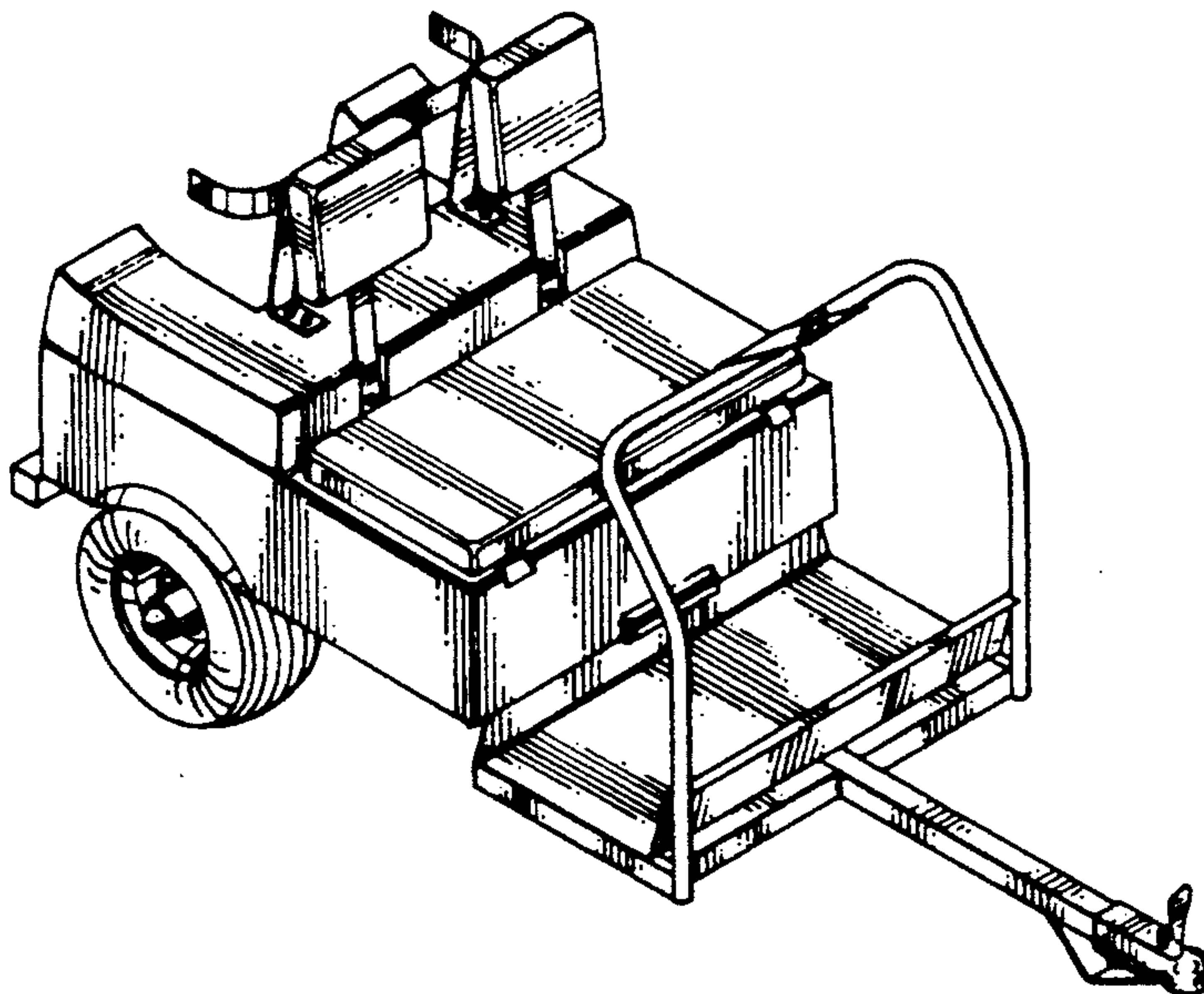
DESCRIPTION

FIG. 1 is a perspective view of the golf cart;
FIG. 2 is a side elevational view of the golf cart;
FIG. 3 is a front elevational view of the golf cart;
FIG. 4 is a rear elevational view of the golf cart;
FIG. 5 is a top plan view of the golf cart; and,
FIG. 6 is a bottom plan view of the golf cart.

[56] References Cited

U.S. PATENT DOCUMENTS

D. 229,985 1/1974 Trevers D12/101
D. 255,558 6/1980 Ekuan D12/16



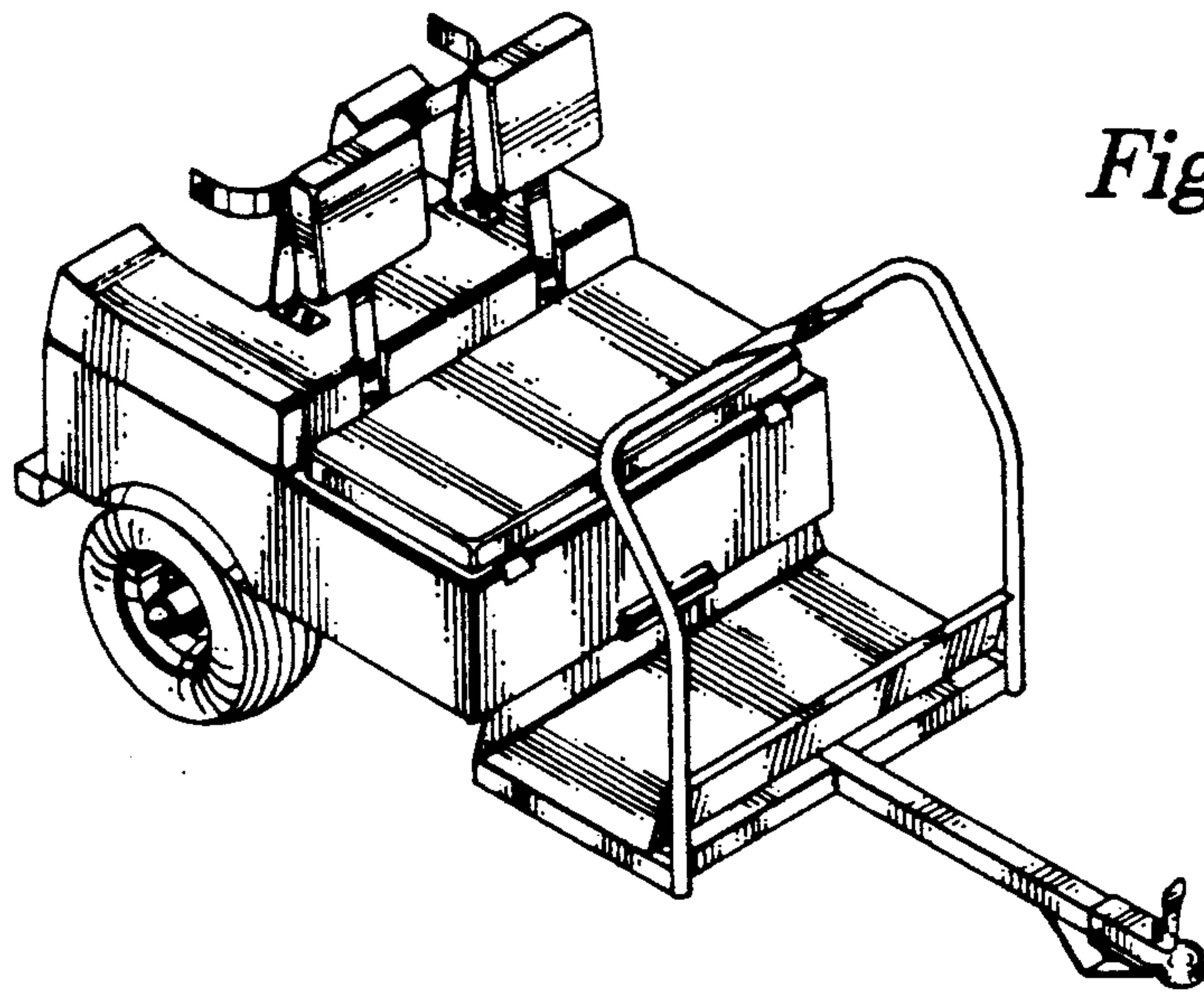


Fig.1

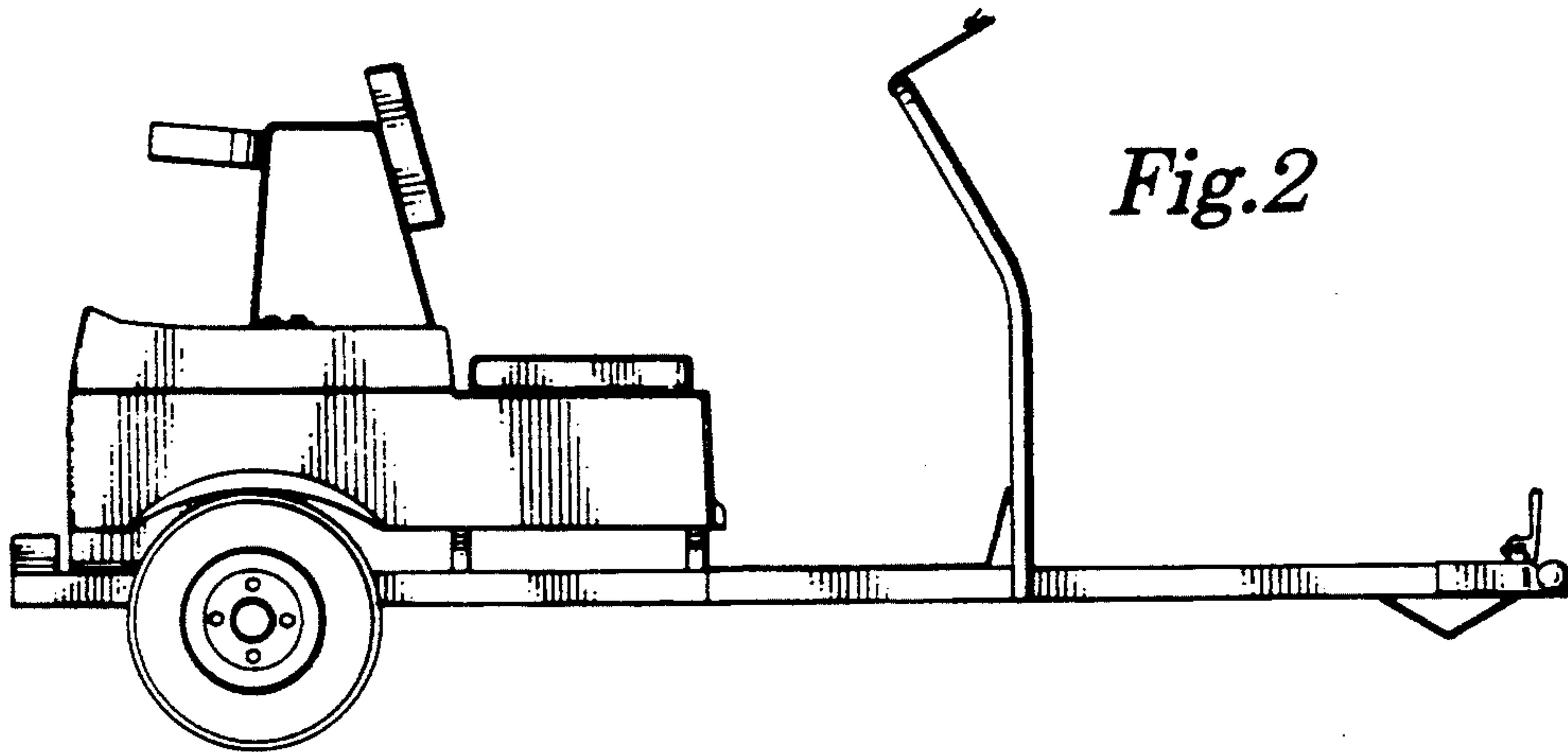


Fig.2

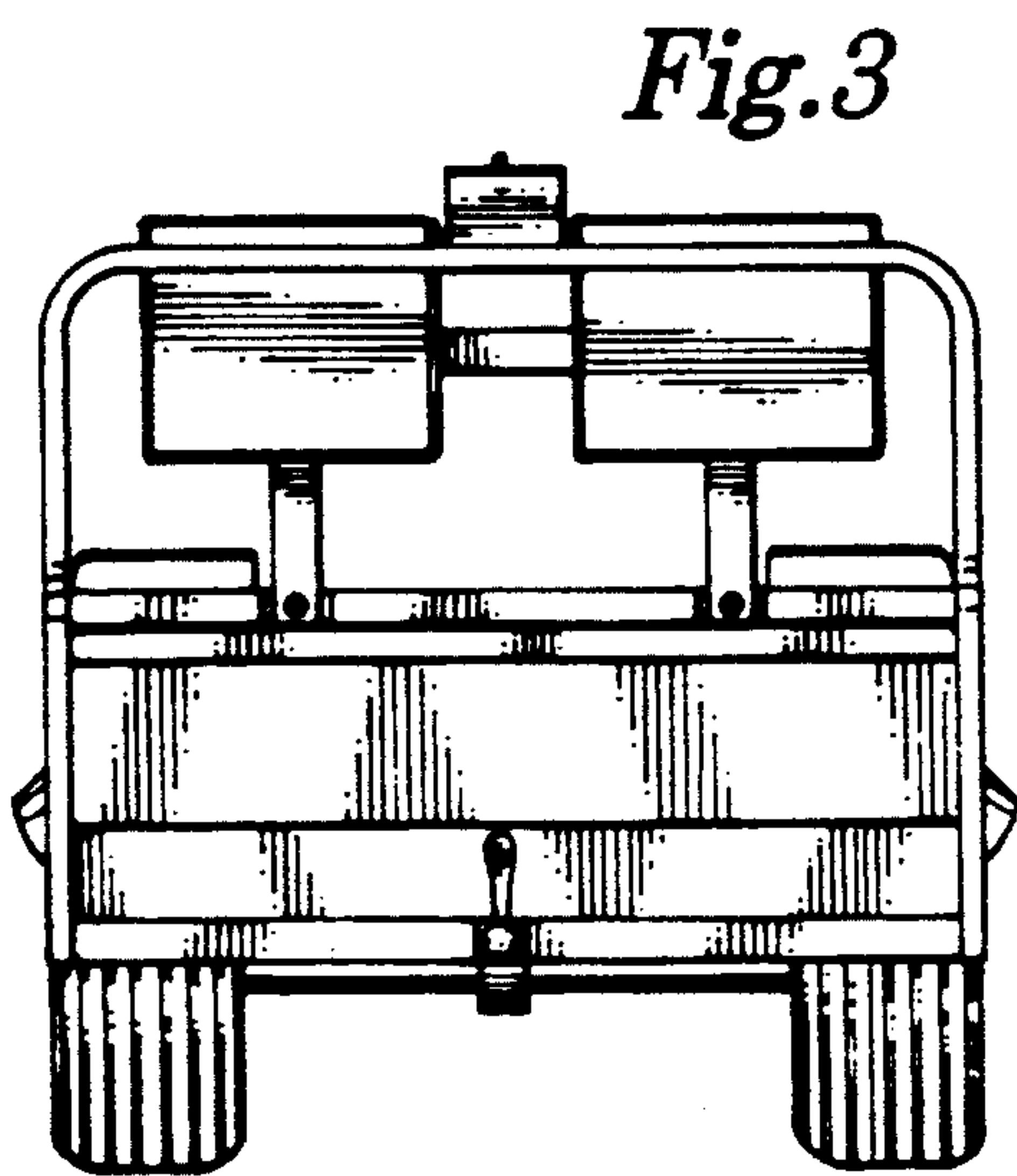


Fig.3

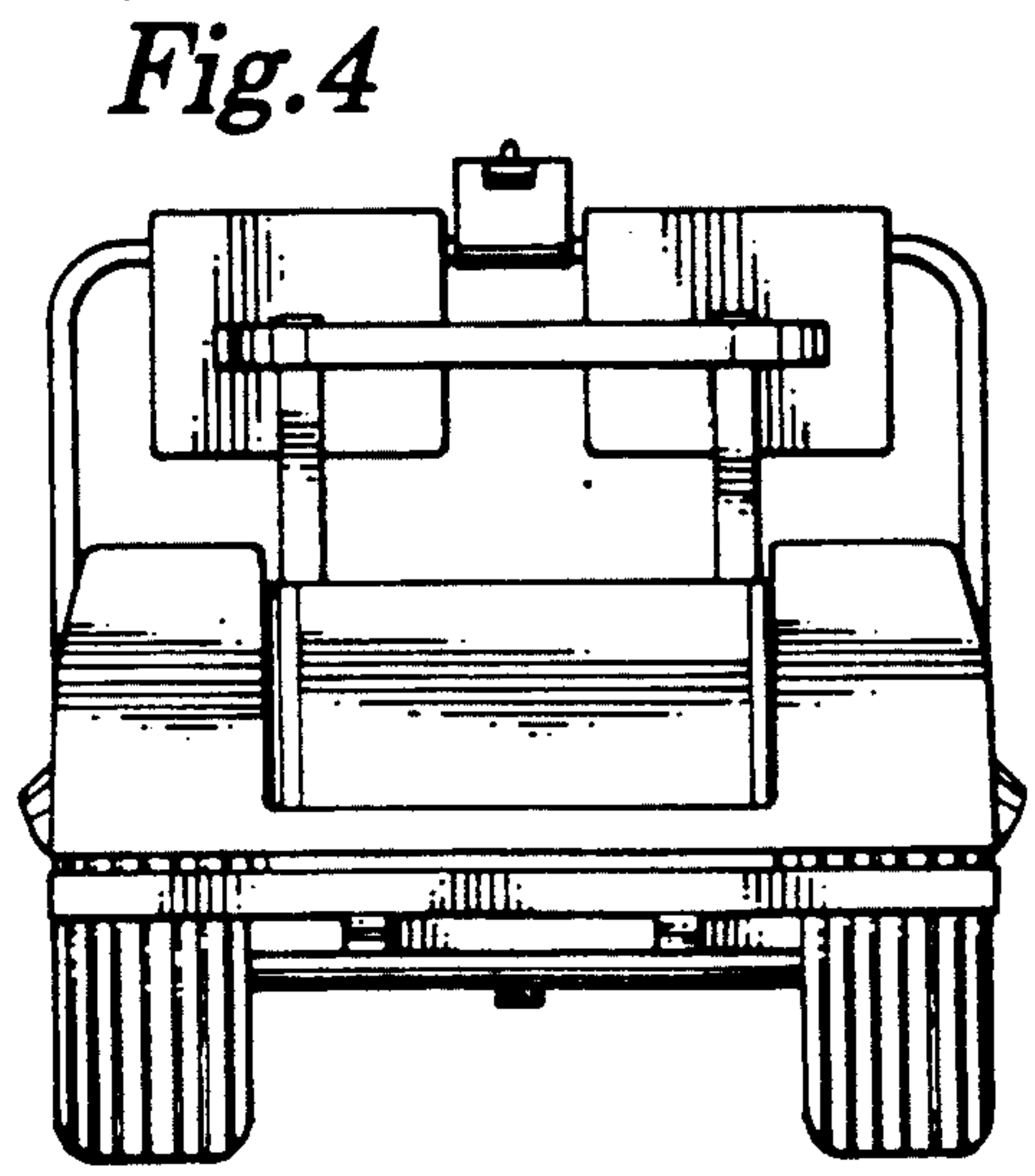


Fig.4

Fig.5

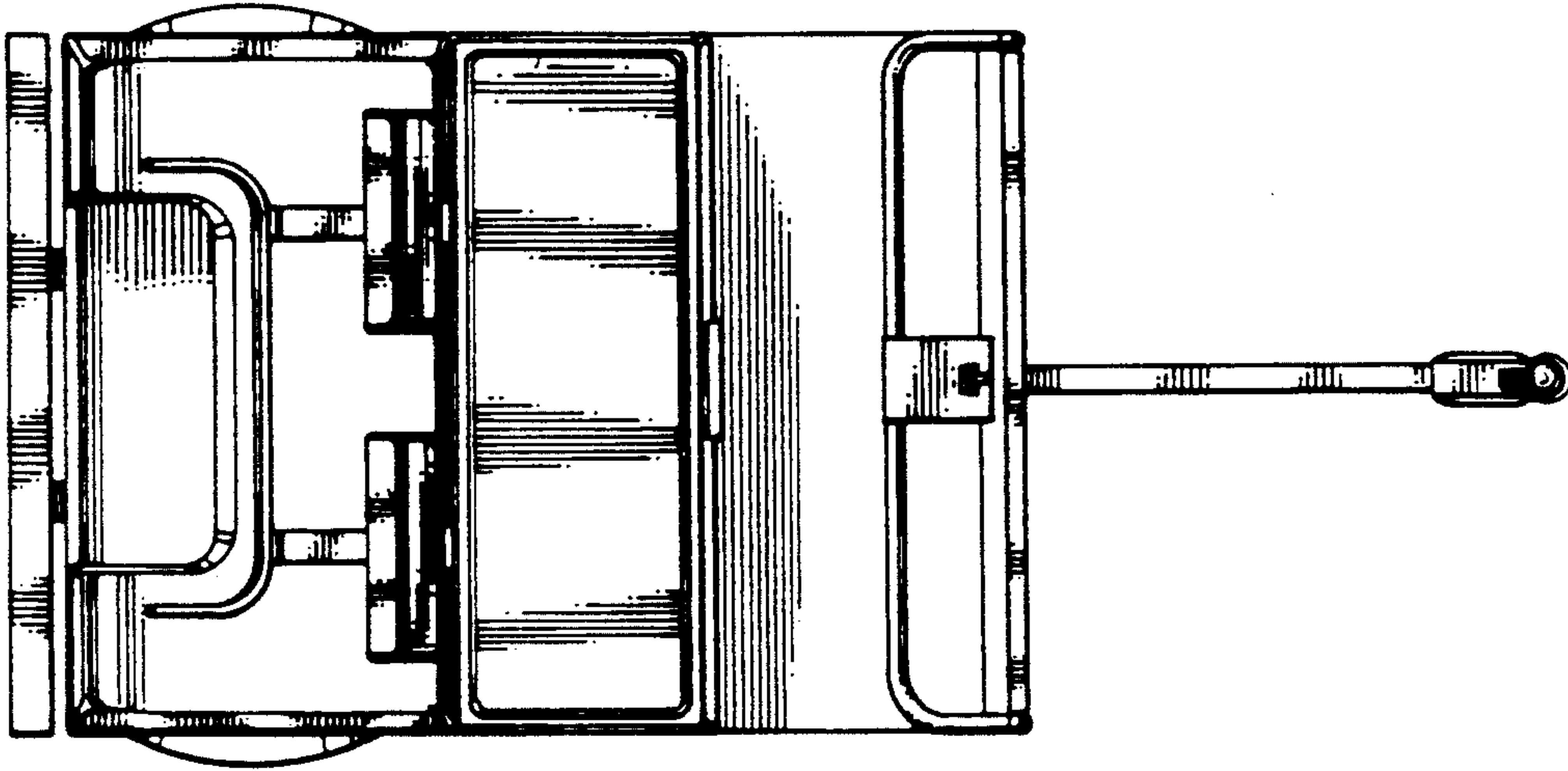


Fig.6

