



US00D348236S

United States Patent [19]

[11] Patent Number: **Des. 348,236**

James

[45] Date of Patent: **** Jun. 28, 1994**

[54] **SPRING LOADED LOCKING BUCKLE**

[75] Inventor: **Brent R. James, Manhattan Beach, Calif.**

[73] Assignee: **South Cone, Inc., National City, Calif.**

[**] Term: **14 Years**

[21] Appl. No.: **15,691**

[22] Filed: **Nov. 23, 1993**

[52] U.S. Cl. **D11/216; D11/200**

[58] Field of Search **24/573, 574, 631, 633, 24/641, 616, 196, 197, 695, 625; D11/200, 215-218, 231, 87, 212, 232**

[56] **References Cited**

U.S. PATENT DOCUMENTS

D. 289,622	5/1987	Crowle et al.	D11/216
D. 296,310	6/1988	Crowle	D11/216
D. 329,210	8/1992	Cullmann	D11/216
D. 335,476	5/1993	Stathis	D11/200
D. 340,122	10/1993	Wakabayashi	D11/218
D. 343,144	1/1994	Matoba	D11/216
4,825,515	5/1989	Wolterstorff, Jr.	24/196
5,144,725	9/1992	Krauss	24/625

Primary Examiner—**Ralf T. Seifert**

Attorney, Agent, or Firm—**David N. Makous; John S. Christopher**

[57] **CLAIM**

The ornamental design for a spring loaded locking buckle, as shown and described.

DESCRIPTION

FIG. 1 is an exploded perspective view of a spring loaded locking buckle showing my new design;

FIG. 2 is a top plan view of a male portion thereof;

FIG. 3 is a front elevation of the male portion thereof;

FIG. 4 is a rear elevation of the male portion thereof;

FIG. 5 is a left side elevation of the male portion thereof;

the right side elevation of the male portion being a mirror image thereof;

FIG. 6 is a bottom plan view of the male portion thereof;

FIG. 7 is a top plan view of a female portion thereof;

FIG. 8 is a front elevation of the female portion thereof;

FIG. 9 is a rear elevation of the female portion thereof;

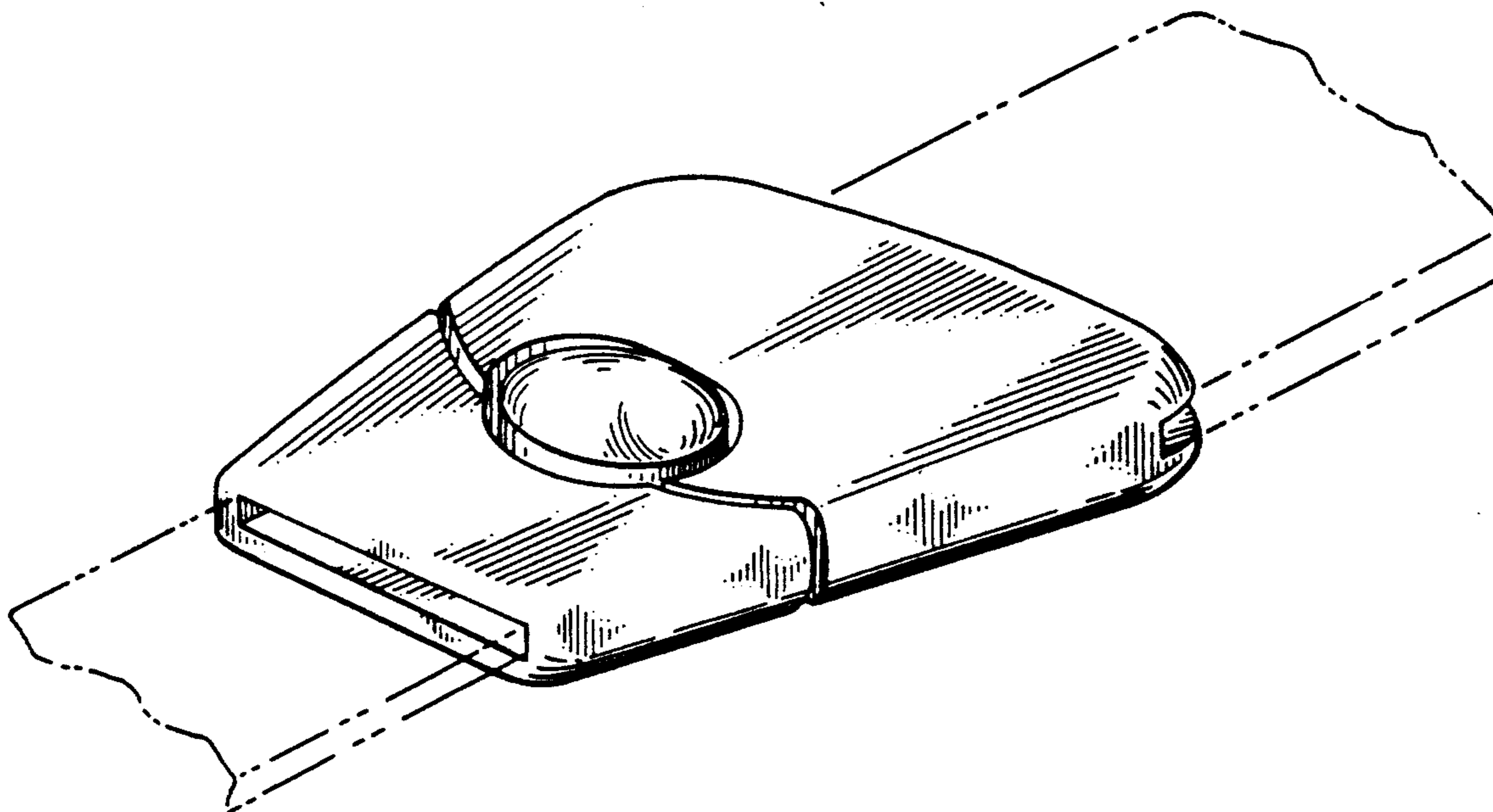
FIG. 10 is a left side elevation of the female portion thereof;

the right side elevation of the female portion being a mirror image thereof;

FIG. 11 is a bottom plan view of the female portion thereof; and,

FIG. 12 is an assembled perspective view of the spring loaded locking buckle.

The broken line showing of partial straps in FIGS. 1 and 12 is for illustrative purposes only and forms no part of the claimed design.



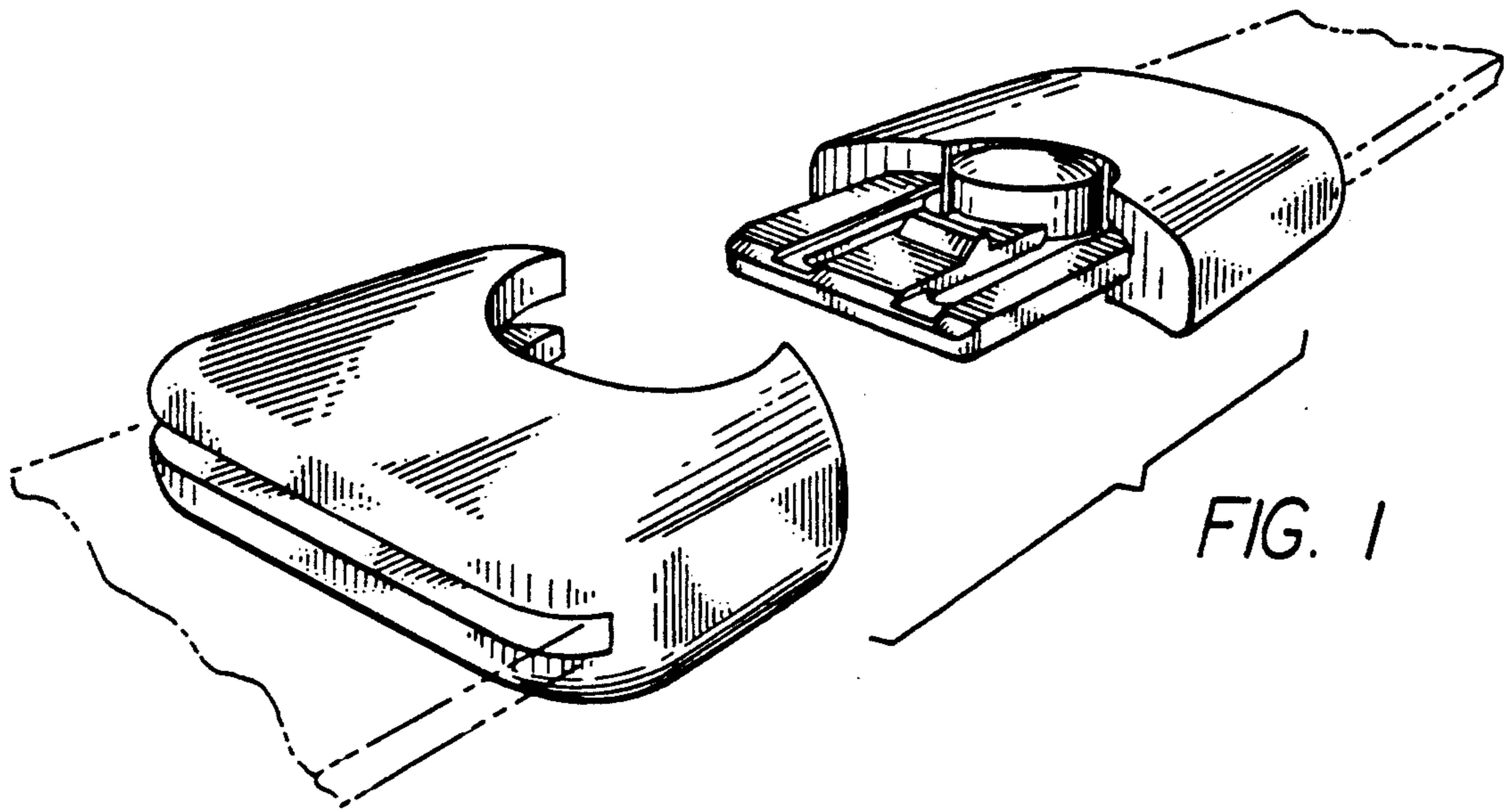


FIG. 1

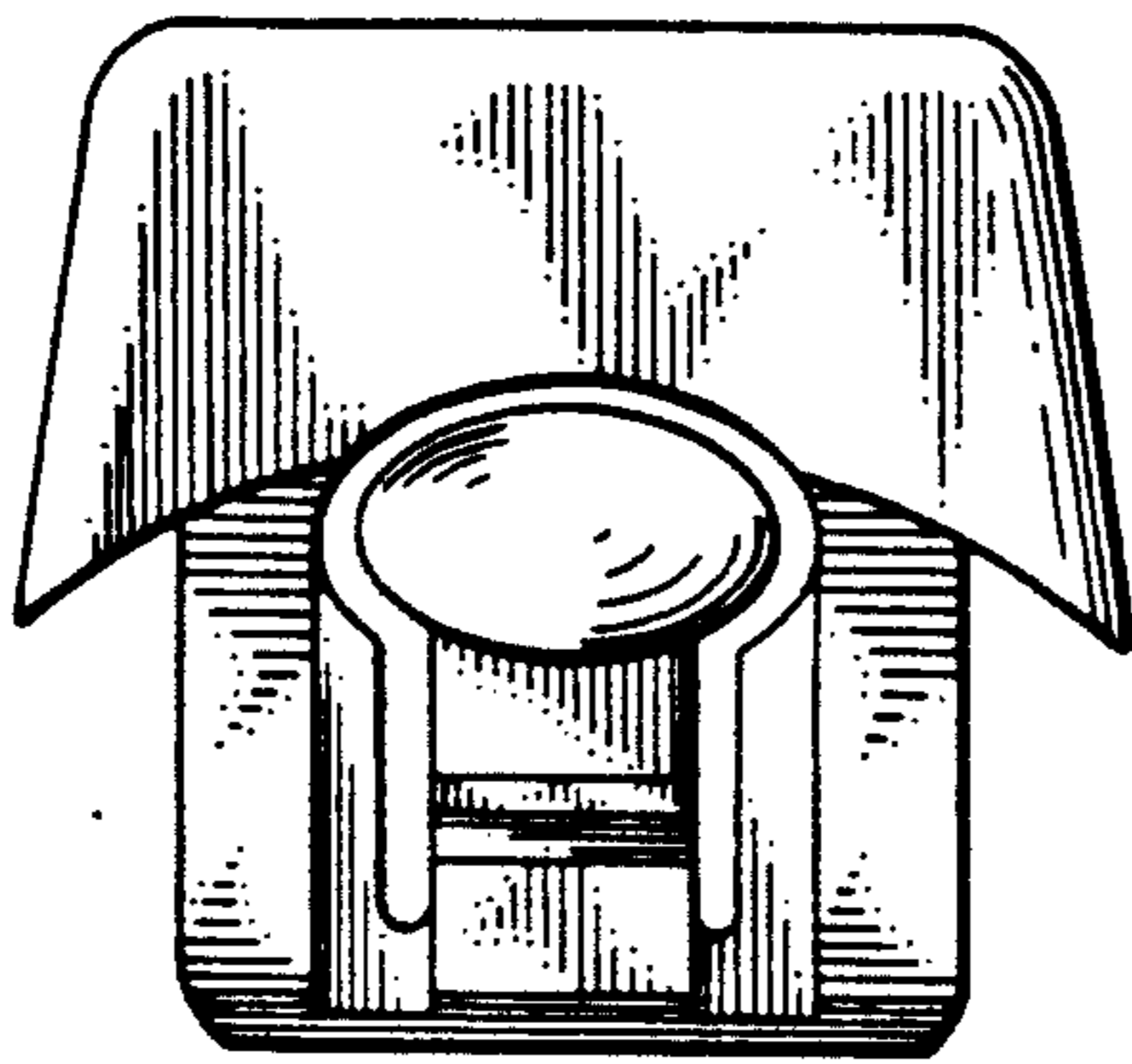


FIG. 2



FIG. 5

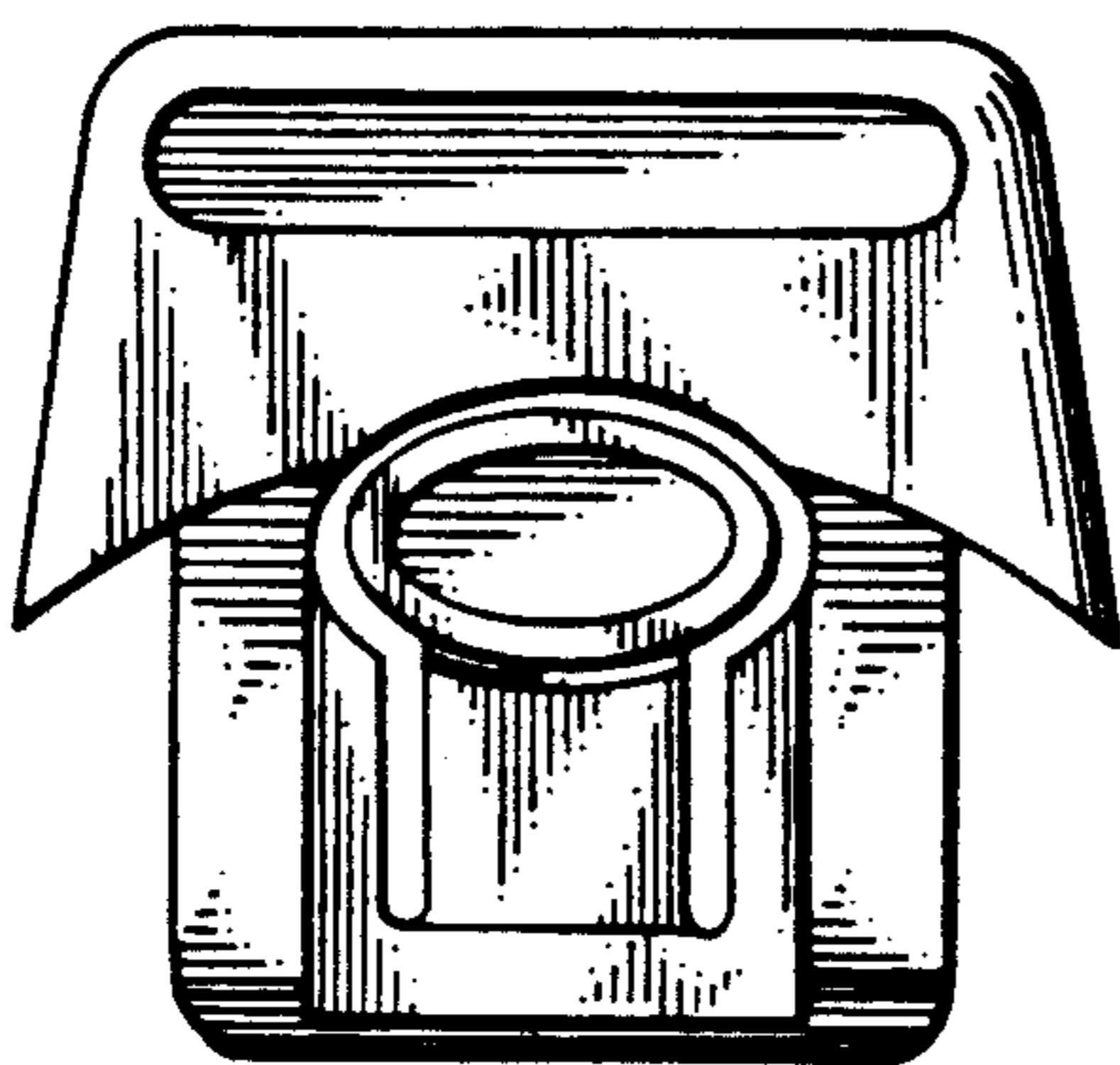


FIG. 6

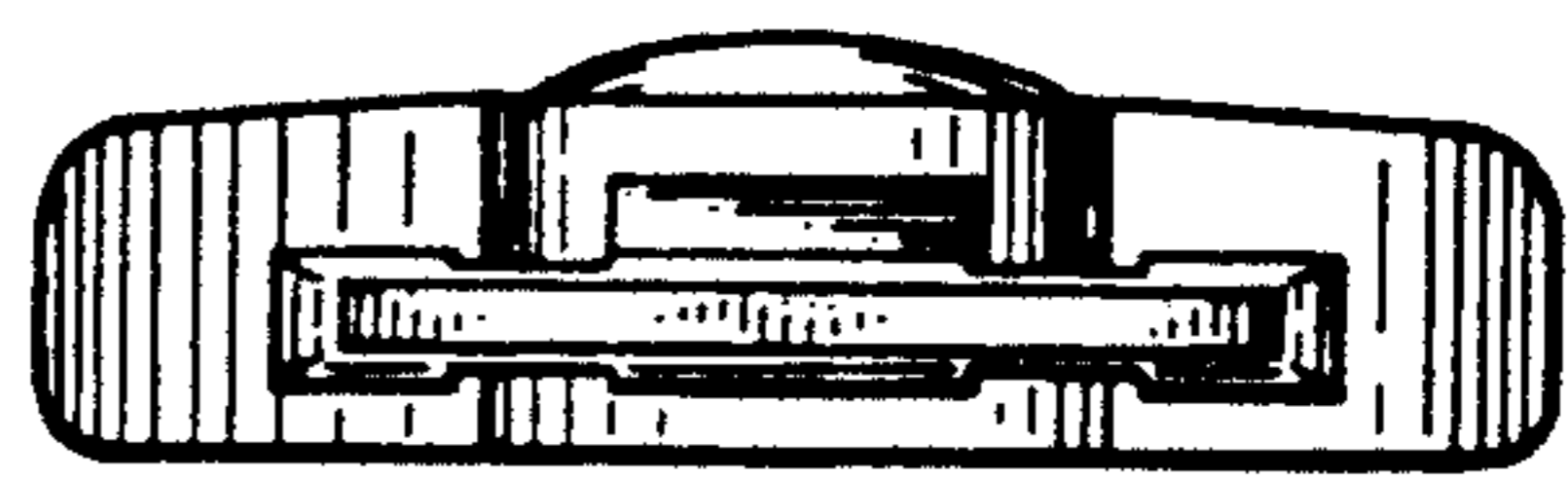


FIG. 3



FIG. 4

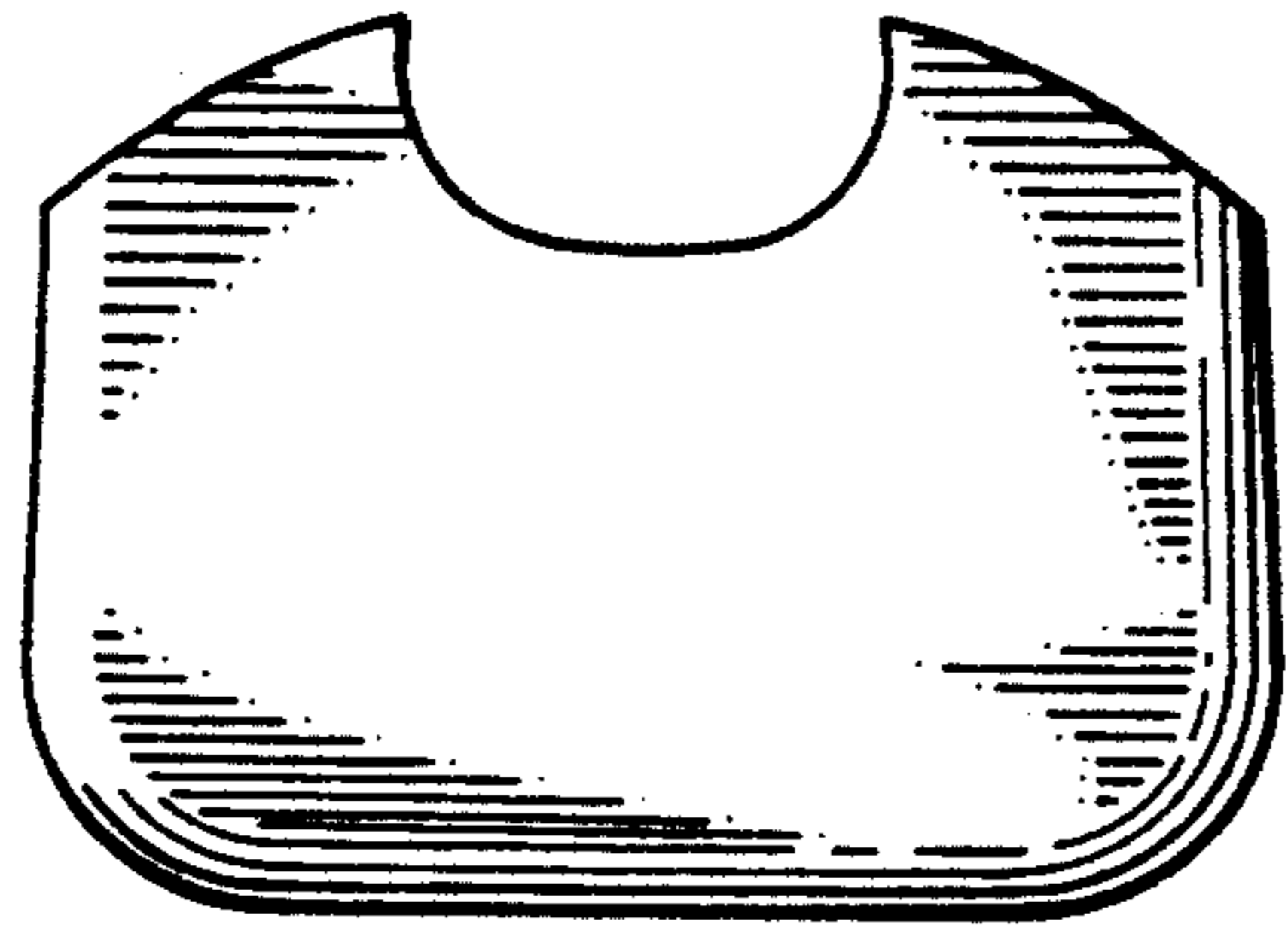


FIG. 7



FIG. 10

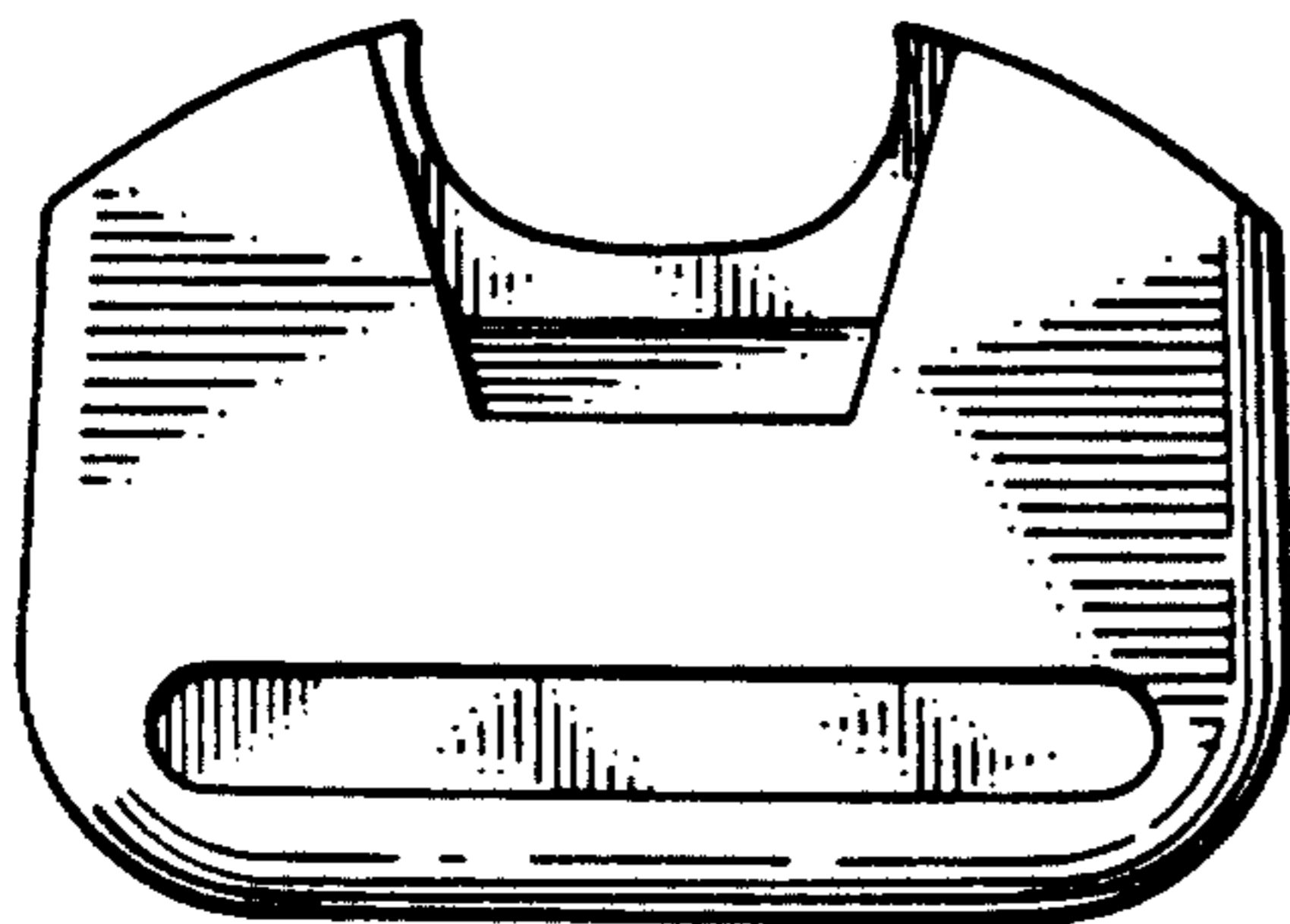


FIG. 11

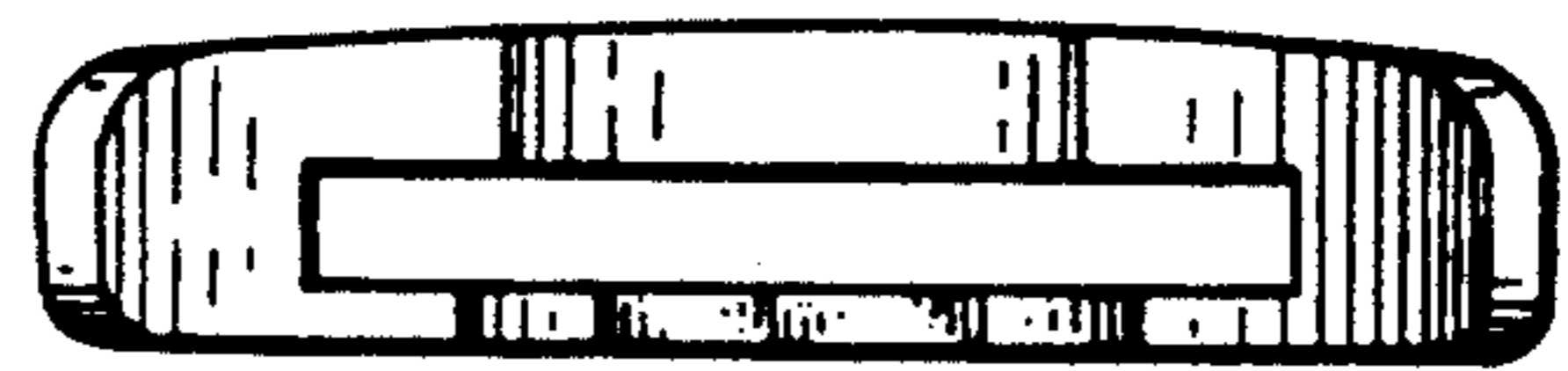


FIG. 8

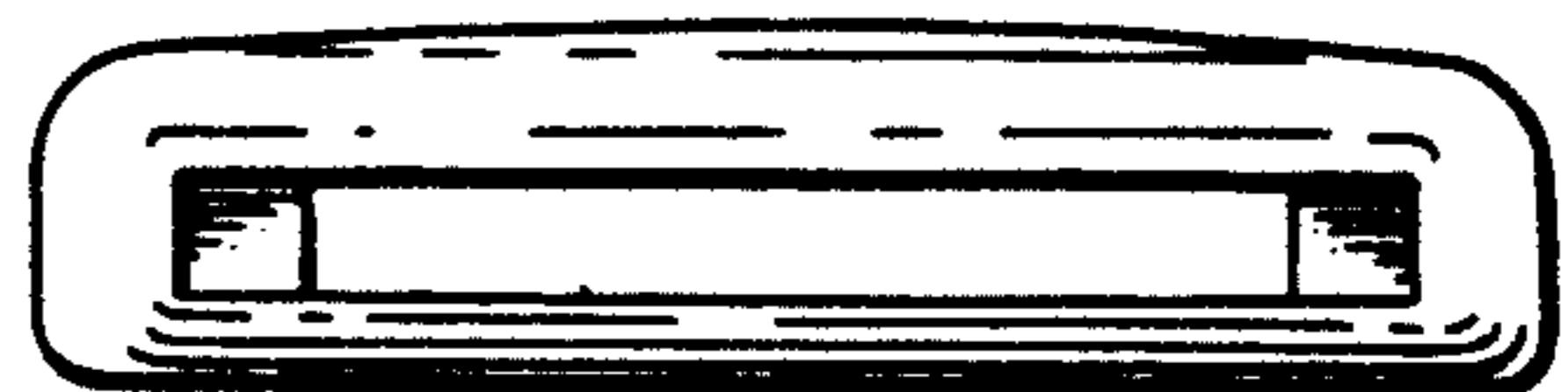


FIG. 9

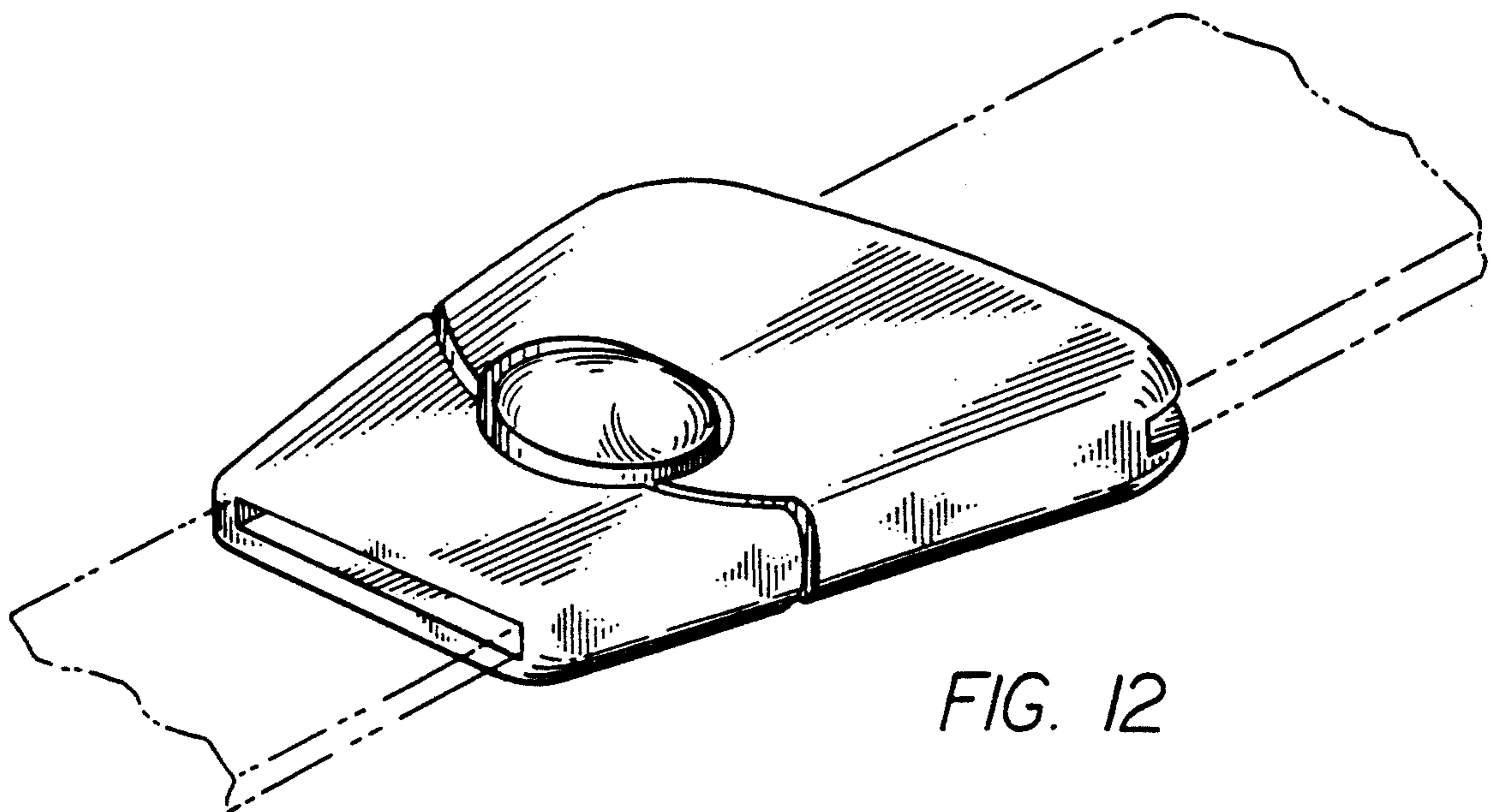


FIG. 12