



US00D348219S

# United States Patent [19] Goldberg

[11] Patent Number: **Des. 348,219**

[45] Date of Patent: **\*\* Jun. 28, 1994**

[54] DECORATIVE MEDICATION CONTAINER

4,203,518 5/1980 Current ..... 206/533 X

[76] Inventor: **Esther A. Goldberg**, 1068 Lotus Pkwy., Unit #822, Altamonte Springs, Fla. 32714

[\*\*] Term: **14 Years**

[21] Appl. No.: **996**

[22] Filed: **Nov. 2, 1992**

[52] U.S. Cl. .... **D9/341; D7/629; D9/429**

[58] Field of Search ..... **D9/341, 346, 347, 424, D9/425, 428, 429; D7/541, 542, 539, 608, 629; 206/538, 539, 533, 534, 561, 563; 220/574, 507, 521, 522, 528, 376, 675, 912**

[56] **References Cited**

### U.S. PATENT DOCUMENTS

D. 215,766	10/1969	Dussek	.....	D9/341 X
D. 258,631	3/1981	Lax	.....	D7/542
D. 266,299	9/1982	Taylor	.....	D7/542 X
D. 337,696	7/1993	Sun	.....	D7/538 X
3,537,422	11/1970	Moe	.	
3,598,105	8/1971	Cristaldi	.....	220/377 X
3,618,559	11/1971	Moe	.	
3,743,085	7/1973	Richert	.....	206/533
4,083,452	4/1978	Rossmo	.....	206/533

### OTHER PUBLICATIONS

Transparent Plastic Containers, 1948, Cat #4748 p. 15 as shown.

Williams Sonoma, Fall Cat 1989, p. 19 Item #D.

Lillian Vernon Cat 1989, p. 43, Item #K.

*Primary Examiner*—Prabhakar G. Deshmukh

*Attorney, Agent, or Firm*—Julian C. Renfro

### [57] CLAIM

The ornamental design for decorative medication container, as shown and described.

### DESCRIPTION

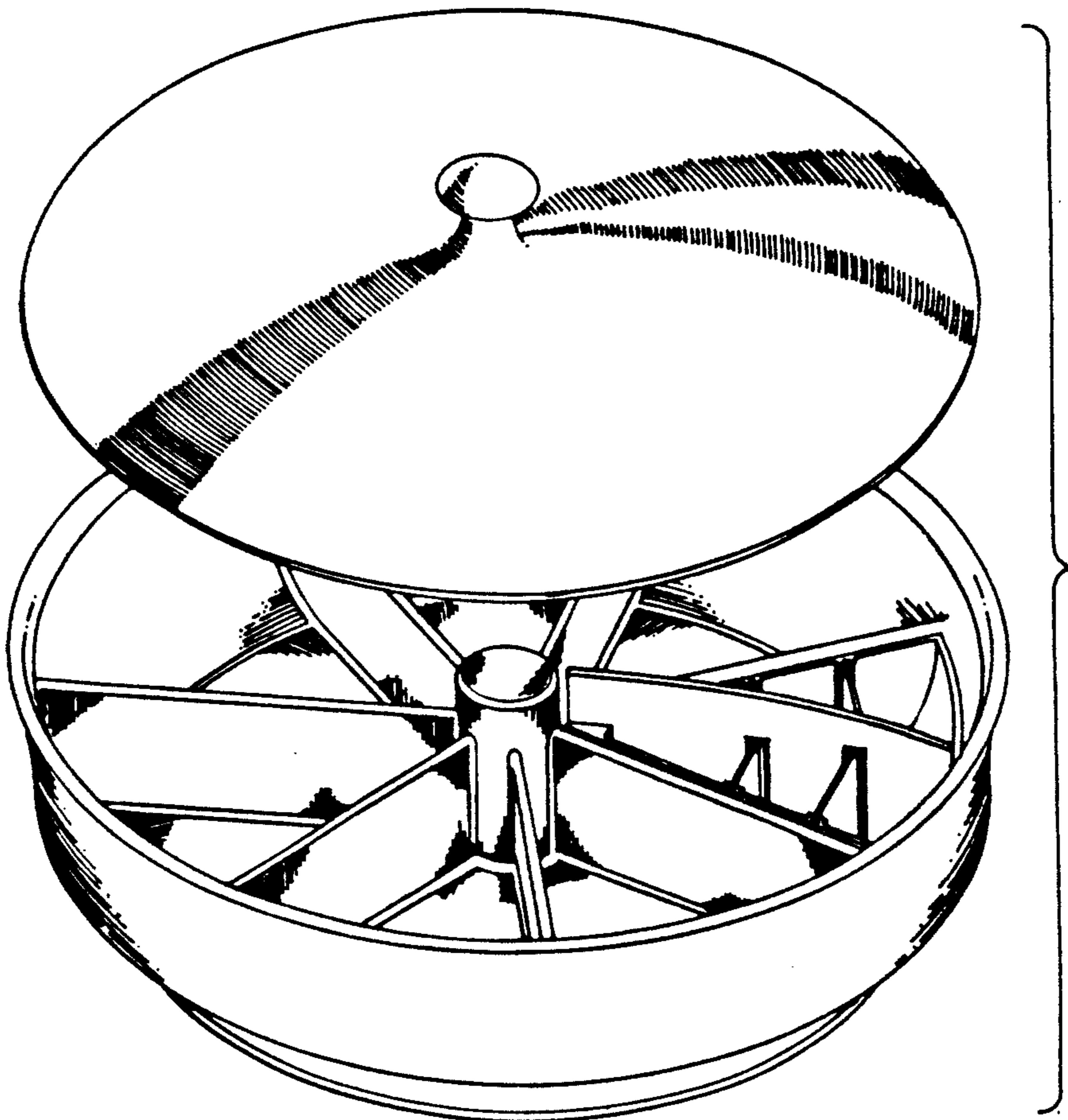
FIG. 1 is a perspective view of a decorative medication container showing my new design;

FIG. 2 is an exploded perspective view thereof, showing the inside divisional compartments with inserts;

FIG. 3 is a side elevational view with a fragmentary sectional view taken along line 3—3 of FIG. 4; and,

FIG. 4 is an exploded perspective view thereof, with one of the inserts lifted away for clarity of illustration.

The bottom is plain and unornamented. It is understood that the pattern of inserts shown in fragmentary is repeated throughout the circumferential divisional compartments of the container.



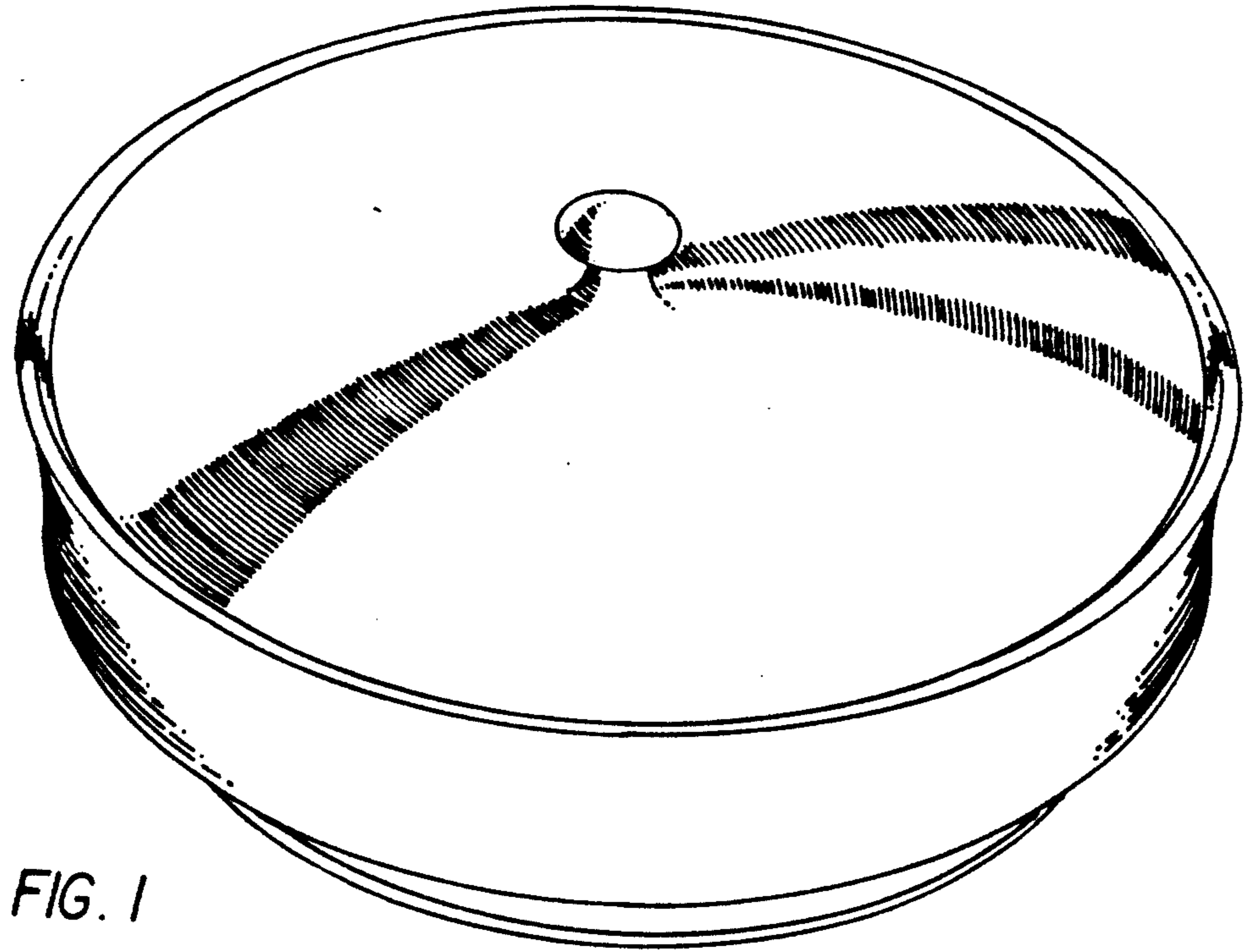


FIG. 1

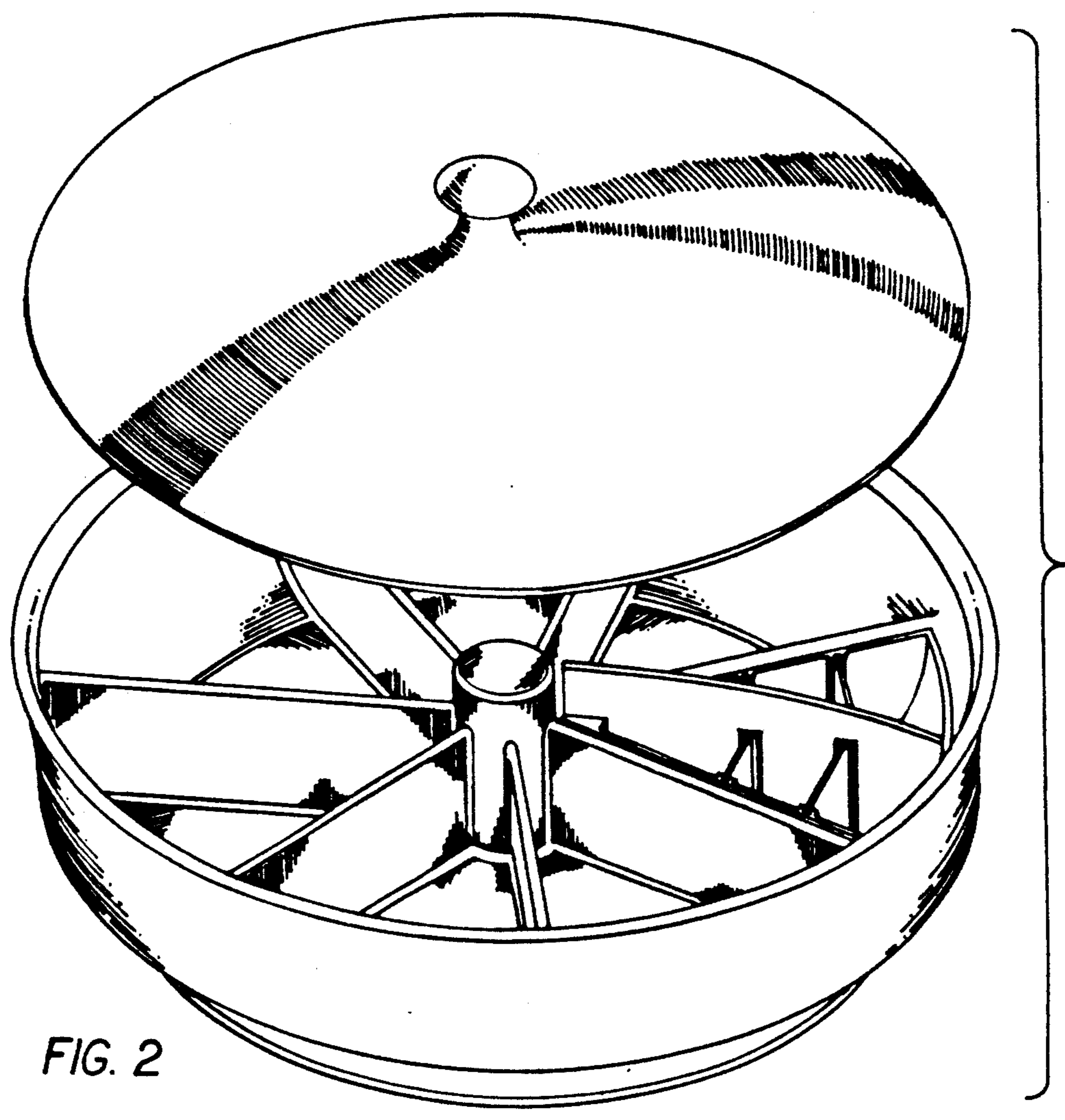


FIG. 2

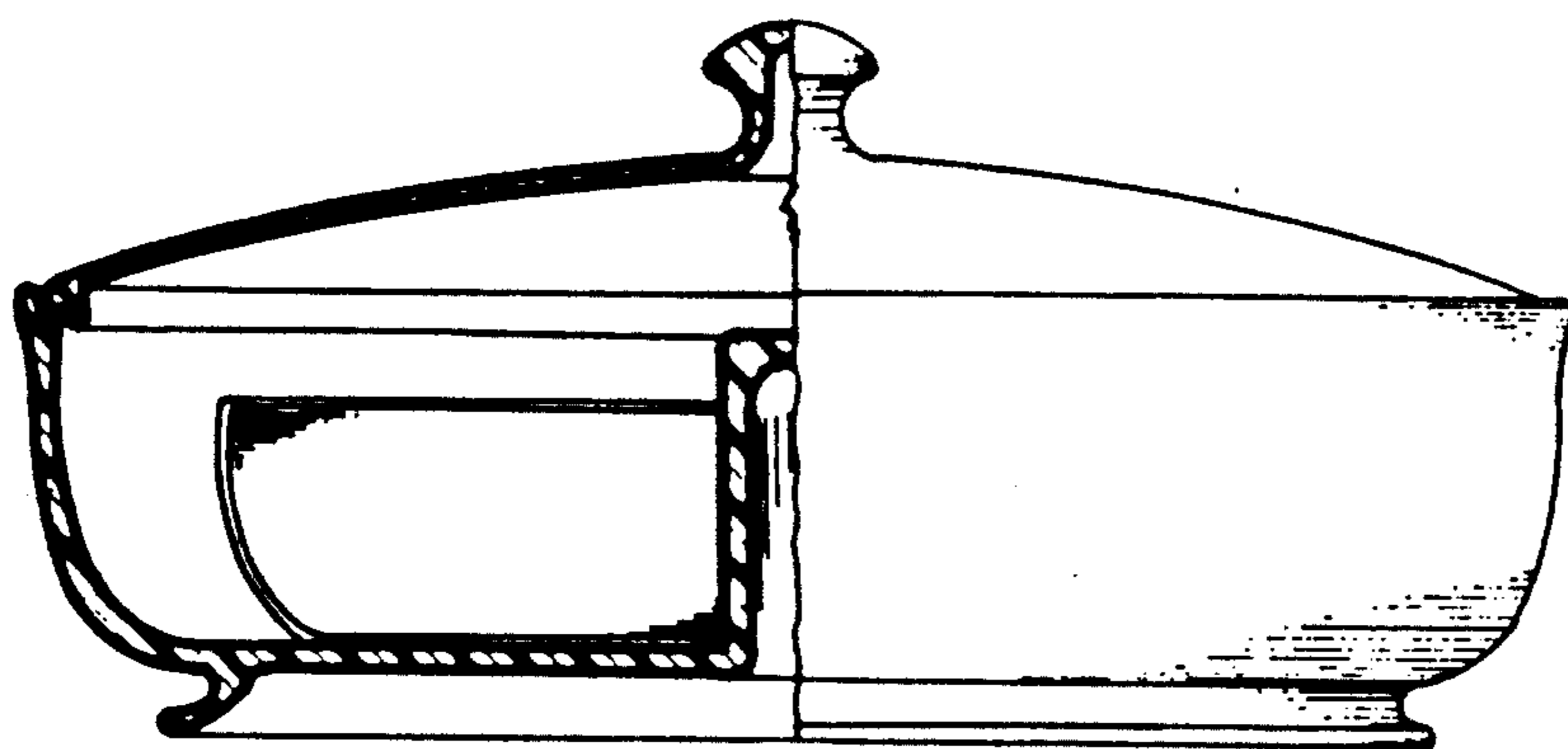


FIG. 3

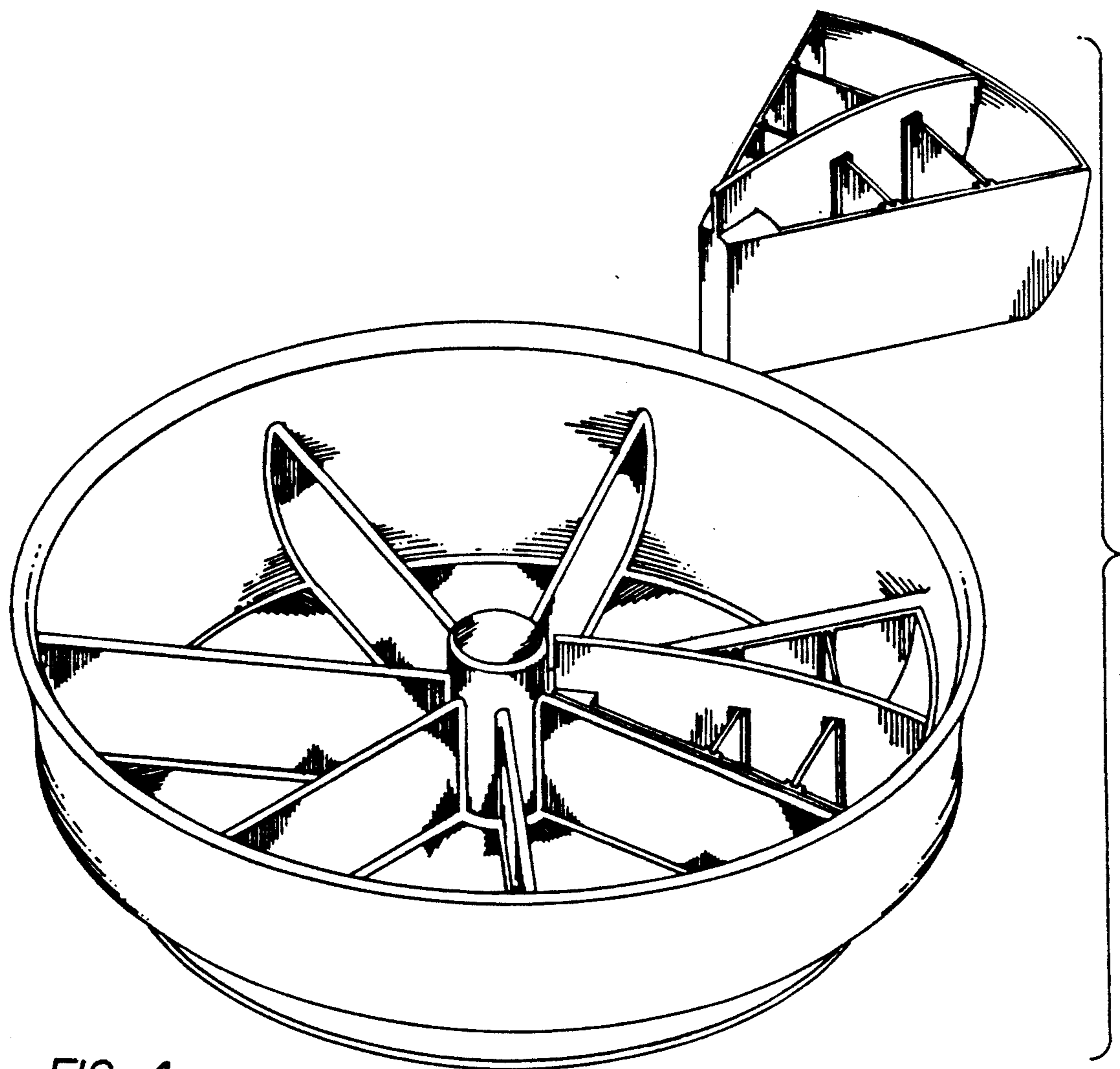


FIG. 4