



US00D348216S

# United States Patent [19]

[11] Patent Number: **Des. 348,216**

**Smith**

[45] Date of Patent: **\*\* Jun. 28, 1994**

[54] **BENCH SUPPORT BRACKET**

1,599,653 9/1926 Cranston ..... 248/235 X  
4,285,542 8/1981 Boisvert ..... 297/217

[75] Inventor: **Edward E. Smith, Cobourg, Canada**

[73] Assignee: **Dek-Block Ontario Ltd., Cobourg, Canada**

[\*\*] Term: **14 Years**

[21] Appl. No.: **6,556**

[22] Filed: **Mar. 31, 1993**

[30] **Foreign Application Priority Data**

Oct. 20, 1992 [CA] Canada ..... 20-10-92-4

[52] U.S. Cl. .... **D8/381; D8/380**

[58] Field of Search ..... **D8/380, 381; 248/235, 248/247, 251**

[56] **References Cited**

### U.S. PATENT DOCUMENTS

- D. 23,223 4/1894 Randall ..... D8/381
- D. 39,572 9/1908 Kaiser ..... D8/381
- D. 340,405 10/1993 Anderson ..... D8/380 X

### OTHER PUBLICATIONS

Proshop Plans® Copyright 1992 Proshop Weekend Building Projects—Circa 1992.

*Primary Examiner*—Wallace R. Burke

*Assistant Examiner*—H. Baynham

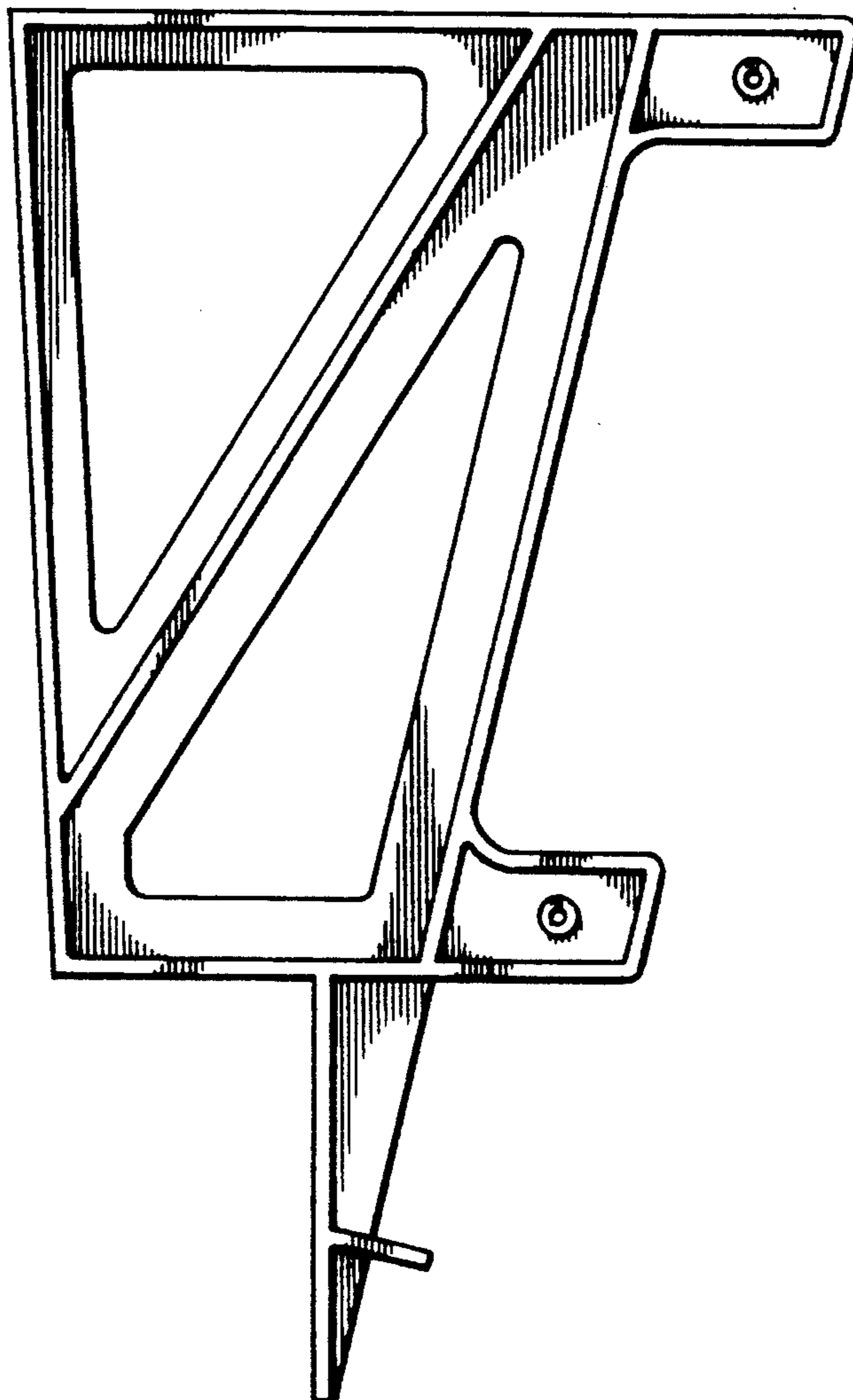
*Attorney, Agent, or Firm*—Trevor C. Klotz

### [57] CLAIM

The ornamental design for a bench support bracket, as shown.

### DESCRIPTION

FIG. 1 is a left side elevation of a bench support bracket showing my new design;  
 FIG. 2 is a right side elevation thereof;  
 FIG. 3 is a top plan view thereof;  
 FIG. 4 is a bottom plan view thereof;  
 FIG. 5 is a rear elevation thereof; and,  
 FIG. 6 is a front elevation thereof.



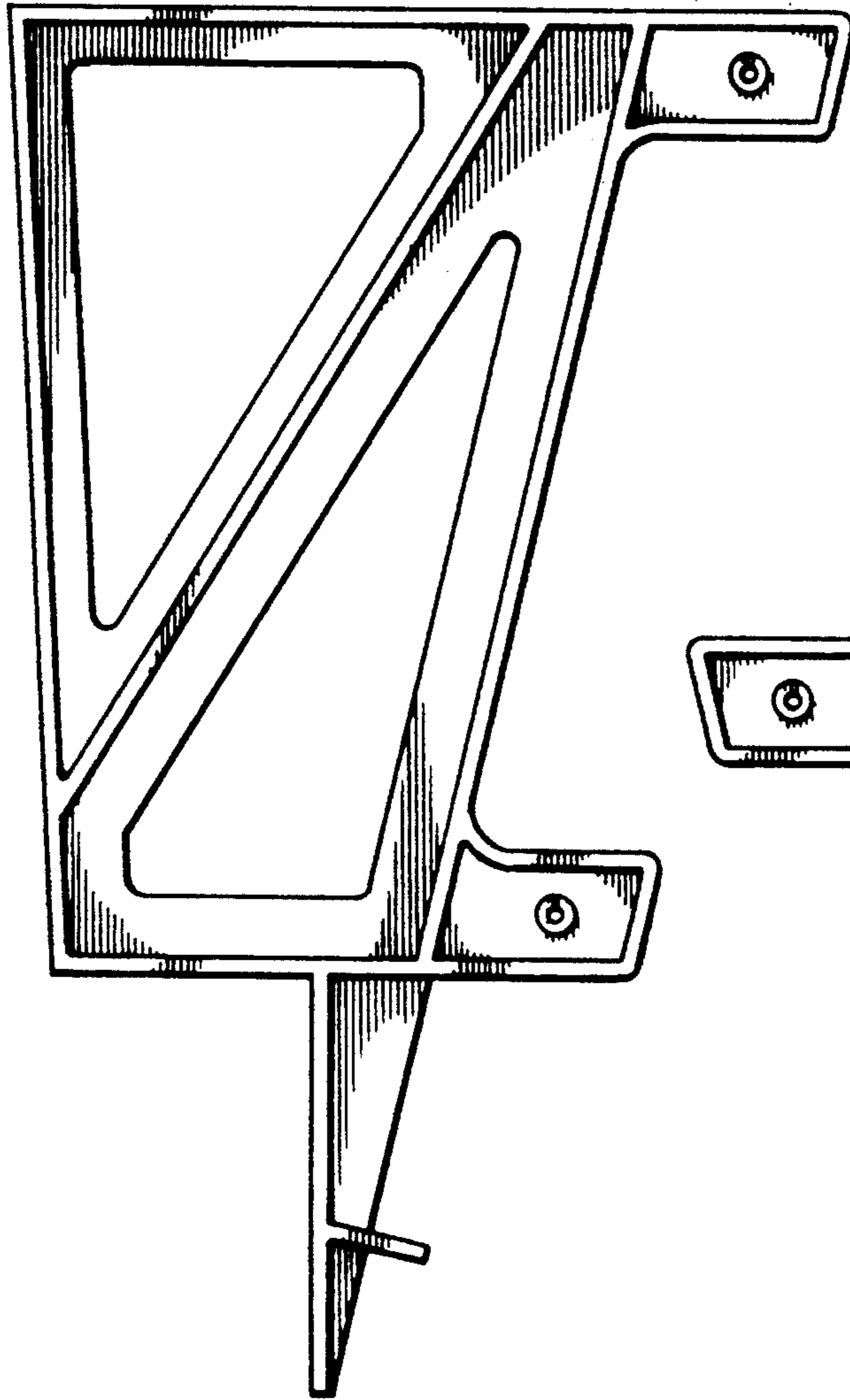


FIG. 1

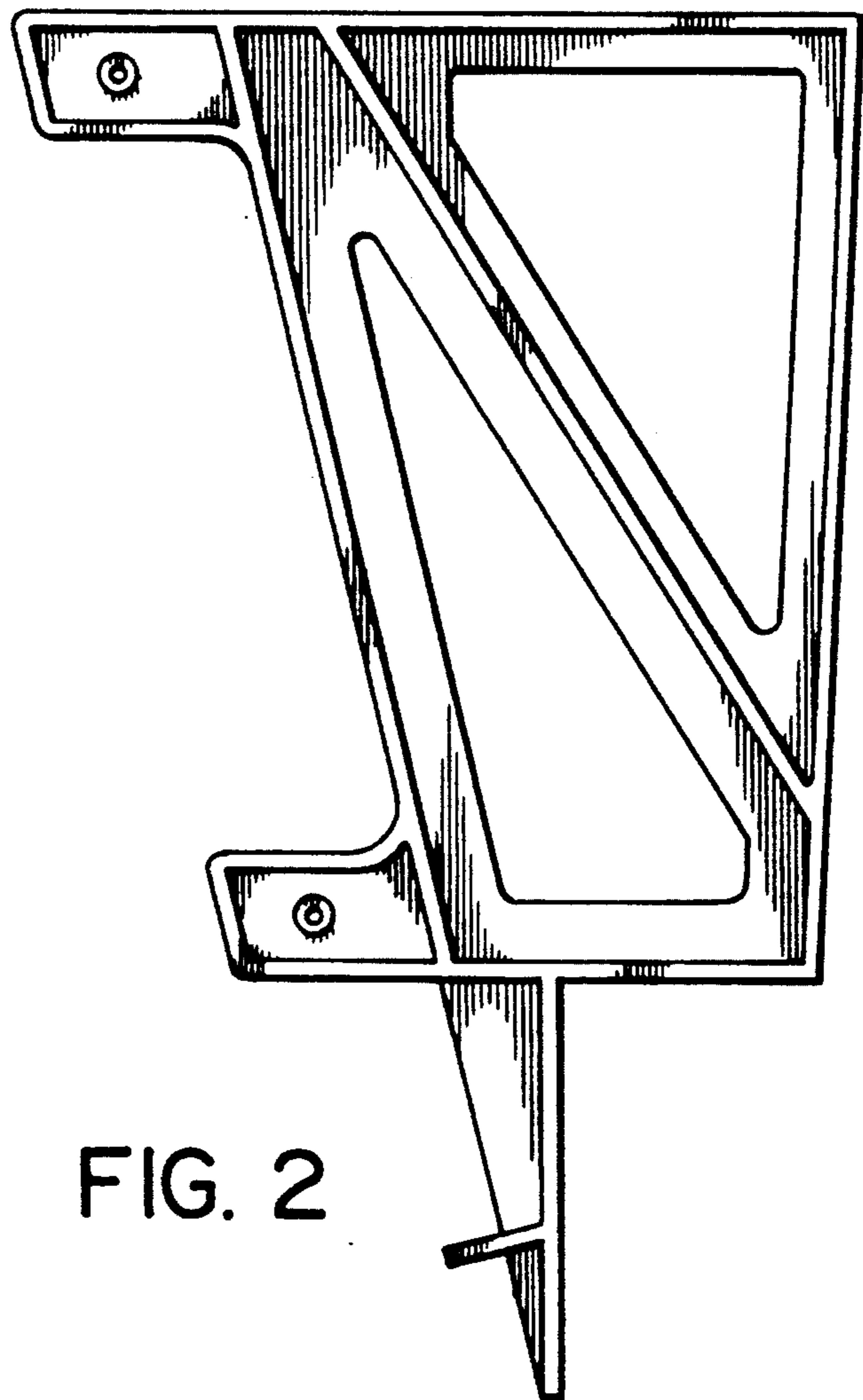


FIG. 2

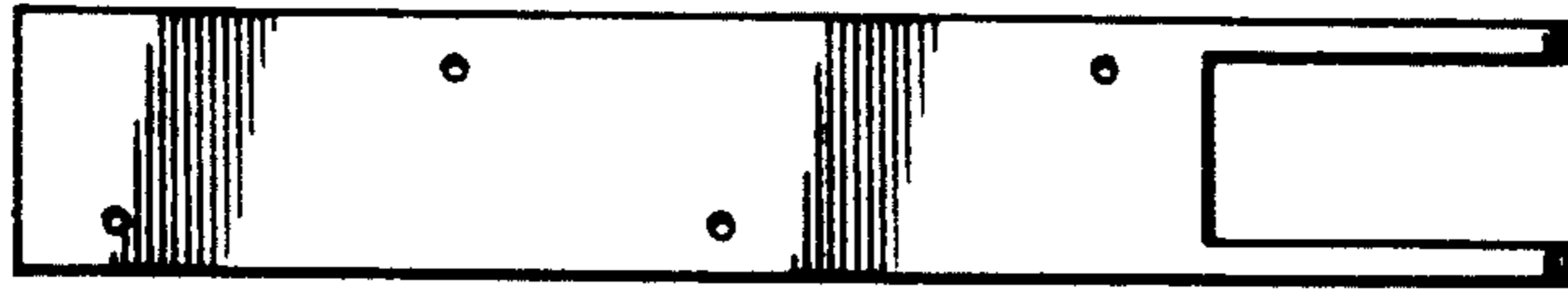


FIG. 3

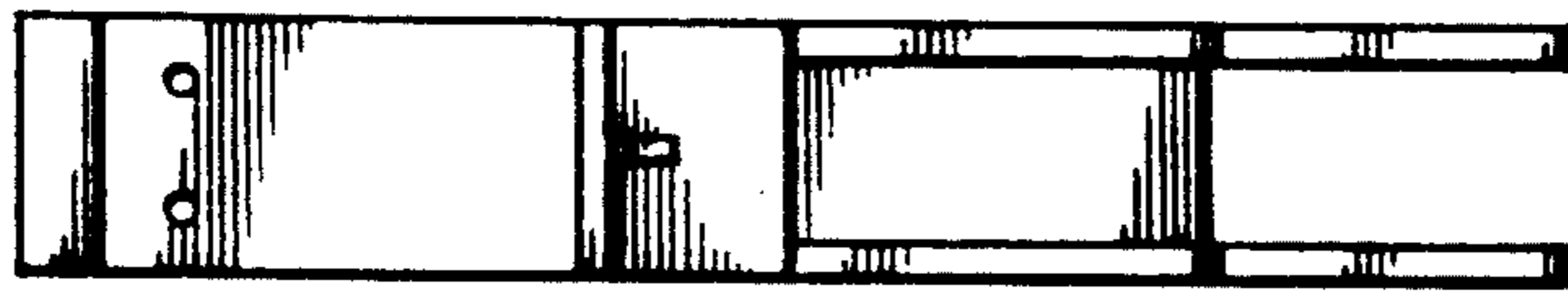


FIG. 4

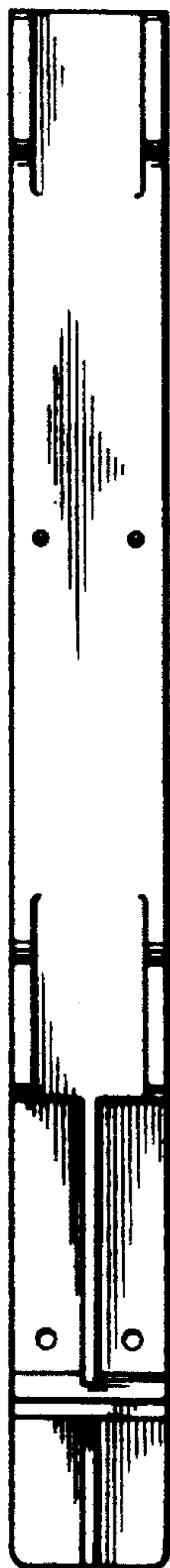


FIG. 5



FIG. 6