



US00D348211S

United States Patent [19]

Crocker, III et al.

[11] Patent Number: **Des. 348,211**

[45] Date of Patent: **** Jun. 28, 1994**

[54] LATCH MECHANISM

[75] Inventors: **Courtenay Crocker, III**, West Simsbury; **Stephen J. Sekulski**, New Hartford, both of Conn.

[73] Assignee: **Paneloc Corporation**, Farmington, Conn.

[**] Term: **14 Years**

[21] Appl. No.: **13,539**

[22] Filed: **Sep. 27, 1993**

Related U.S. Application Data

[62] Division of Ser. No. 876,391, Apr. 30, 1992.
[52] U.S. Cl. **D8/339**
[58] Field of Search **D8/330-331, D8/339, 341; 292/32, 37, 41-42, 57, 59**

[56]

References Cited

U.S. PATENT DOCUMENTS

4,423,895 1/1984 Mosely, Jr. 292/37 X
4,930,819 6/1990 Sharpe et al. 292/42

Primary Examiner—Brian N. Vinson
Attorney, Agent, or Firm—Victor E. Libert; Frederick A. Spaeth

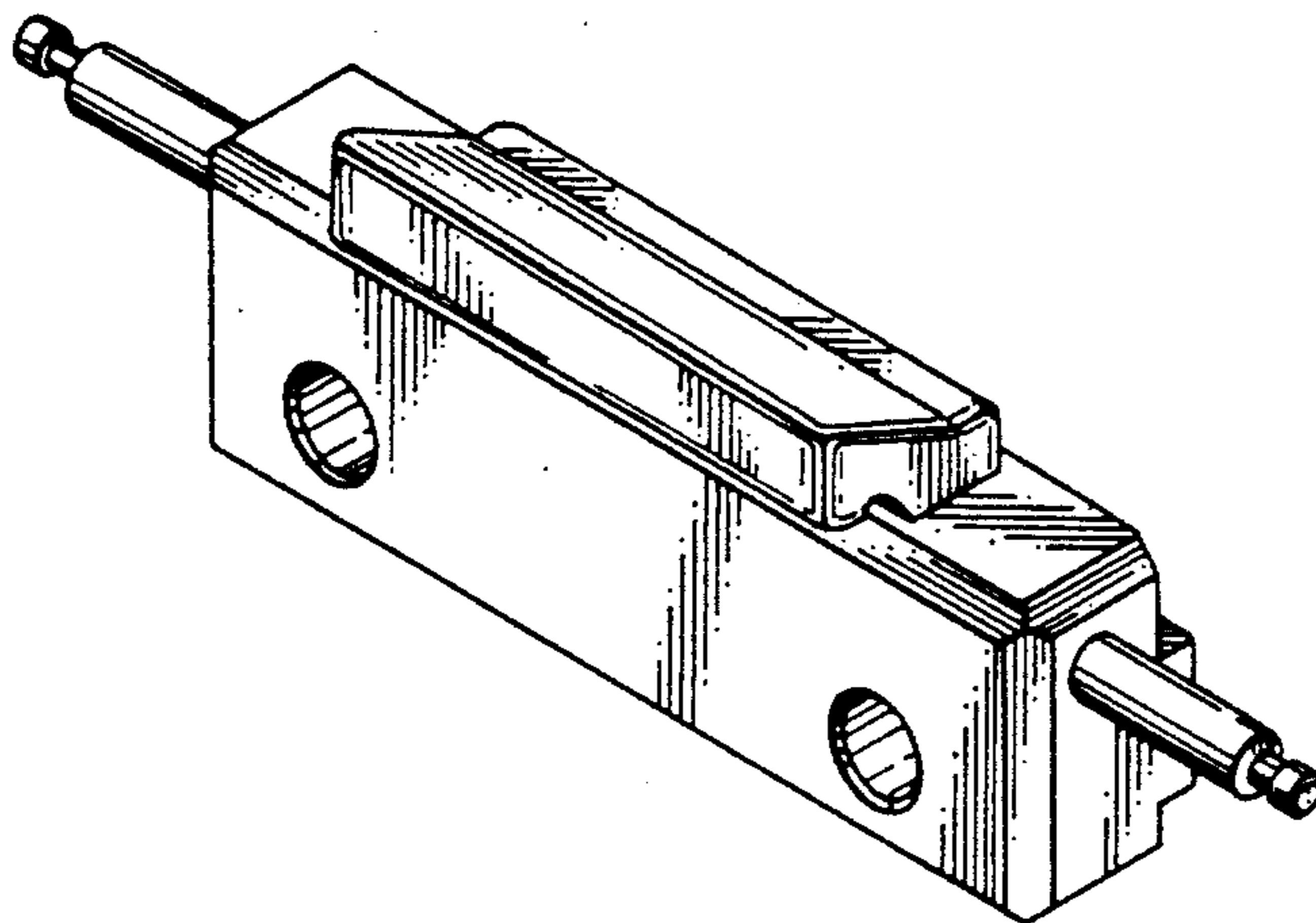
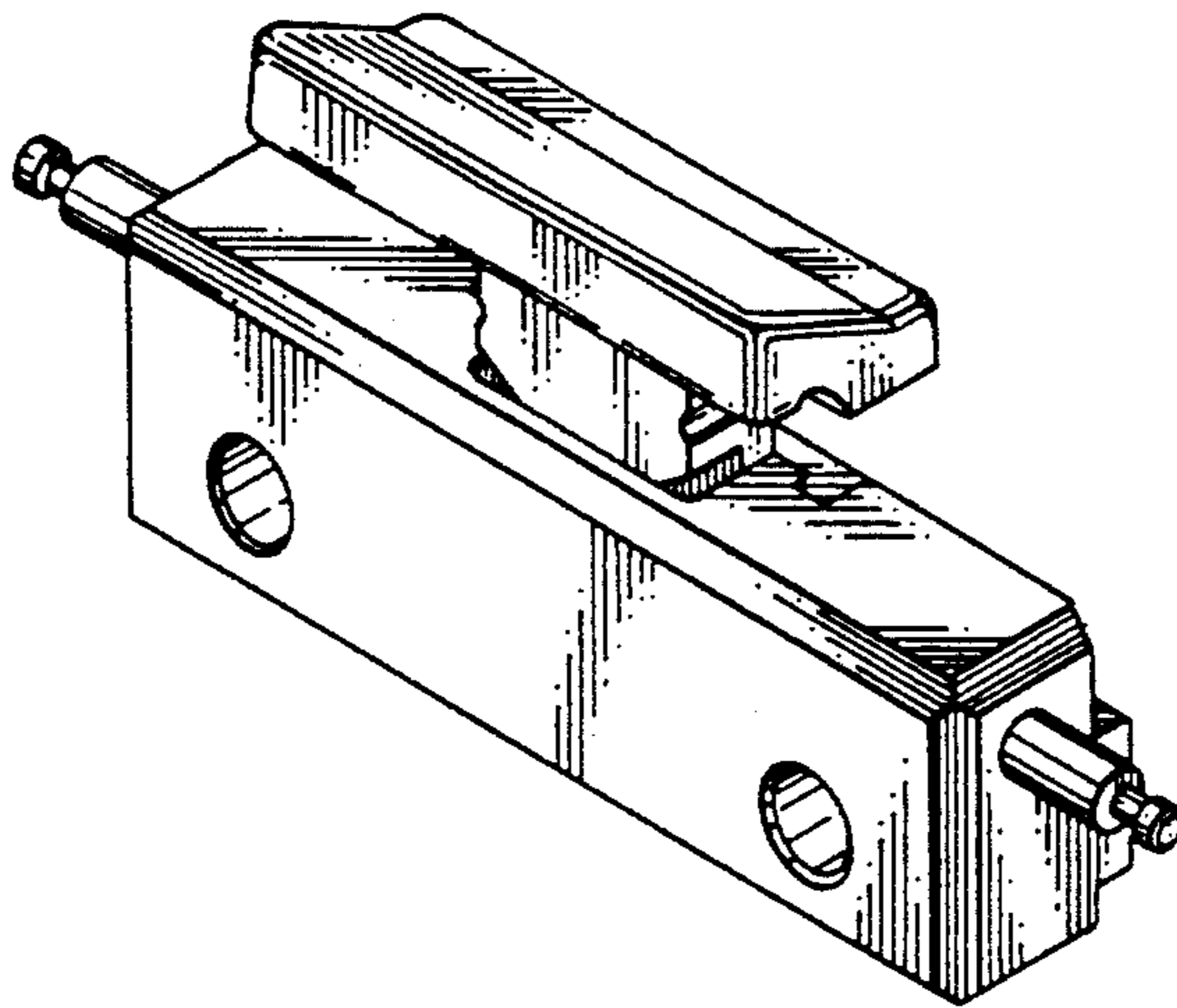
[57]

CLAIM

The ornamental design for a latch mechanism, as shown and described.

DESCRIPTION

FIG. 1 is a top, front, and right side perspective view of latch mechanism showing our new design; FIG. 2 is a front elevational view thereof; FIG. 3 is a top plan view thereof; FIG. 4 is a bottom plan view thereof; FIG. 5 is a rear elevational view thereof; FIG. 6 is a right side elevational view thereof, the left side being a mirror image of that shown; FIG. 7 is a top, front, and right side perspective view thereof, shown in an alternate position; and, FIG. 8 is a front elevational view thereof, shown in an alternate position.



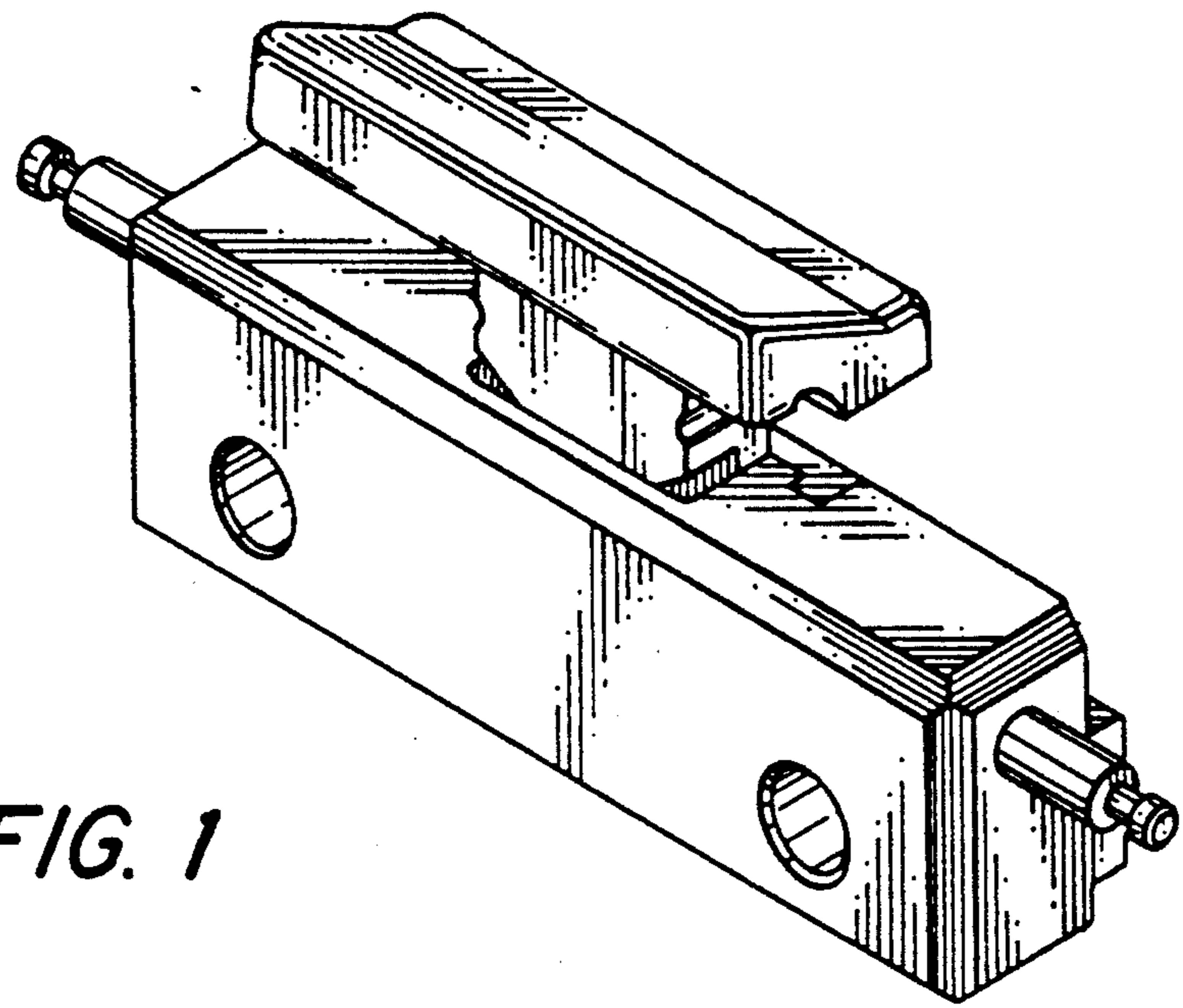


FIG. 1

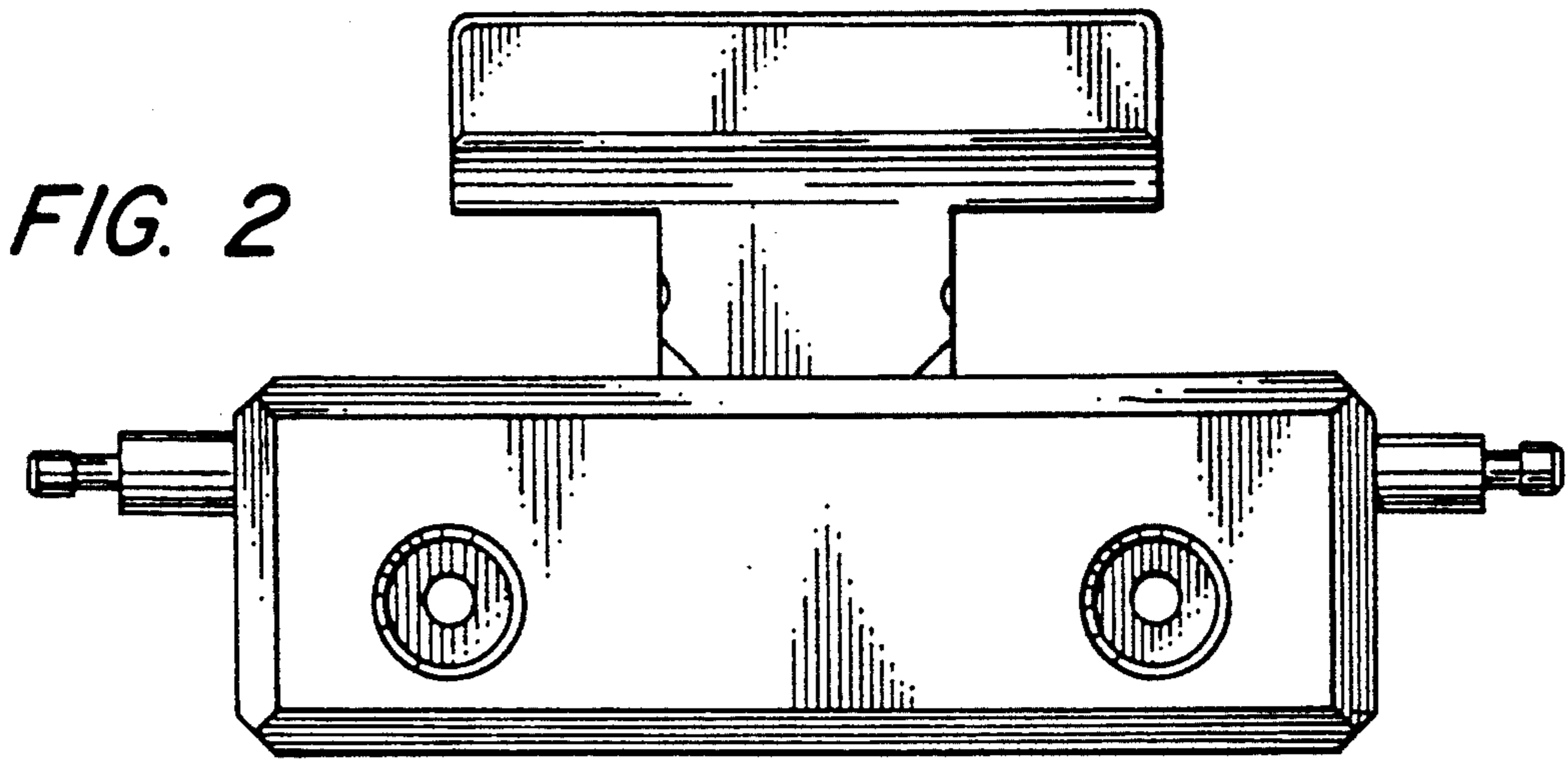


FIG. 2

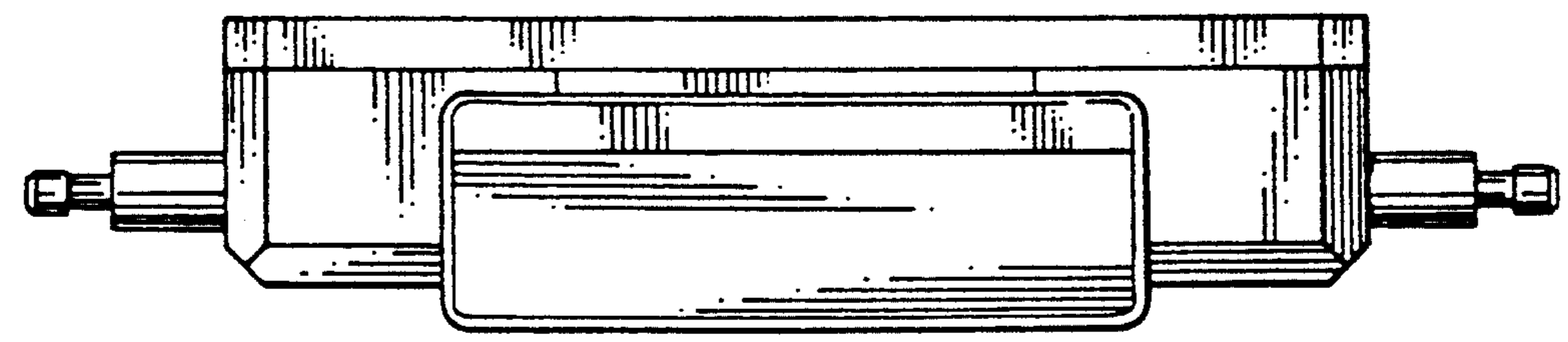


FIG. 3

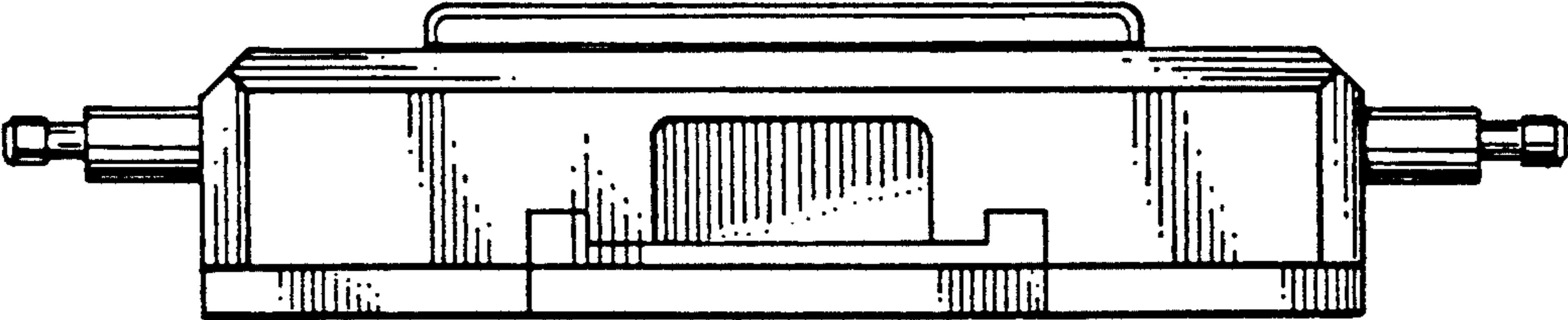


FIG. 4

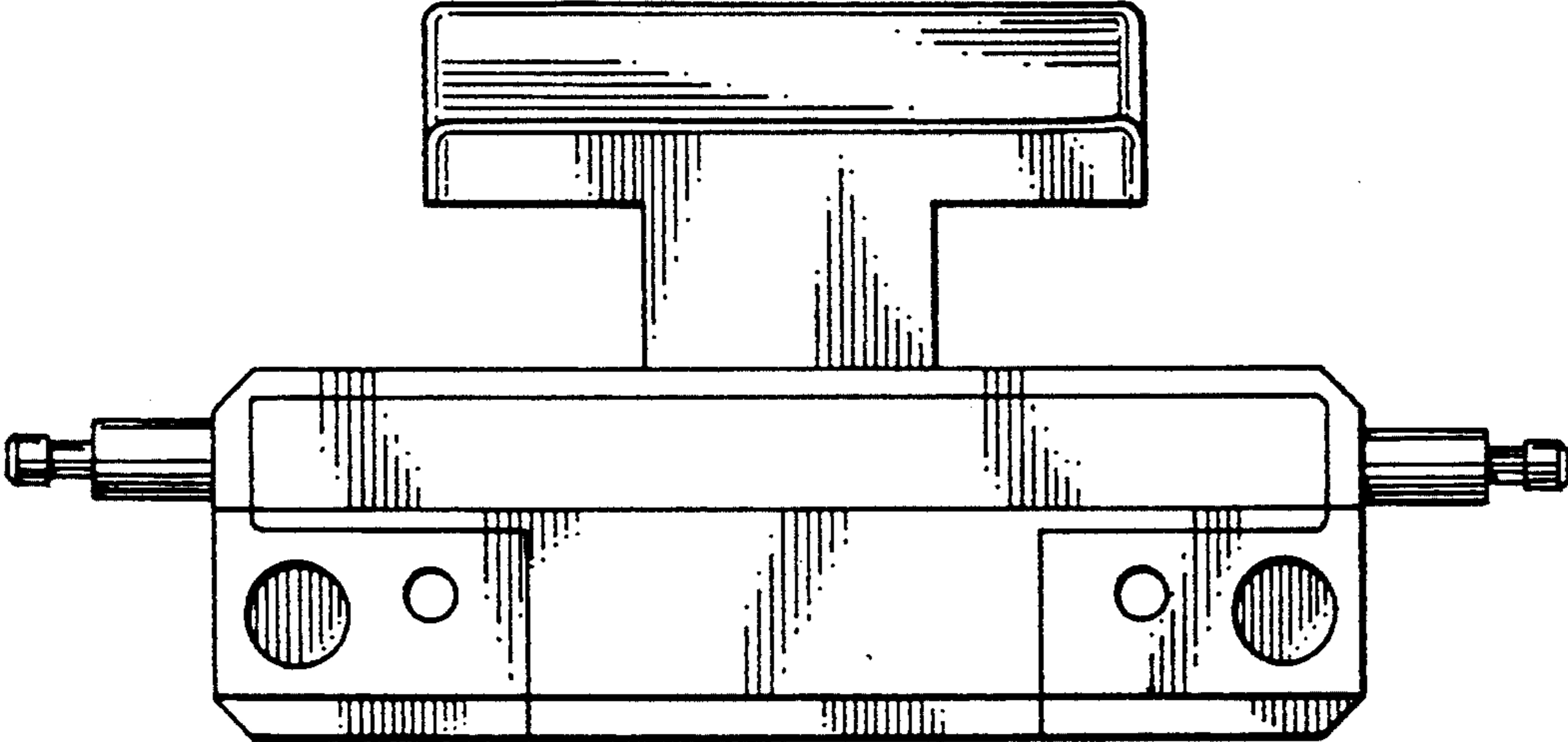


FIG. 5

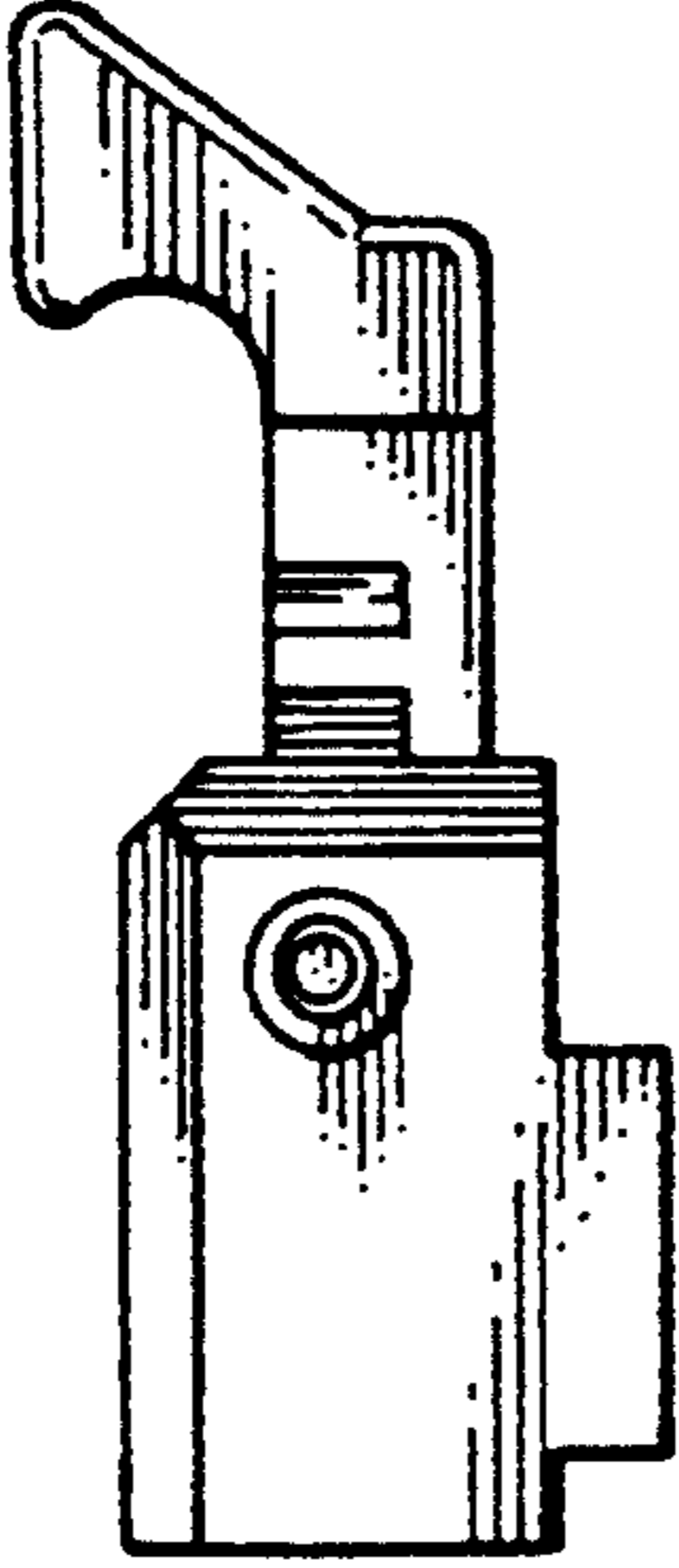


FIG. 6

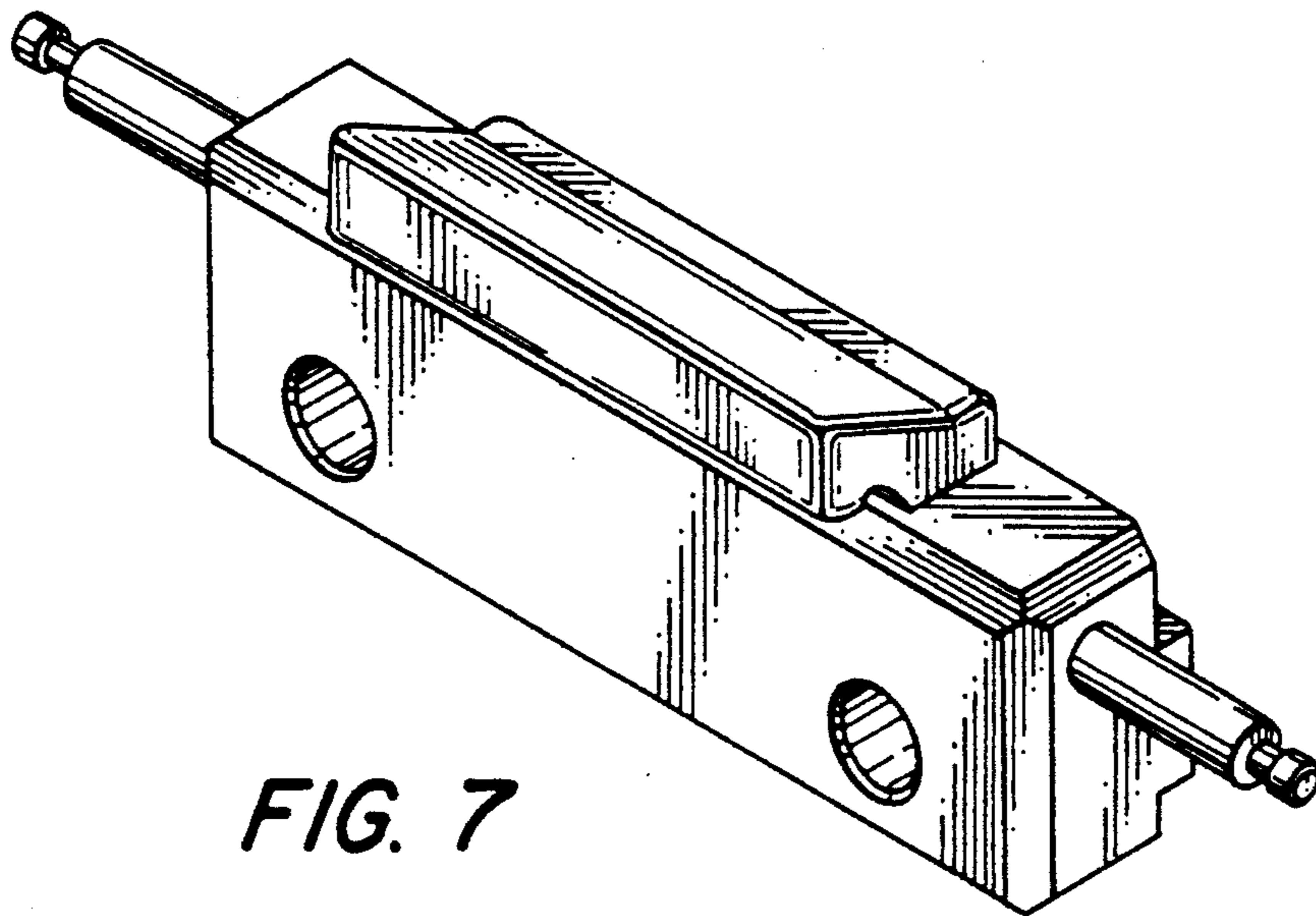


FIG. 7

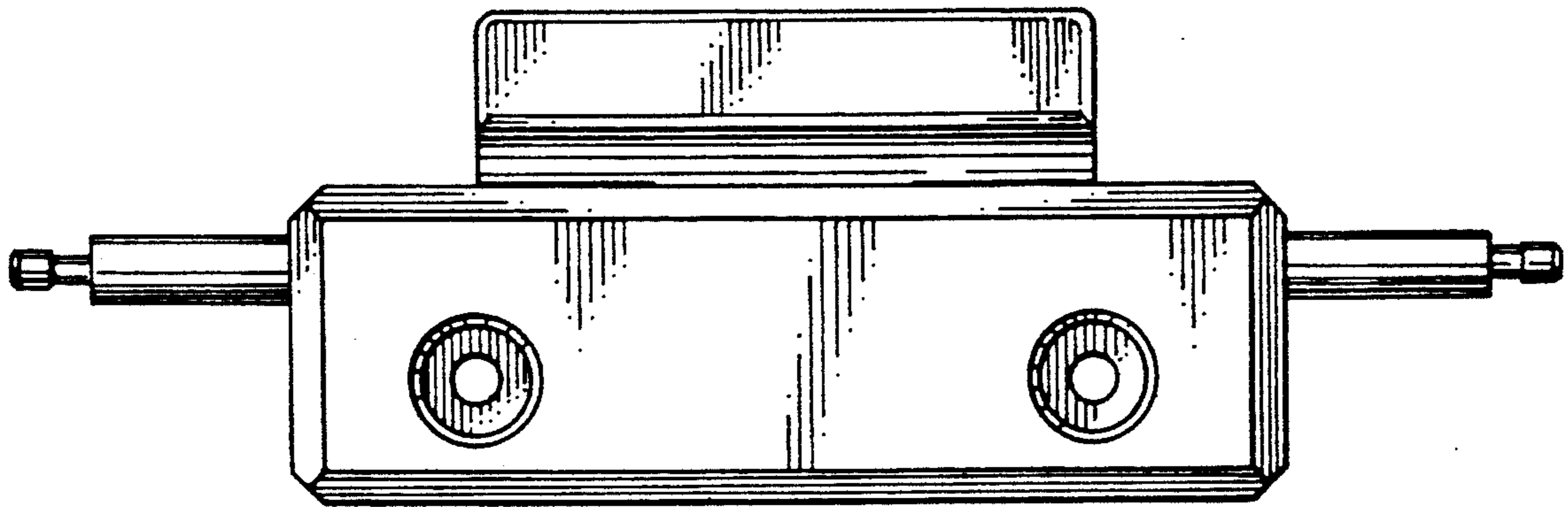


FIG. 8