



US00D348210S

# United States Patent [19]

[11] Patent Number: **Des. 348,210**

**Bonzer**

[45] Date of Patent: **\*\* Jun. 28, 1994**

[54] **LOCKABLE LATCH FOR A SPARE TIRE COVER**

3,592,028 7/1971 LaMonica ..... 70/57

[76] Inventor: **Robert L. Bonzer**, 37 Wheelhouse Ct., Long Beach, Calif. 90803

*Primary Examiner*—Brian N. Vinson  
*Attorney, Agent, or Firm*—Fulwider, Patton, Lee & Utecht

[\*\*] Term: **14 Years**

[57] **CLAIM**

[21] Appl. No.: **822,308**

The ornamental design for a lockable latch for a spare tire cover, as shown and described.

[22] Filed: **Jan. 17, 1992**

**DESCRIPTION**

[52] U.S. Cl. .... **D8/338; D8/331**

[58] Field of Search ..... **D8/330-331, D8/336, 338, 344-345; 70/77, 57, 158, 159, 160, 258-259; 292/DIG. 11**

FIG. 1 is a top, front, and left side perspective view of a lockable latch for a spare tire cover showing my new design;

FIG. 2 is a top plan view thereof;

FIG. 3 is a bottom plan view thereof;

FIG. 4 is a left side elevational view thereof, the right side being a mirror image of that shown;

FIG. 5 is a rear elevational view thereof; and,

FIG. 6 is a front elevational view thereof.

[56] **References Cited**

**U.S. PATENT DOCUMENTS**

D. 313,543 1/1991 MacFarlane ..... D8/338  
3,245,240 4/1966 DeForest ..... 70/158

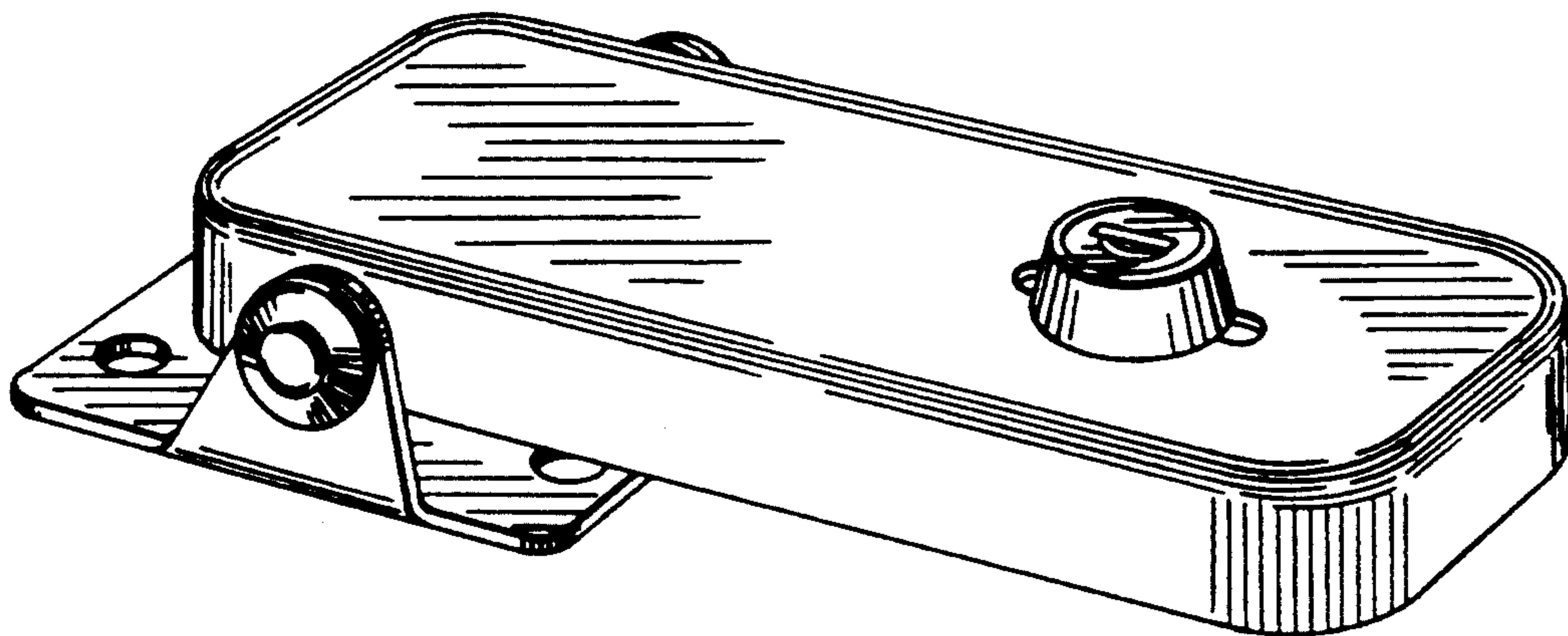


FIG. 1

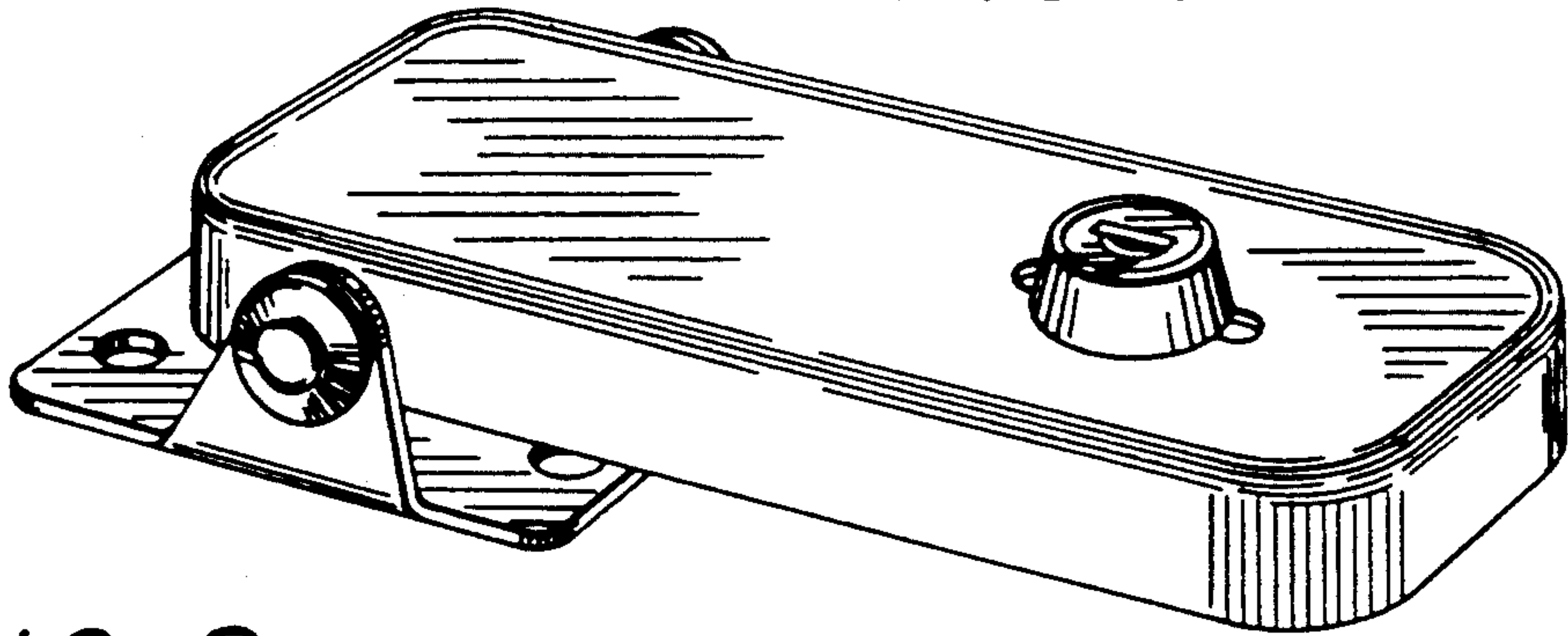


FIG. 2

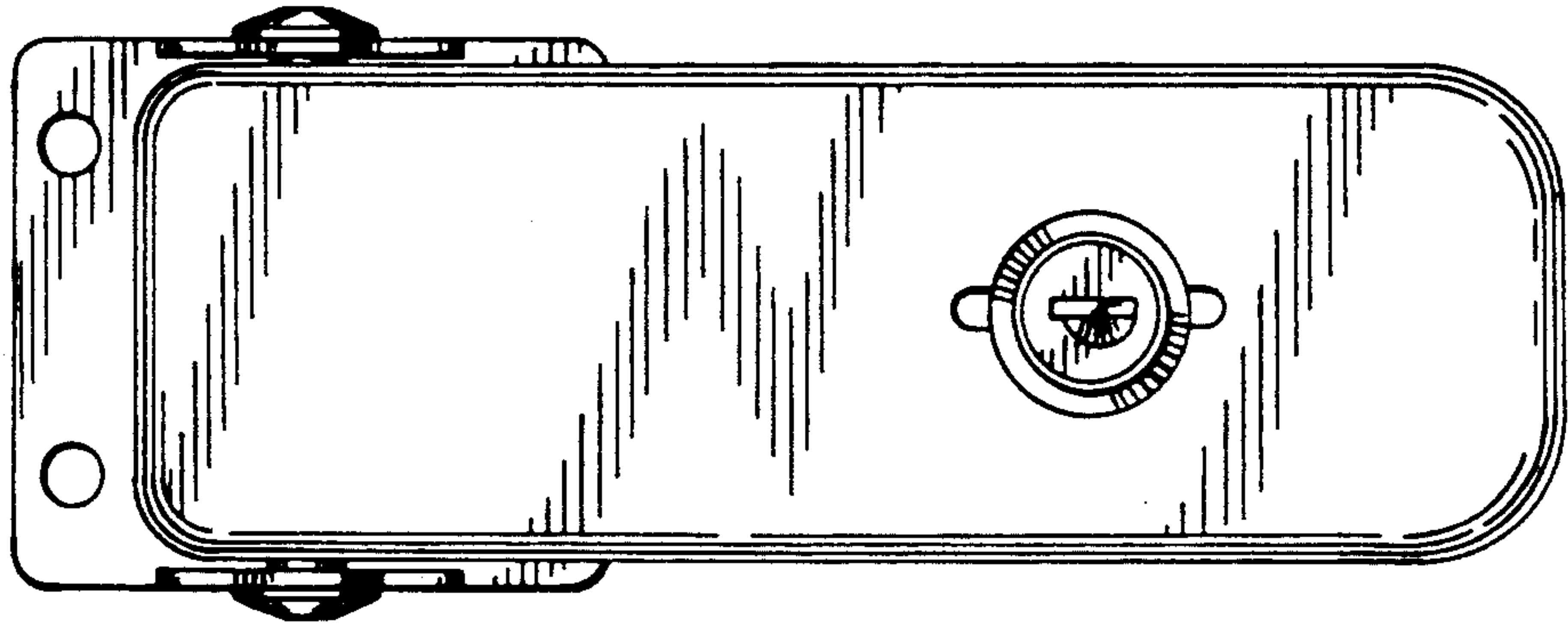


FIG. 3

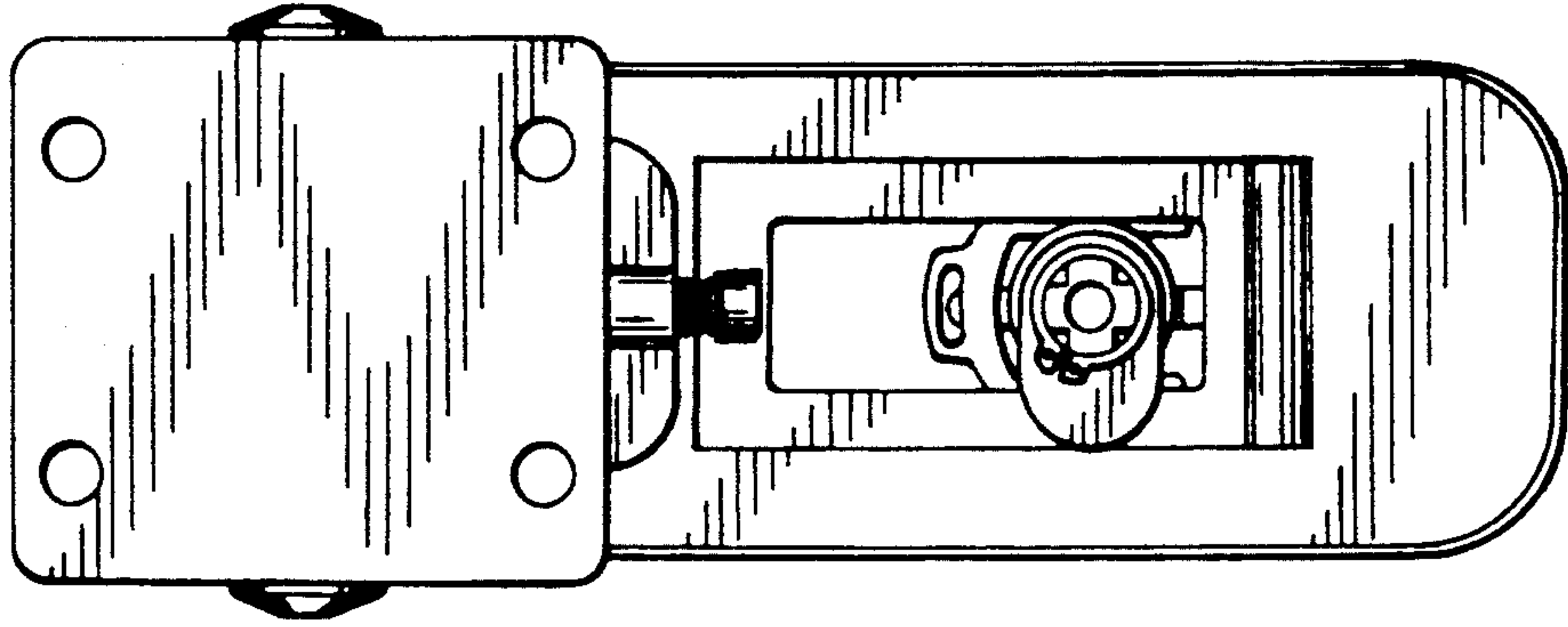


FIG. 4

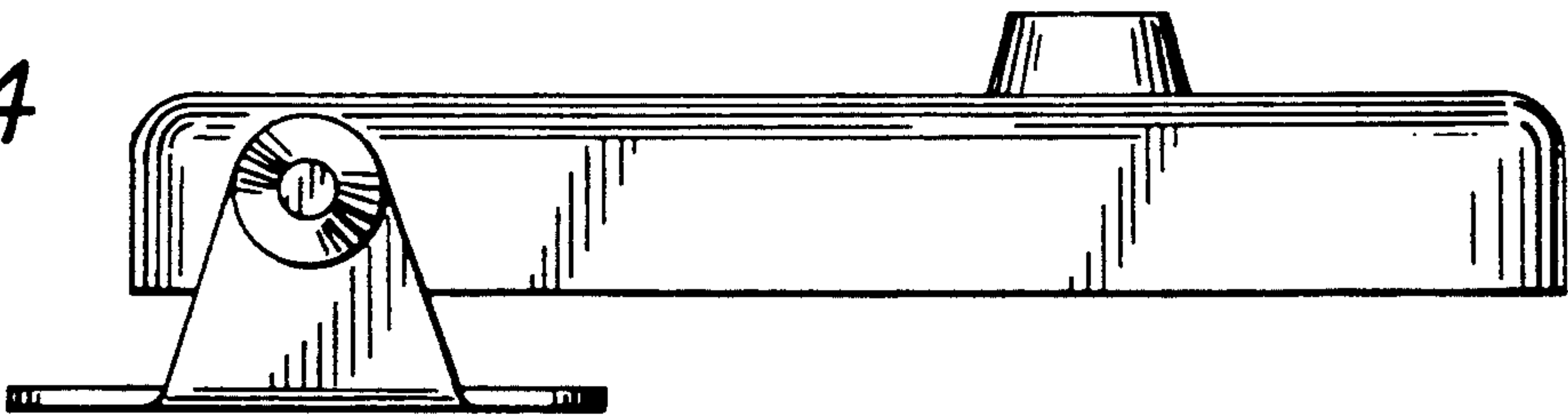


FIG. 5

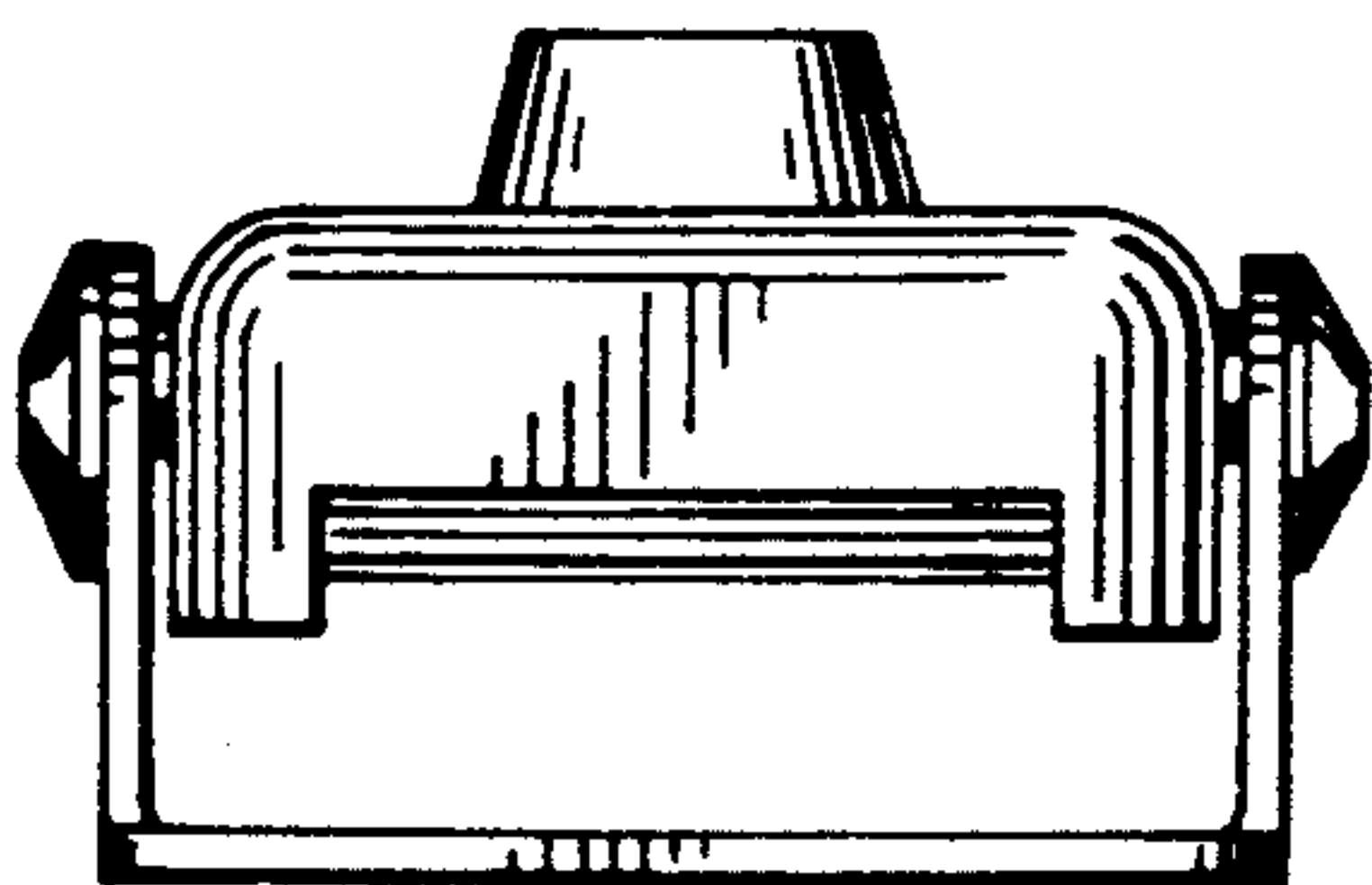


FIG. 6

