



US00D348209S

United States Patent [19] Chen

[11] Patent Number: **Des. 348,209**
[45] Date of Patent: **** Jun. 28, 1994**

[54] AUTOMOBILE STEERING WHEEL LOCK

[76] Inventor: **Tian-Yuan Chen**, No. 95-4,
Min-Hsiang Street, Chung-Ho,
Taipei Hsien, Taiwan

[**] Term: **14 Years**

[21] Appl. No.: **13,514**

[22] Filed: **Sep. 27, 1993**

[52] U.S. Cl. **D8/331**

[58] Field of Search **D8/330-331,**
D8/333, 339, 341; 70/14, 233, 237-238, 245,
247, 252

[56] **References Cited**

U.S. PATENT DOCUMENTS

D. 330,500	10/1992	Chen	D8/331
D. 333,970	3/1993	Starmer	D8/331
D. 339,973	10/1993	Chen	D8/331
D. 340,855	11/1993	Wu et al.	D8/331
4,882,920	11/1989	Wu	70/209
4,974,433	12/1990	Wang	70/237 X
5,095,723	3/1992	Lin	70/209 X

FOREIGN PATENT DOCUMENTS

2413710 3/1974 Fed. Rep. of Germany 70/238
2238519A 6/1991 United Kingdom 70/238

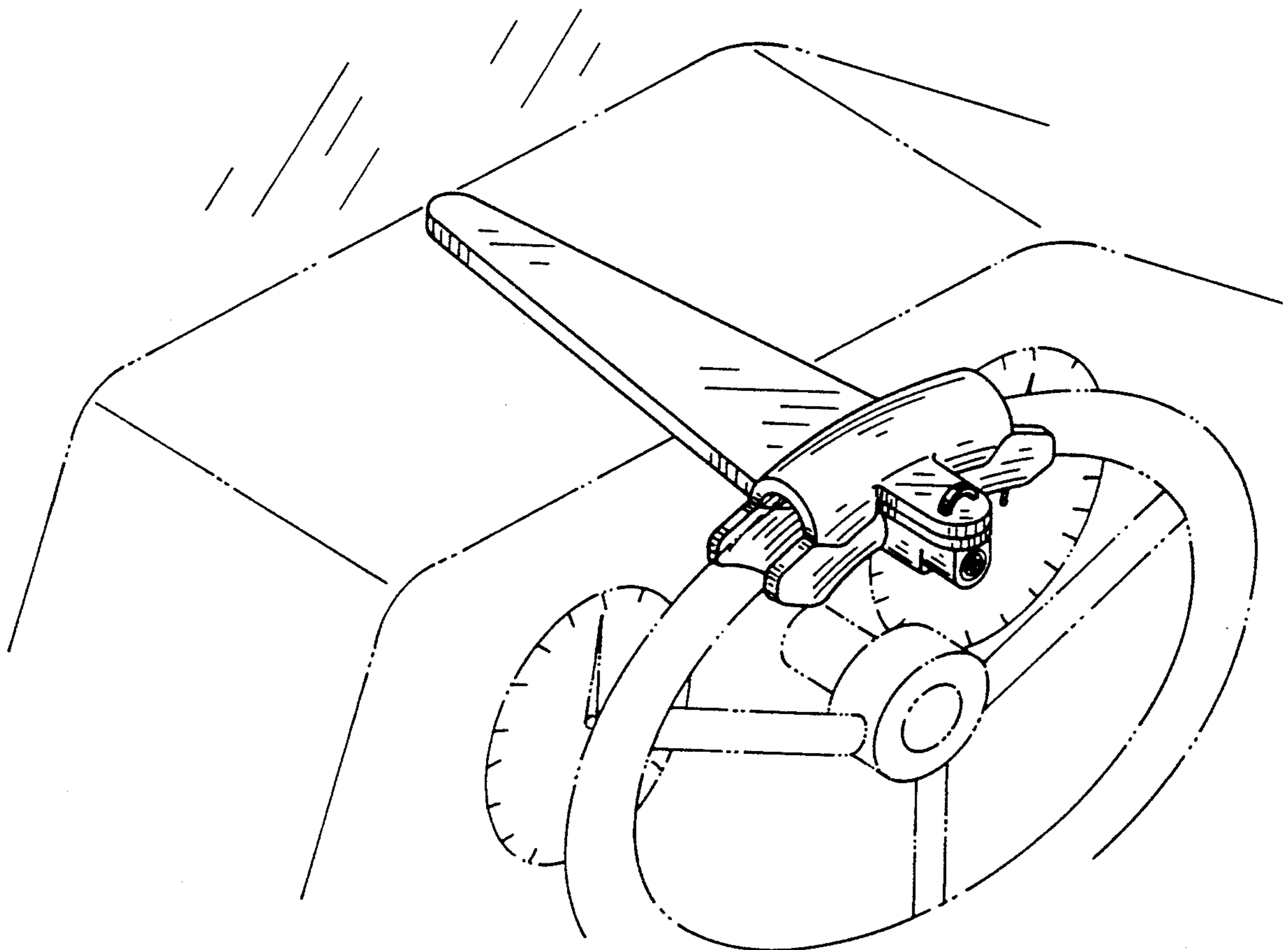
Primary Examiner—Brian N. Vinson

[57] **CLAIM**

The ornamental design for an automobile steering wheel lock as shown and described.

DESCRIPTION

FIG. 1 is a top, front, and left side perspective view of an automobile steering wheel lock showing my new design;
FIG. 2 is a front elevational view thereof;
FIG. 3 is a rear elevational view thereof;
FIG. 4 is a left side elevational view thereof;
FIG. 5 is a right side elevational view thereof;
FIG. 6 is a top plan view thereof;
FIG. 7 is a bottom plan view thereof; and,
FIG. 8 is a reduced top, front and left side perspective view thereof, the broken-line disclosure of a portion of a steering wheel and automobile interior being for illustrative purposes only and forming no part of the claimed design.



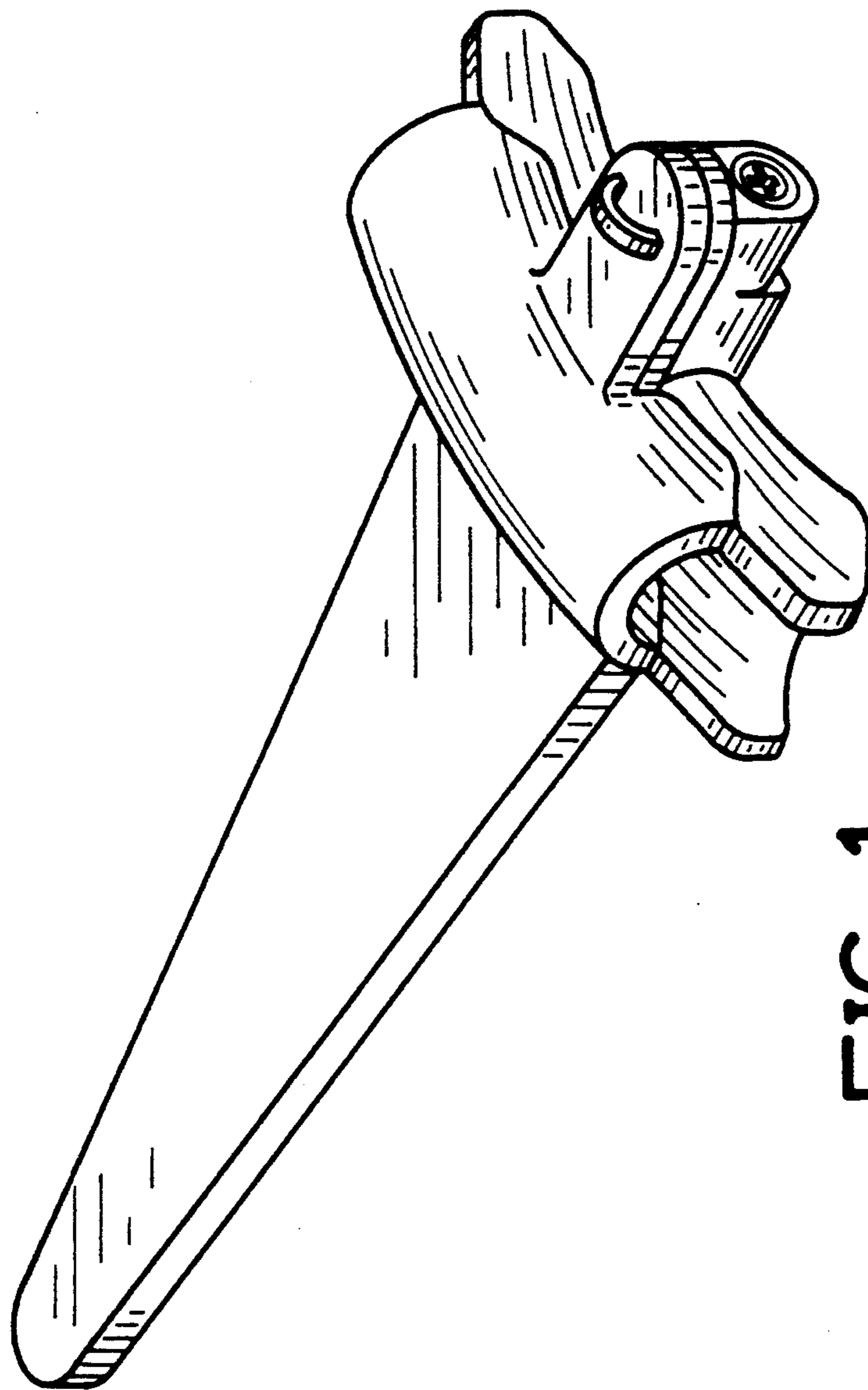


FIG. 1

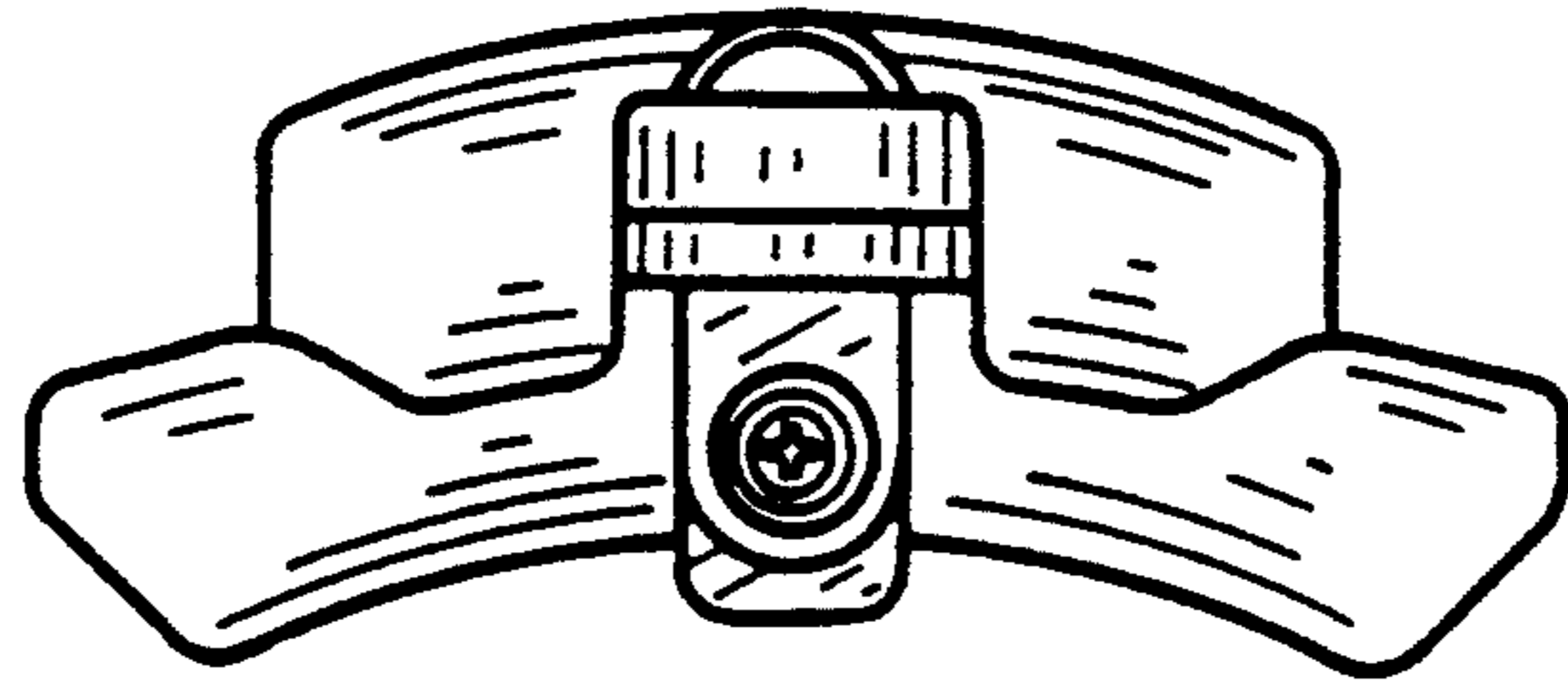


FIG. 2

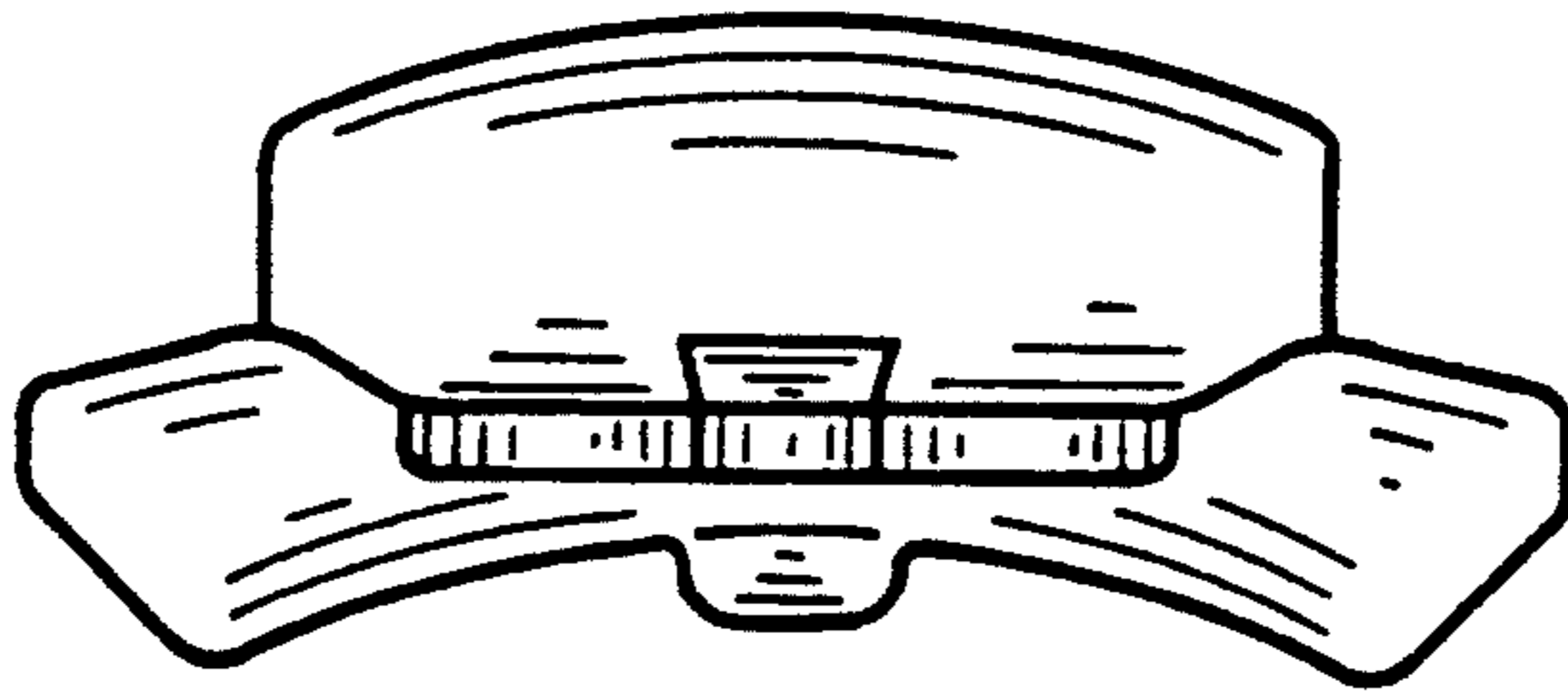


FIG. 3

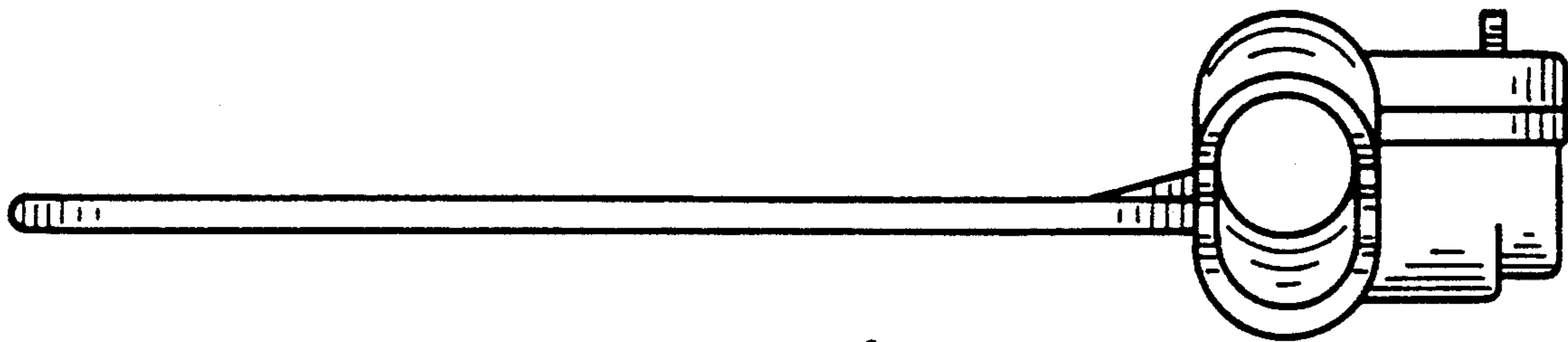


FIG. 4

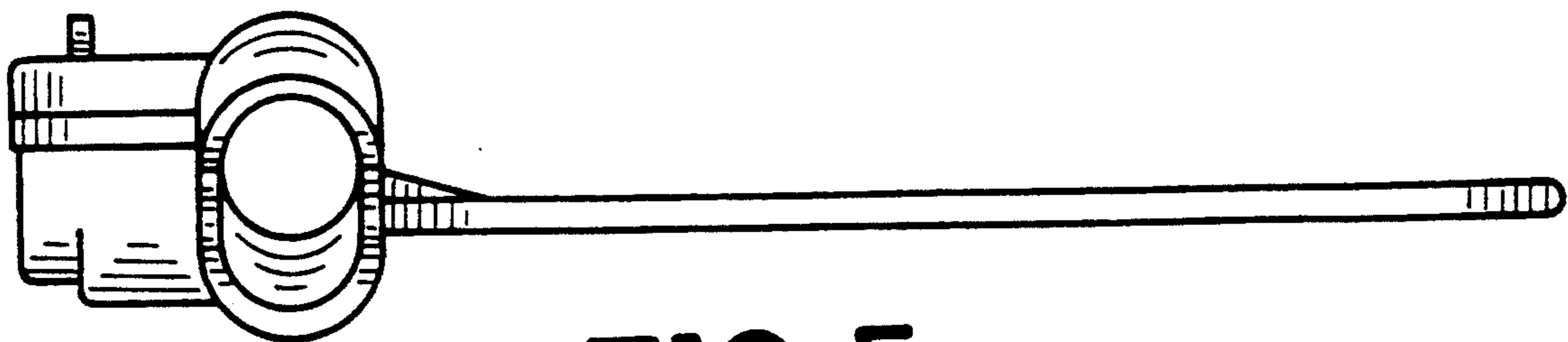
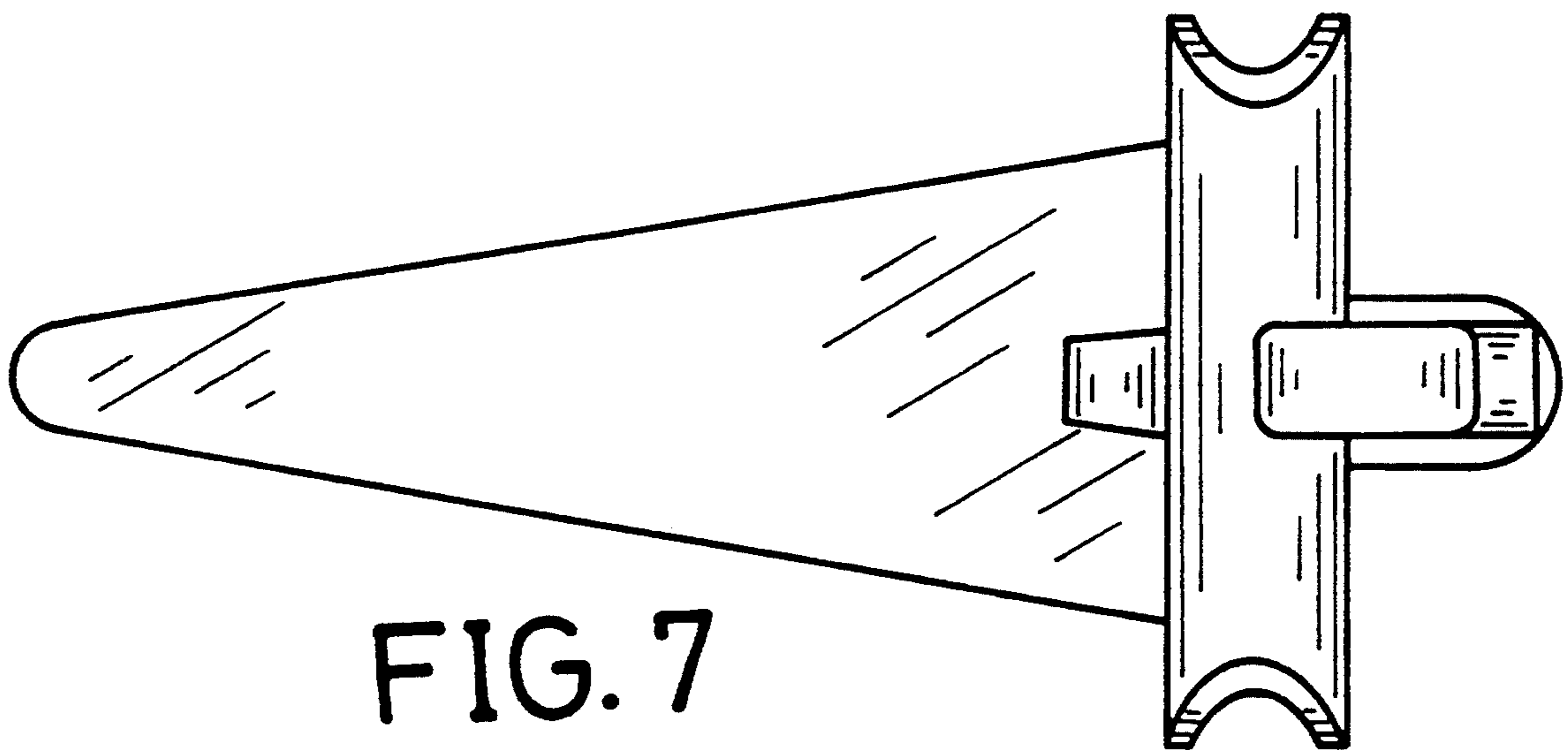
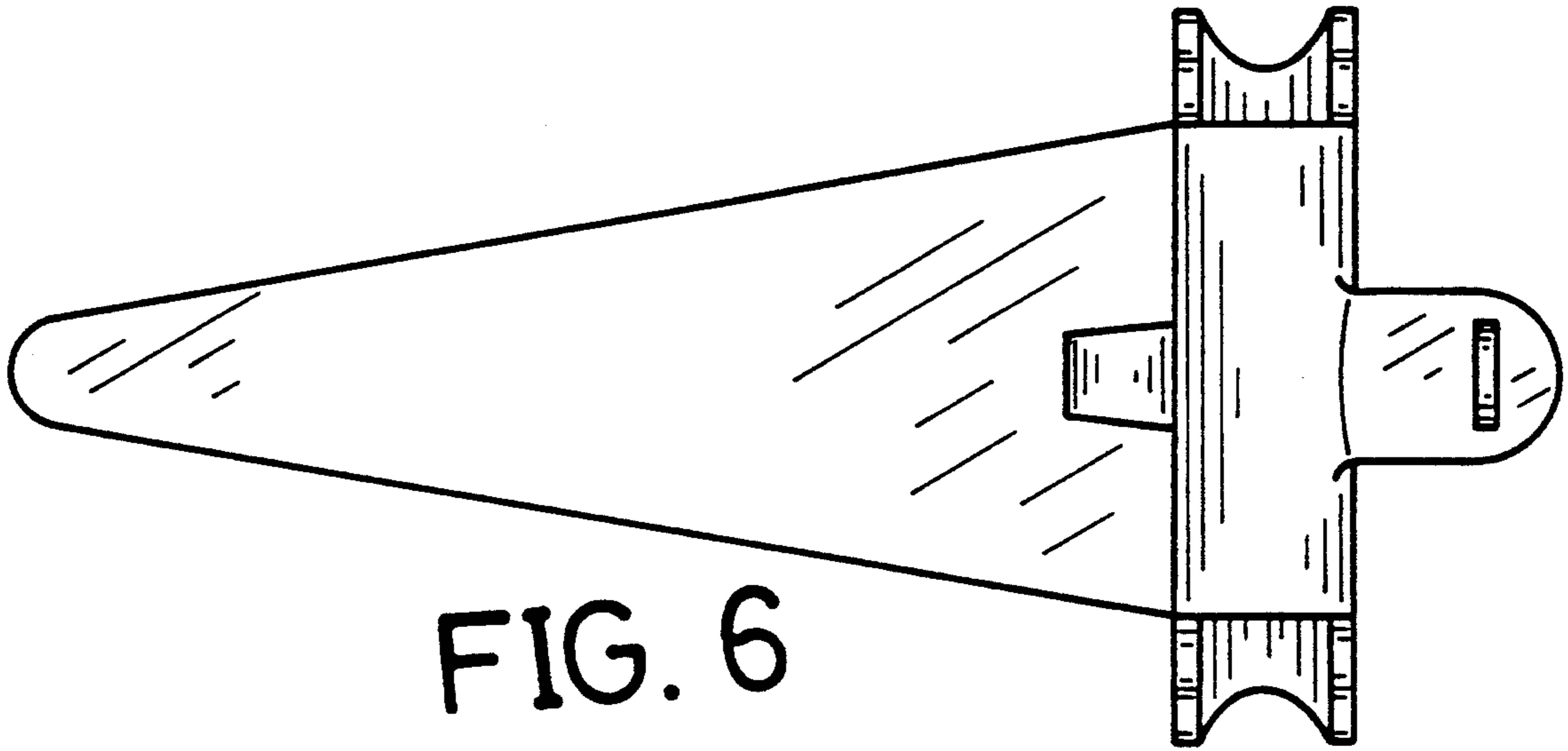


FIG. 5



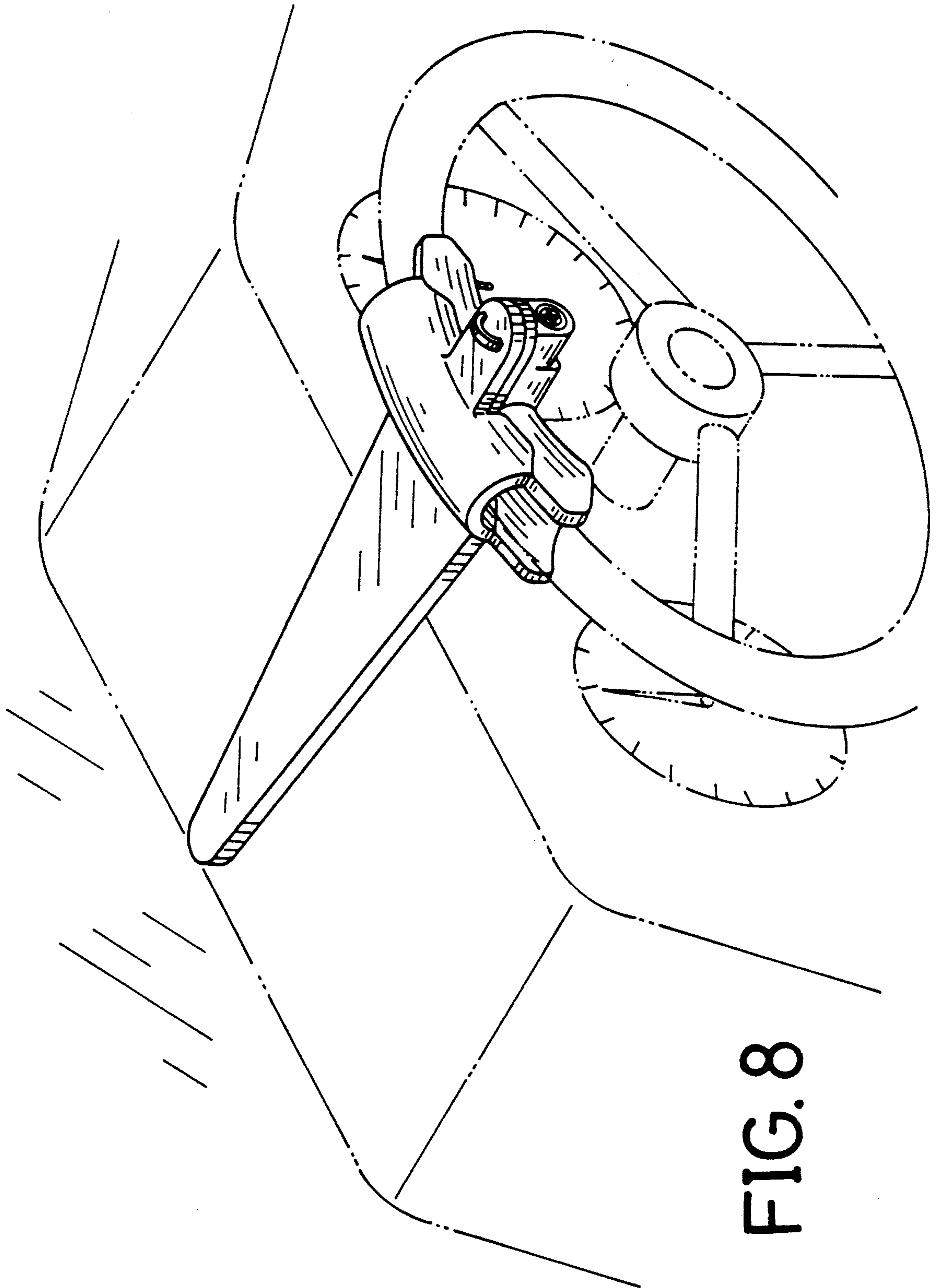


FIG. 8