



US00D348207S

**United States Patent** [19]  
**Chen**

[11] **Patent Number: Des. 348,207**  
[45] **Date of Patent: \*\* Jun. 28, 1994**

[54] **AUTOMOBILE STEERING WHEEL LOCK**

[76] **Inventor: Ping-Ken Chen, No. 16, Kanping, Chiku, Tainan Hsing, Taiwan**

[\*\*] **Term: 14 Years**

[21] **Appl. No.: 13,223**

[22] **Filed: Sep. 21, 1993**

[52] **U.S. Cl. .... D8/331**

[58] **Field of Search .... D8/330-331, D8/333, 339, 341; 70/14, 233, 237-238, 245, 247, 252**

[56] **References Cited**

**U.S. PATENT DOCUMENTS**

D. 330,500	10/1992	Chen	.....	D8/331
D. 333,970	3/1993	Starmer	.....	D8/331
D. 339,973	10/1993	Chen	.....	D8/331
D. 340,855	11/1993	Wu et al.	.....	D8/331
5,095,723	3/1992	Lin	.....	70/238 X

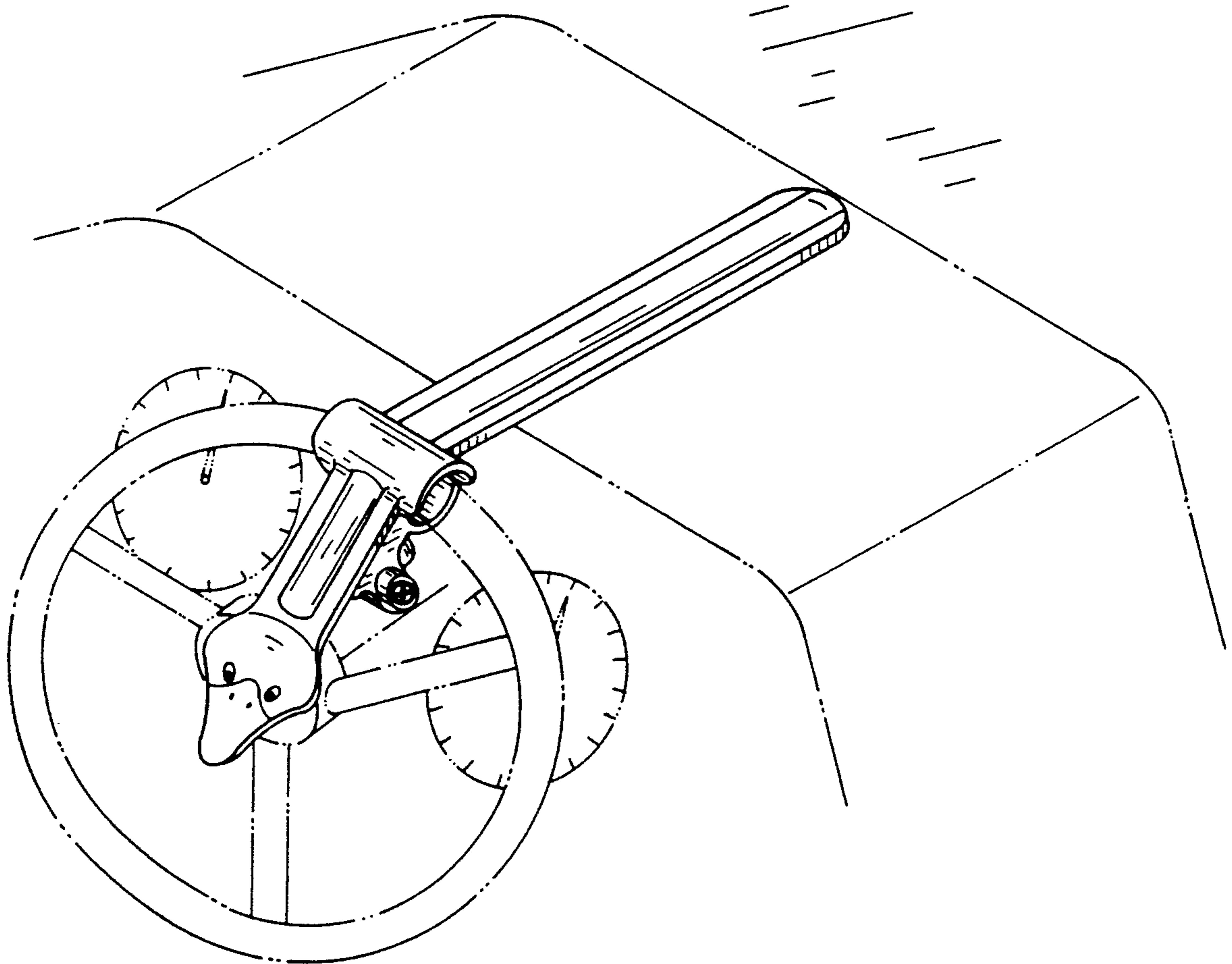
*Primary Examiner*—Brian N. Vinson

[57] **CLAIM**

The ornamental design for an automobile steering wheel lock, as shown and described.

**DESCRIPTION**

FIG. 1 is a top, front, and right side perspective view of an automobile steering wheel lock; FIG. 2 is a front elevational view thereof; FIG. 3 is a rear elevational view thereof; FIG. 4 is a left elevational view thereof; FIG. 5 is a right side elevational view thereof; FIG. 6 is a top plan view thereof; FIG. 7 is a bottom plan view thereof; and, FIG. 8 is a reduced top, front, and right side perspective view thereof, the broken-line disclosure of a portion of a steering wheel and automobile interior being for illustrative purposes only and forming no part of the claimed design.



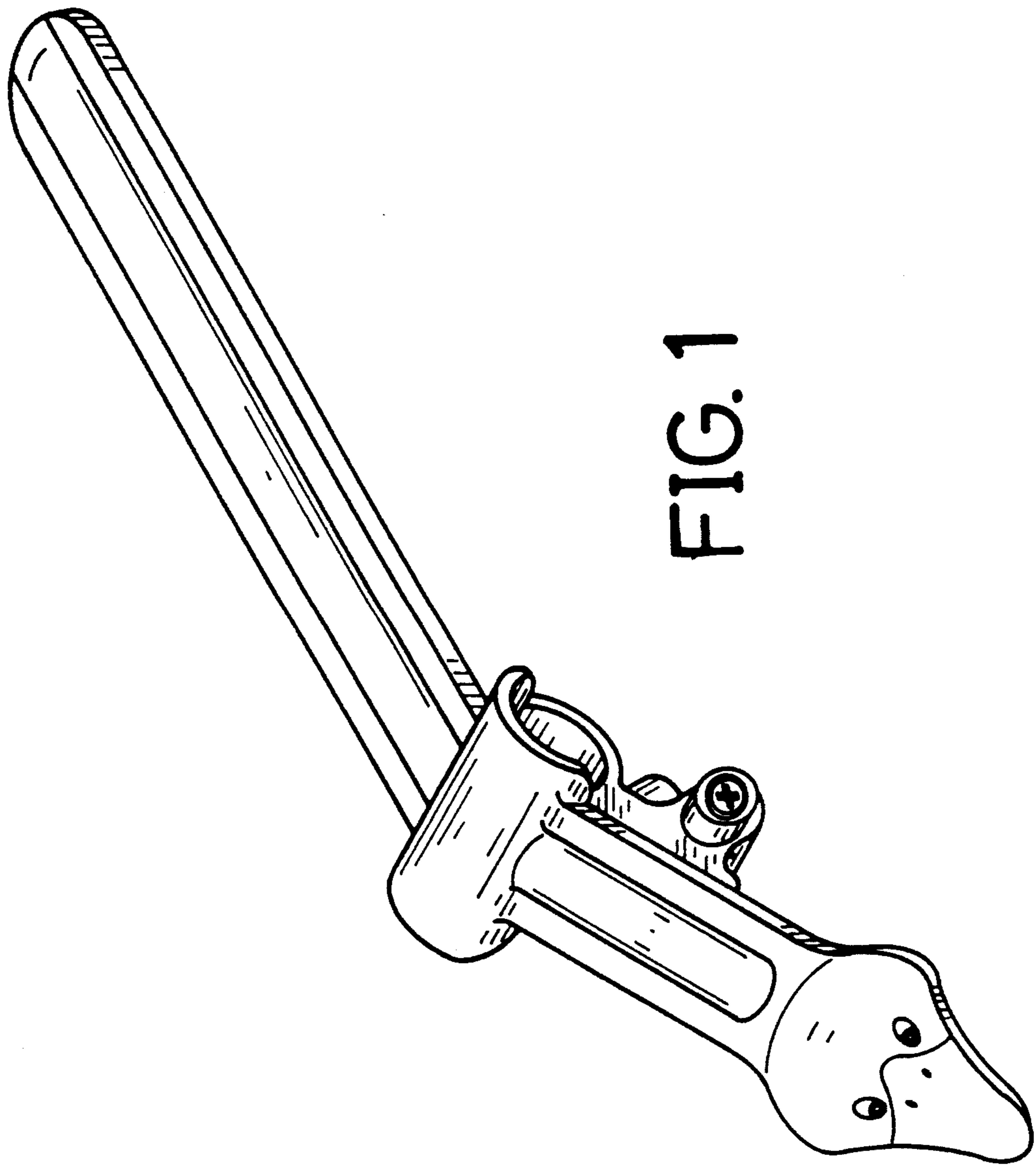


FIG. 1

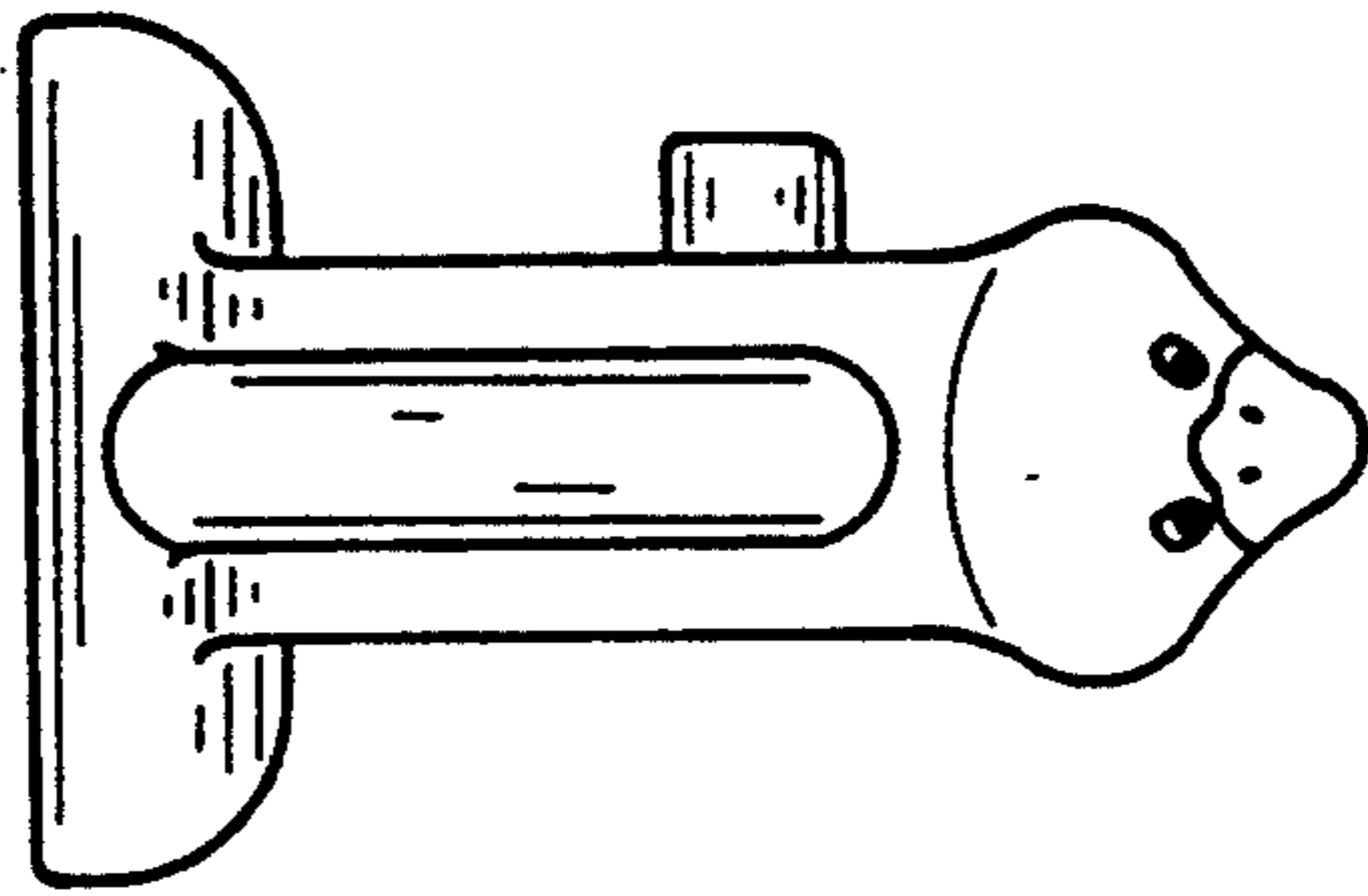


FIG. 2

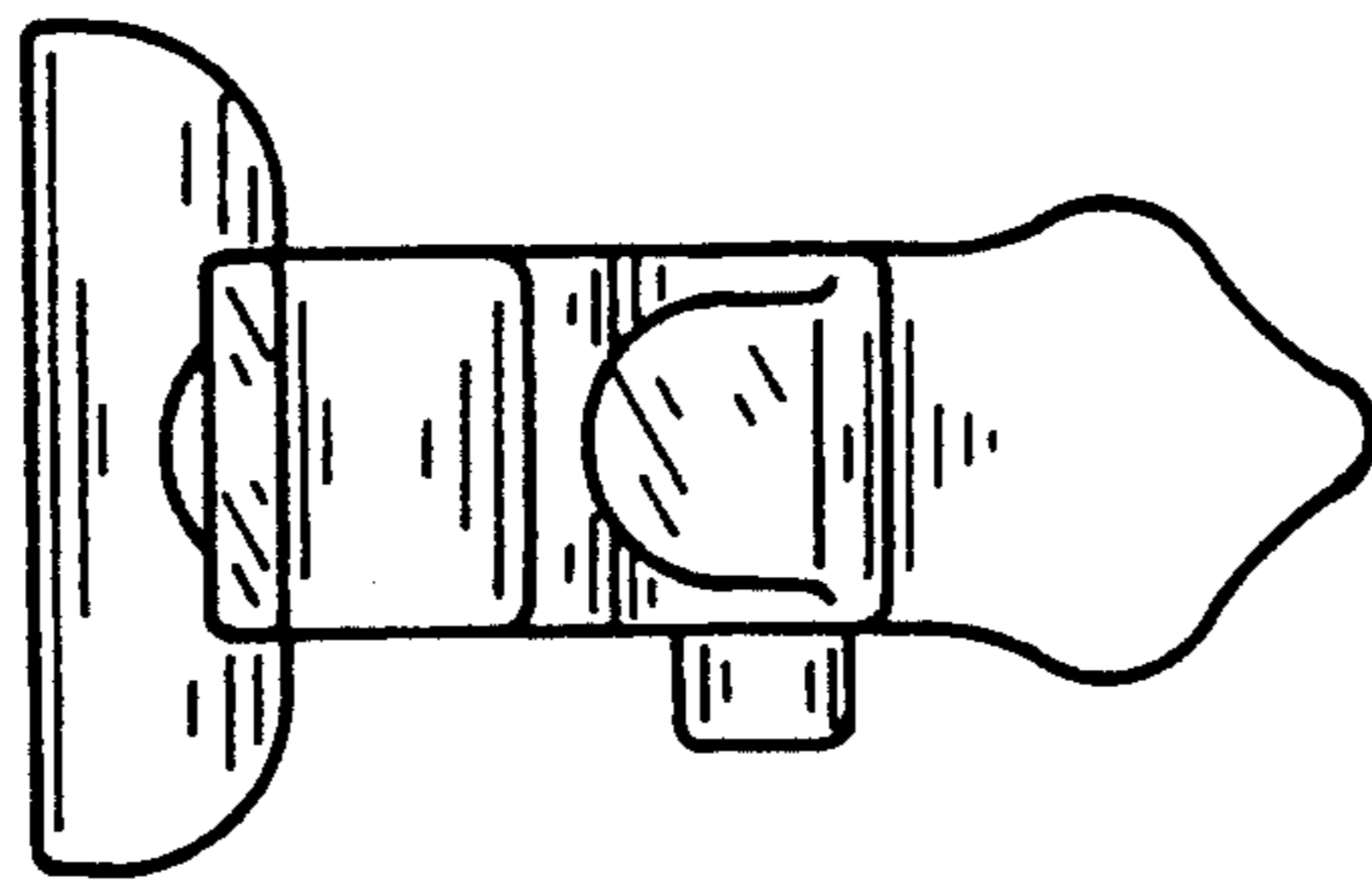


FIG. 3

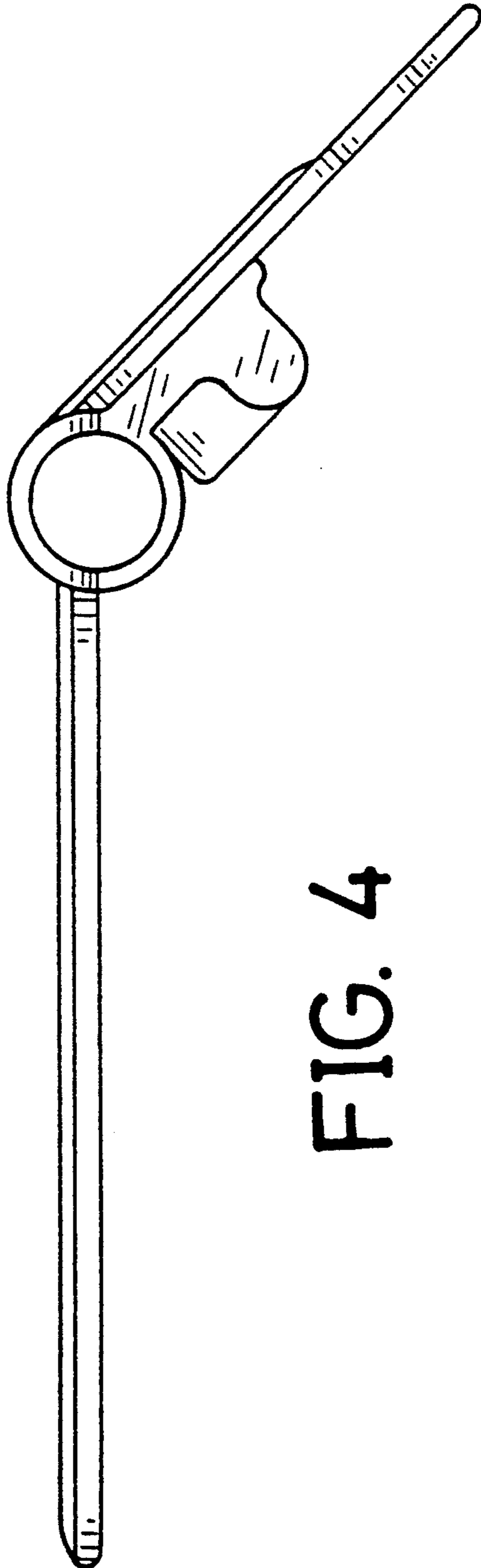


FIG. 4

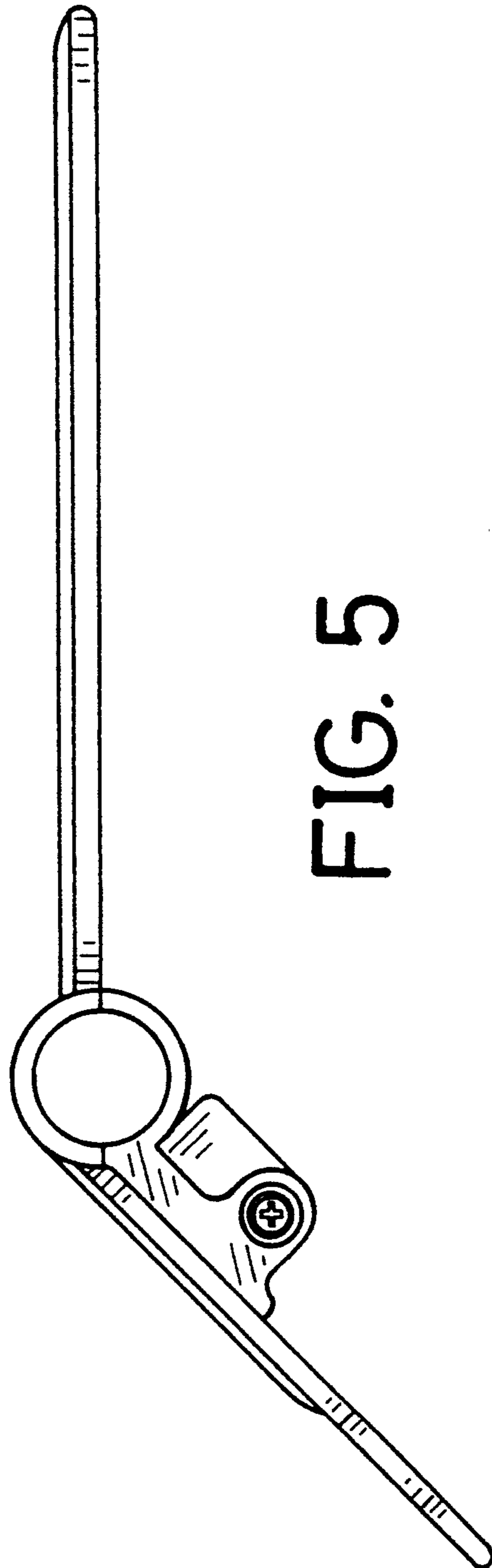


FIG. 5

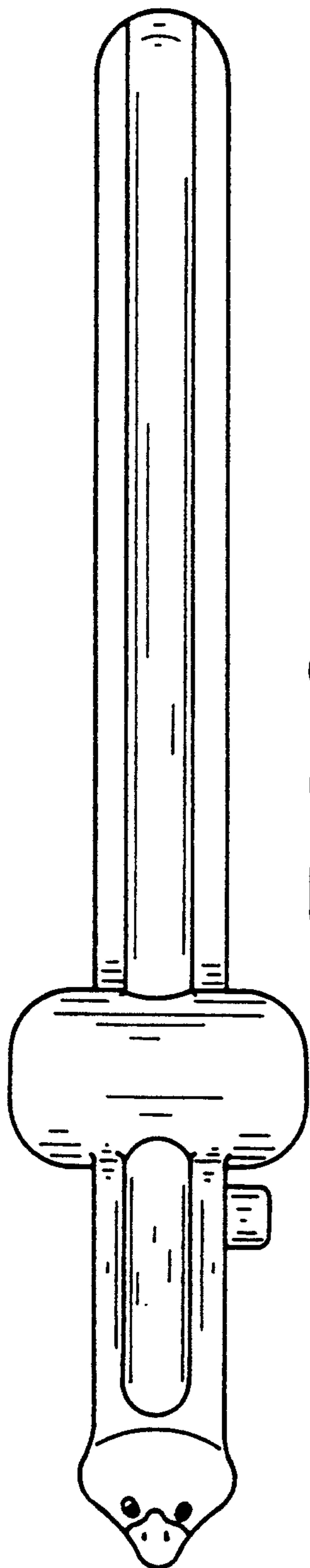


FIG. 6

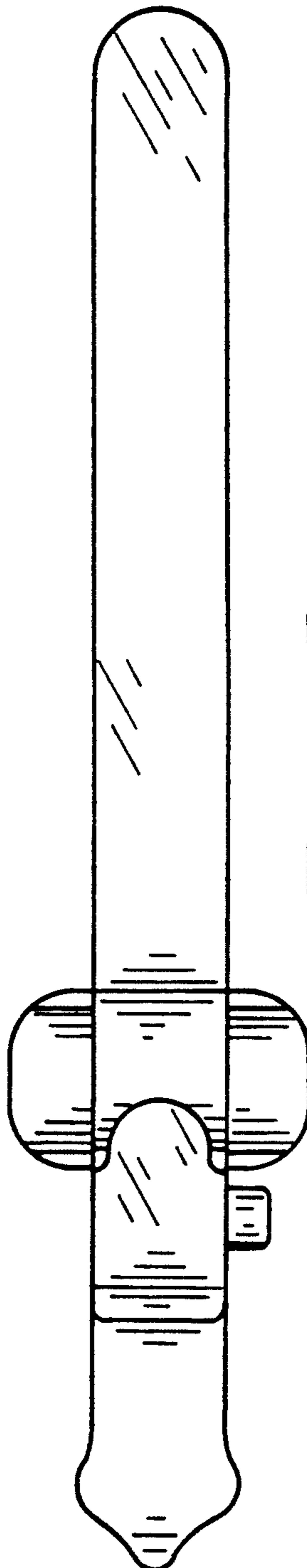


FIG. 7

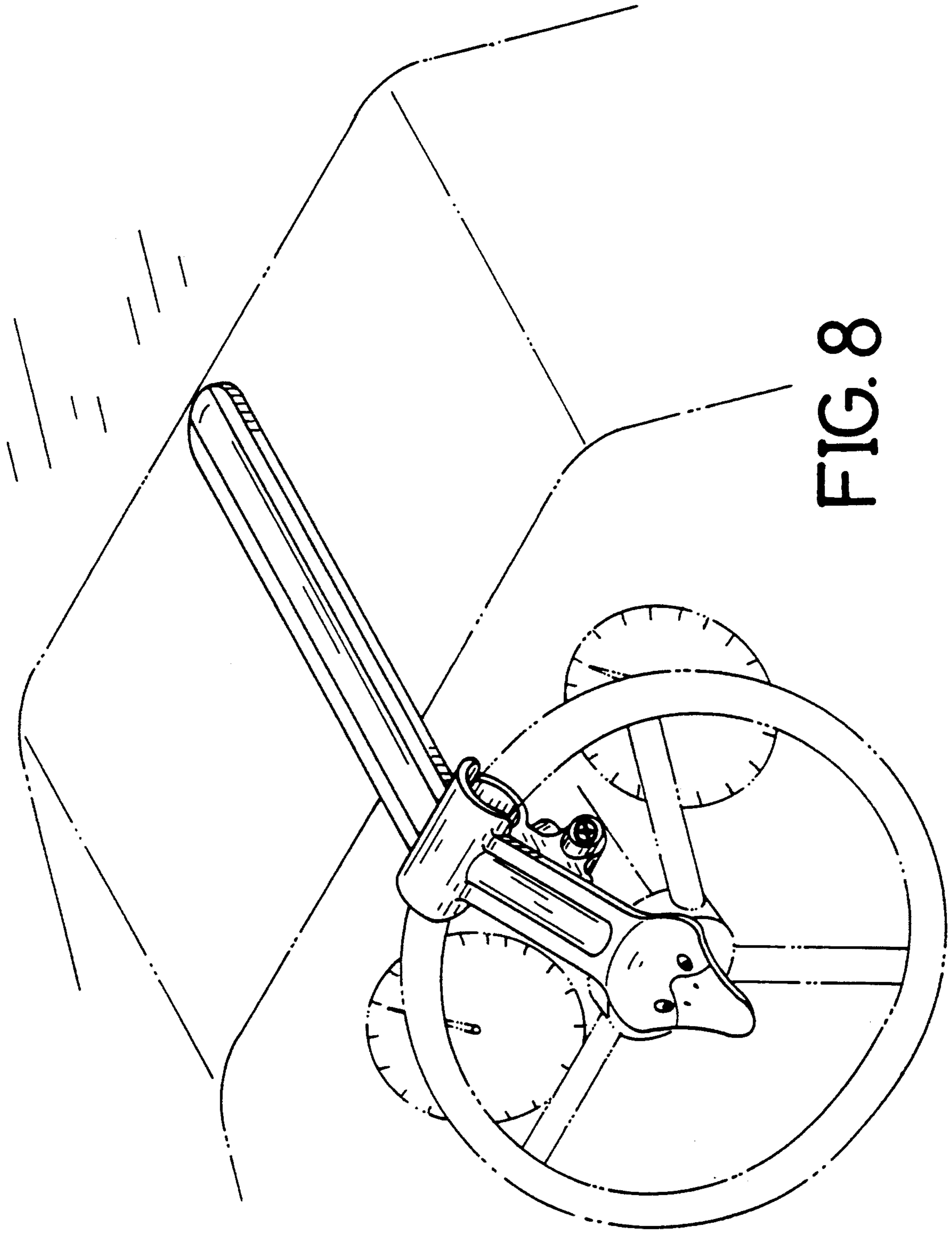


FIG. 8