



US00D348202S

United States Patent [19]

[11] Patent Number: Des. 348,202

Booth

[45] Date of Patent: ** Jun. 28, 1994

[54] COMBINATION DOOR LOCK AND JAMB ASSEMBLY

[76] Inventor: **Raymond Booth**, 1 Sonya Close, Penrith, New South Wales 2750, Australia

[**] Term: **14 Years**

[21] Appl. No.: **679,340**

[22] Filed: **Apr. 2, 1991**

[52] U.S. Cl. **D8/330**

[58] Field of Search **D8/330-331, D8/343, 344; 292/DIG. 17, 163, 169.19, 177**

[56] References Cited

U.S. PATENT DOCUMENTS

D. 302,937	8/1989	Briggs	D8/343 X
3,815,945	6/1974	Lamphere	D8/344 X
4,550,939	11/1985	Babb, Jr. et al.	D8/344 X
4,629,231	12/1986	Bonchard	D8/344 X
4,751,834	6/1988	Beck	D8/343 X
5,076,626	12/1991	Tiddy et al.	292/1 X

OTHER PUBLICATIONS

Architectural Graphic Standards (1980) p. 421 Mortise Cylinder Lock.

Primary Examiner—Brian N. Vinson

Attorney, Agent, or Firm—Hill, Steadman & Simpson

[57] CLAIM

The ornamental design for a combination door lock and jamb assembly, as shown and described.

DESCRIPTION

FIG. 1 is a top, front, and left side perspective view of a combination door lock and jamb assembly showing my new design;

FIG. 2 is a top, front, and left side perspective view thereof, shown in an opened condition;

FIG. 3 is a bottom, rear, and right side perspective view of the jamb plate portion thereof;

FIG. 4 is an enlarged bottom plan view of the jamb plate portion thereof;

FIG. 5 is a top, rear, and right side perspective view of the lock portion thereof;

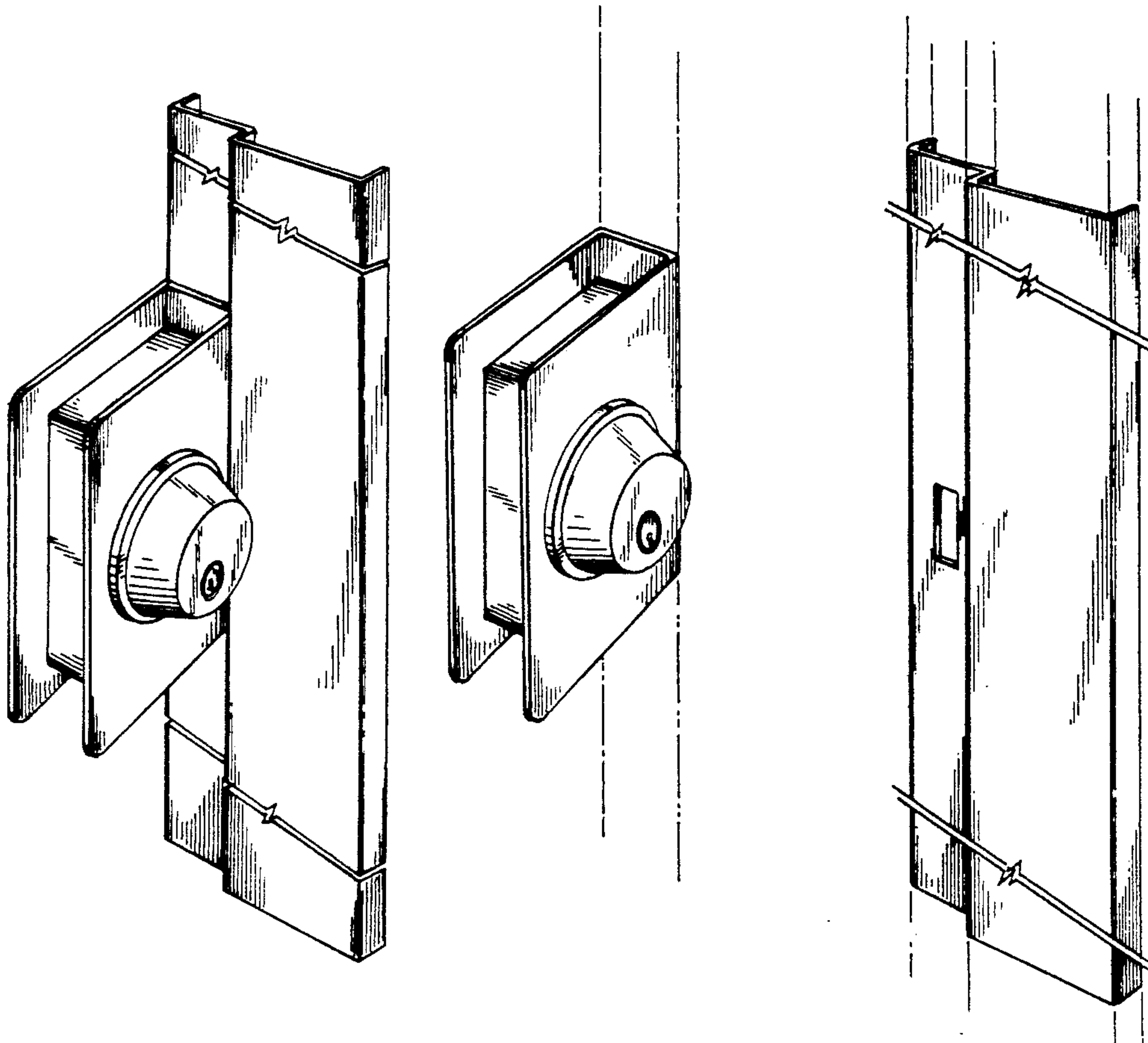
FIG. 6 is a front elevational view of the lock portion thereof;

FIG. 7 is a right side elevational view of the lock portion thereof;

FIG. 8 is a top plan view of the lock portion thereof, the bottom being a mirror image of that shown; and,

FIG. 9 is a left side elevational view of the lock portion thereof.

The lock portion is omitted in FIGS. 3 and 4, and the jamb plate portion omitted in FIG. 5-9 for convenience of illustration. The jamb plate is shown broken-away in the views to indicate indeterminate length.



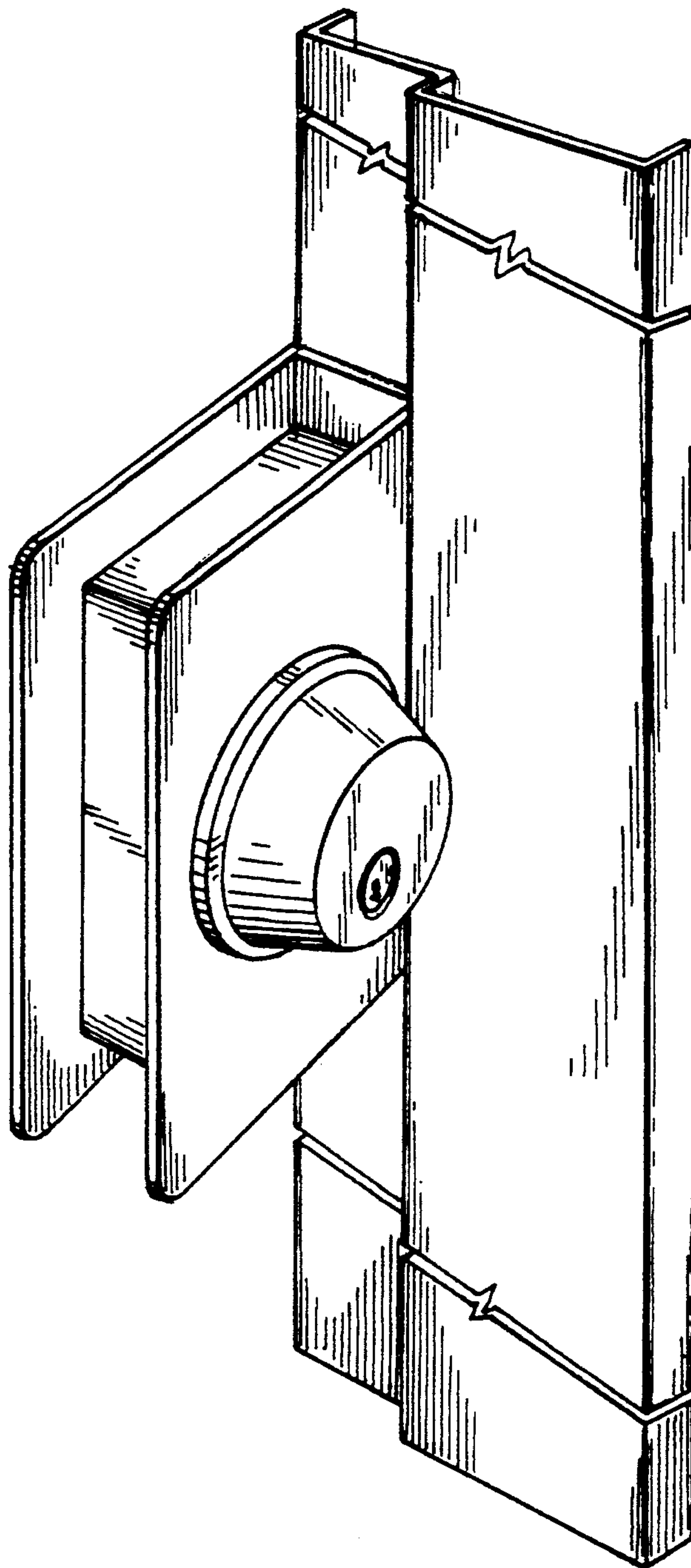


FIG. 1

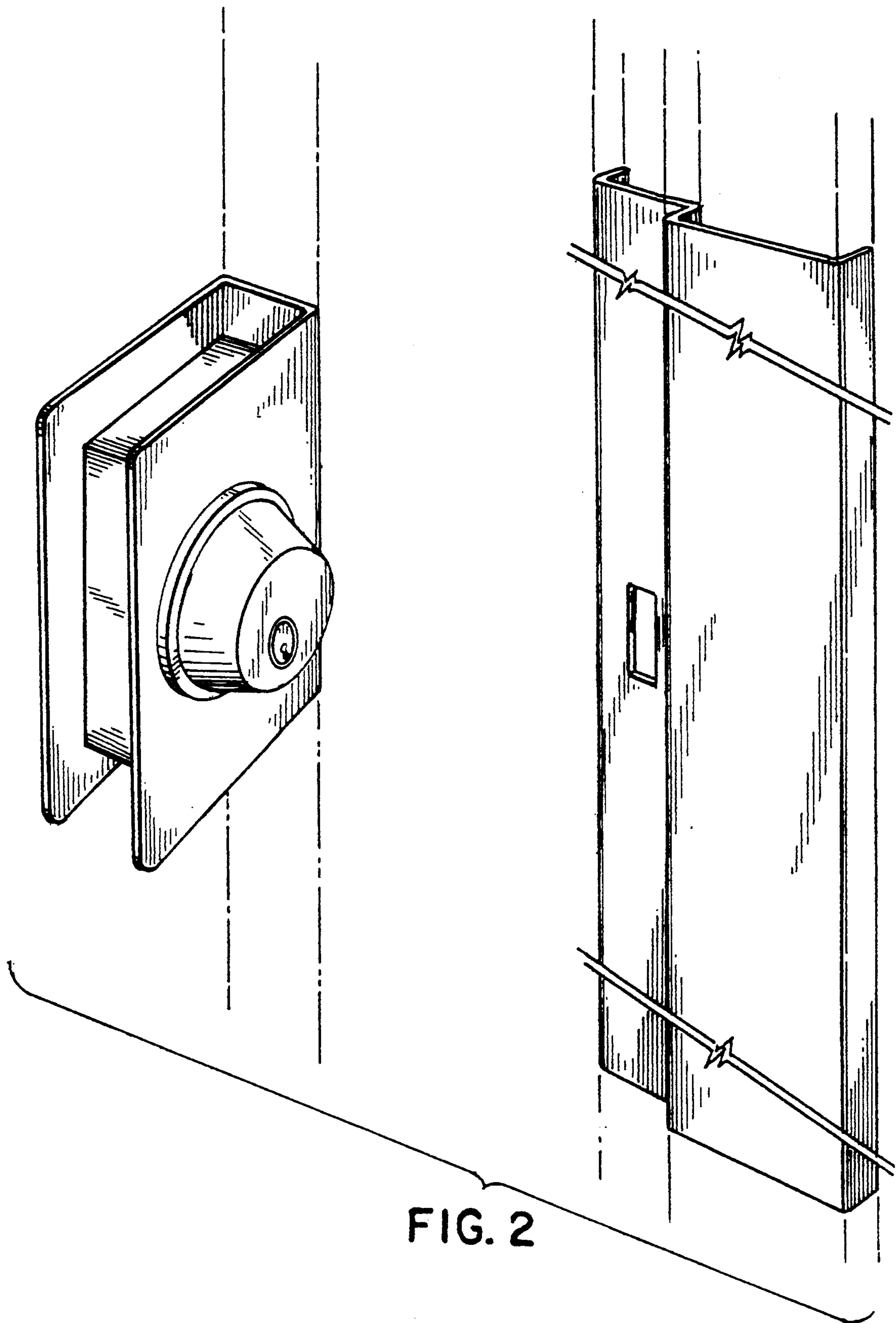


FIG. 2

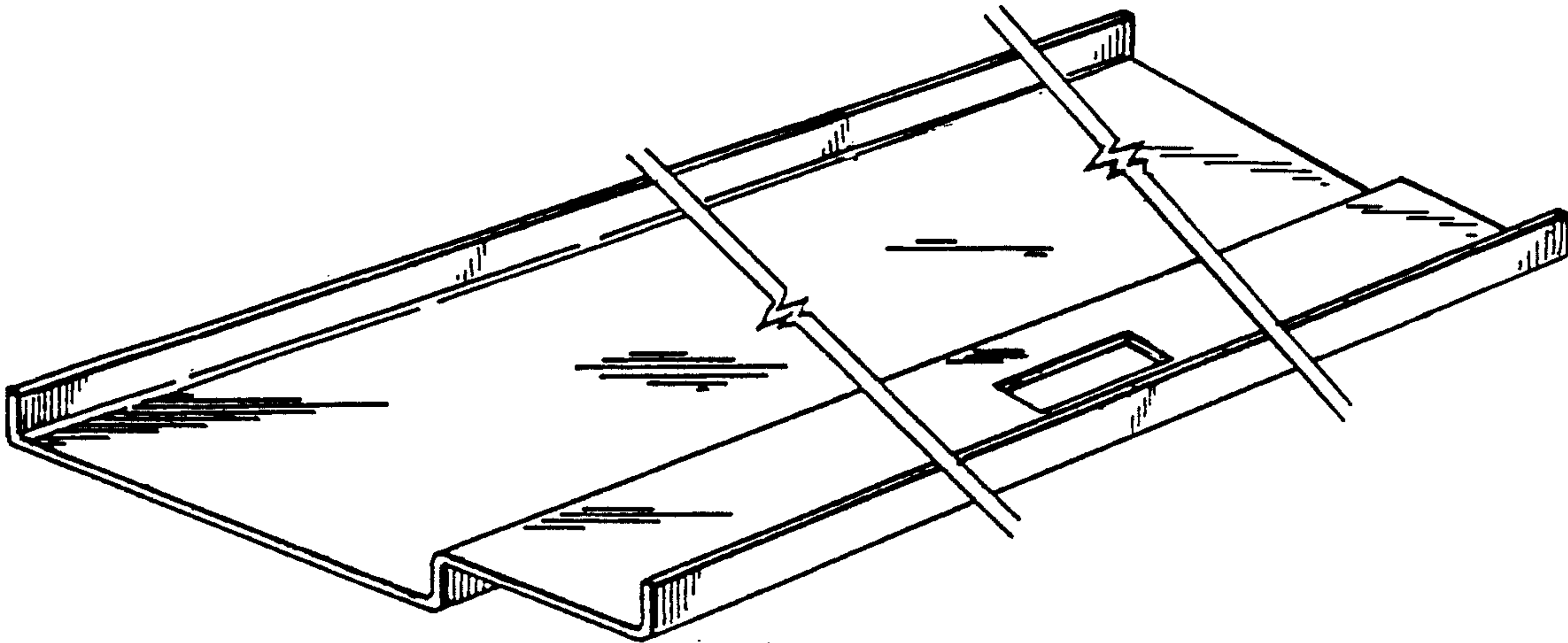


FIG. 3



FIG. 4

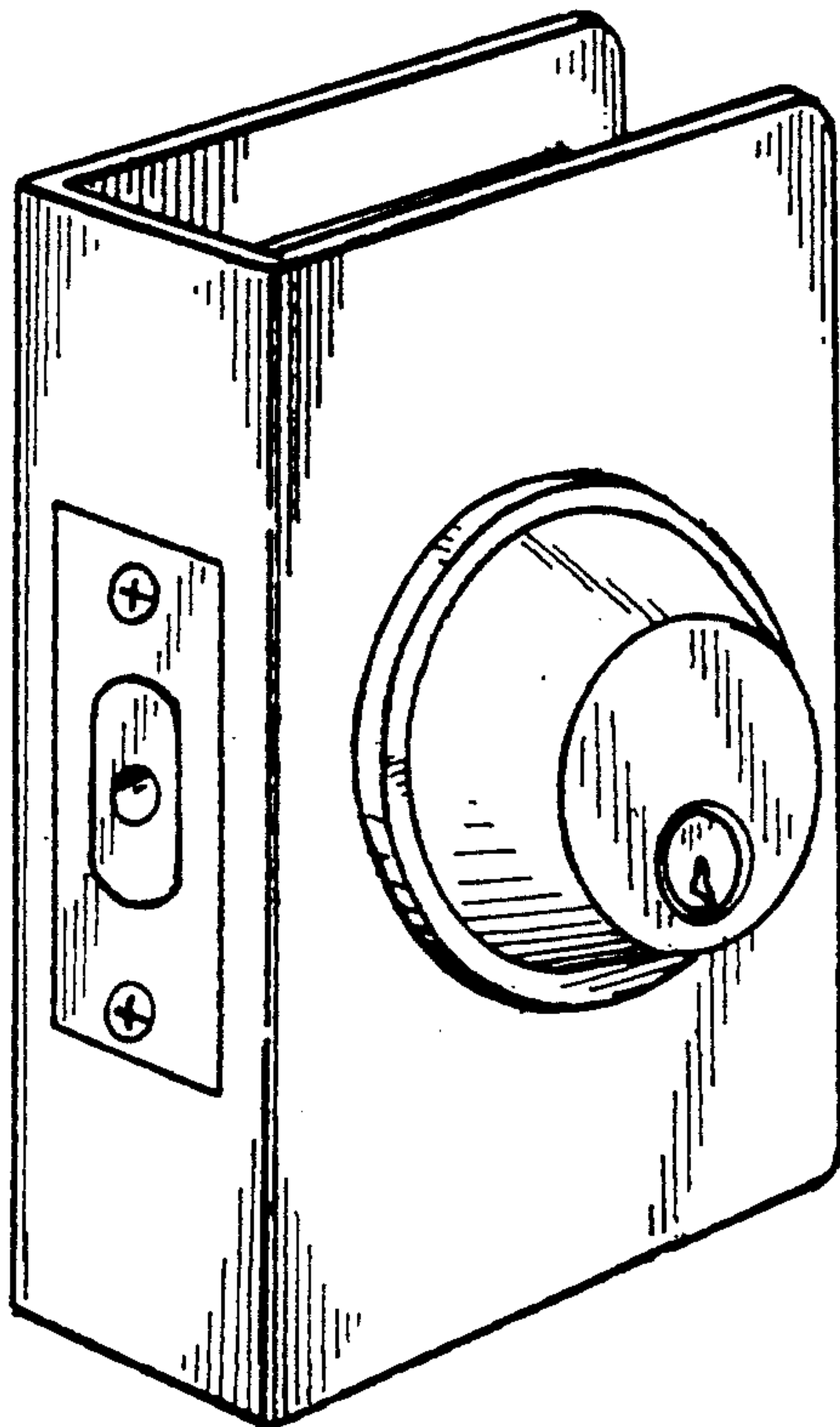


FIG. 5

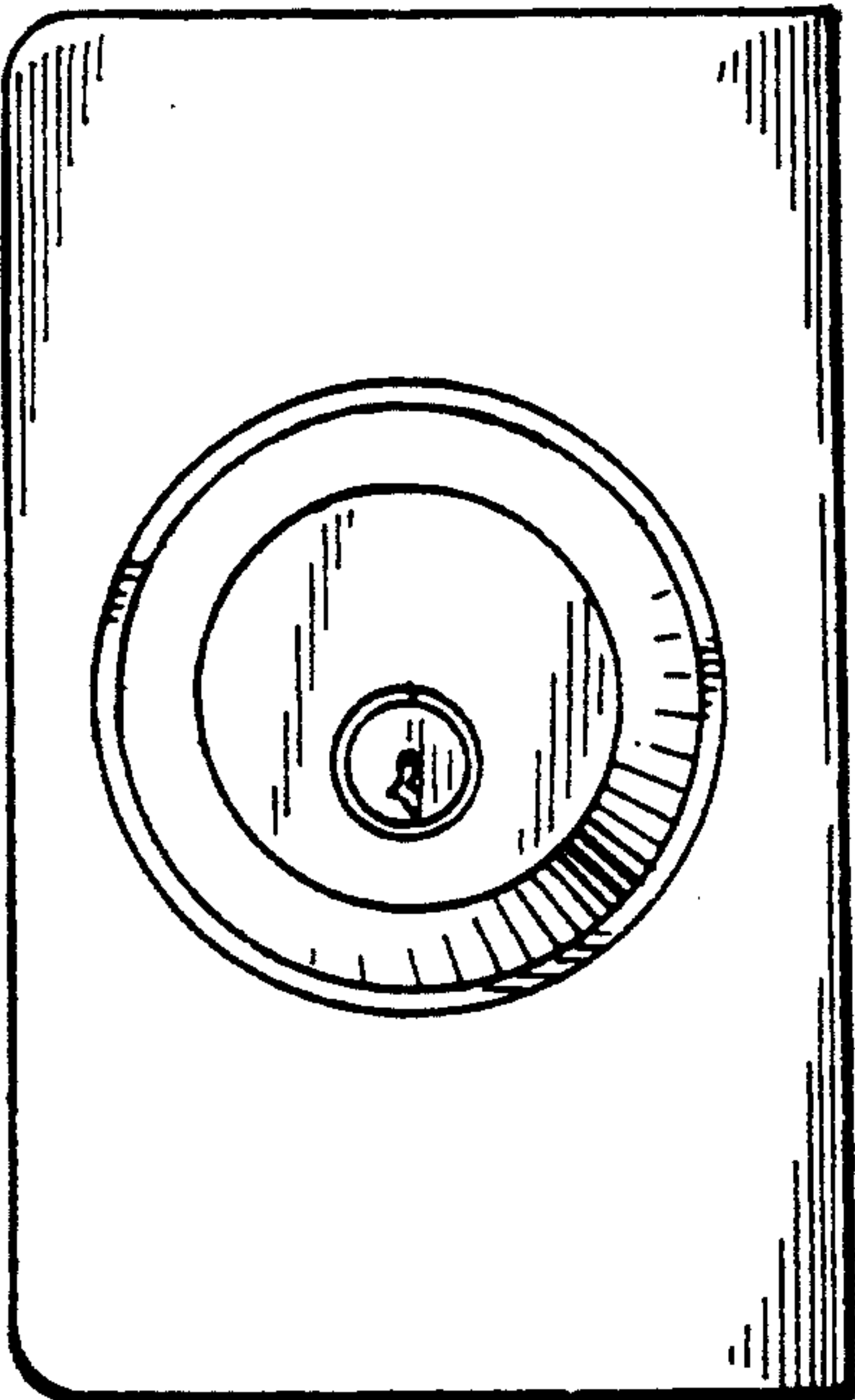


FIG. 6

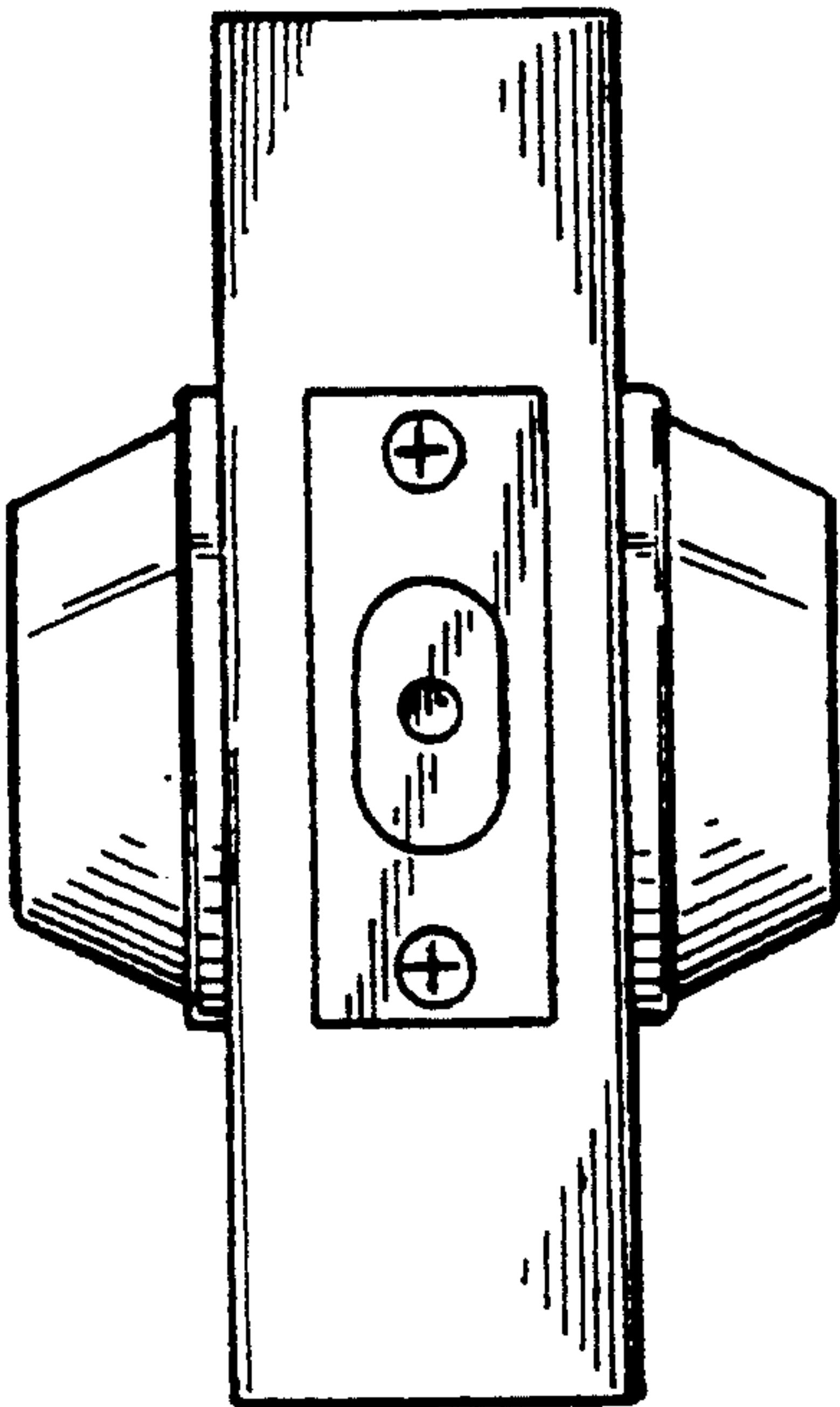


FIG. 7

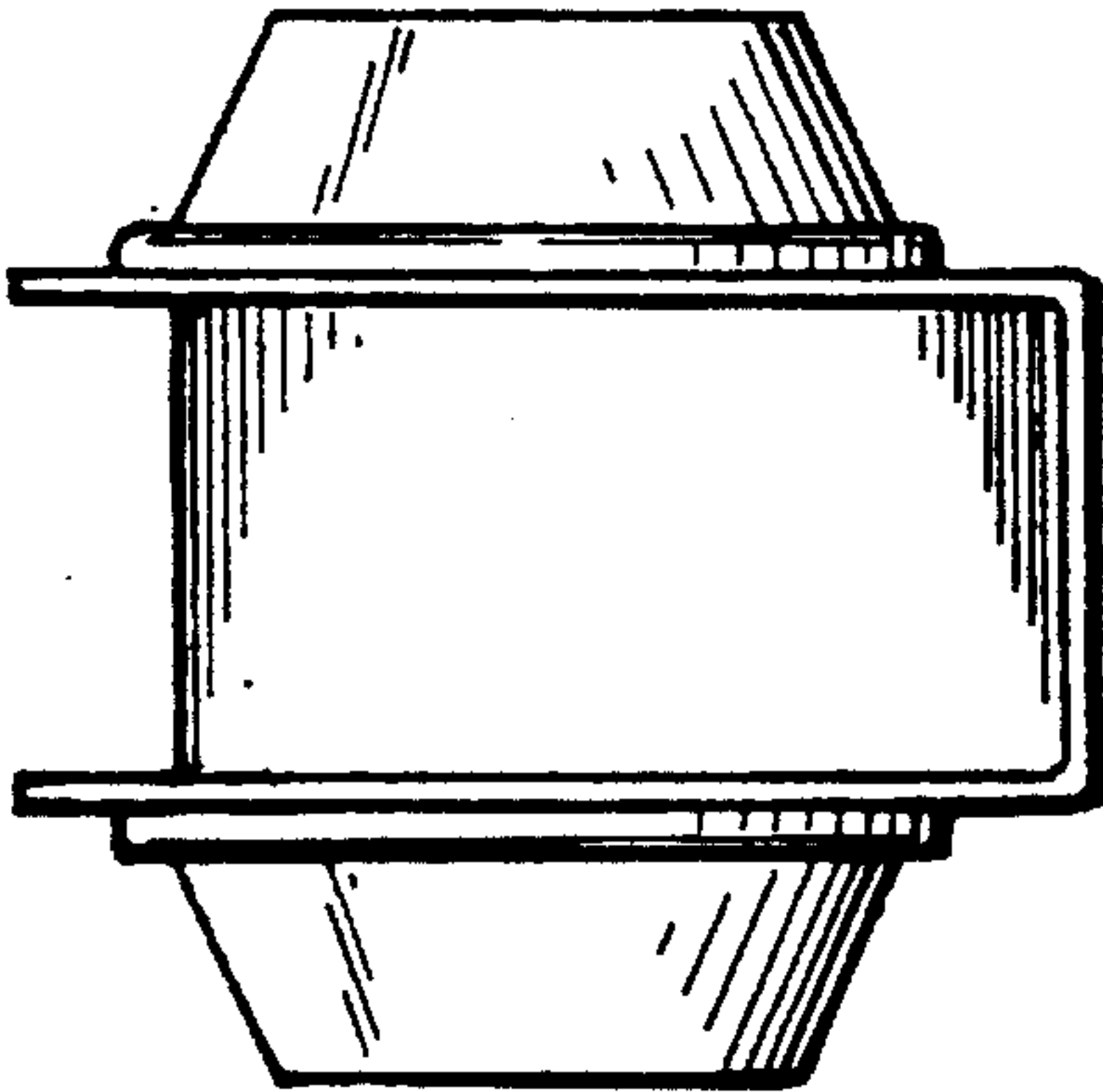


FIG. 8

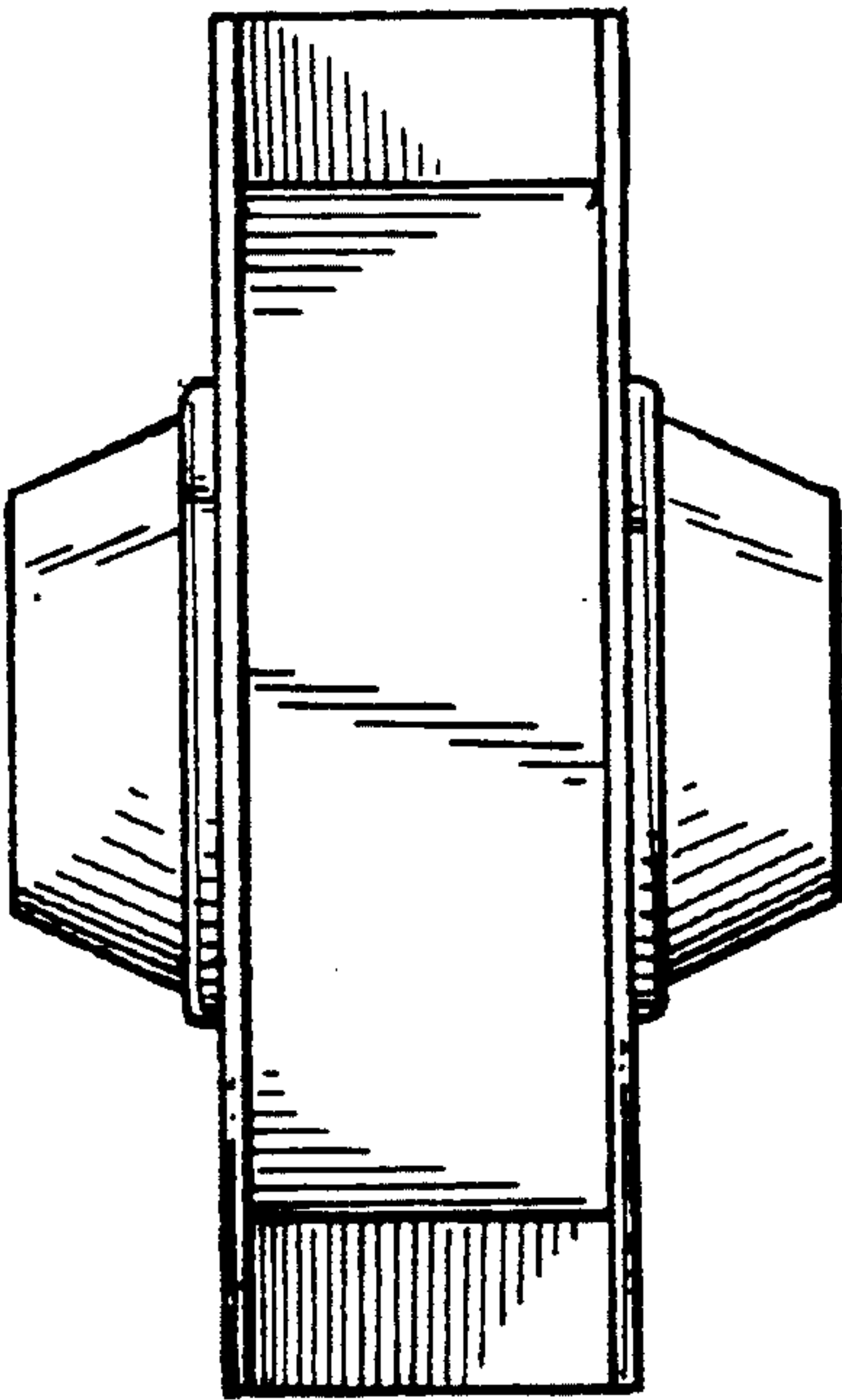


FIG. 9