



US00D348192S

# United States Patent [19] Griffin

[11] Patent Number: **Des. 348,192**

[45] Date of Patent: **\*\* Jun. 28, 1994**

[54] CHAIN SAW

[75] Inventor: **John Griffin, Phoenix, Ariz.**

[73] Assignee: **McCulloch Corporation, Tucson, Ariz.**

[\*\*] Term: **14 Years**

[21] Appl. No.: **6,597**

[22] Filed: **Apr. 2, 1993**

[52] U.S. Cl. .... **D8/65**

[58] Field of Search ..... **D8/61, 65, 69; 30/381, 30/382, 383, 386, 384; D15/1**

[56] **References Cited**

**U.S. PATENT DOCUMENTS**

D. 238,103	12/1975	Tuggle .....	D8/65
D. 256,584	8/1980	Tuggle et al. ....	D15/1
D. 295,713	5/1988	Nagashima et al. ....	D8/65
D. 302,931	8/1989	Nakajima et al. ....	D8/65
D. 303,207	9/1989	Nakajima .....	D8/65
D. 320,728	10/1991	Arvidsson .....	D8/65
D. 325,330	4/1992	Barnhill .....	D8/65
4,202,096	5/1980	Nagashima .....	30/381
4,602,656	7/1986	Nagashima et al. ....	137/590
4,654,970	4/1987	Nagashima .....	30/383
4,693,006	9/1987	Wehle .....	30/383
4,785,539	11/1988	Nagashima .....	30/381
5,029,393	7/1991	Nagashima et al. ....	30/383
5,212,886	5/1993	Tasaki .....	30/382 X

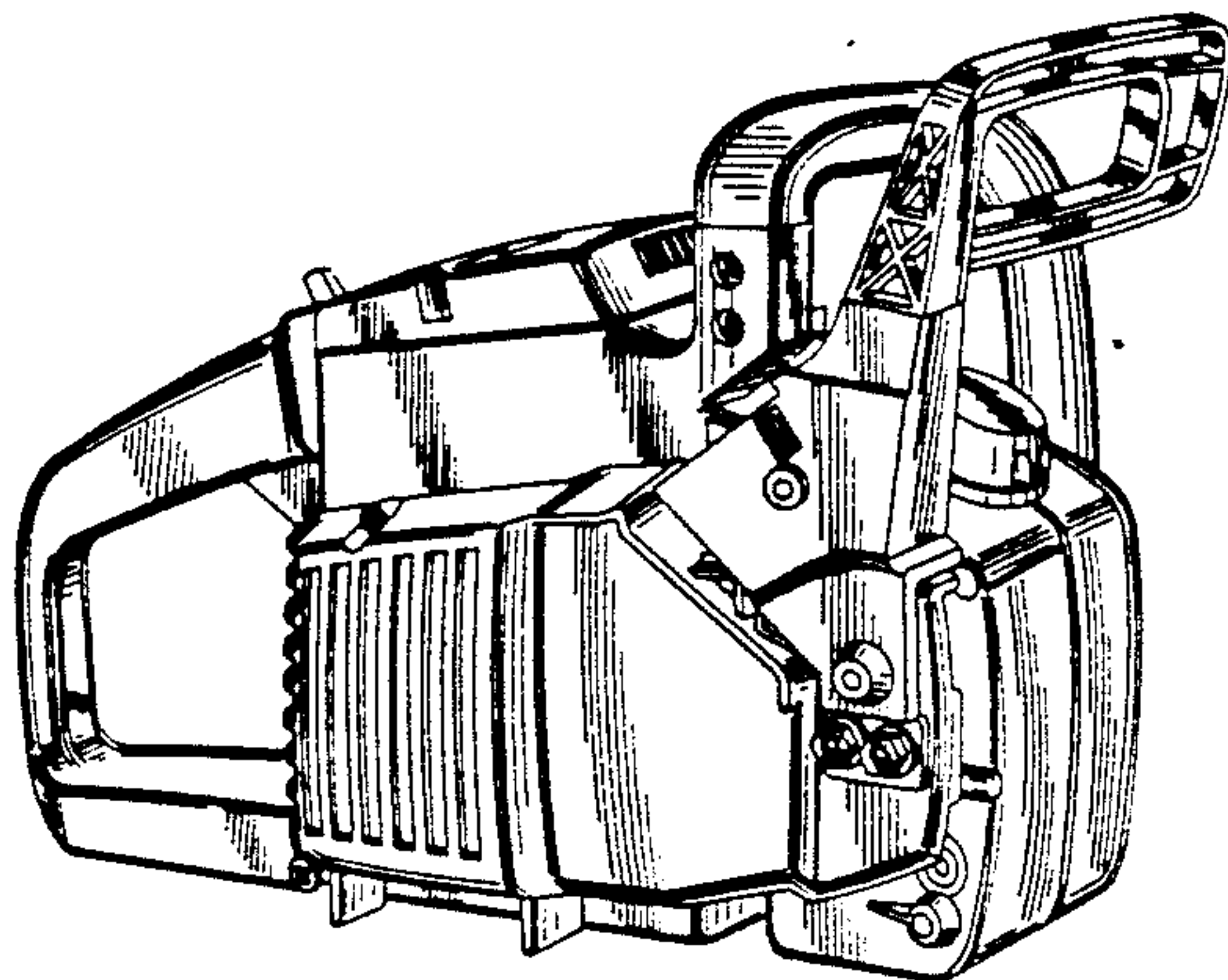
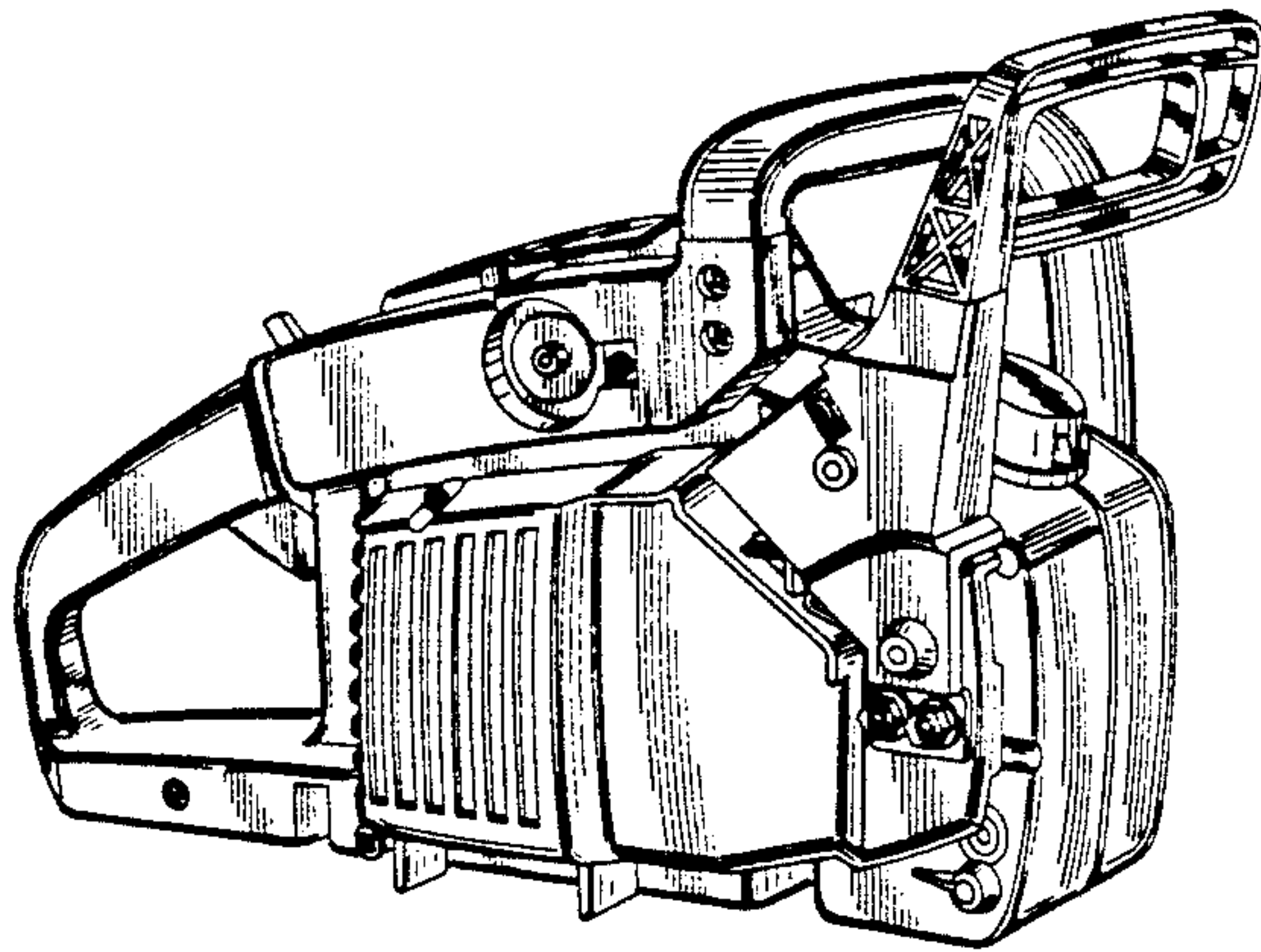
*Primary Examiner*—Alan P. Douglas  
*Assistant Examiner*—Jeffrey H. Musgrove  
*Attorney, Agent, or Firm*—Marshall, O'Toole, Gerstein, Murray & Borun

[57] **CLAIM**

The ornamental design for a chain saw, as shown and described.

**DESCRIPTION**

FIG. 1 is a right side perspective view taken from the front of a chain saw according to the present invention; FIG. 2 is a right side view thereof; FIG. 3 is a left side view thereof; FIG. 4 is a top plan view thereof; FIG. 5 is a front view thereof; FIG. 6 is a rear view thereof; FIG. 7 is a bottom elevational view thereof; FIG. 8 is a right side perspective view taken from the front of a second embodiment thereof; FIG. 9 is a right side view of a second embodiment thereof; FIG. 10 is a left side view of a second embodiment thereof; FIG. 11 is a top plan view of a second embodiment thereof; FIG. 12 is a front view of a second embodiment thereof; FIG. 13 is a rear view of a second embodiment thereof; and, FIG. 14 is a bottom elevational view of a second embodiment thereof.



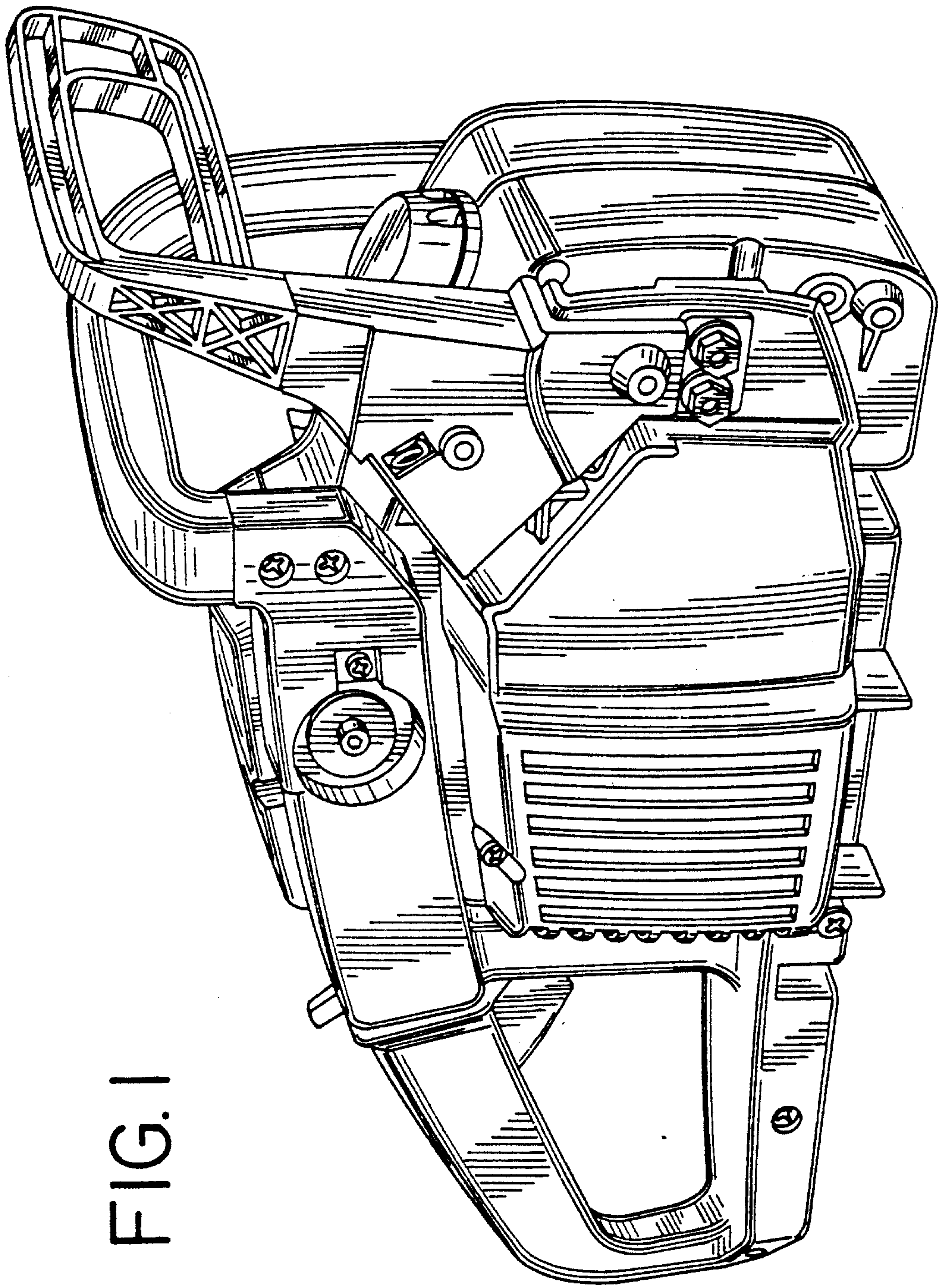


FIG. 1



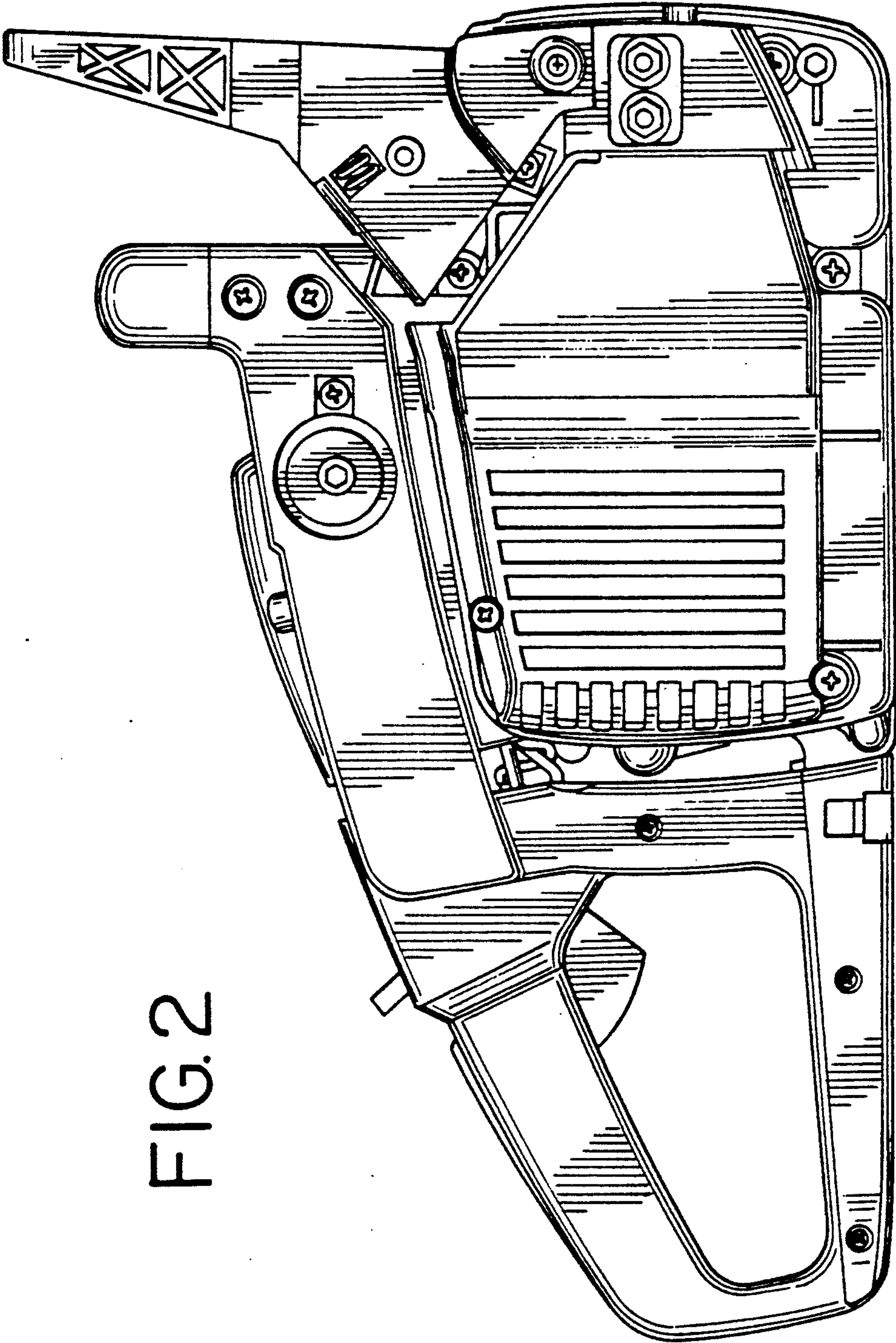
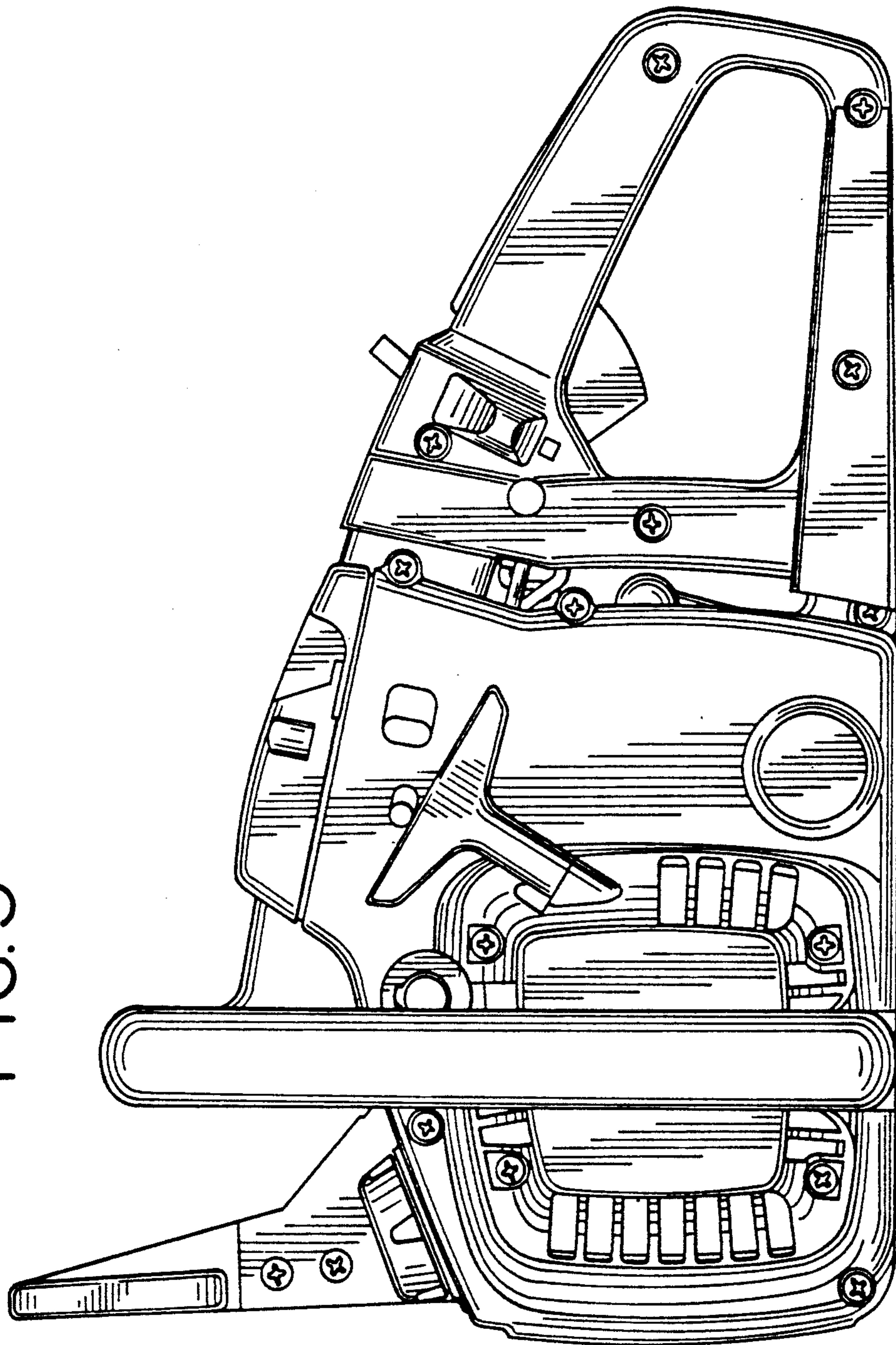


FIG. 2

FIG. 3



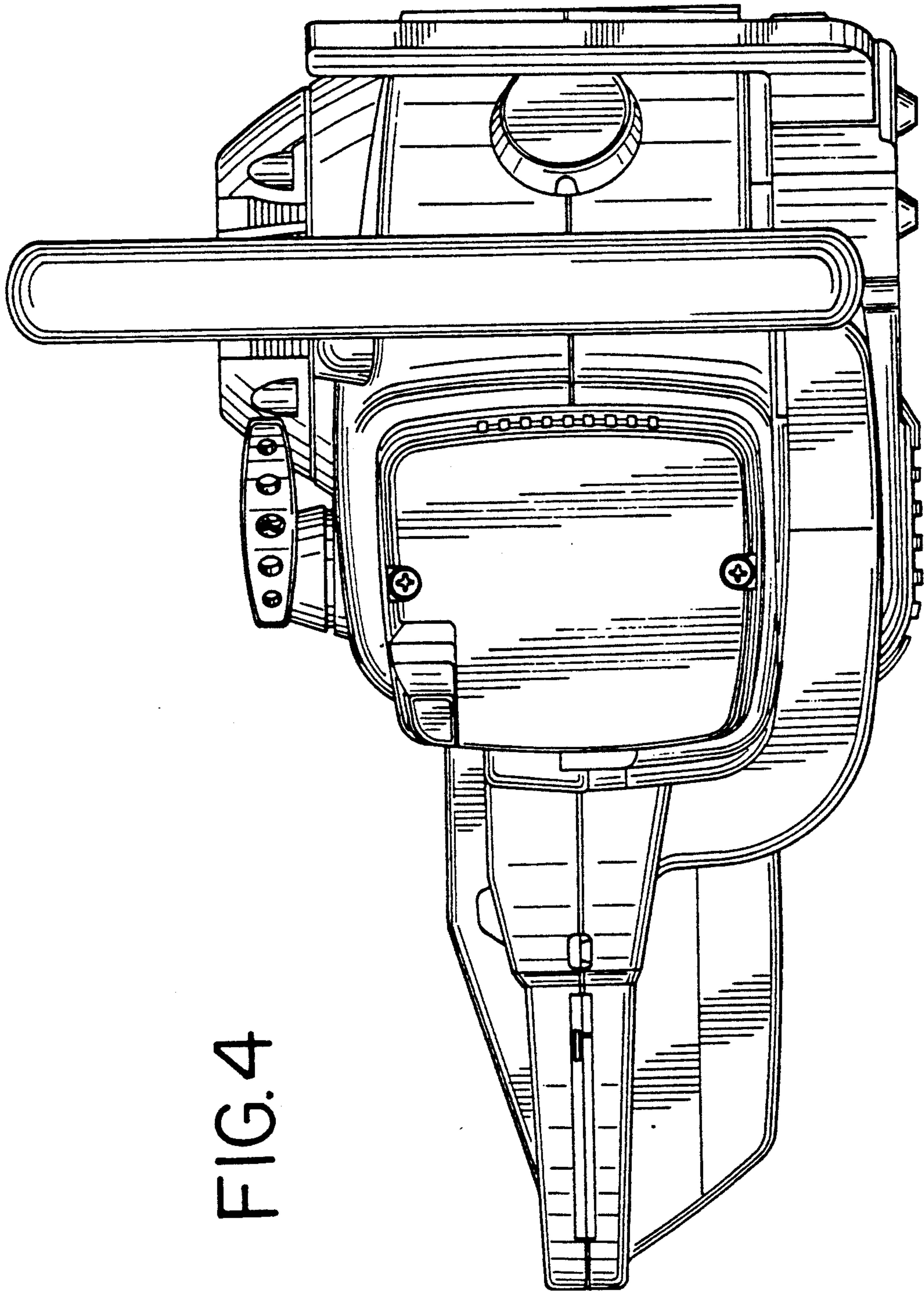


FIG. 4



FIG. 5

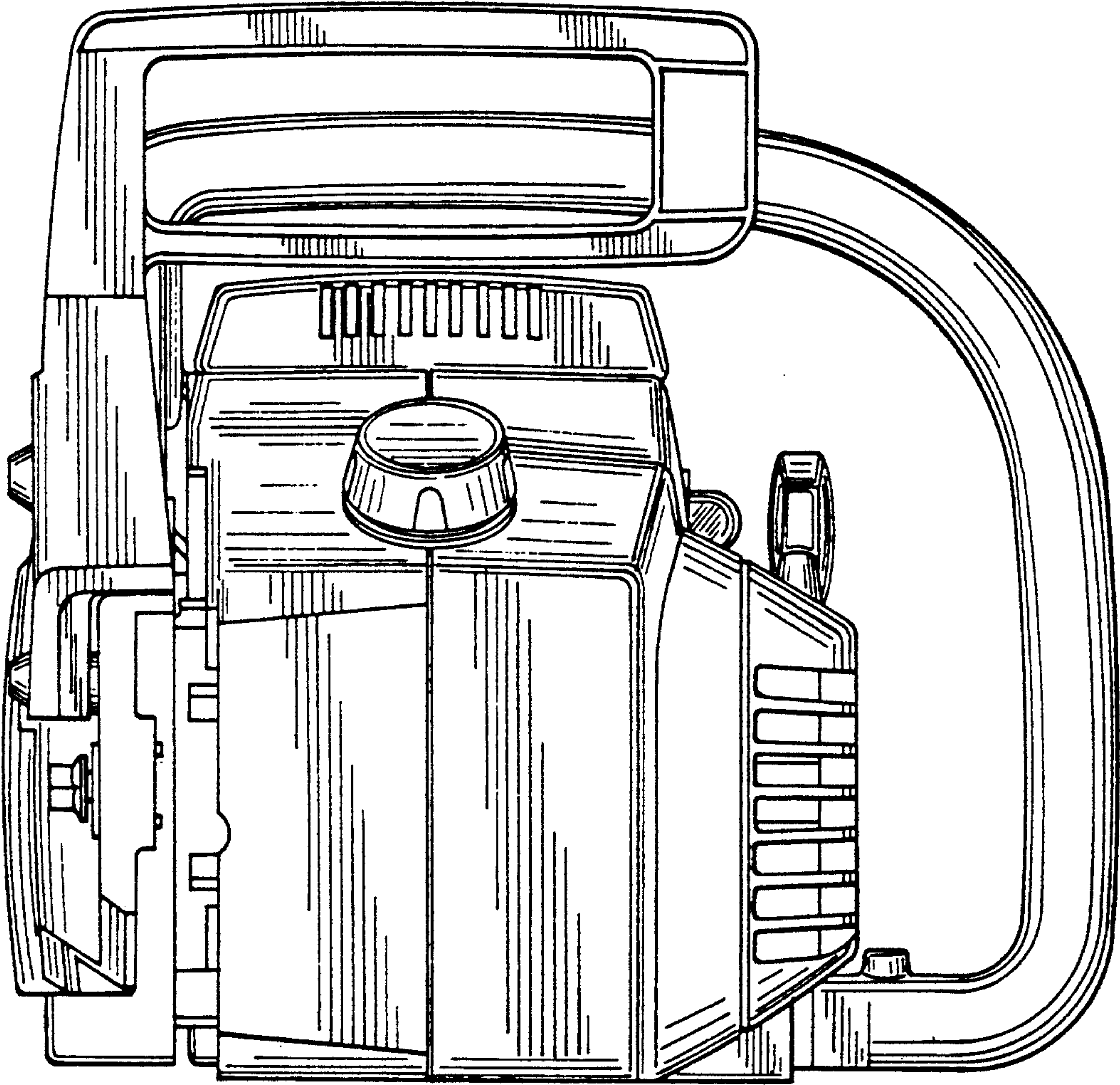
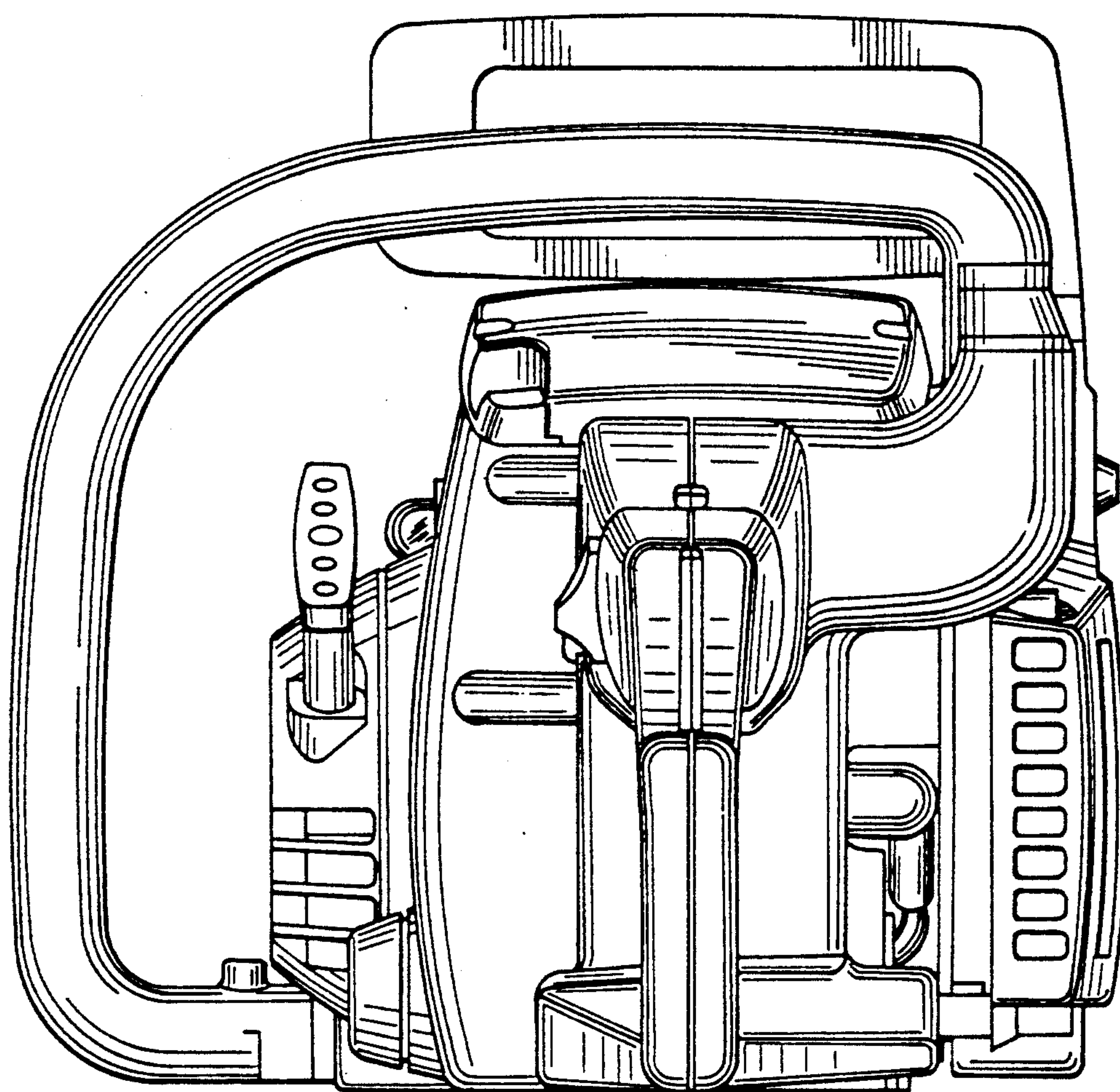


FIG. 6



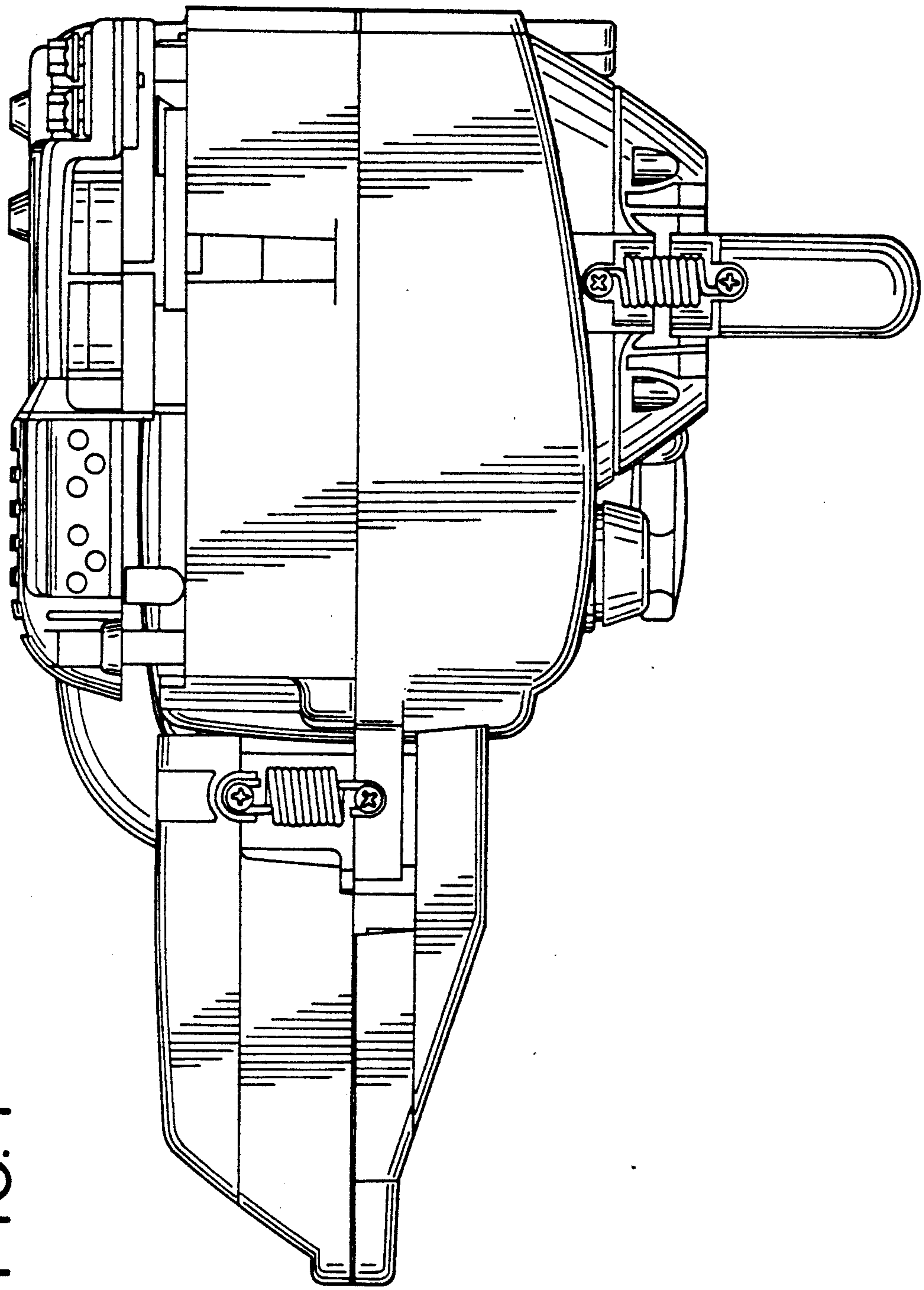


FIG. 7



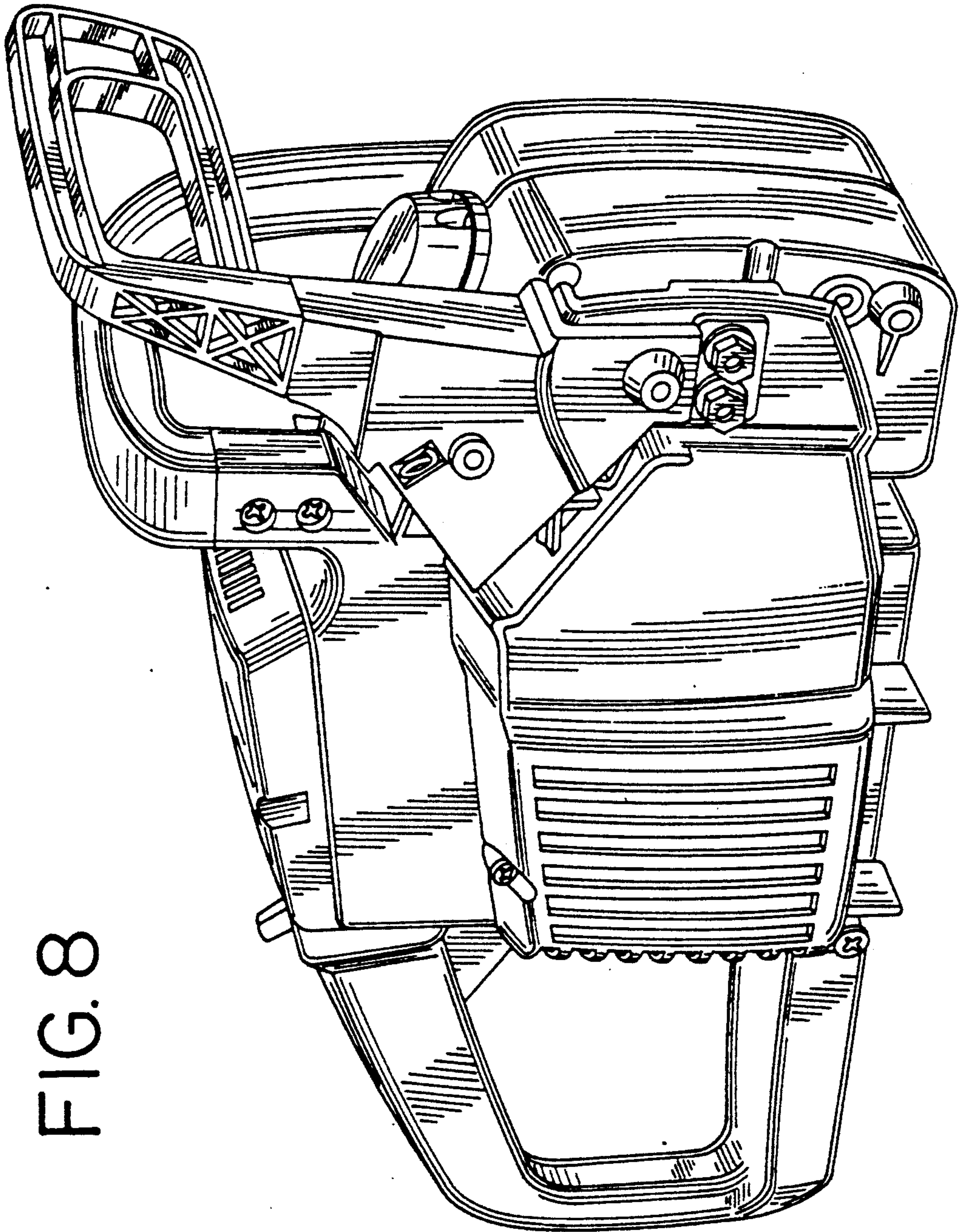


FIG. 8

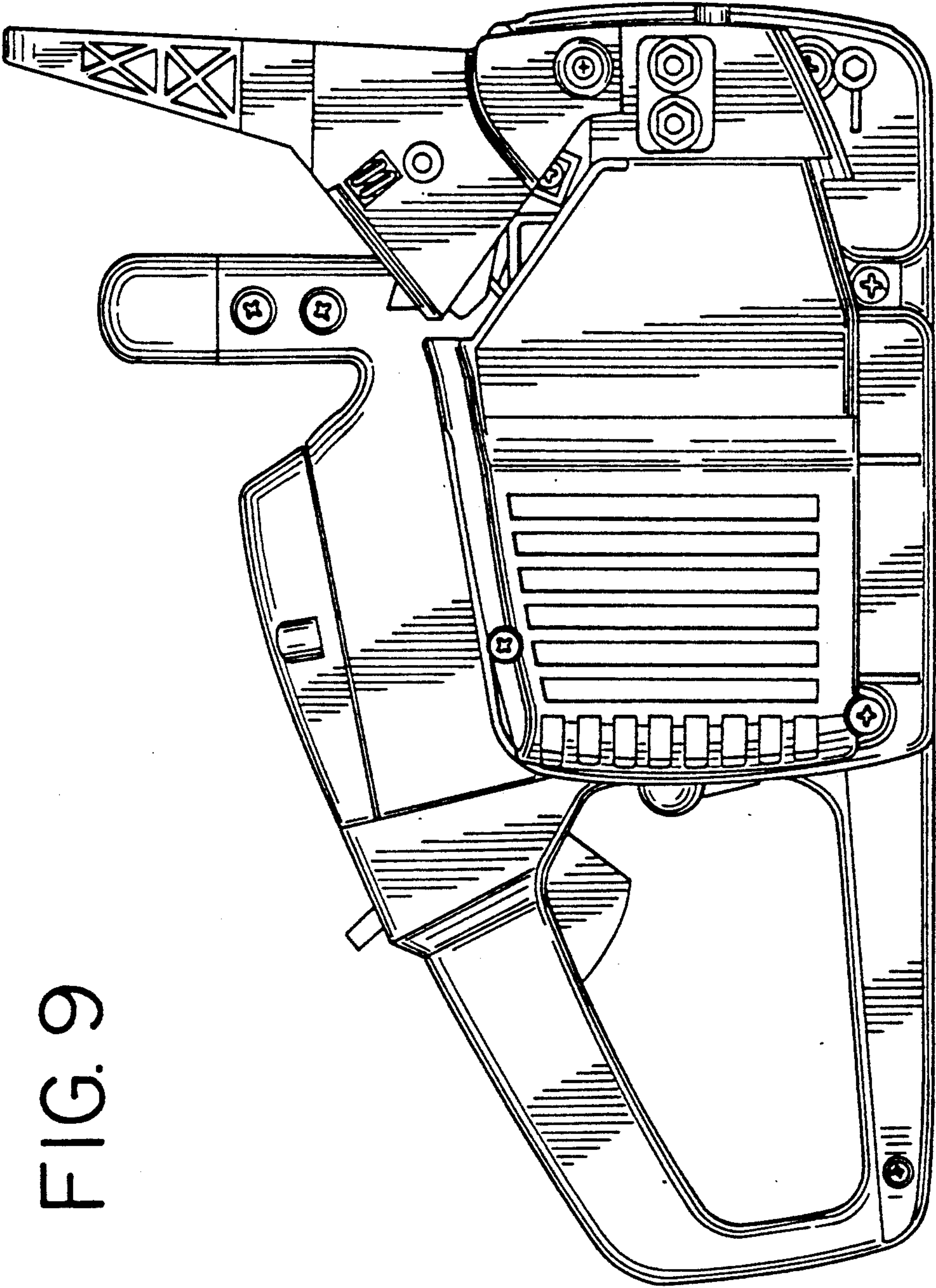
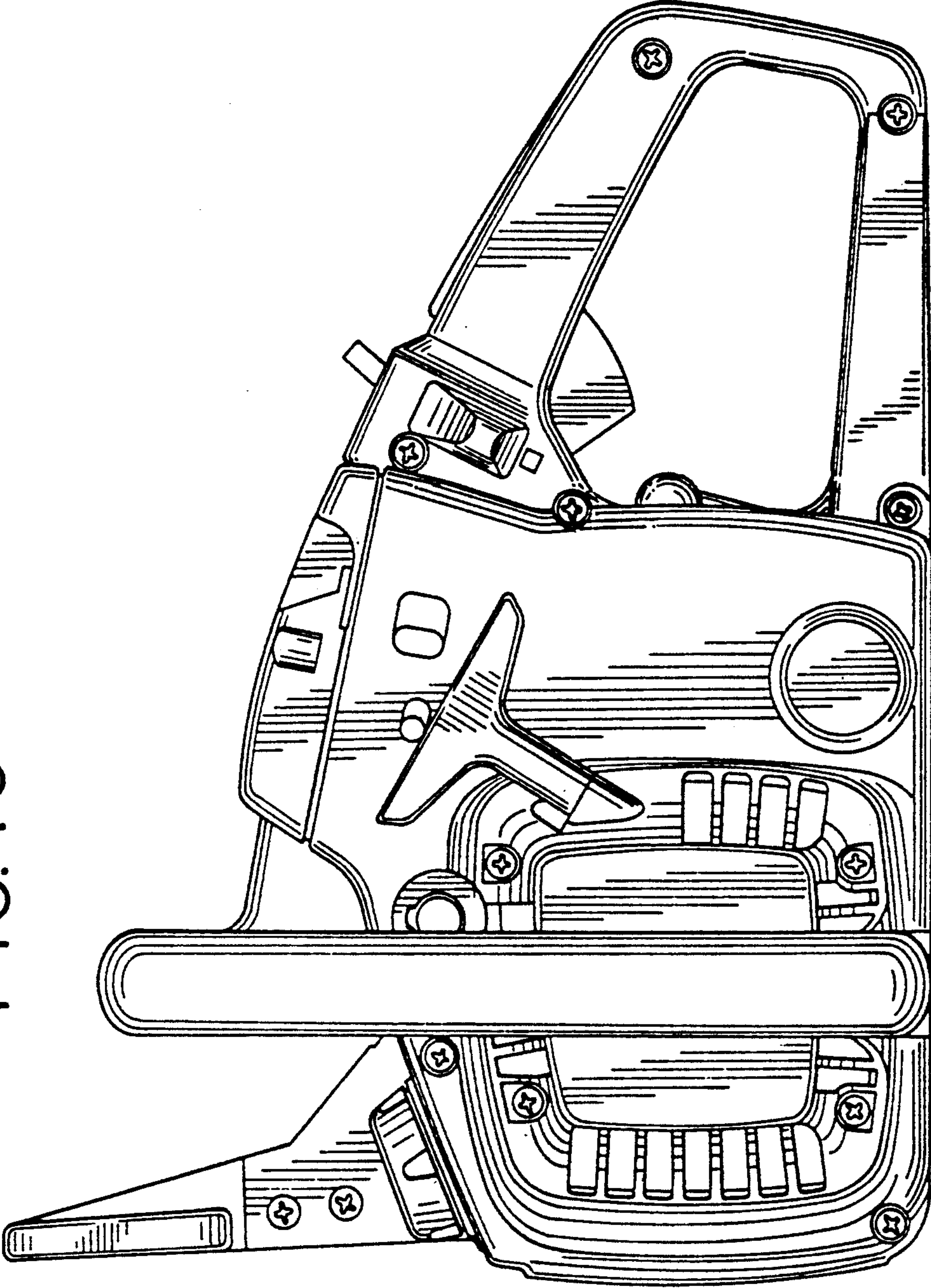


FIG. 9

FIG. 10





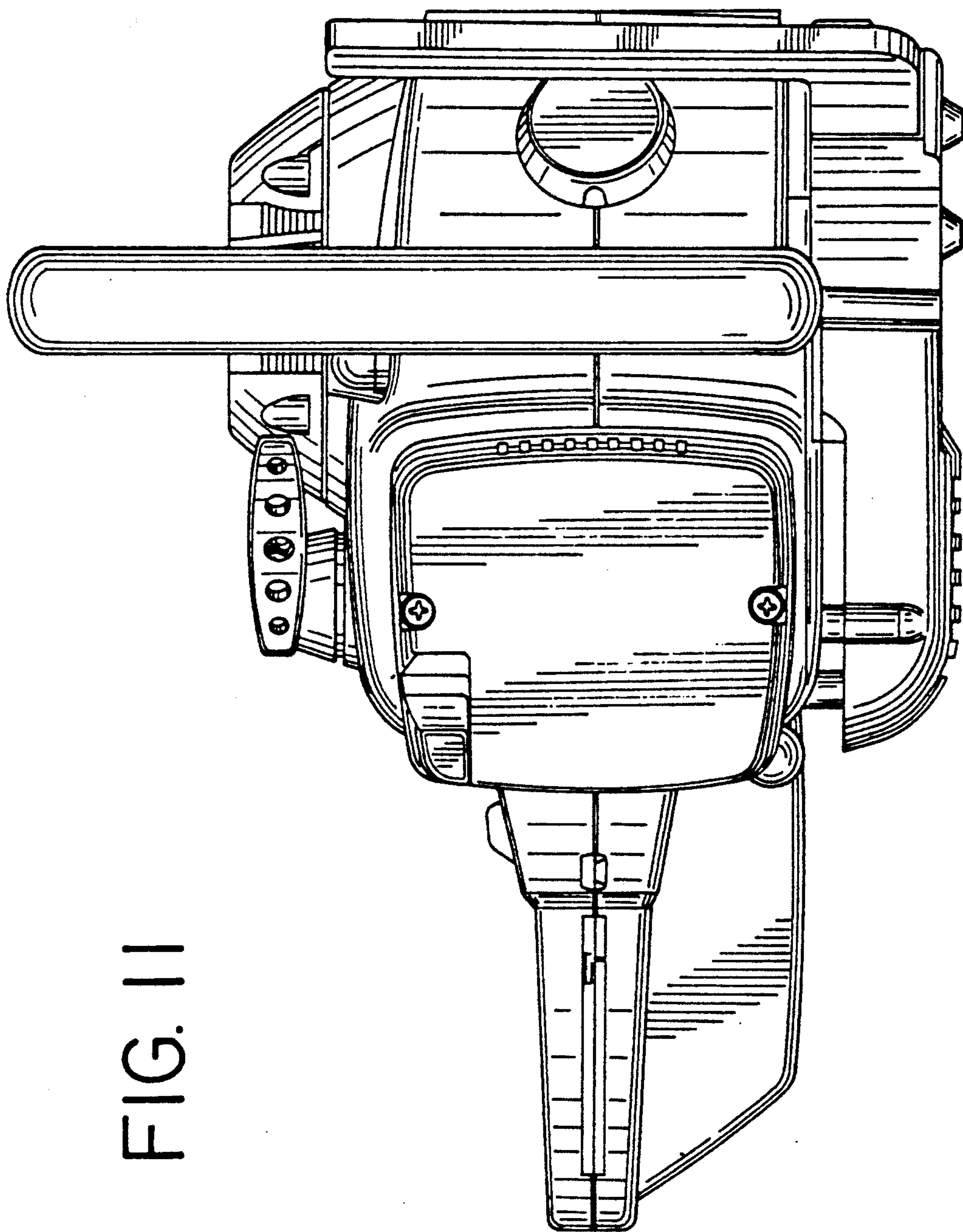


FIG. II

FIG. 12

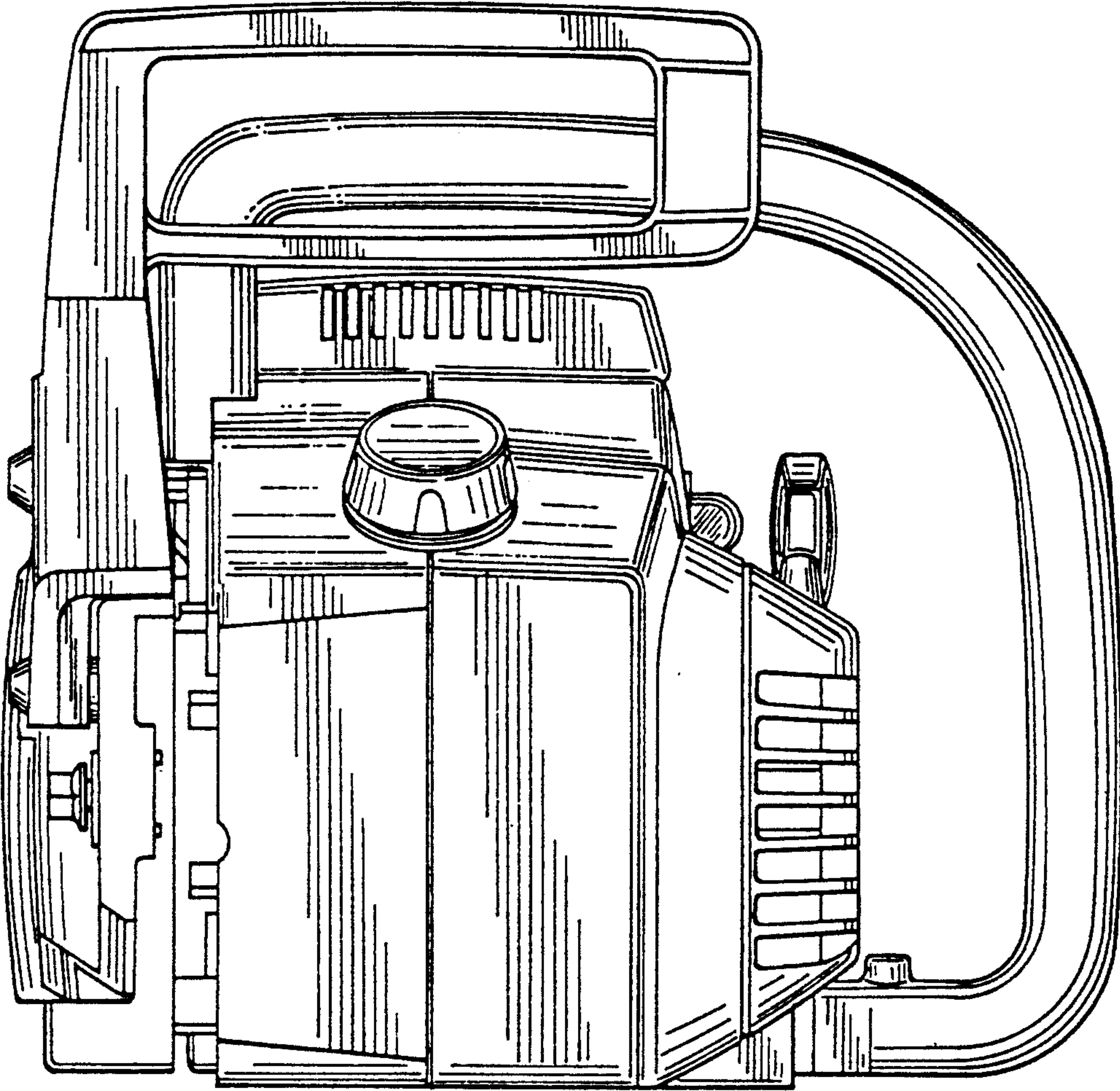
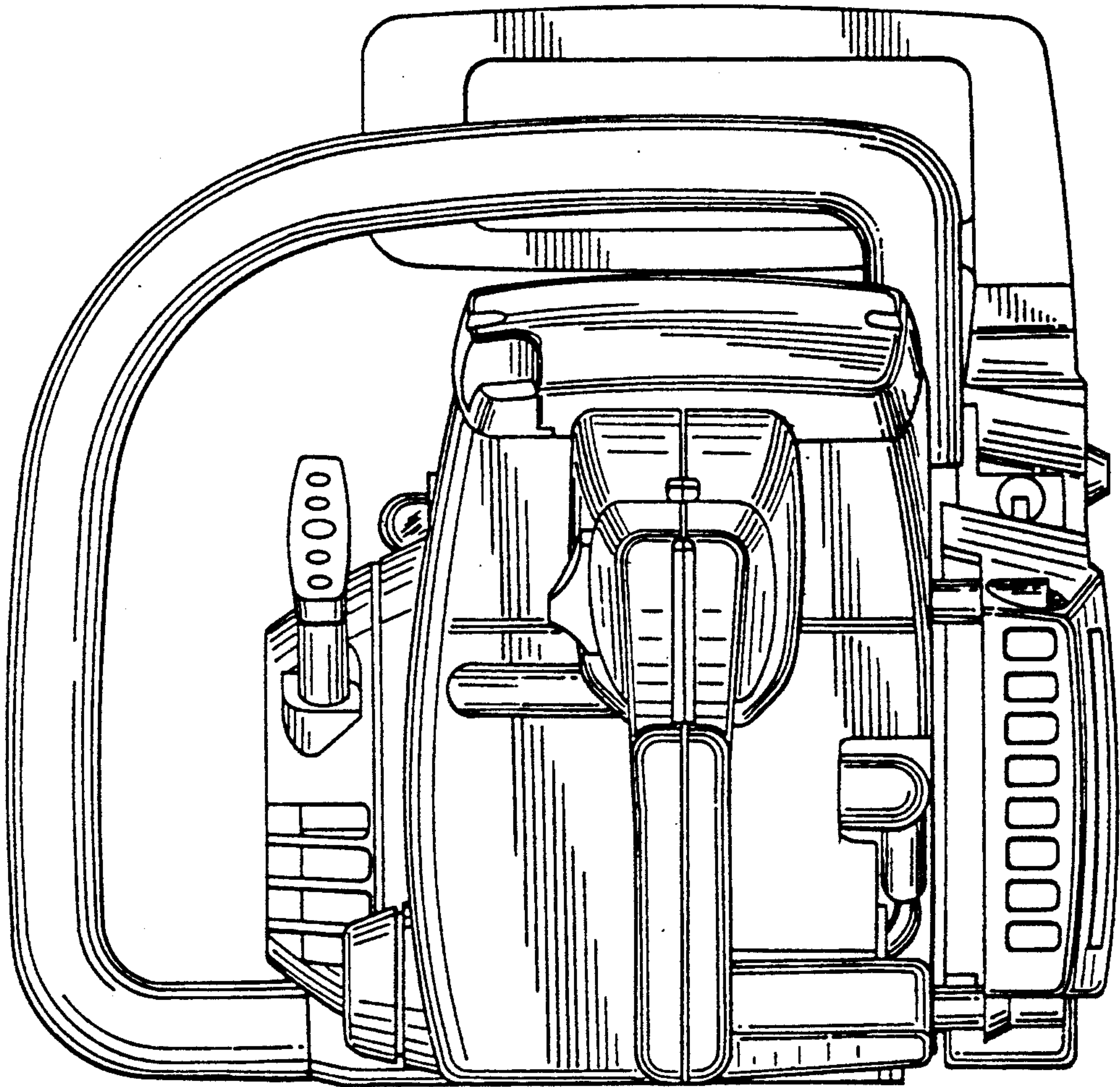


FIG. 13





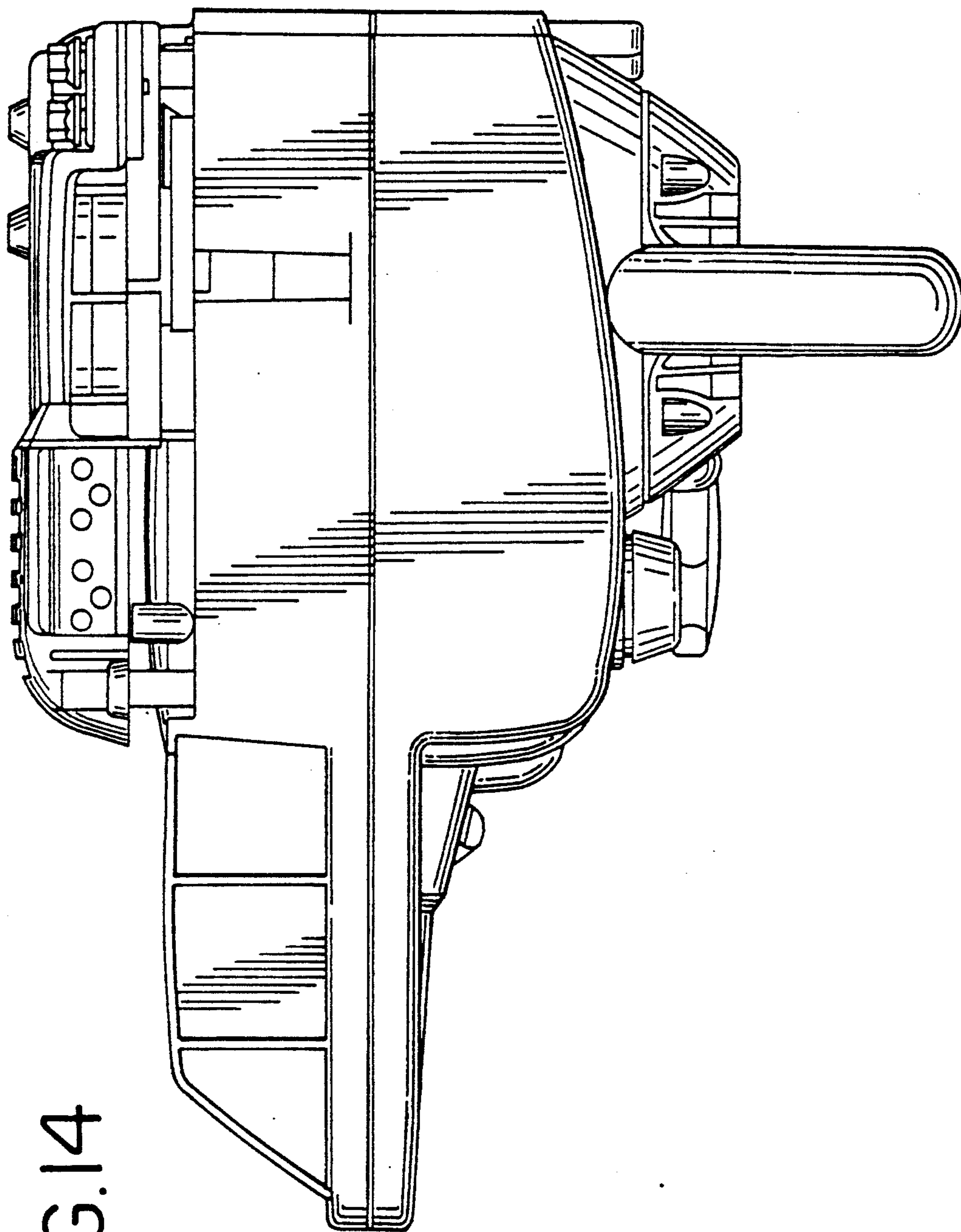


FIG.14