



US00D348191S

United States Patent [19] Williams

[11] Patent Number: **Des. 348,191**
[45] Date of Patent: **** Jun. 28, 1994**

- [54] **BLADE FOR SCISSOR**
- [75] Inventor: **David M. Williams**, Sheffield, England
- [73] Assignee: **McPherson's Limited**, Victoria, Australia
- [**] Term: **14 Years**
- [21] Appl. No.: **899,386**
- [22] Filed: **Jun. 16, 1992**

2,718,700	9/1955	Stecher	30/355
3,817,304	6/1974	Vinh	30/355

Primary Examiner—Bernard Ansher
Assistant Examiner—R. Barkai
Attorney, Agent, or Firm—Trexler, Bushnell, Giangiorgi & Blackstone, Ltd.

[57] CLAIM

The ornamental design for a blade for scissor, as shown and described.

DESCRIPTION

FIG. 1 is a left side elevational view of a scissor blade showing our new design, and further showing a second, coupled scissor blade and handle fragment in phantom illustration;
 FIG. 2 is a top plan view of the scissor blade in the new design of FIG. 1 (omitting the phantom illustration therefrom);
 FIG. 3 is a bottom plan view thereof;
 FIG. 4 is a right side elevational view thereof;
 FIG. 5 is a front elevational view thereof;
 FIG. 6 is a sectional view along a plane indicated by line 6—6 in FIG. 1; and,
 FIG. 7 is a sectional view along a plane indicated by line 7—7 in FIG. 1.

My new design for a blade for scissor is believed adequately shown in the above-discussed FIGS. 1-7 of the drawings.

Related U.S. Application Data

- [63] Continuation-in-part of Ser. No. 826,162, Jan. 23, 1992, Pat. No. Des. 337,250.

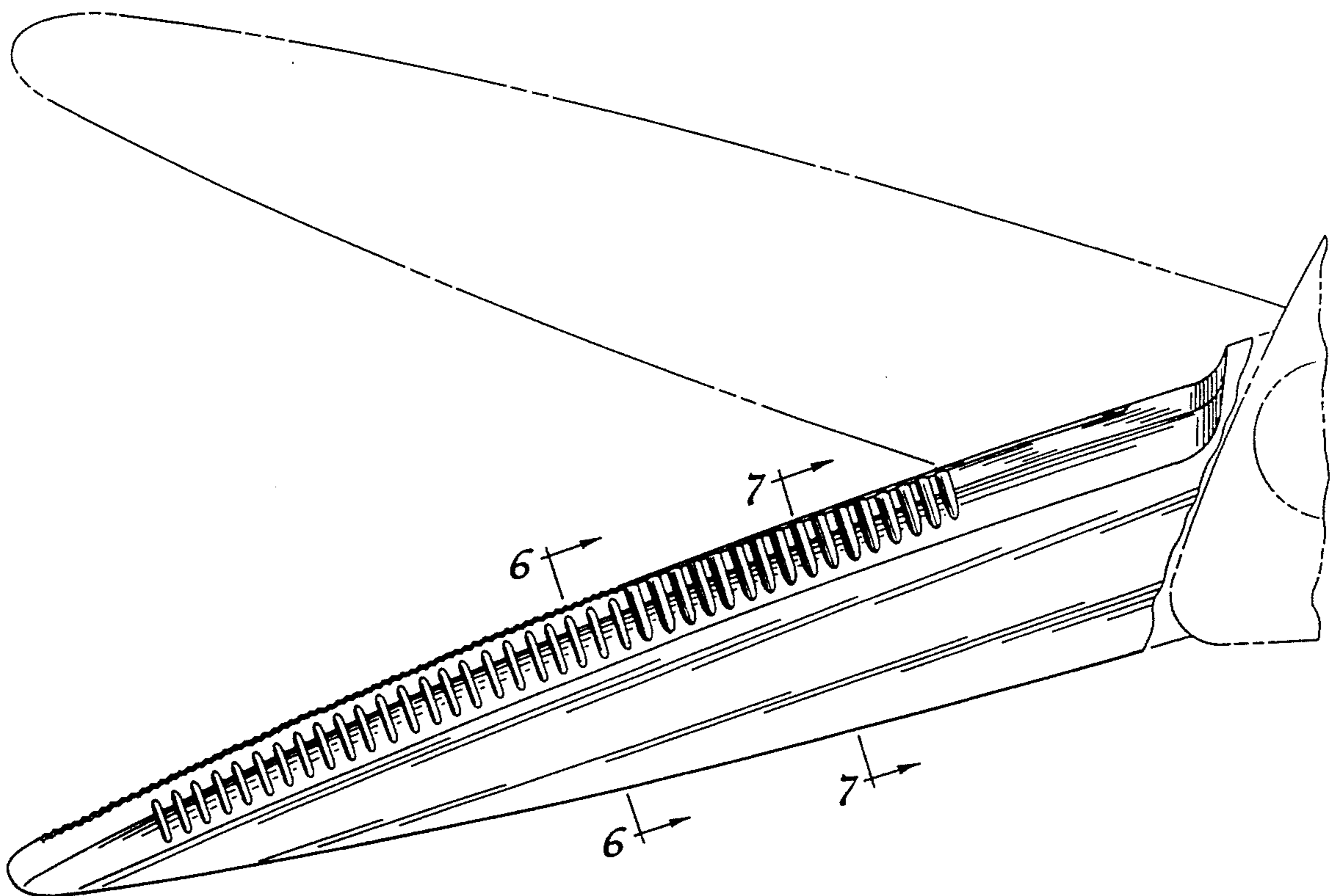
[30] Foreign Application Priority Data

- Jul. 24, 1991 [GB] United Kingdom 2016190
- [52] U.S. Cl. **D8/57**
- [58] Field of Search D8/57; 30/232-233, 30/254-255, 257, DIG. 5, 355; 7/125, 132, 134-135, 151

[56] References Cited

U.S. PATENT DOCUMENTS

- | | | | |
|-----------|---------|-------|--------|
| 2,527,018 | 10/1950 | Luzzi | 30/355 |
| 2,569,001 | 9/1951 | Herr | 30/355 |
| 2,685,734 | 8/1954 | Klein | 30/355 |



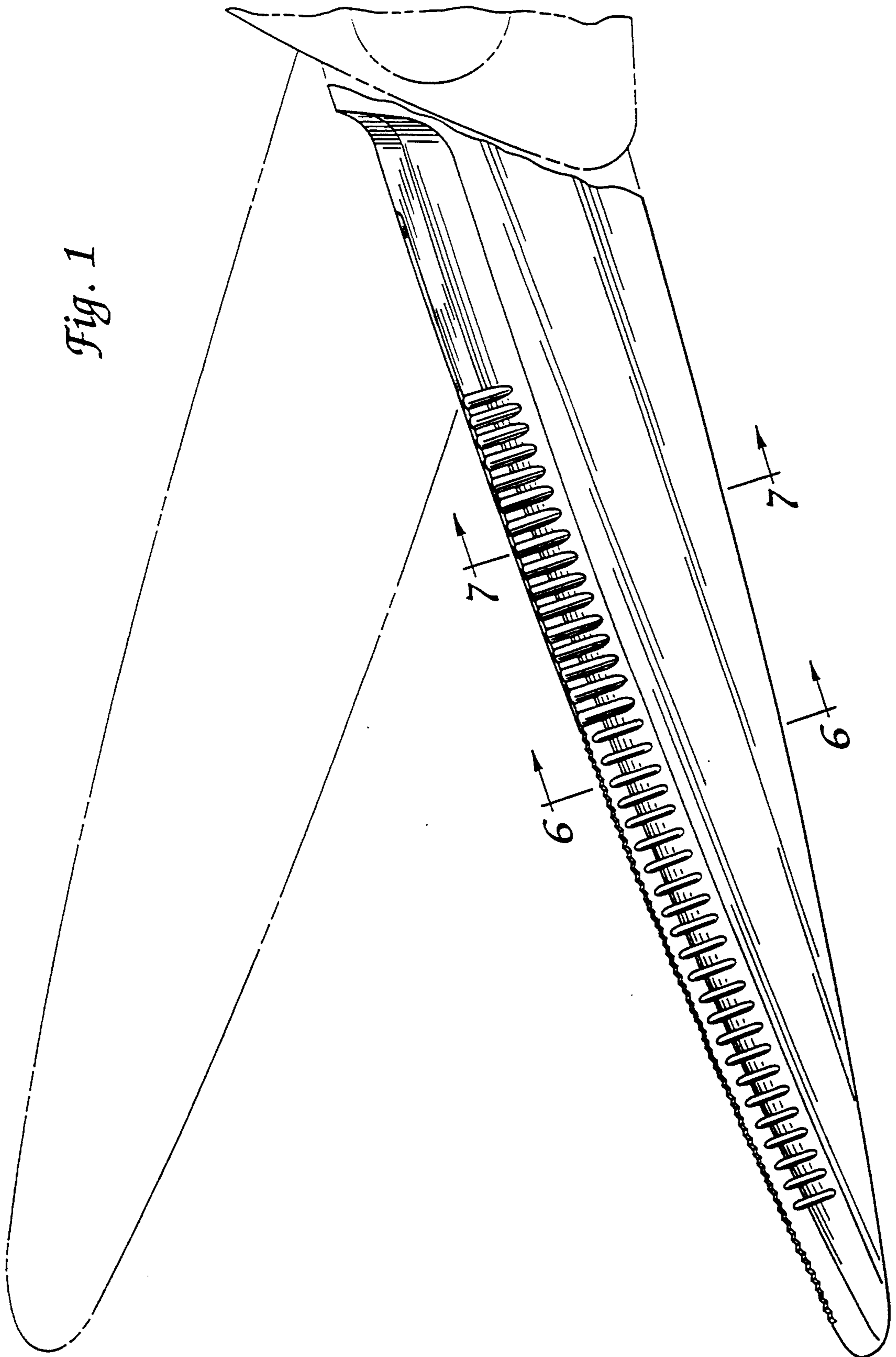


Fig. 1

Fig. 2



Fig. 3



Fig. 4

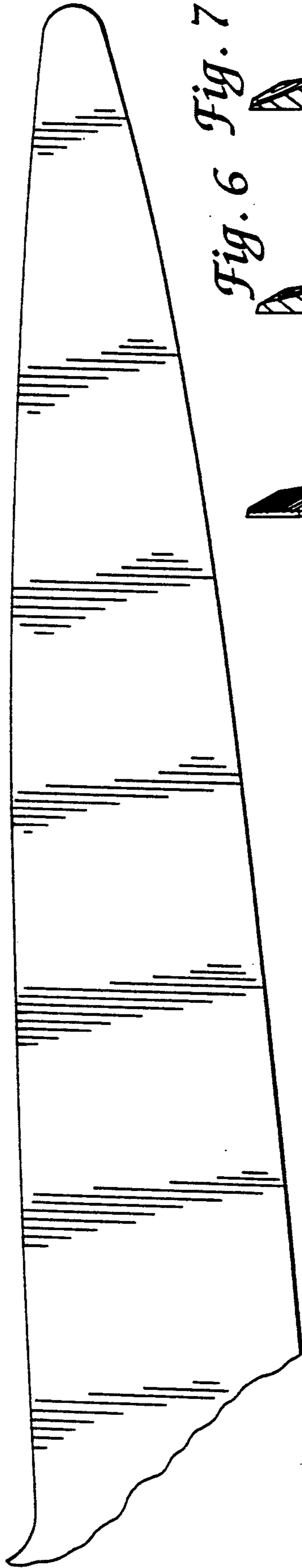


Fig. 6 Fig. 7

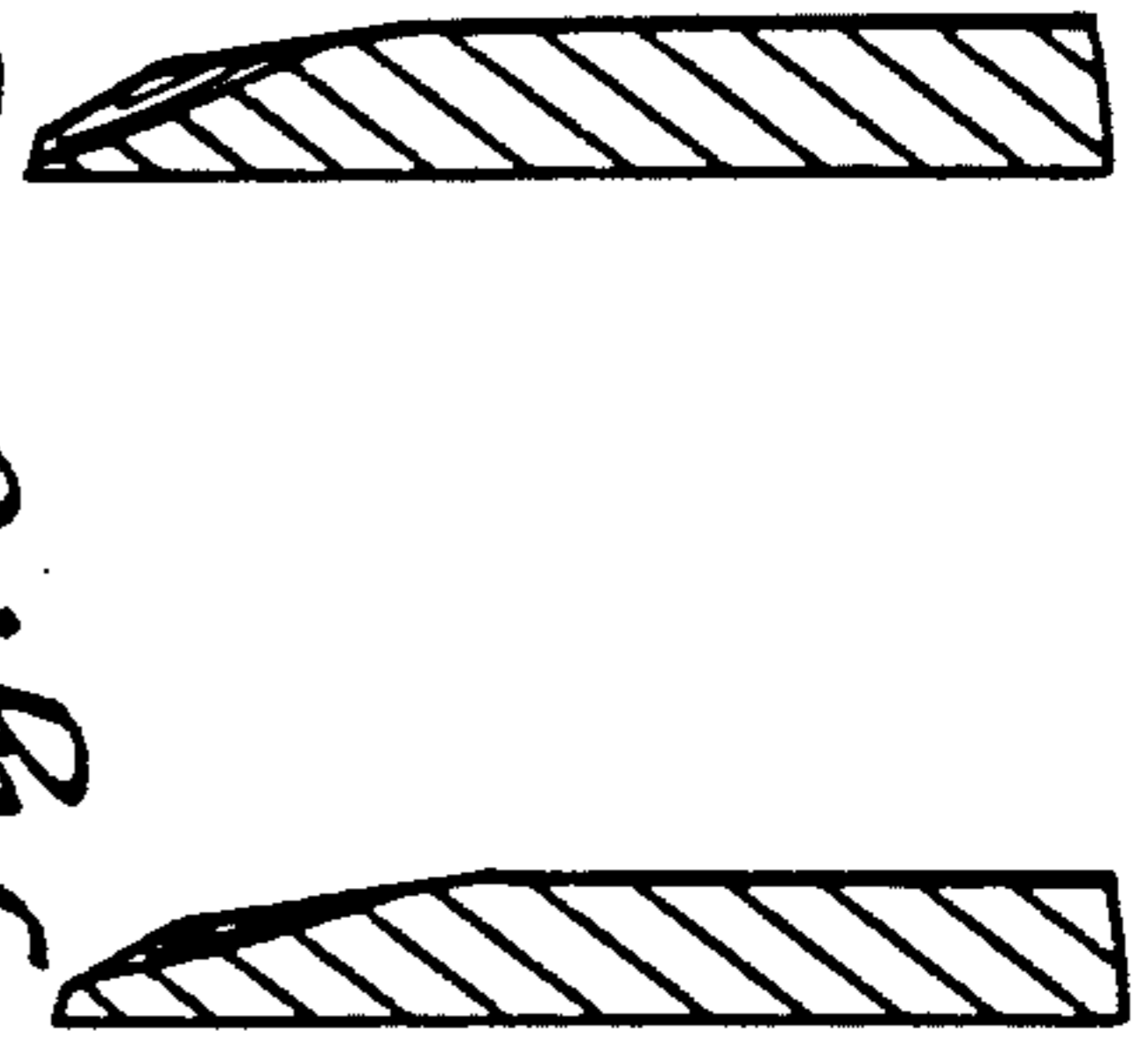


Fig. 5

