



US00D348188S

# United States Patent [19]

[11] Patent Number: **Des. 348,188**

Sorensen

[45] Date of Patent: **\*\* Jun. 28, 1994**

[54] **BOTTLE OPENER**

4,474,087 10/1984 Widman ..... 81/3.09

[76] Inventor: **Gert S. Sorensen**, Sonderbyvej 8,  
Otterup, Denmark

*Primary Examiner*—Bernard Ansher

*Assistant Examiner*—R. Barkai

*Attorney, Agent, or Firm*—George H. Dunsmuir

[\*\*] Term: **14 Years**

[21] Appl. No.: **4,449**

[57] **CLAIM**

The ornamental design for a novelty bottle opener, as shown and described.

[22] Filed: **Feb. 5, 1993**

[52] U.S. Cl. .... **D8/38**

[58] Field of Search ..... D8/18, 33-36,  
D8/38, 40-43, 105, 88-89; 81/3.55, 3.4, 3.57,  
3.09, 3.07, 3.42, 3.45, 3.2; 7/152, 154-156;  
30/123, 416, 426, 443, 450; D21/136, 78

**DESCRIPTION**

FIG. 1 is a front perspective view of the novelty bottle opener according to my design;

FIG. 2 is a bottom plan view of the novelty bottle opener according to FIG. 1;

FIG. 3 is a rear, end elevational view of the novelty bottle opener according to FIG. 1;

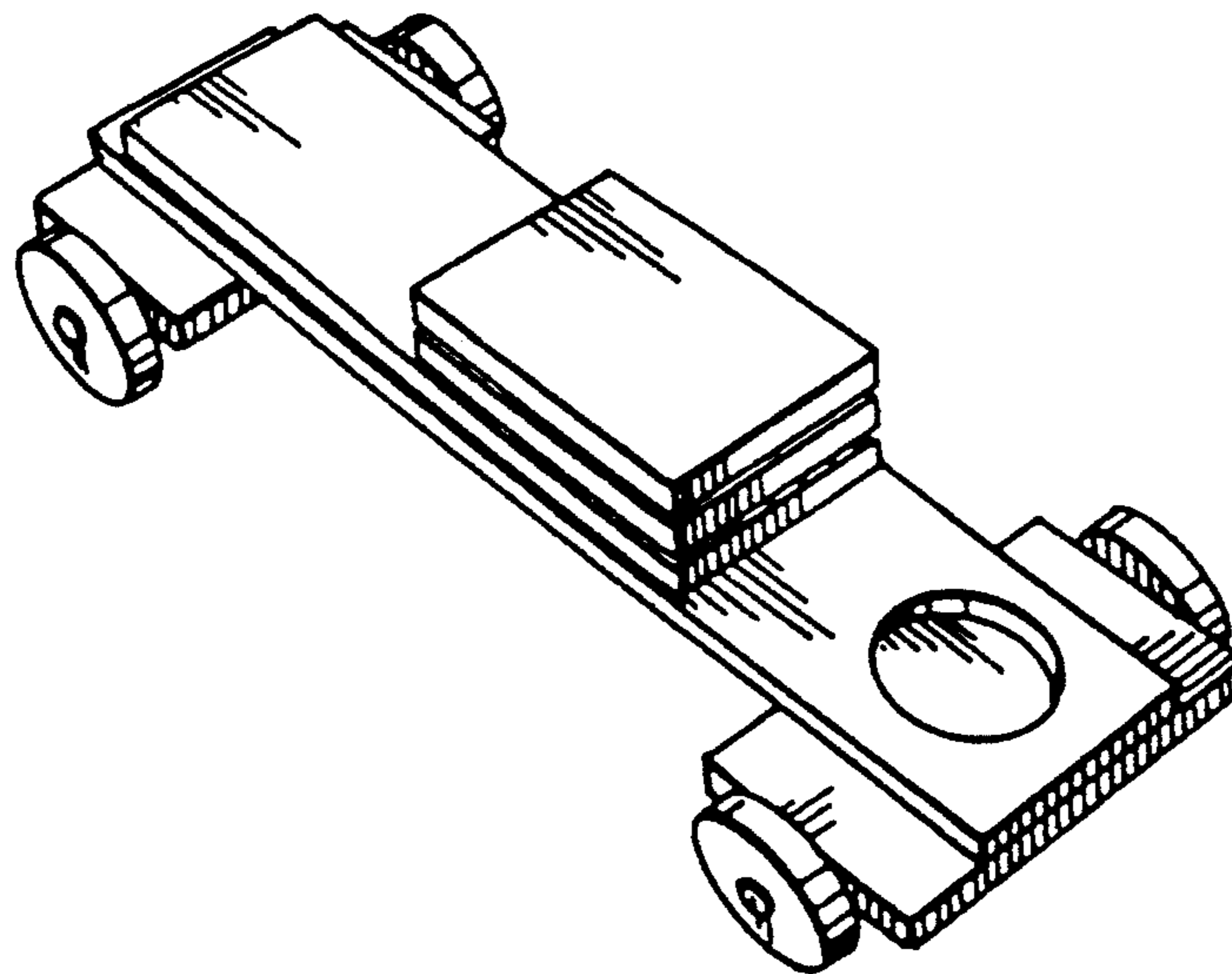
FIG. 4 is a front, end elevational view of the novelty bottle opener according to FIG. 1; and,

FIG. 5 is a side elevational view of the novelty bottle opener, the side opposite being a mirror image.

[56] **References Cited**

**U.S. PATENT DOCUMENTS**

- D. 41,895 11/1911 Sommer ..... D8/18
- D. 149,366 4/1948 Larsen, Jr. .... D21/136
- D. 224,836 9/1972 Waldron ..... D21/136
- 3,628,405 12/1971 Fleisher ..... 81/3.42



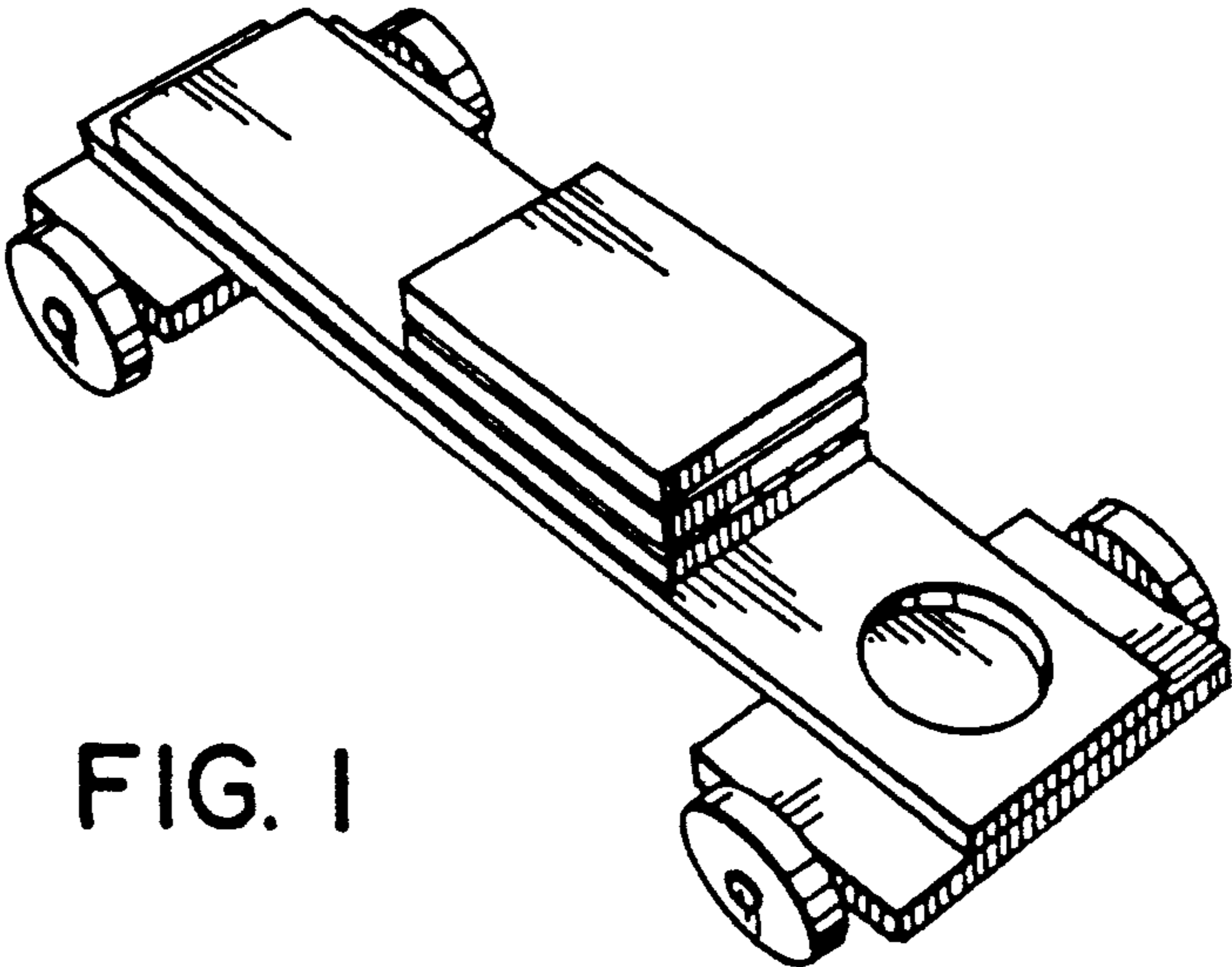


FIG. 1

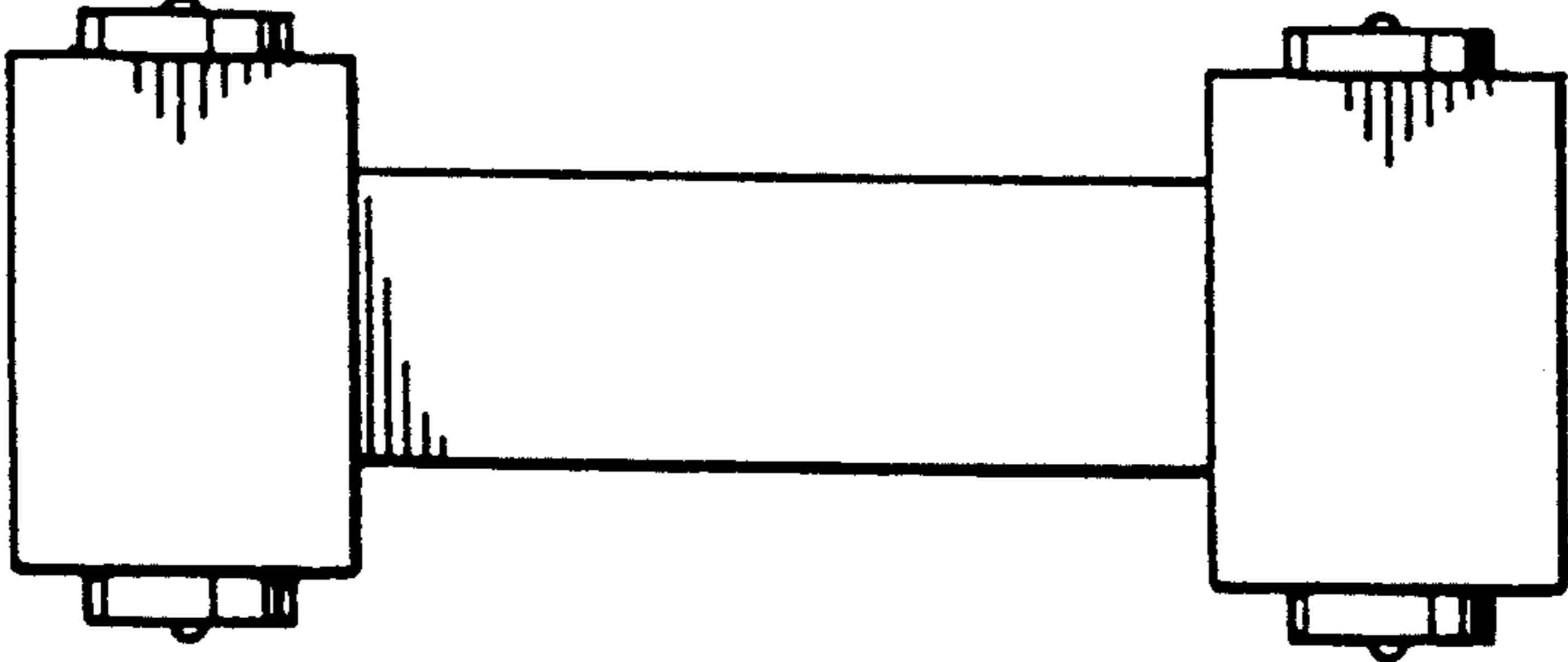


FIG. 2

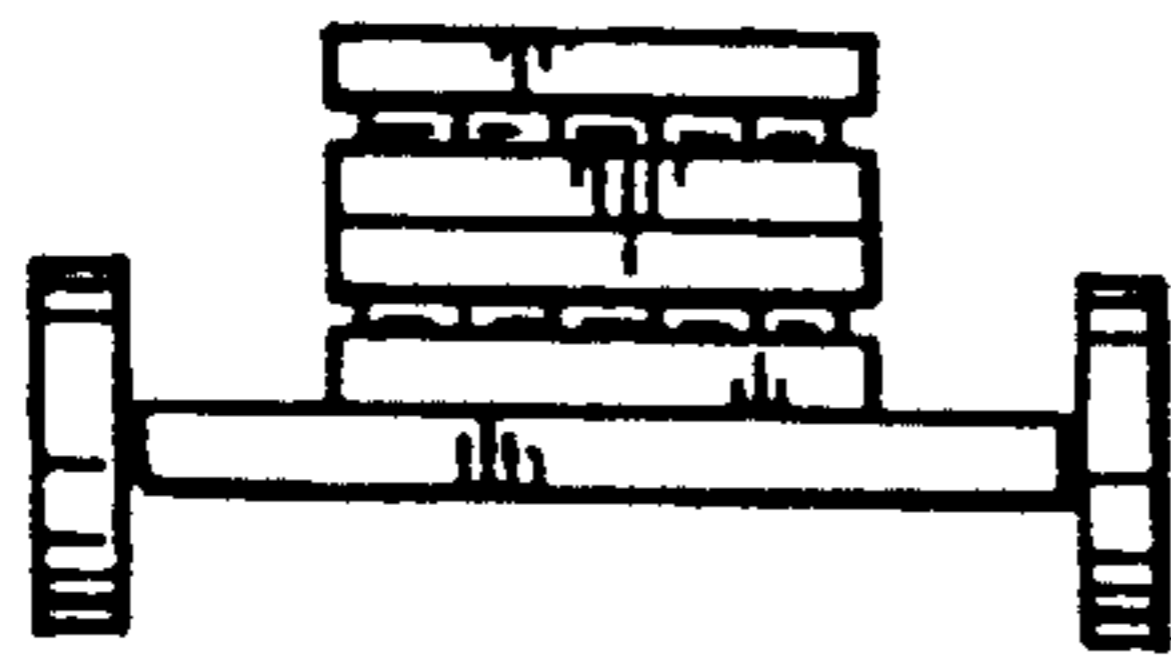


FIG. 3

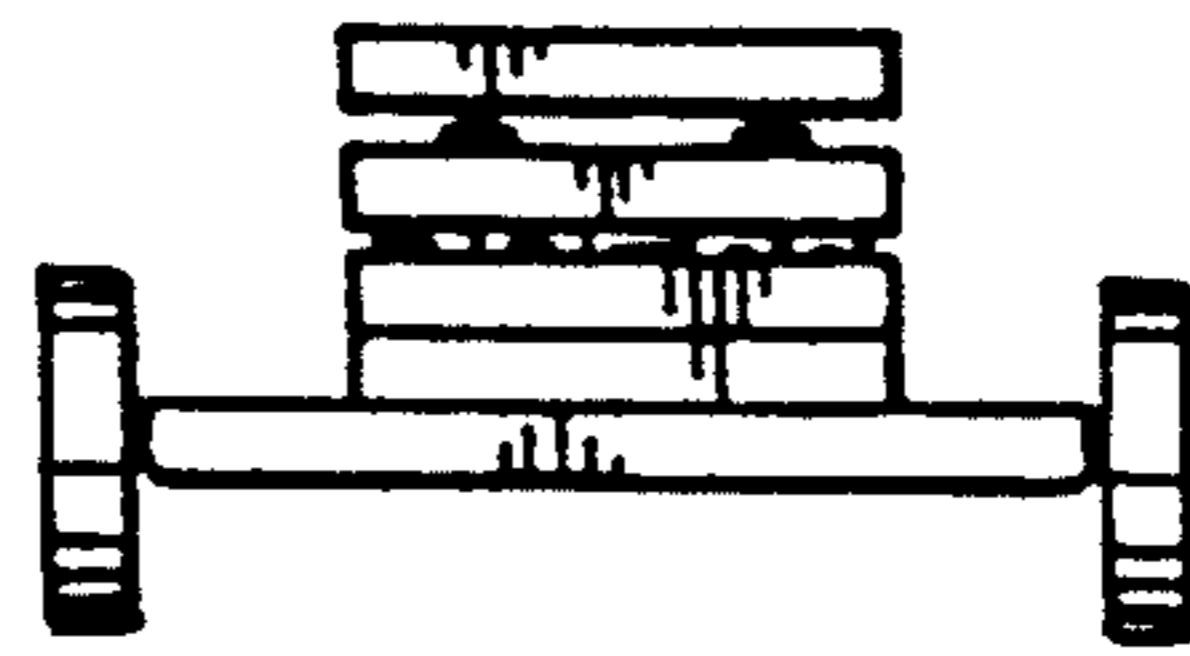


FIG. 4

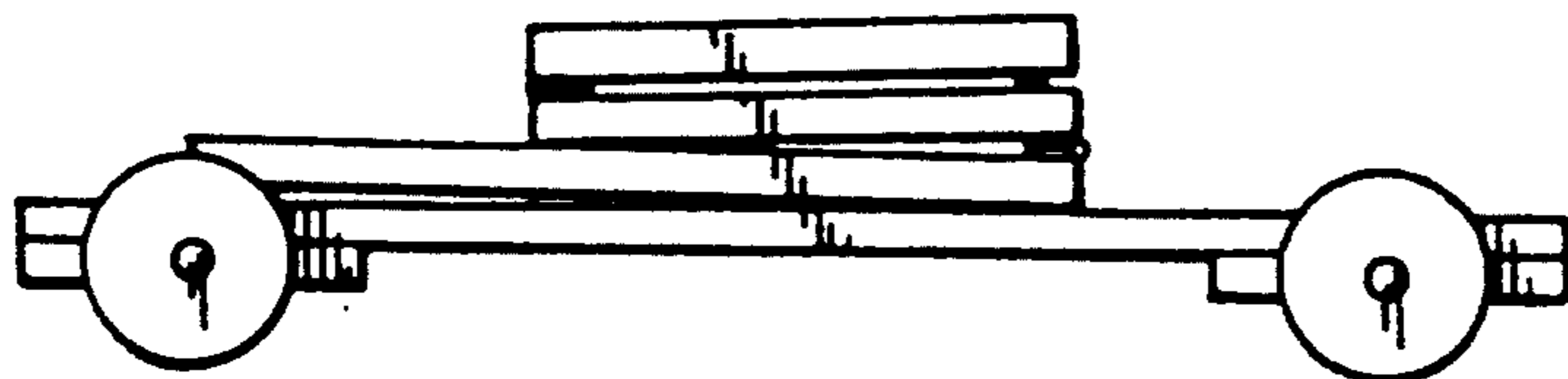


FIG. 5