



US00D348183S

# United States Patent [19]

Sawatsky et al.

[11] Patent Number: **Des. 348,183**

[45] Date of Patent: **\*\* Jun. 28, 1994**

[54] MUG HOLDER

[76] Inventors: **Henry Sawatsky**, 63 Main St. S., Brampton, Canada, L6W 1M9; **David P. Sawatsky**, 12 Ballycastle Crescent, Brampton, Canada, L6Z 2V5

[\*\*] Term: **14 Years**

[21] Appl. No.: **930,906**

[22] Filed: **Aug. 17, 1992**

[30] **Foreign Application Priority Data**

Jun. 25, 1992 [CA] Canada ..... 25069210  
[52] U.S. Cl. .... **D7/624**  
[58] Field of Search ..... **D7/624-625;**  
**D9/455; 215/100 R, 100.5; 248/346.1**

[56] **References Cited**

**U.S. PATENT DOCUMENTS**

D. 135,773 6/1943 Curran ..... D7/624  
1,981,627 11/1934 Merriman ..... D7/624 X  
2,968,888 1/1961 Borah ..... 215/100.5 X  
3,018,913 1/1962 Lund ..... D7/624 X

*Primary Examiner*—Terry A. Wallace  
*Attorney, Agent, or Firm*—Weingarten, Schurgin,  
Gagnebin & Hayes

[57] **CLAIM**

The ornamental design for a mug holder, as shown and described.

**DESCRIPTION**

FIG. 1 is a top perspective view of a mug holder showing our new design;  
FIG. 2 is a top plan view thereof;  
FIG. 3 is a bottom plan view thereof; and,  
FIG. 4 is a side elevational view thereof.

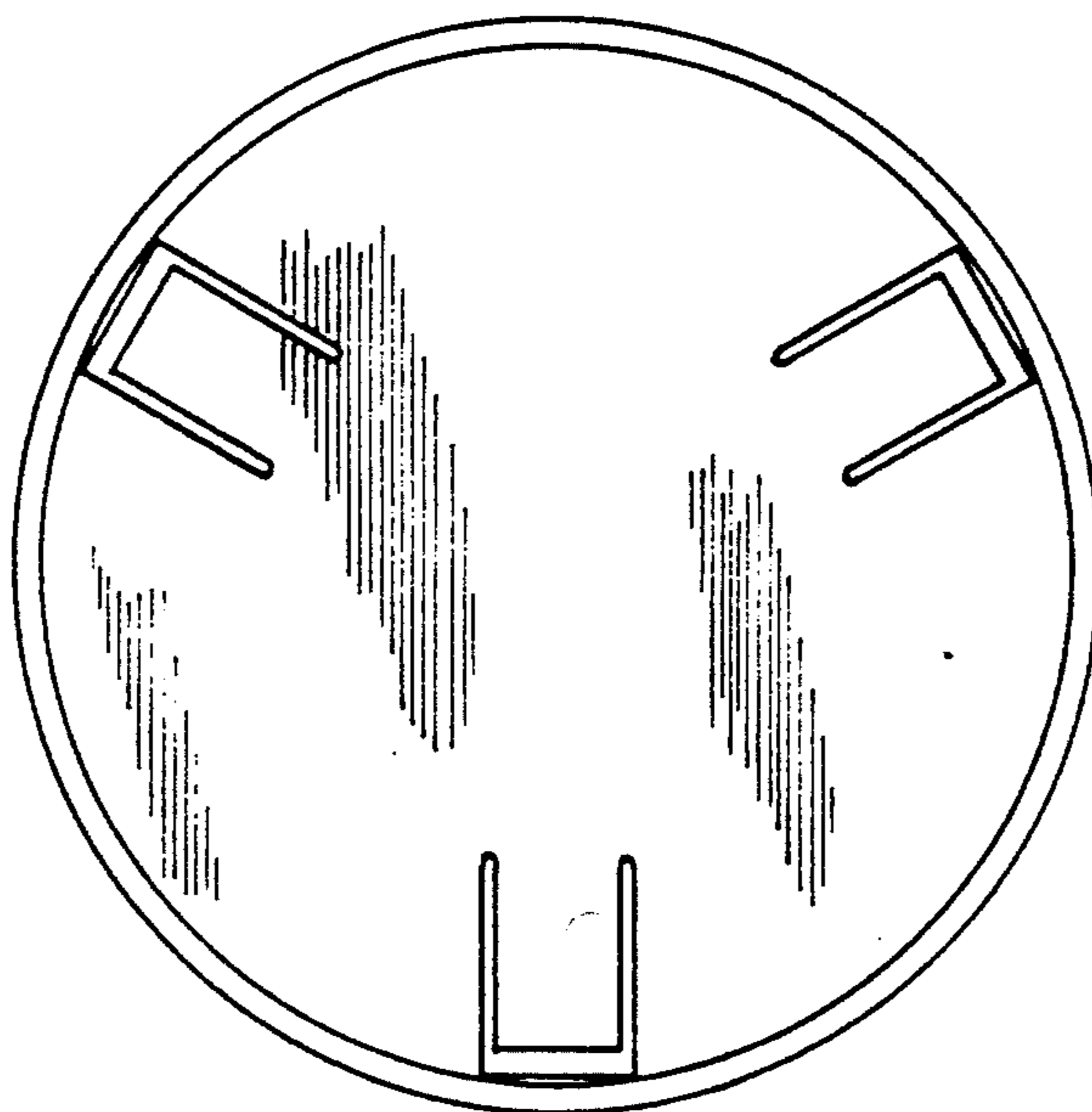
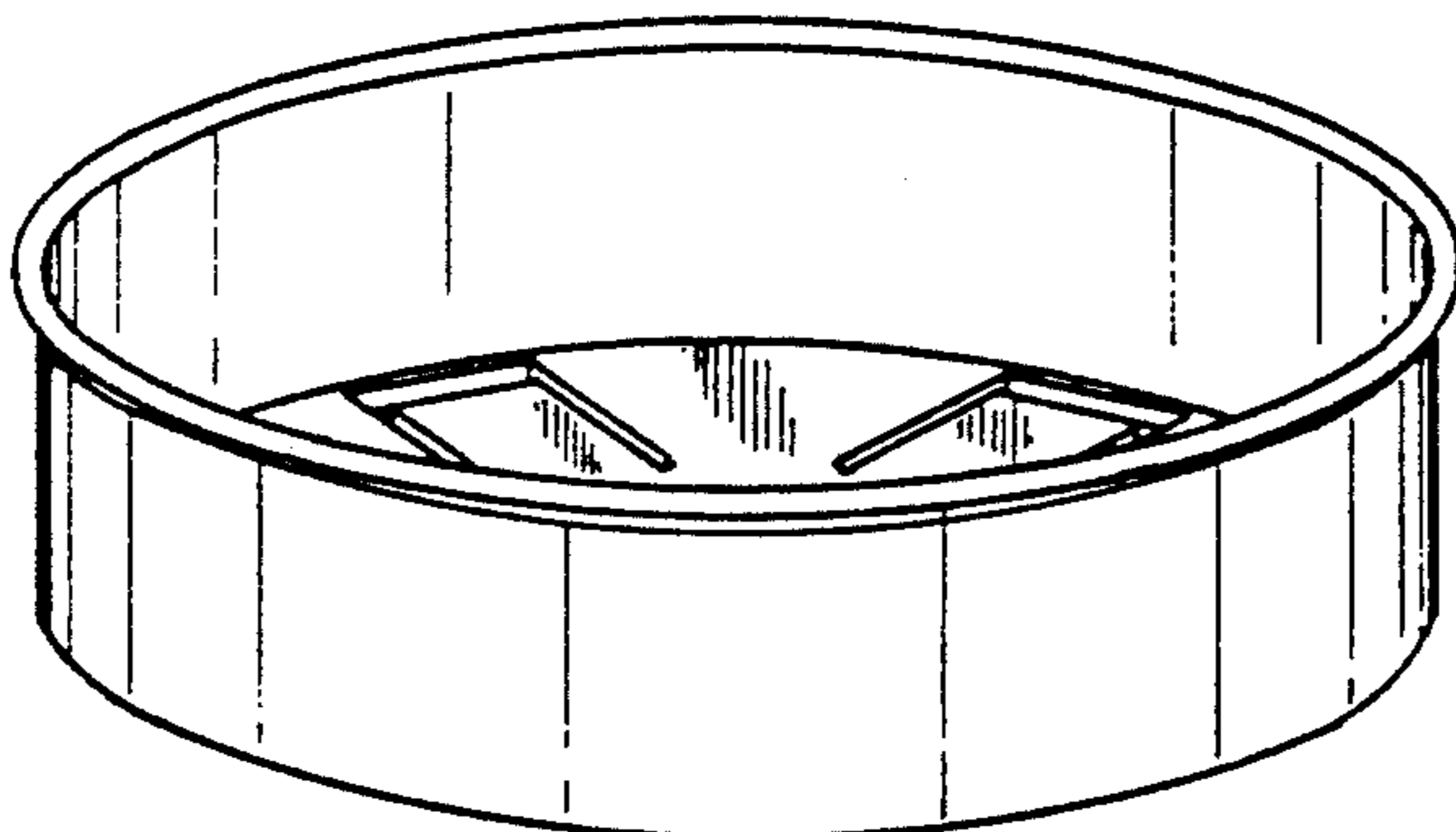


FIG. 1

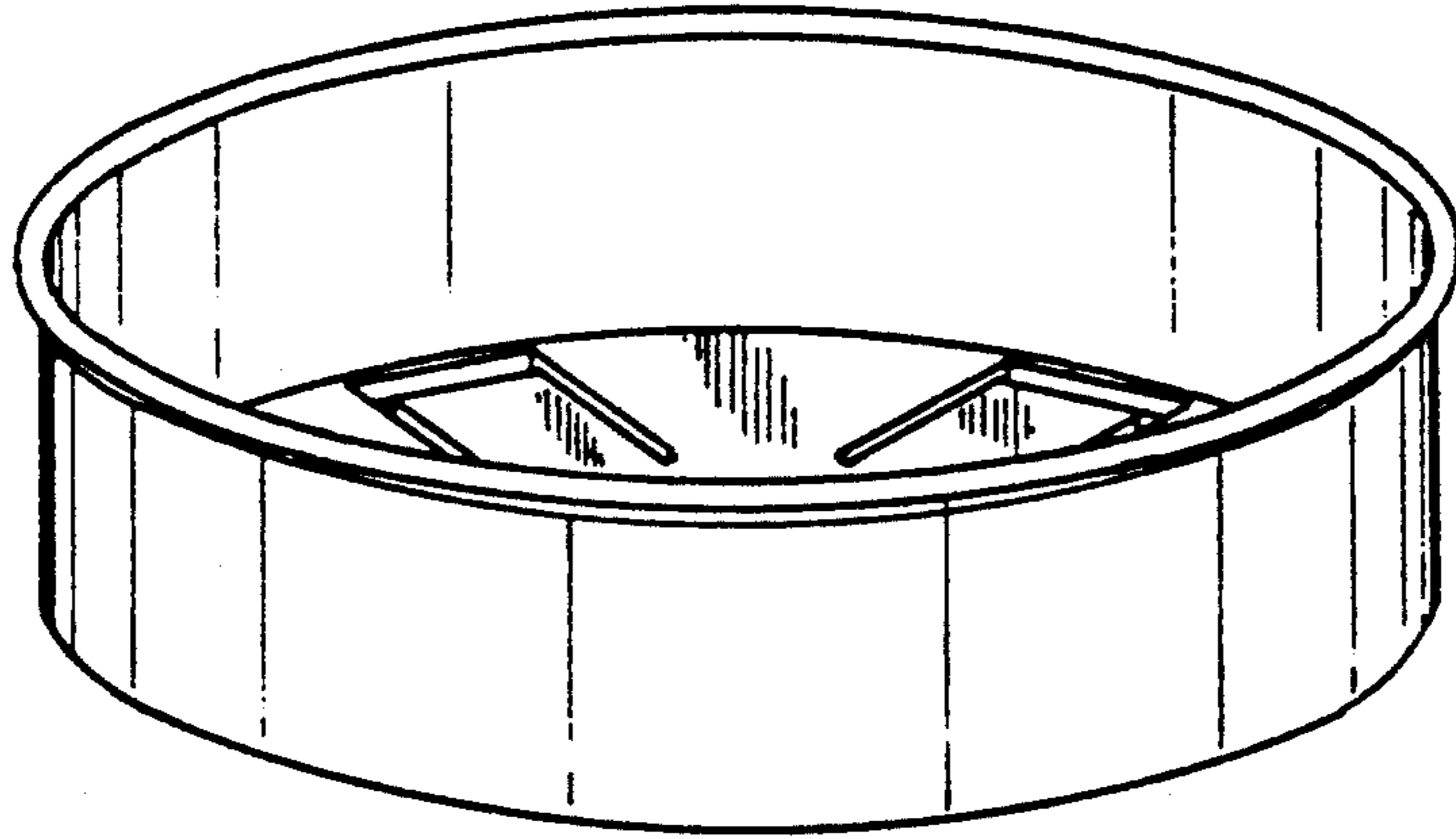


FIG. 2

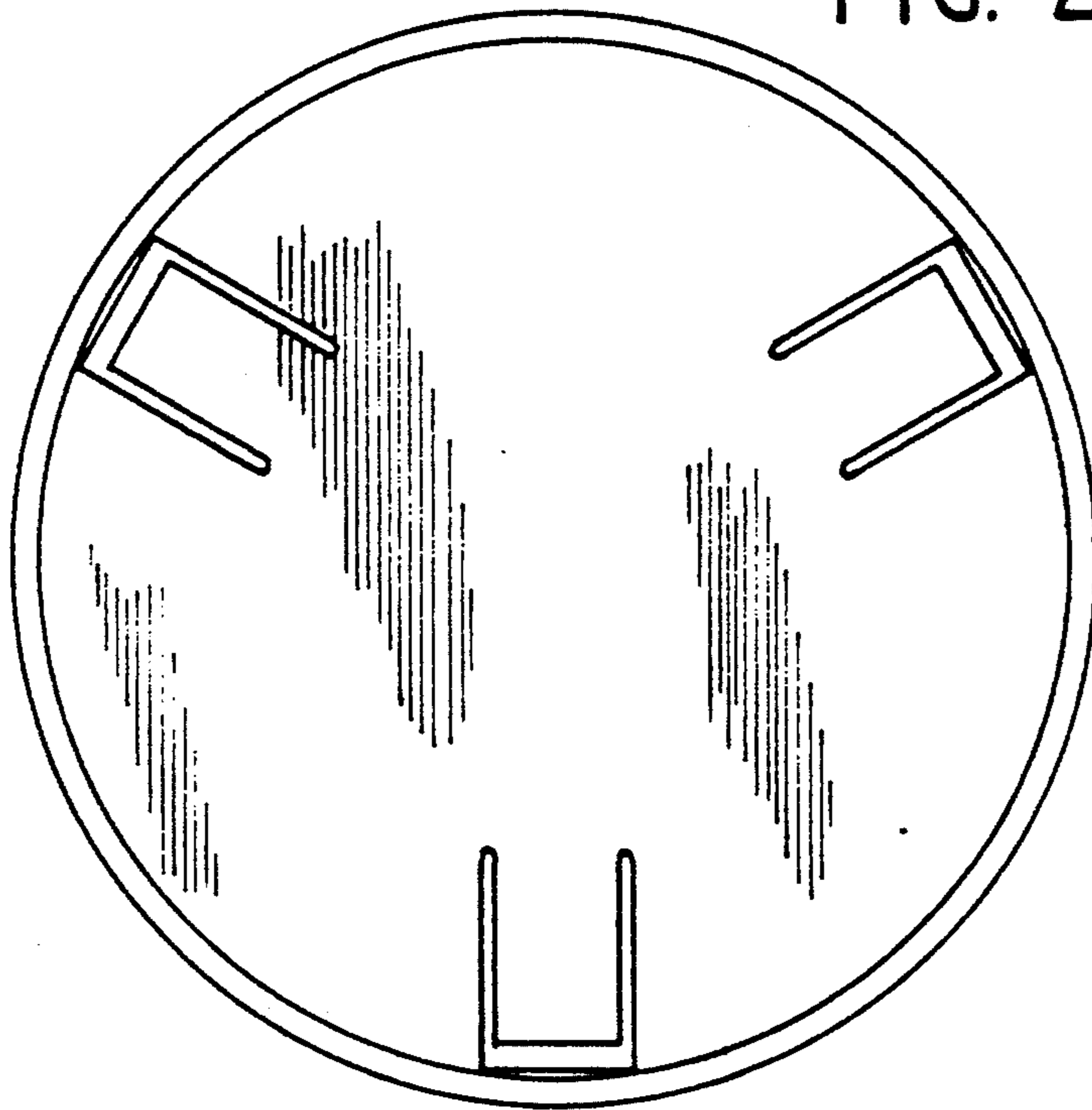


FIG. 3

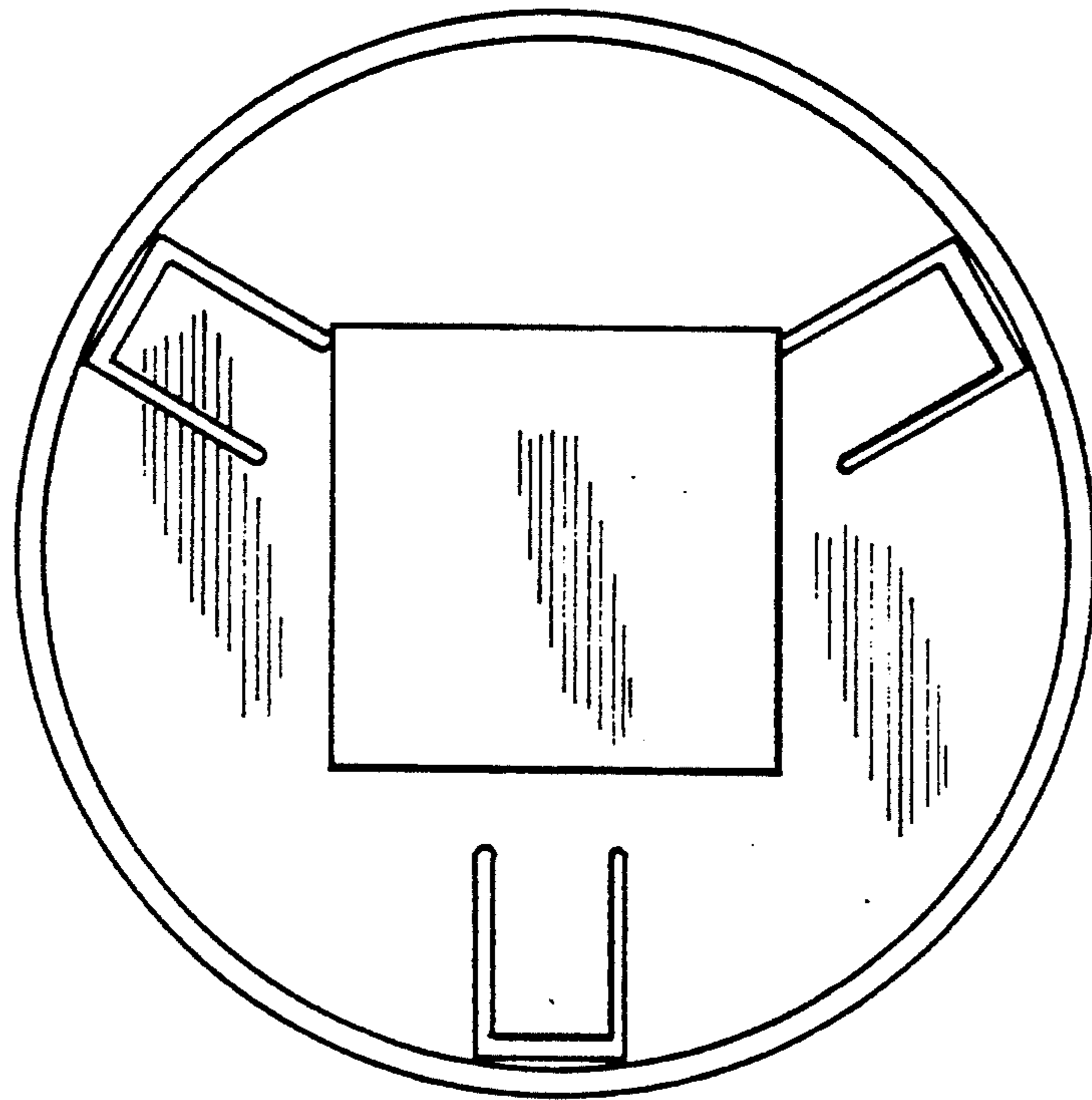


FIG. 4

