



US00D348177S

United States Patent [19]

[11] Patent Number: **Des. 348,177**

Kelly et al.

[45] Date of Patent: **** Jun. 28, 1994**

[54] **ELECTRIC POTATO CHIP SLICER**

[75] Inventors: **Roger L. Kelly, Eau Claire; Craig A. Fluegge, Lannon; James A. Hedrington, Chippewa Falls, all of Wis.**

[73] Assignee: **National Presto Industries, Inc., Eau Claire, Wis.**

[**] Term: **14 Years**

[21] Appl. No.: **4,340**

[22] Filed: **Feb. 2, 1993**

[52] U.S. Cl. **D7/381; D7/384**

[58] Field of Search **D7/381, 372, 368, 386, D7/383, 384, 374; 241/93, 273.2, 273.3, 285 A**

D. 300,400	3/1989	Kelly et al.	D7/381
D. 339,026	9/1993	Bannigan	D7/384
913,187	2/1909	Arnstein .	
1,114,411	10/1914	Stuven .	
1,669,092	5/1928	Kools .	
2,596,604	5/1952	Schaeffer .	
3,635,270	1/1972	Petroske et al.	30/123 R
3,907,215	9/1975	Mantelet	241/88.4
4,316,584	2/1982	Valbona	D7/384 X
4,386,740	6/1983	Van Deursen	241/93
4,390,133	6/1983	Wanat	D7/384 X
4,884,755	12/1989	Hedrington	241/37.5

Primary Examiner—Alan P. Douglas
Assistant Examiner—Caron D. Veynar
Attorney, Agent, or Firm—Merchant, Gould, Smith, Edell, Welter & Schmidt

[56] **References Cited**

U.S. PATENT DOCUMENTS

D. 156,557	7/1948	Piker	D7/383 X
D. 171,753	3/1954	Darr	D7/383
D. 222,209	10/1971	Dykes .	
D. 227,314	6/1973	Mantelet .	
D. 230,941	3/1974	Marrie .	
D. 236,425	8/1975	McCue	D8/34
D. 251,231	3/1979	Hashimoto	D7/384
D. 259,883	7/1981	Engebretsen	D7/381
D. 259,992	7/1981	Kahlcke	D7/412
D. 276,202	11/1984	Shun	D7/383 X
D. 293,071	12/1987	Kim	D7/384

[57] **CLAIM**

The ornamental design for an electric potato chip slicer, as shown and described.

DESCRIPTION

FIG. 1 is a front and top-left perspective view of an electric potato chip slicer showing our new design; FIG. 2 is a front and top perspective view thereof; FIG. 3 is a rear elevational view thereof; FIG. 4 is a top plan view thereof; FIG. 5 is a bottom plan view thereof; FIG. 6 is a left side elevational view thereof; and, FIG. 7 is a right side elevational view thereof.

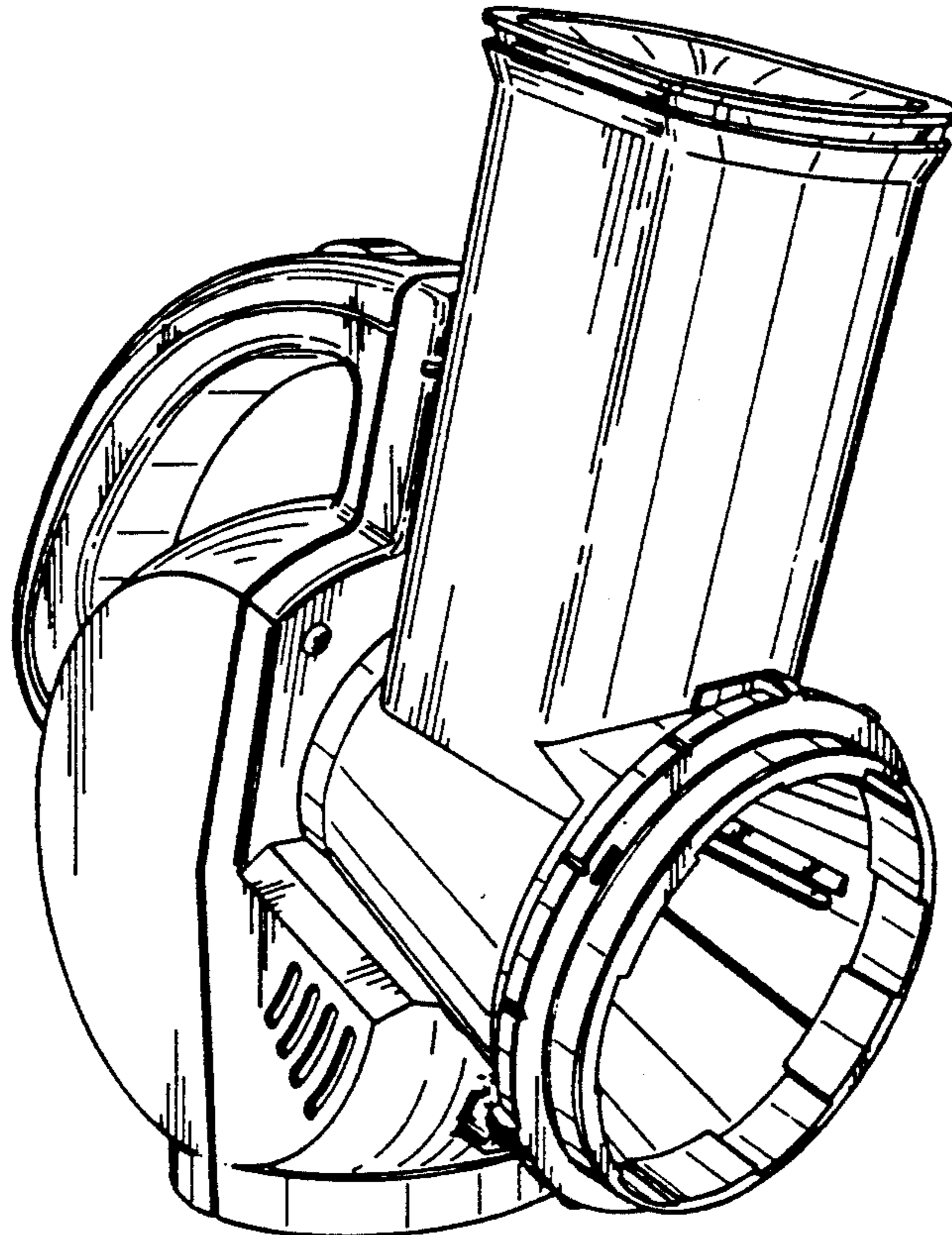


FIG. 1

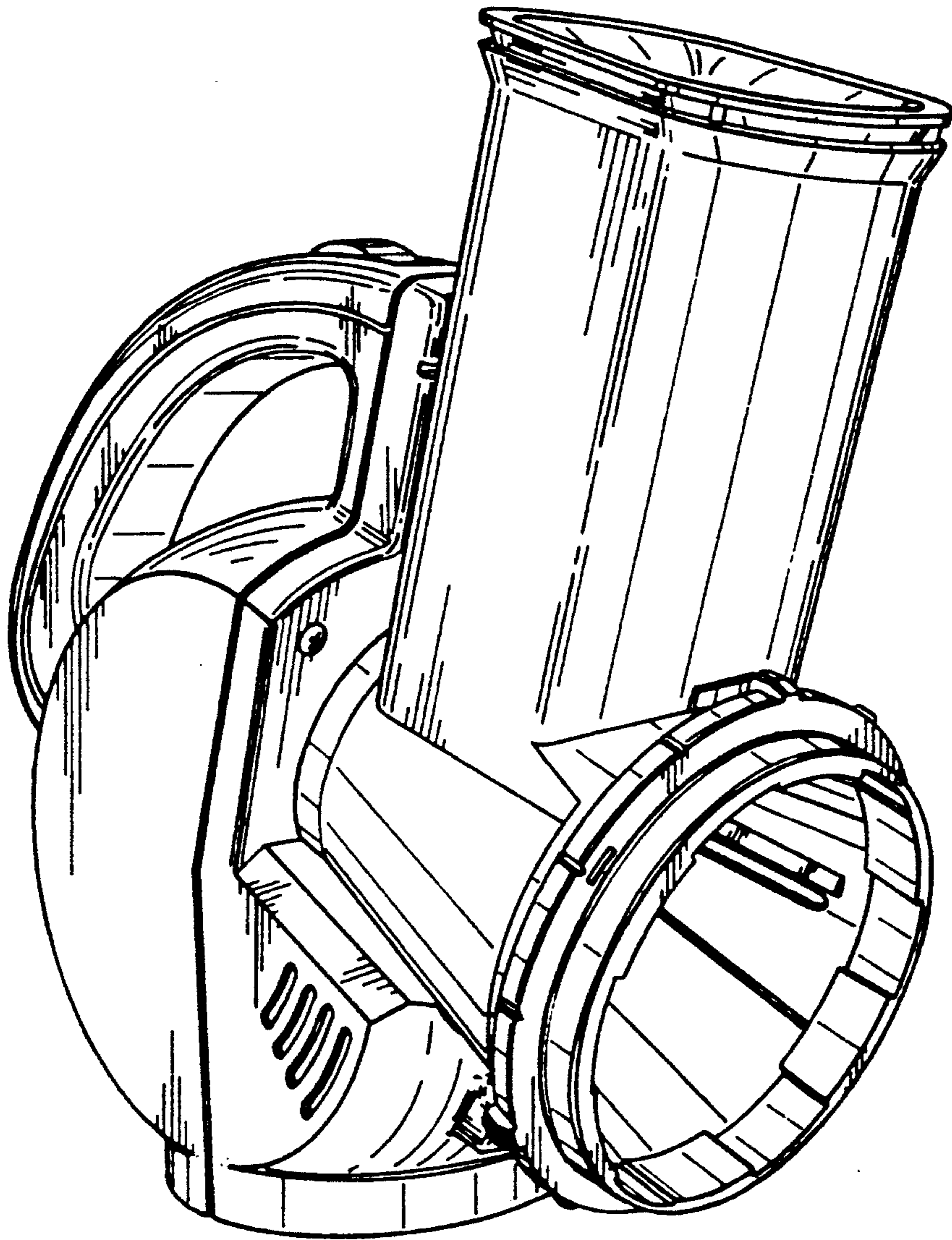


FIG. 2

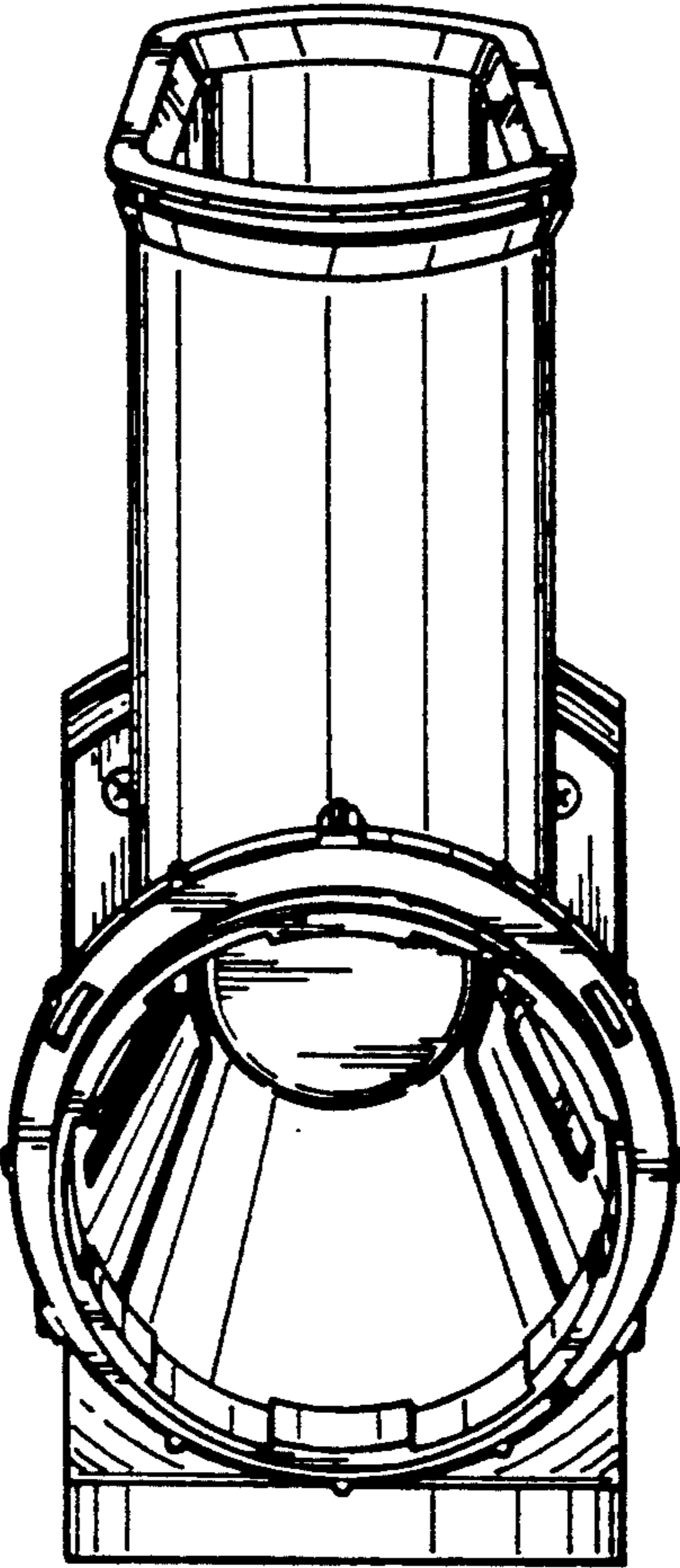


FIG. 3

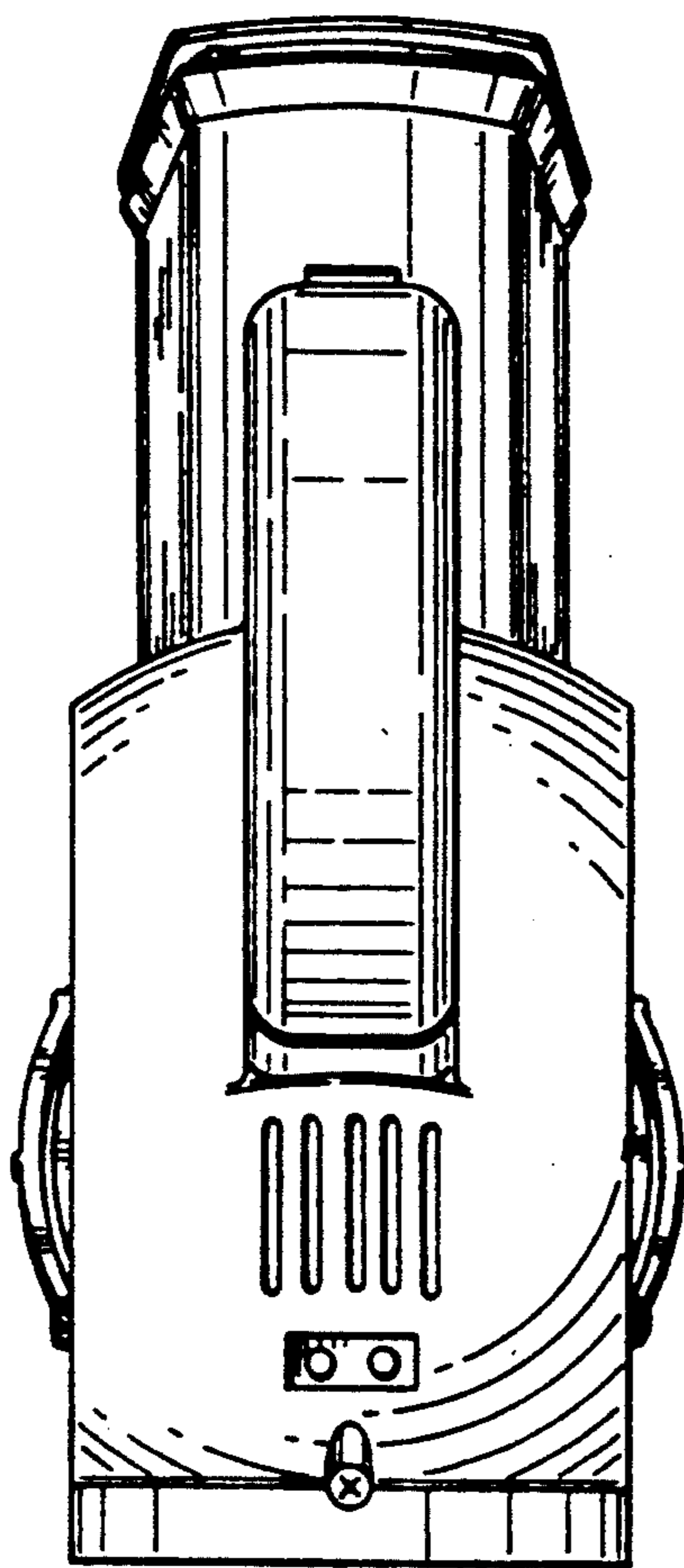


FIG. 4

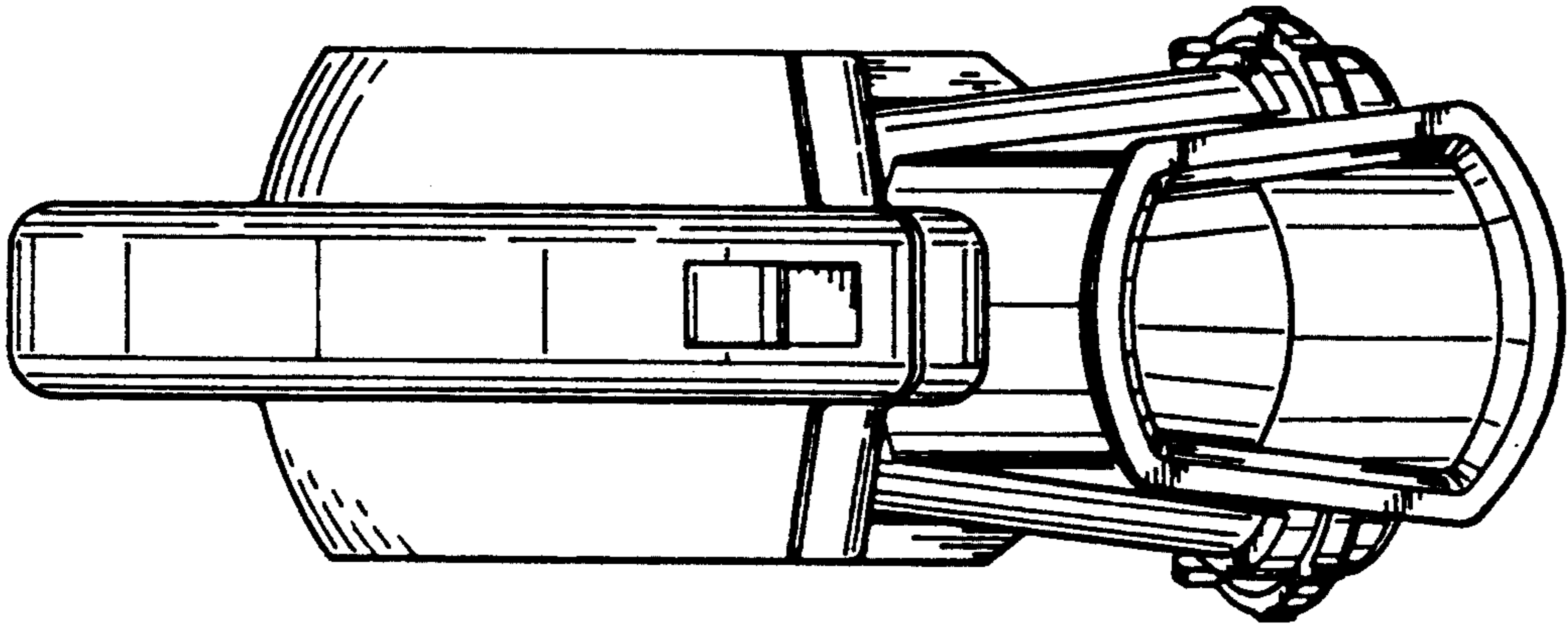


FIG. 5

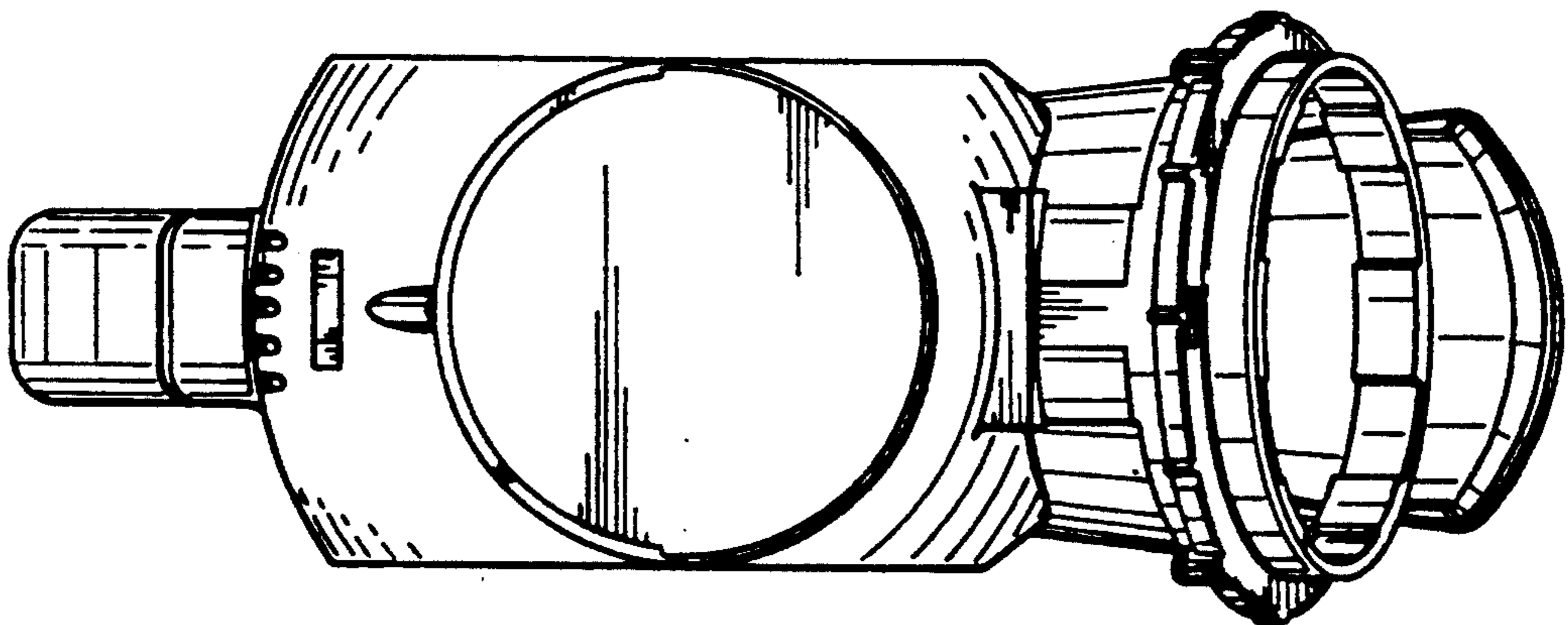


FIG. 6

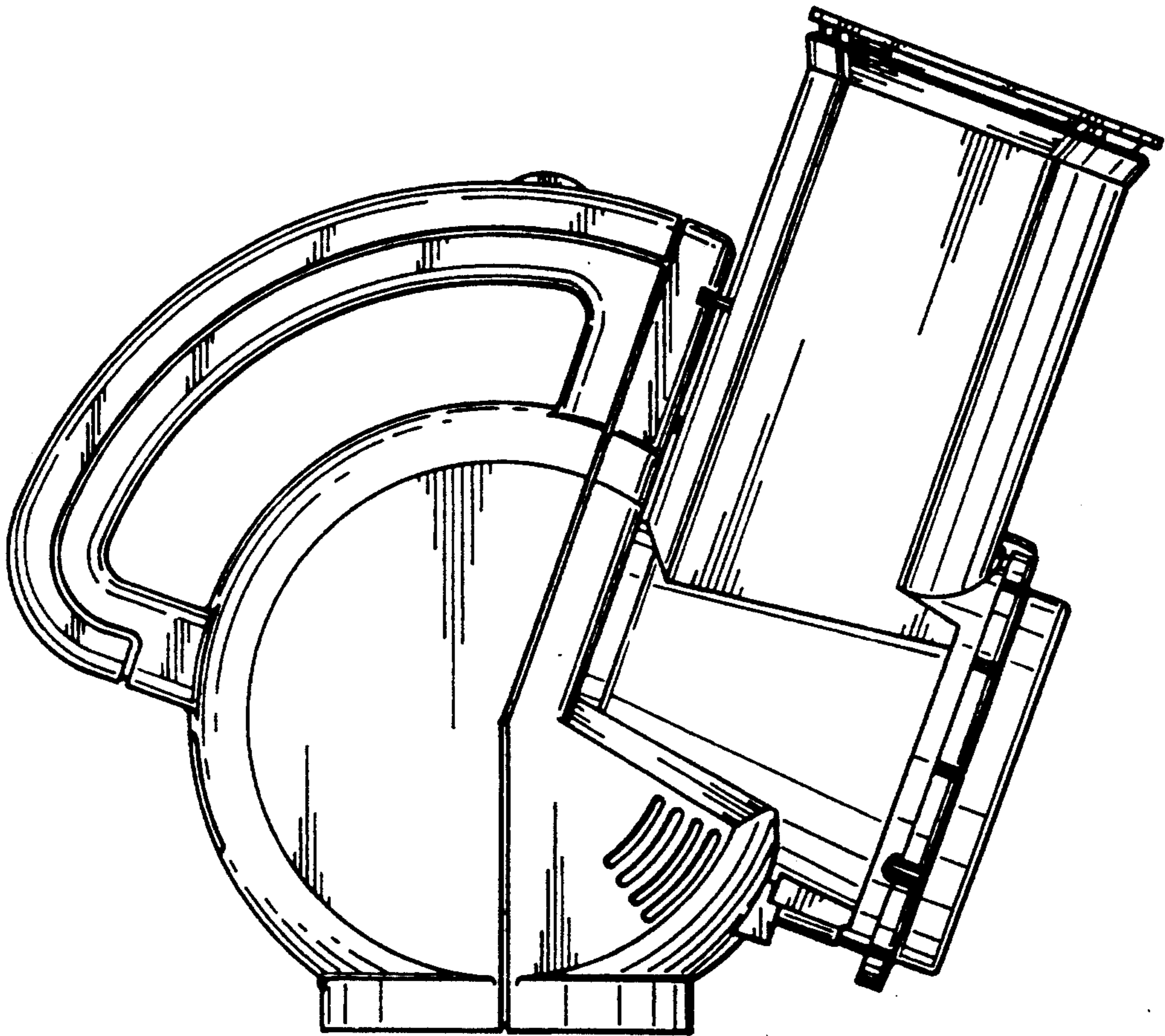


FIG. 7

