



US00D348176S

United States Patent [19]

Sokolski et al.

[11] Patent Number: **Des. 348,176**

[45] Date of Patent: **** Jun. 28, 1994**

[54] **BEVERAGE CONTAINER**

[75] Inventors: **Robert Sokolski; John Downey**, both of Warren, Pa.

[73] Assignee: **Whirley Industries, Inc.**, Warren, Pa.

[**] Term: **14 Years**

[21] Appl. No.: **925,075**

[22] Filed: **Aug. 5, 1992**

[52] U.S. Cl. **D7/320; D7/314; D7/602**

[58] Field of Search **D7/601, 320, 603, 314, D7/387, 300, 392.1, 313, 392, 361, 396.2, 548, 396.3, 397, 398, 602, 507, 509, 510, 511, 529, 532, 533, 535, 536, 537, 619, 545; 220/710.3, 755, 711, 713, 254, 268, 306, 769; 222/546; D9/443, 539, 435, 542, 551, 533, 436, 445, 446, 447**

[56] **References Cited**

U.S. PATENT DOCUMENTS

- D. 205,369 7/1966 Phillips D7/603
- D. 262,856 2/1982 MacTavish et al. D7/320
- D. 268,469 4/1983 Ruxton et al. D7/320
- D. 294,325 2/1988 Flore, Jr. D7/320

- D. 338,130 8/1993 Costello D7/300 X
- 1,536,909 5/1925 Nelson 220/755 X
- 2,710,705 6/1955 Balint et al. 220/769
- 2,790,475 4/1957 Close 220/254
- 3,297,192 1/1967 Swett D9/446 X
- 3,389,828 6/1968 Godshalk 220/755 X
- 3,445,031 5/1969 DuBois et al. D9/447 X
- 3,730,382 5/1973 Heisler 220/755 X
- 4,004,710 1/1977 Crisci 220/306
- 4,213,538 7/1980 Boardman 220/268
- 4,961,510 10/1990 Dvoracek 220/713

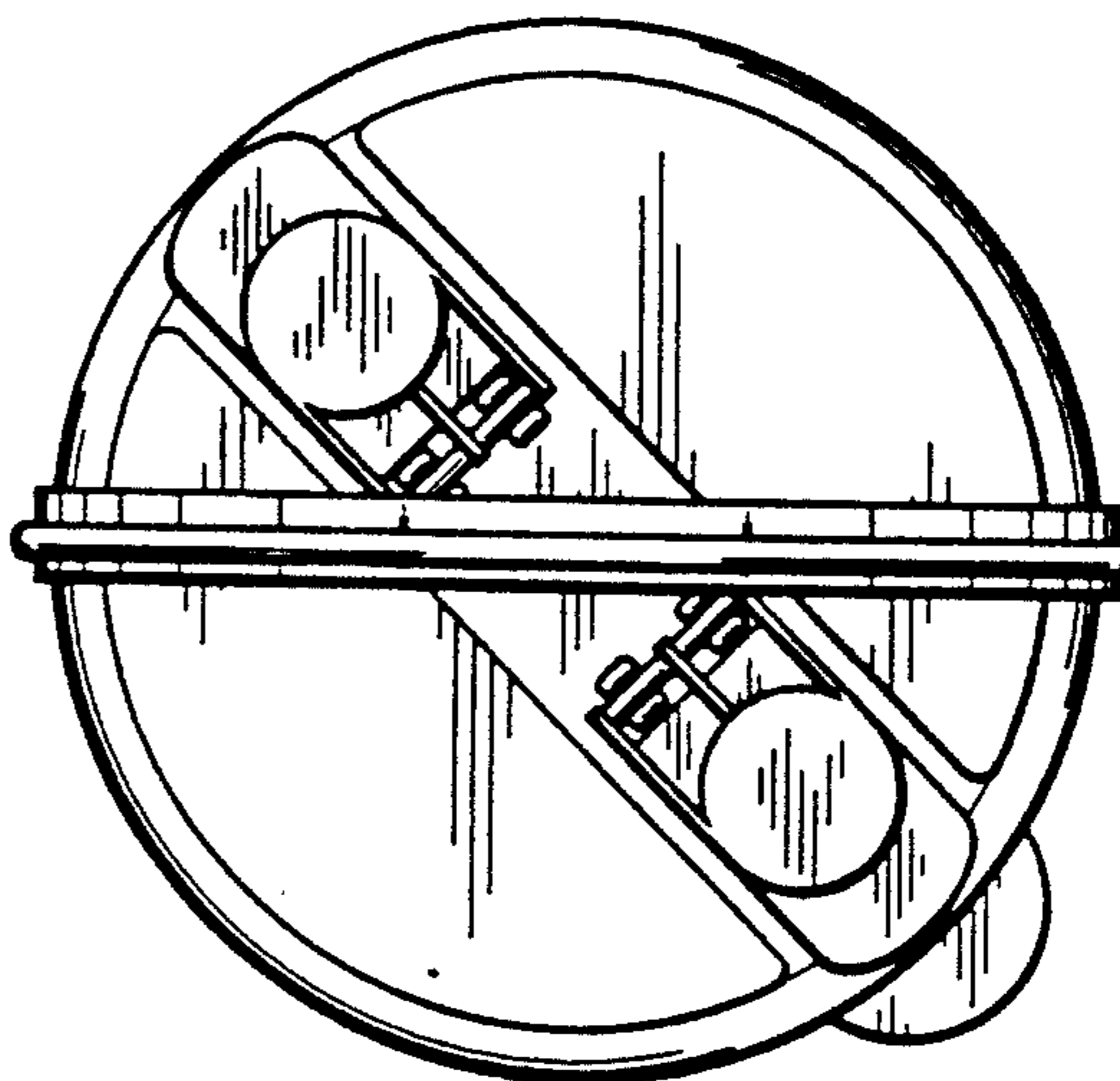
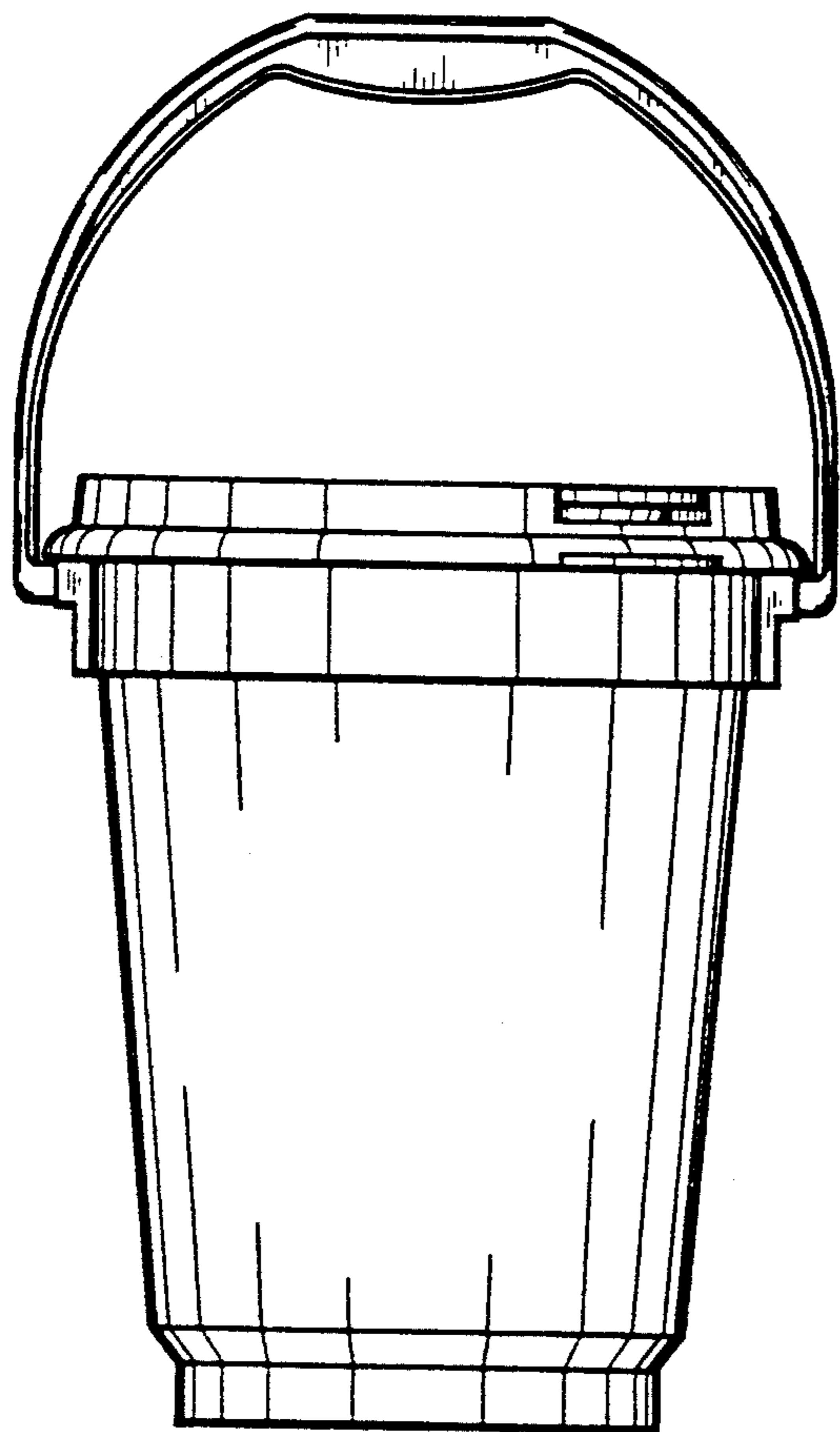
Primary Examiner—Alan P. Douglas
Assistant Examiner—M. N. Pandozzi
Attorney, Agent, or Firm—Reed Smith Shaw & McClay

[57] **CLAIM**

The ornamental design for a beverage container, as shown and described.

DESCRIPTION

FIG. 1 is a side view of the beverage container; FIG. 2 is a top view of the beverage container; FIG. 3 is a bottom view of the beverage container; FIG. 4 is a top view of the beverage container; and, FIG. 5 is a side view of the beverage container at 90 degrees that shown in FIG. 1, with the lids in open position.



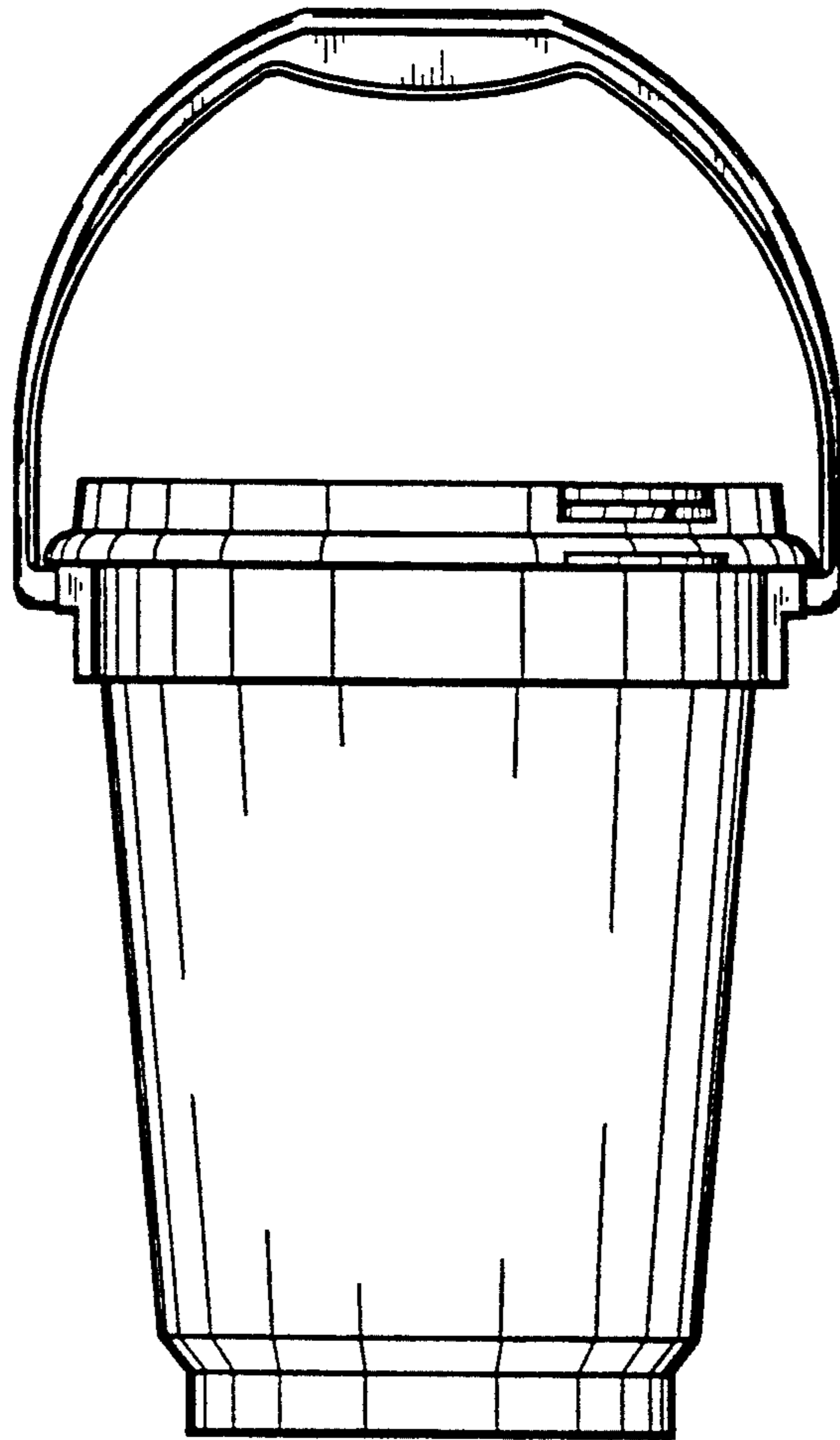


FIG. 1

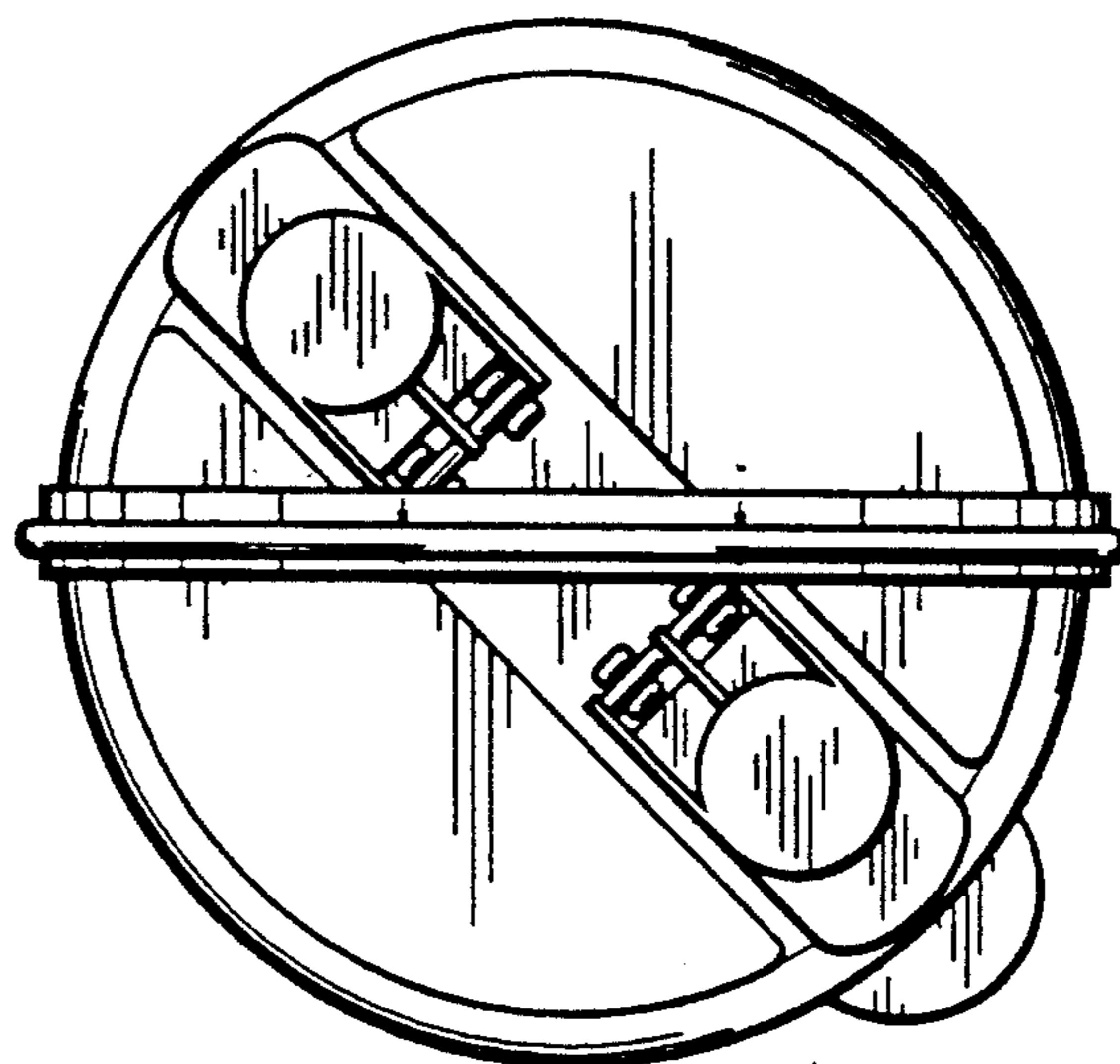


FIG. 2

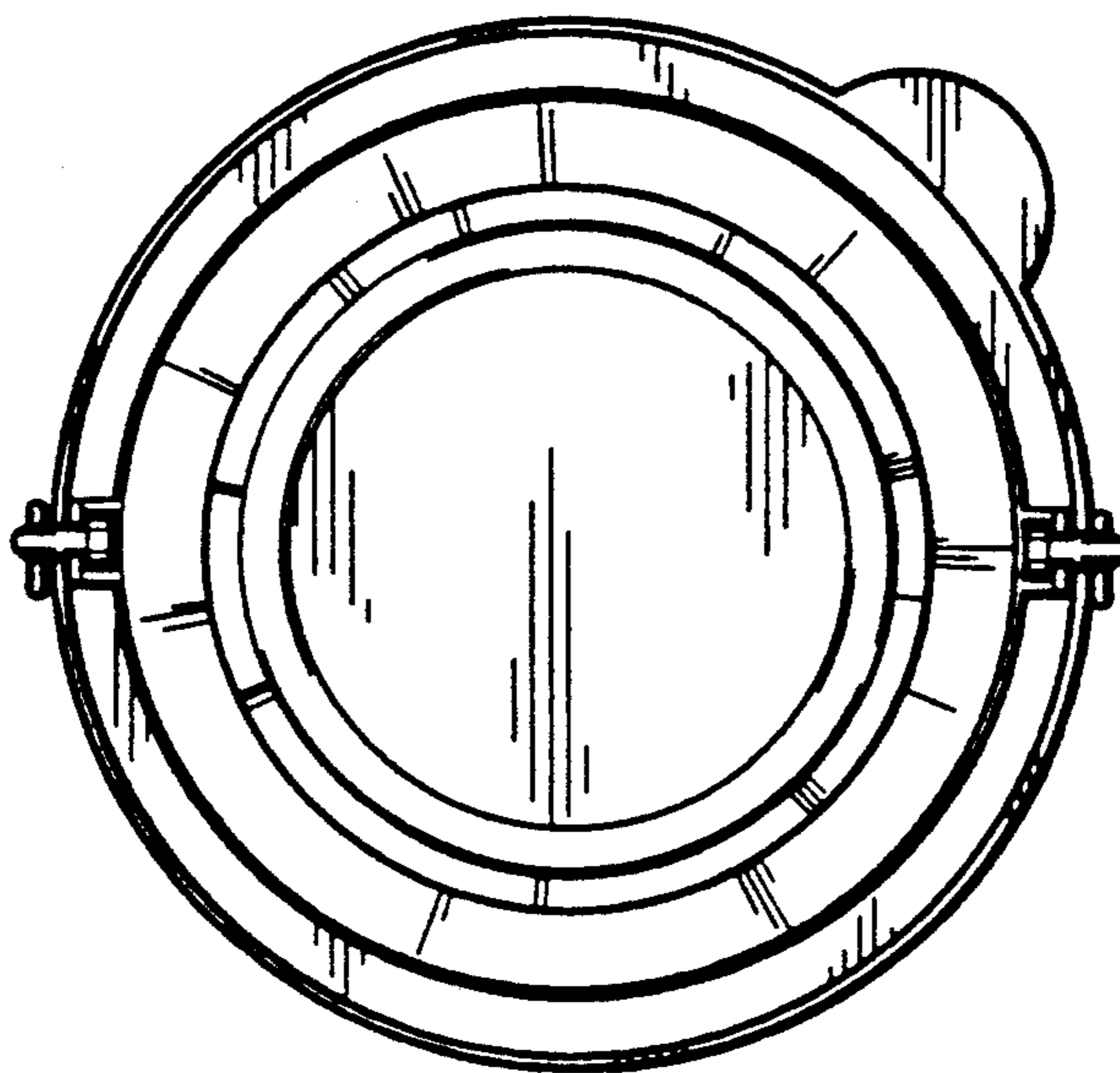


FIG. 3

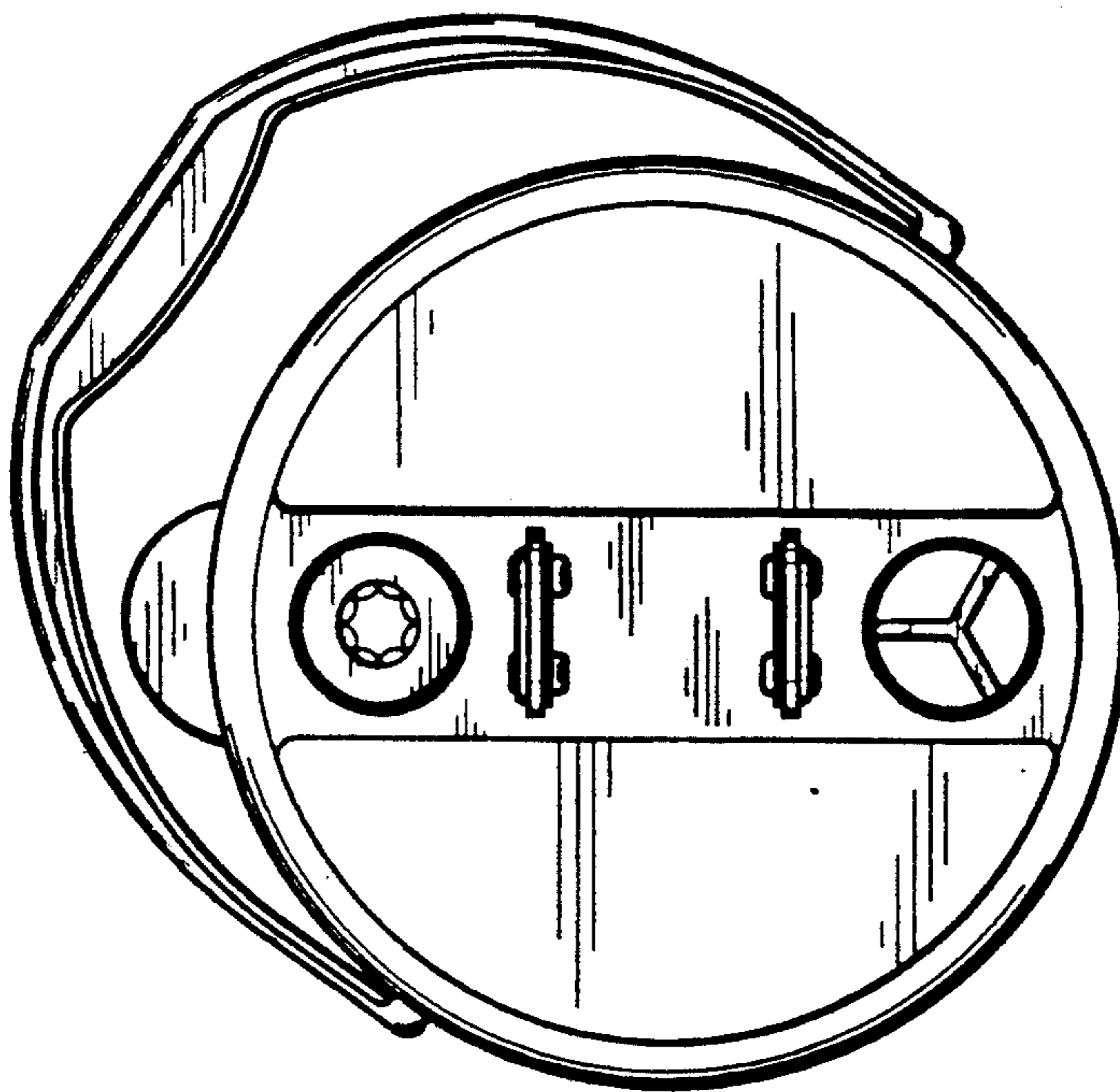


FIG. 4

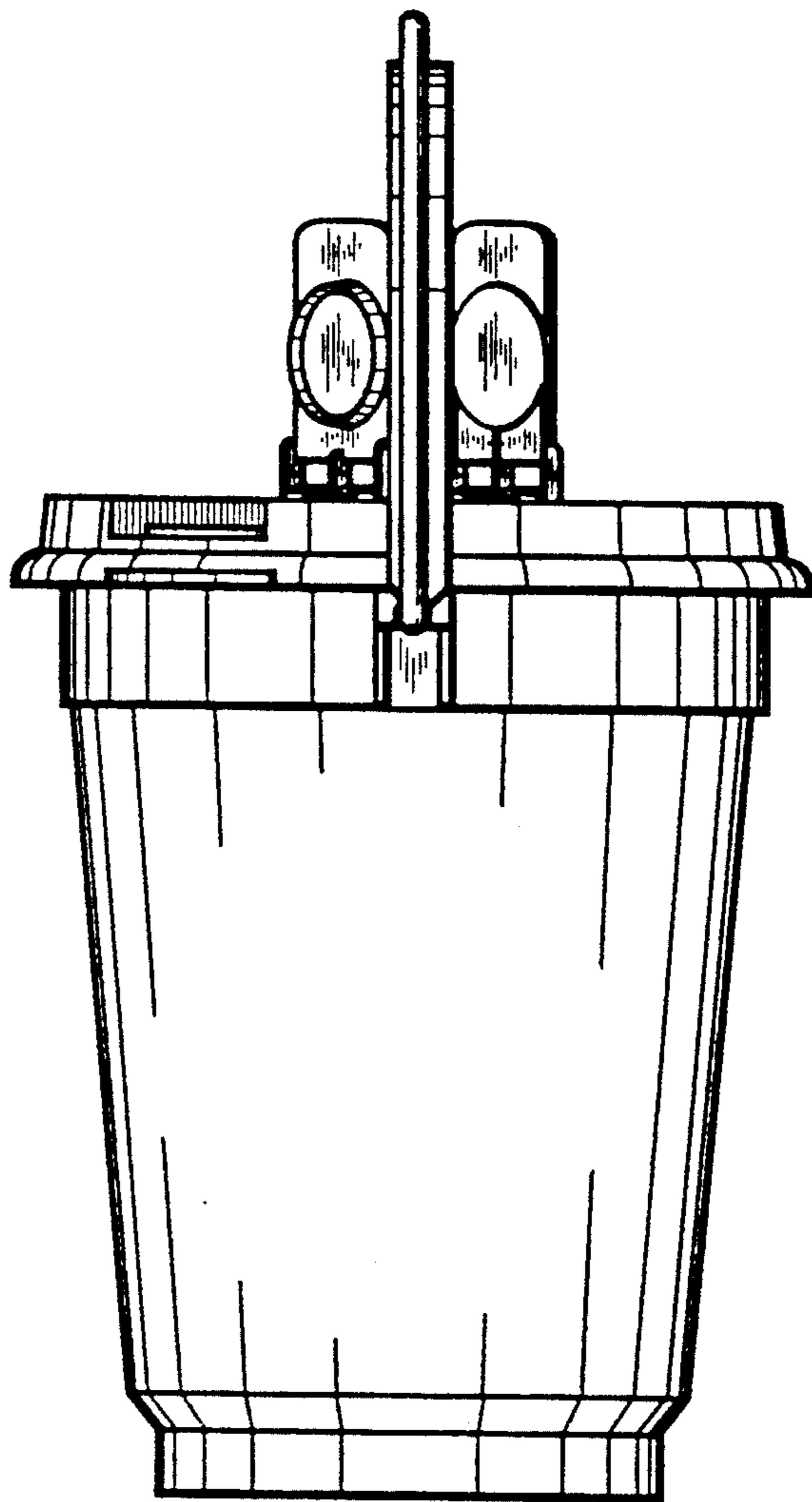


FIG. 5