



US00D348165S

United States Patent [19]

Walaski

[11] Patent Number: **Des. 348,165**

[45] Date of Patent: **** Jun. 28, 1994**

[54] **PLANT HANGER**

[76] Inventor: **Lori A. Walaski**, 1 Broad Pkwy.,
White Plains, N.Y. 10601

[**] Term: **14 Years**

[21] Appl. No.: **1,553**

[22] Filed: **Nov. 18, 1992**

[52] U.S. Cl. **D6/556; D6/513;**
D6/566

[58] Field of Search **D6/513-514,**
D6/546, 552, 556, 566, 567; D8/367, 373;
211/86, 113, 116, 181; 248/49, 58, 176, 251,
302-304, 317, 339, 214-215

[56] **References Cited**

U.S. PATENT DOCUMENTS

D. 245,892 9/1977 Yocum D6/513

D. 300,302	3/1989	Possemato	D8/367
829,239	8/1906	Thompson et al.	248/215
2,936,076	5/1960	Harris	211/113
4,008,871	2/1977	Rex	248/304
4,098,483	7/1978	Pesola et al.	248/304
4,407,478	10/1983	Hodges	248/58 X

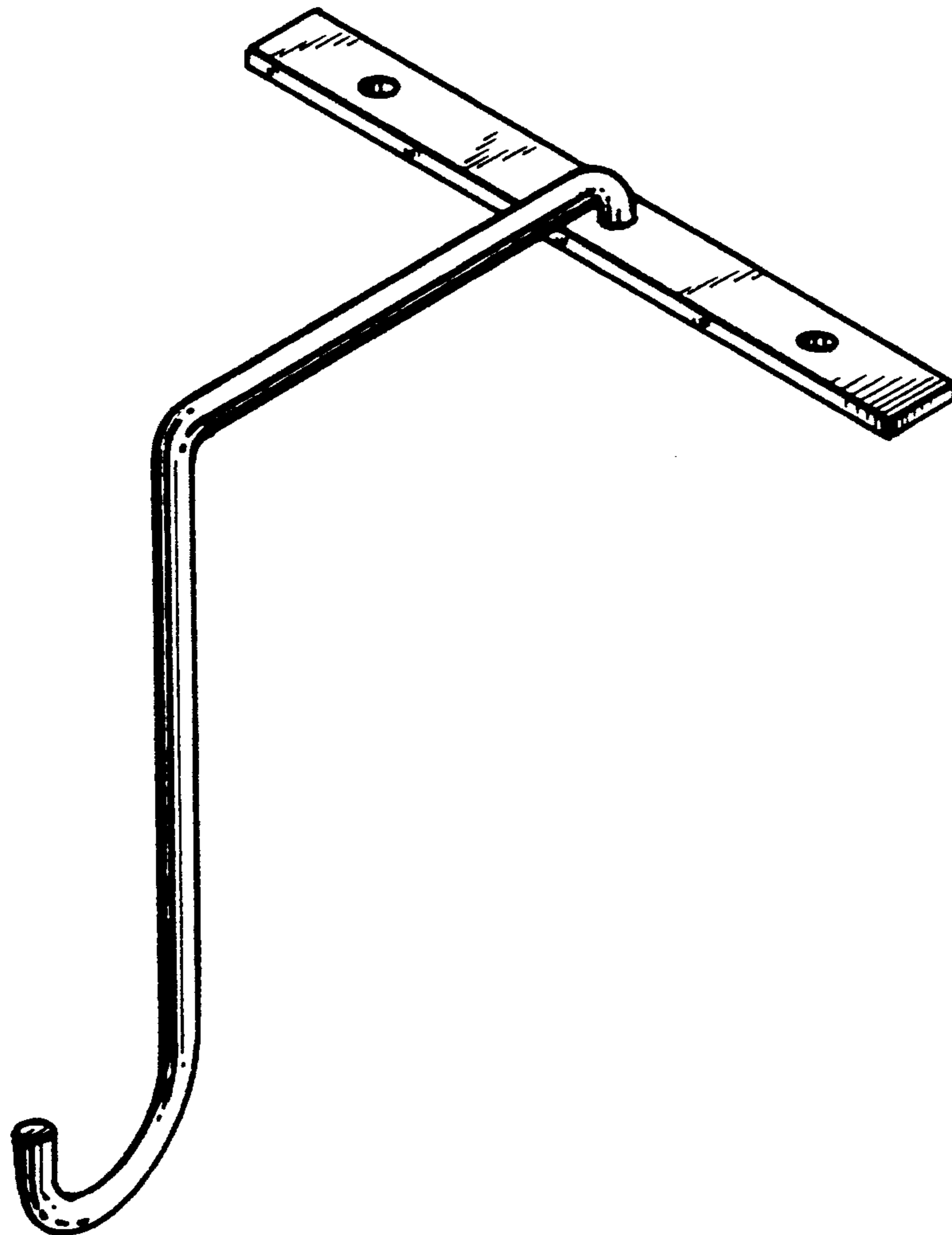
Primary Examiner—Brian N. Vinson
Attorney, Agent, or Firm—Martin J. Spellman, Jr.

[57] **CLAIM**

The ornamental design for a plant hanger, as shown.

DESCRIPTION

FIG. 1 is a top, front, and right side perspective view of a plant hanger showing my new design;
FIG. 2 is a front elevational view thereof;
FIG. 3 is a left side elevational view thereof;
FIG. 4 is a top plan view thereof;
FIG. 5 is a rear elevational view thereof; and,
FIG. 6 is a bottom plan view thereof.



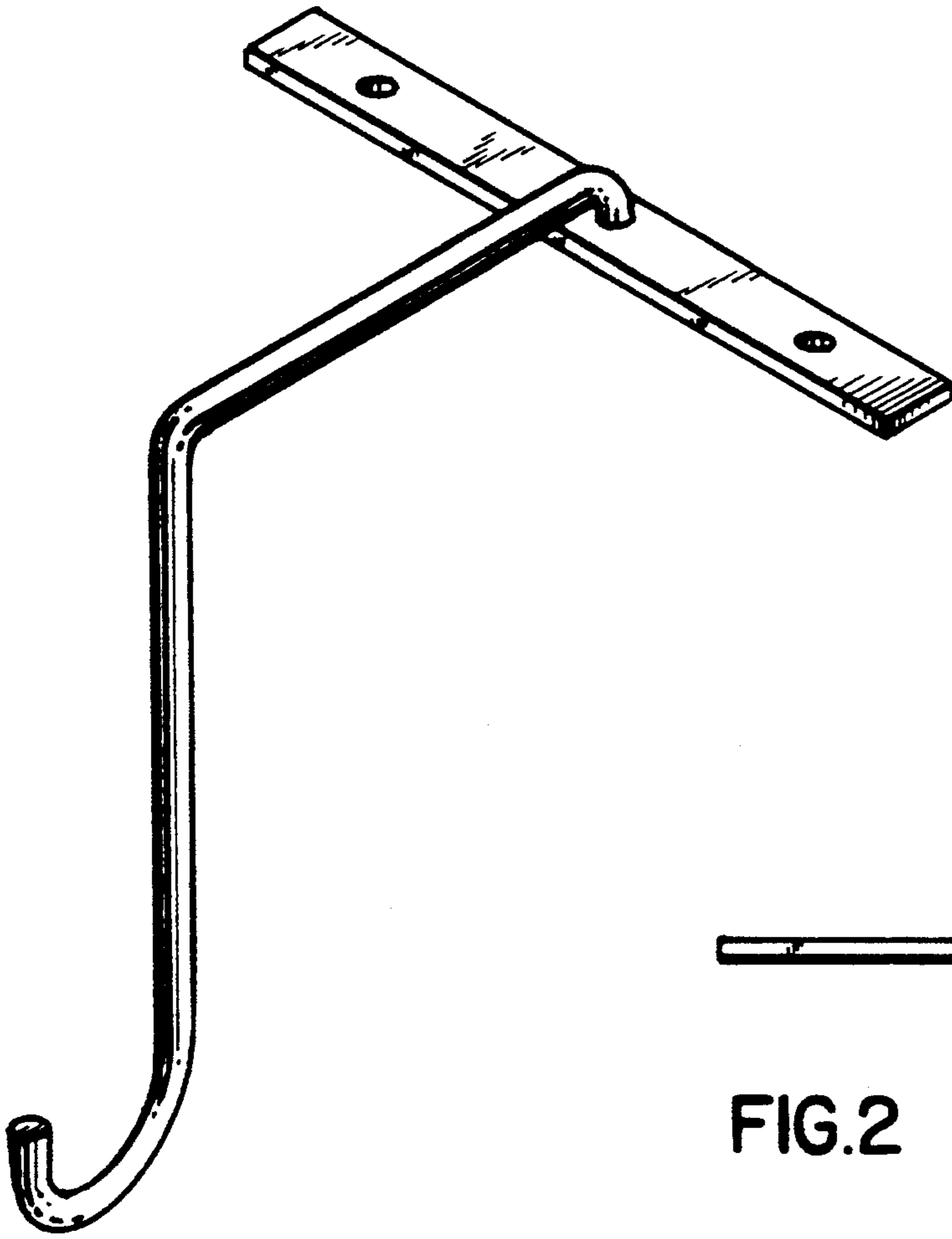


FIG. 1

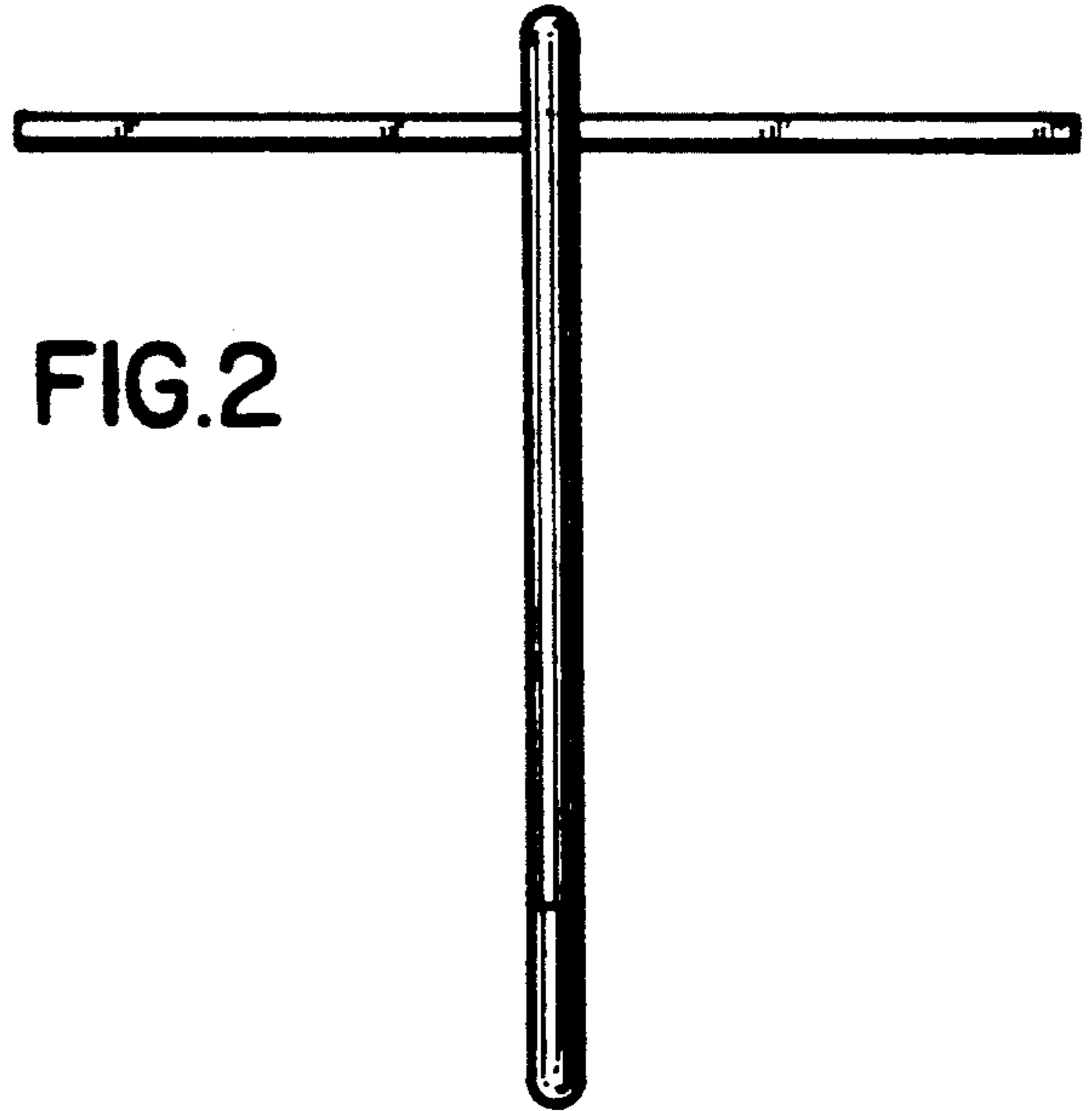


FIG. 2

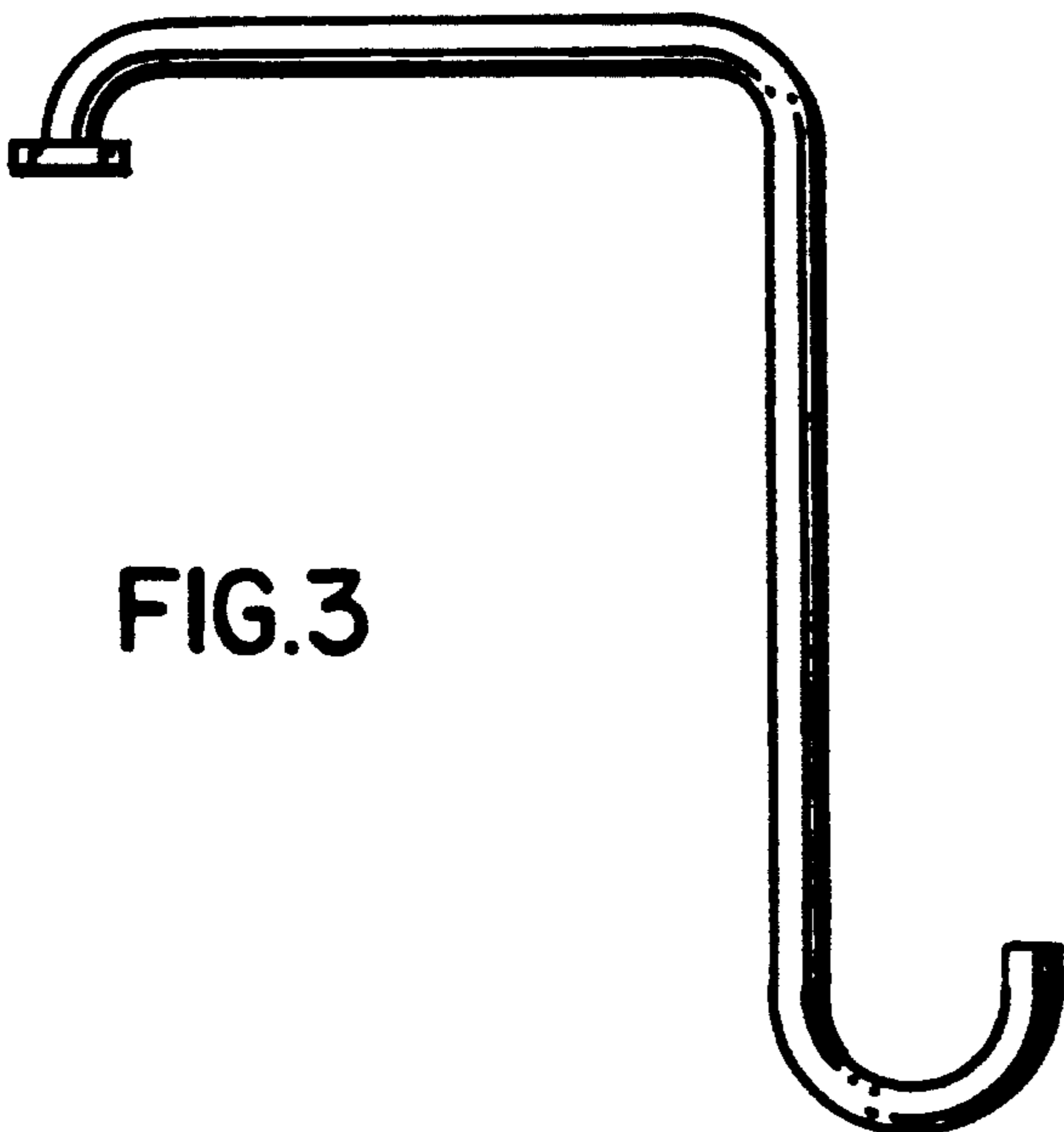


FIG. 3

FIG.4

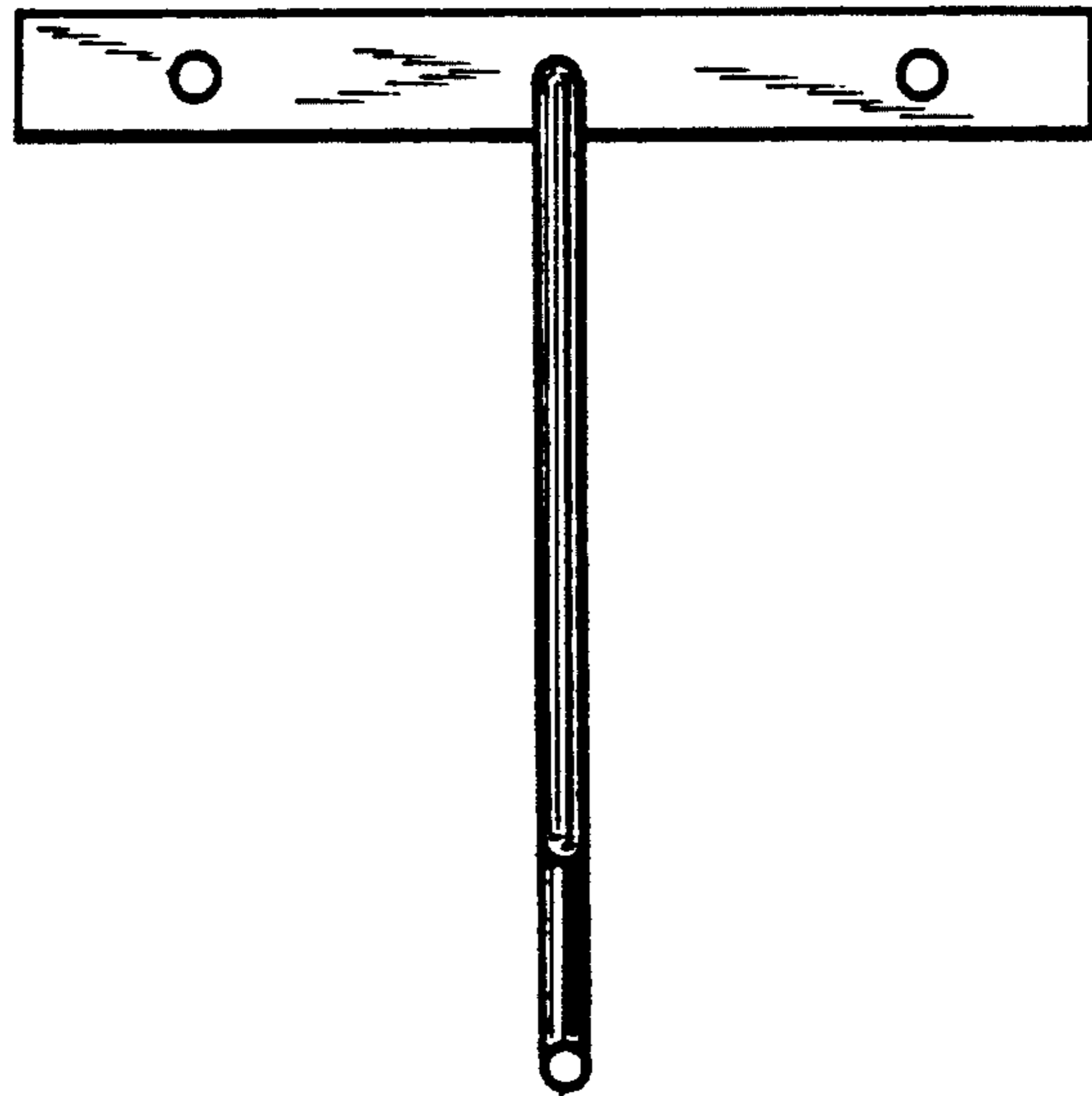


FIG.5

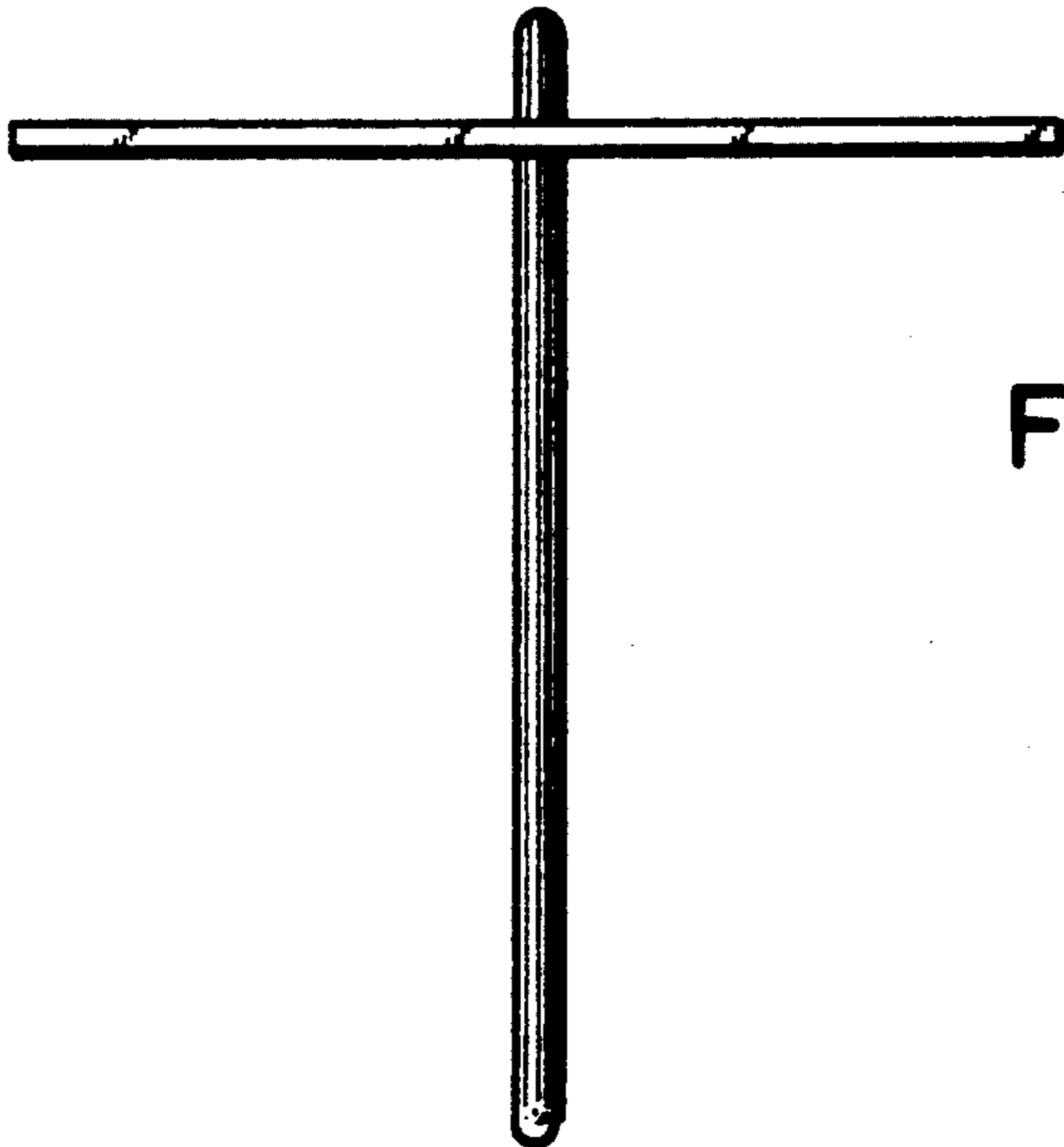


FIG.6

