



US00D348163S

United States Patent [19]

[11] Patent Number: **Des. 348,163**

Akins

[45] Date of Patent: **** Jun. 28, 1994**

[54] **FURNITURE SPRING ASSEMBLY**

[76] Inventor: **William Akins, 4690 Akins Rd.,
Cunningham, Tenn. 37052**

2,985,230 5/1961 Stern 267/94 X
3,140,851 7/1964 Bilancia .
3,261,037 7/1966 Cermak et al. 267/105 X
3,858,862 1/1975 Crampa et al. 267/100

[**] Term: **14 Years**

Primary Examiner—Nelson C. Holtje
Assistant Examiner—J. E. Seeger
Attorney, Agent, or Firm—Terry M. Gernstein

[21] Appl. No.: **3,530**

[22] Filed: **Jan. 14, 1993**

[52] U.S. Cl. **D6/504**

[58] Field of Search **D6/500-502,
D6/504; 5/256, 257, 248, 247; 267/87, 89, 94,
95, 100, 101, 103**

[57] **CLAIM**

The ornamental design for a furniture spring assembly, as shown and described.

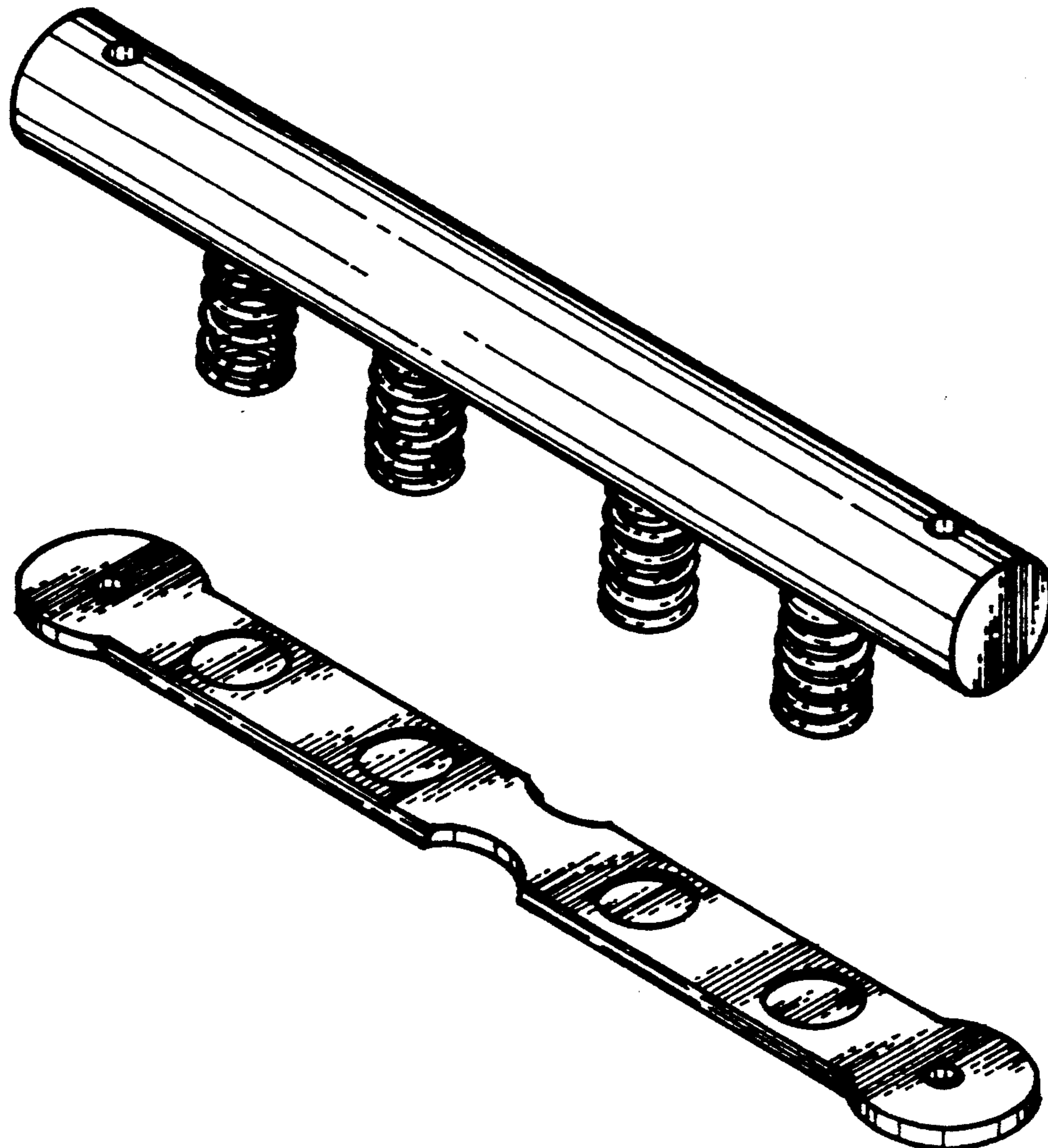
[56] **References Cited**

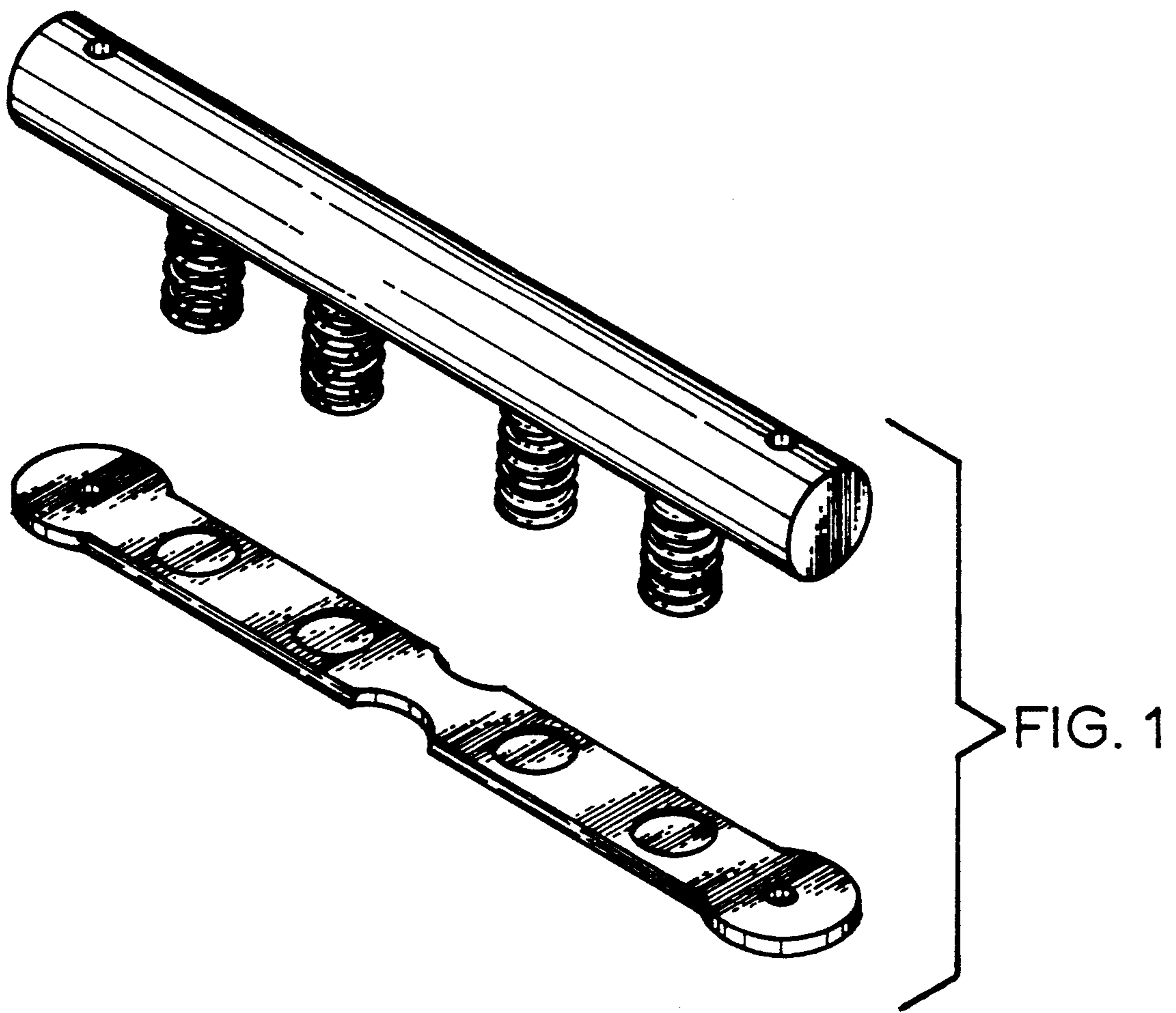
U.S. PATENT DOCUMENTS

179,257 6/1876 Birk 5/255
371,448 10/1887 Hale 267/94
573,921 12/1896 Ridge 5/255 X
2,265,532 12/1941 Levine 267/100
2,267,668 12/1941 Randolph .
2,300,422 11/1942 Hickman .
2,892,482 6/1959 Beoletto .

DESCRIPTION

FIG. 1 is an exploded top, end and side perspective view of the furniture spring assembly showing my new design;
FIG. 2 is a front elevational view thereof, the rear being a mirror image of the front shown in FIG. 2;
FIG. 3 is a side elevational view thereof, the side opposite being a mirror image of the side shown in FIG. 3;
FIG. 4 is a top plan view thereof; and,
FIG. 5 is a bottom plan view thereof.





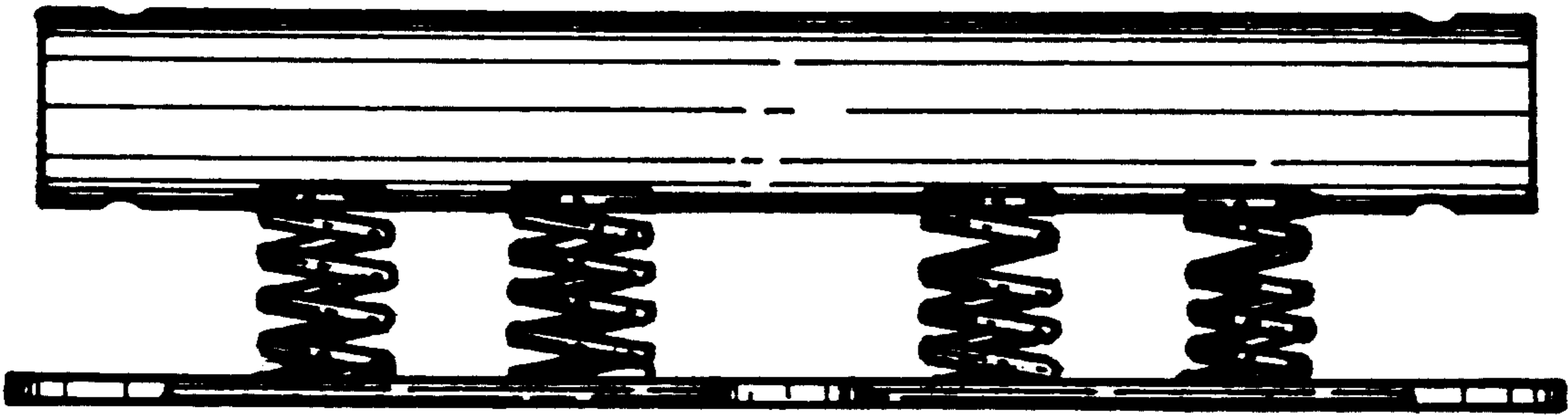


FIG. 2

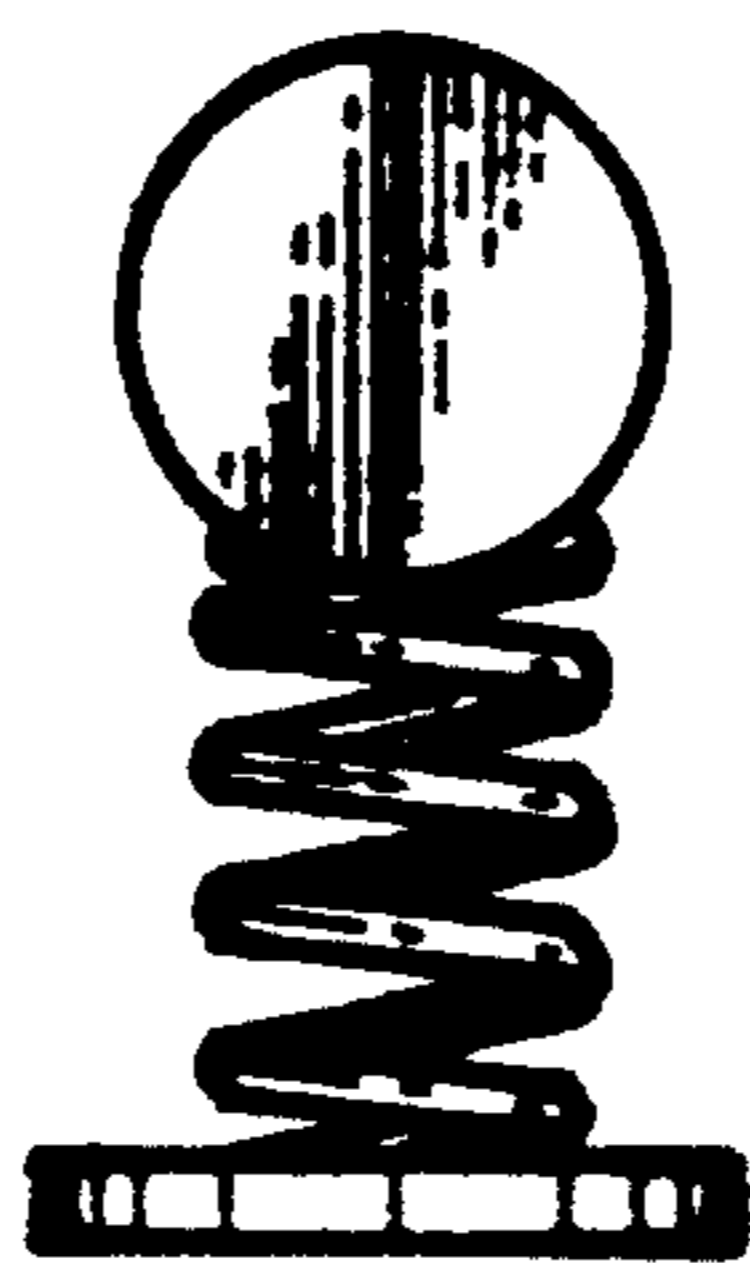


FIG. 3

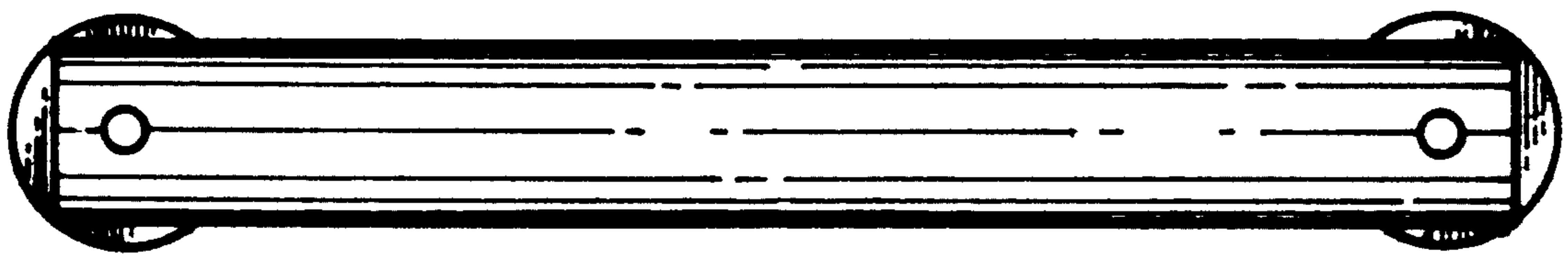


FIG. 4

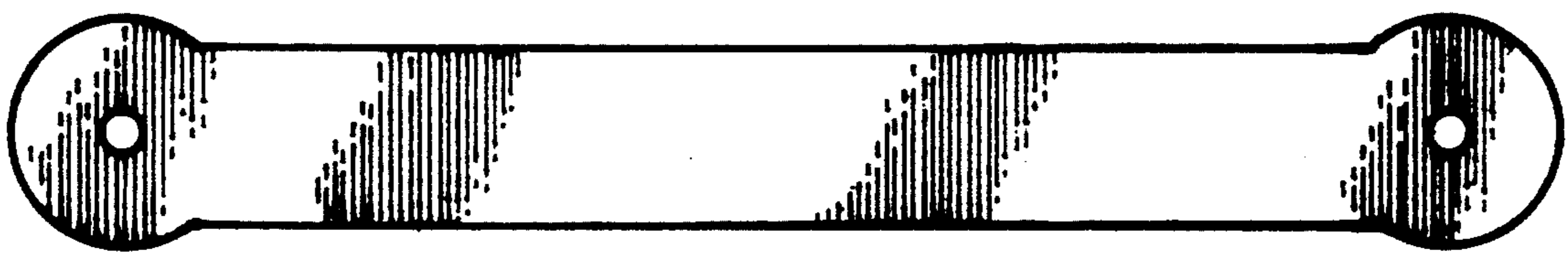


FIG. 5