



US00D348159S

United States Patent [19]

[11] Patent Number: **Des. 348,159**

Krippelz, Jr. et al.

[45] Date of Patent: **** Jun. 28, 1994**

[54] **ROTO DISPLAY**

[76] Inventors: **Jake Krippelz, Jr.**, 33 Windwood Dr., Aurora, Ill. 40200; **John Baldwin**, 28 W. 456 Batavia Rd., (P.O. Box 26), Warrenville, Ill. 60555

[**] Term: **14 Years**

[21] Appl. No.: **829,689**

[22] Filed: **Feb. 4, 1992**

[52] U.S. Cl. **D6/457; D15/140; D15/147**

[58] Field of Search **D6/449, 455, 457-461, D6/473; D7/501; 211/13, 163, 131; D15/147, 199, 140**

[56] **References Cited**

U.S. PATENT DOCUMENTS

D. 63,058 9/1923 Neahr D6/455
D. 108,932 3/1938 De Foe D15/147

D. 221,813 9/1971 Patrick D6/455 X
D. 237,106 10/1975 Baljet et al. D15/147
D. 292,803 11/1987 Powell D15/147
D. 297,897 10/1988 Stackhouse D7/501

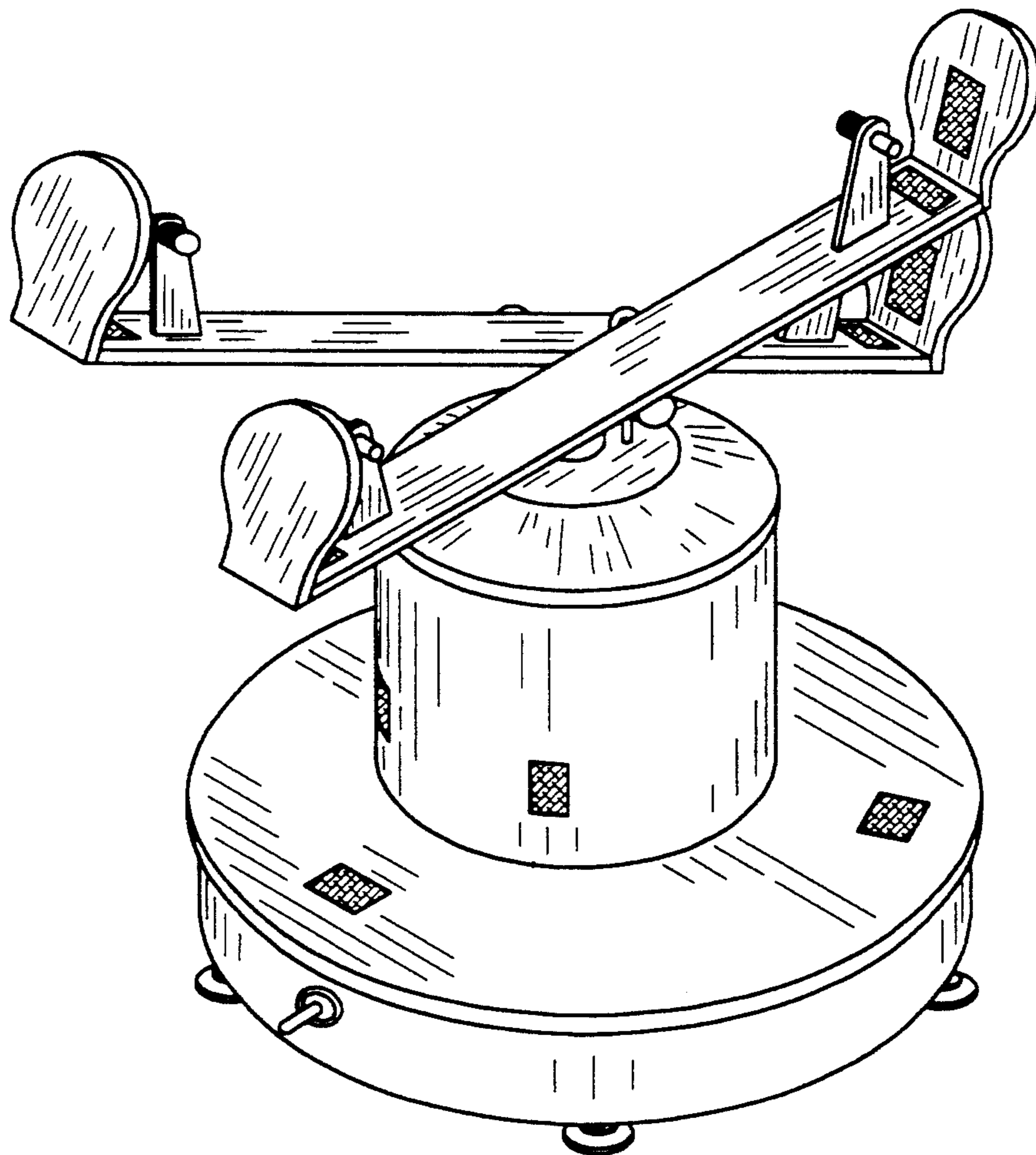
Primary Examiner—Nelson C. Holtje
Assistant Examiner—Jeffrey Asch
Attorney, Agent, or Firm—Patnaude, Videbeck & Marsh

[57] **CLAIM**

The ornamental design for a roto display, as shown and described.

DESCRIPTION

FIG. 1 is a front elevational view of a roto display showing our new design;
FIG. 2 is a left side elevational view thereof;
FIG. 3 is a right side elevational view thereof;
FIG. 4 is a top plan view thereof;
FIG. 5 is a rear elevational view thereof;
FIG. 6 is a bottom plan view thereof; and,
FIG. 7 is a perspective view thereof.



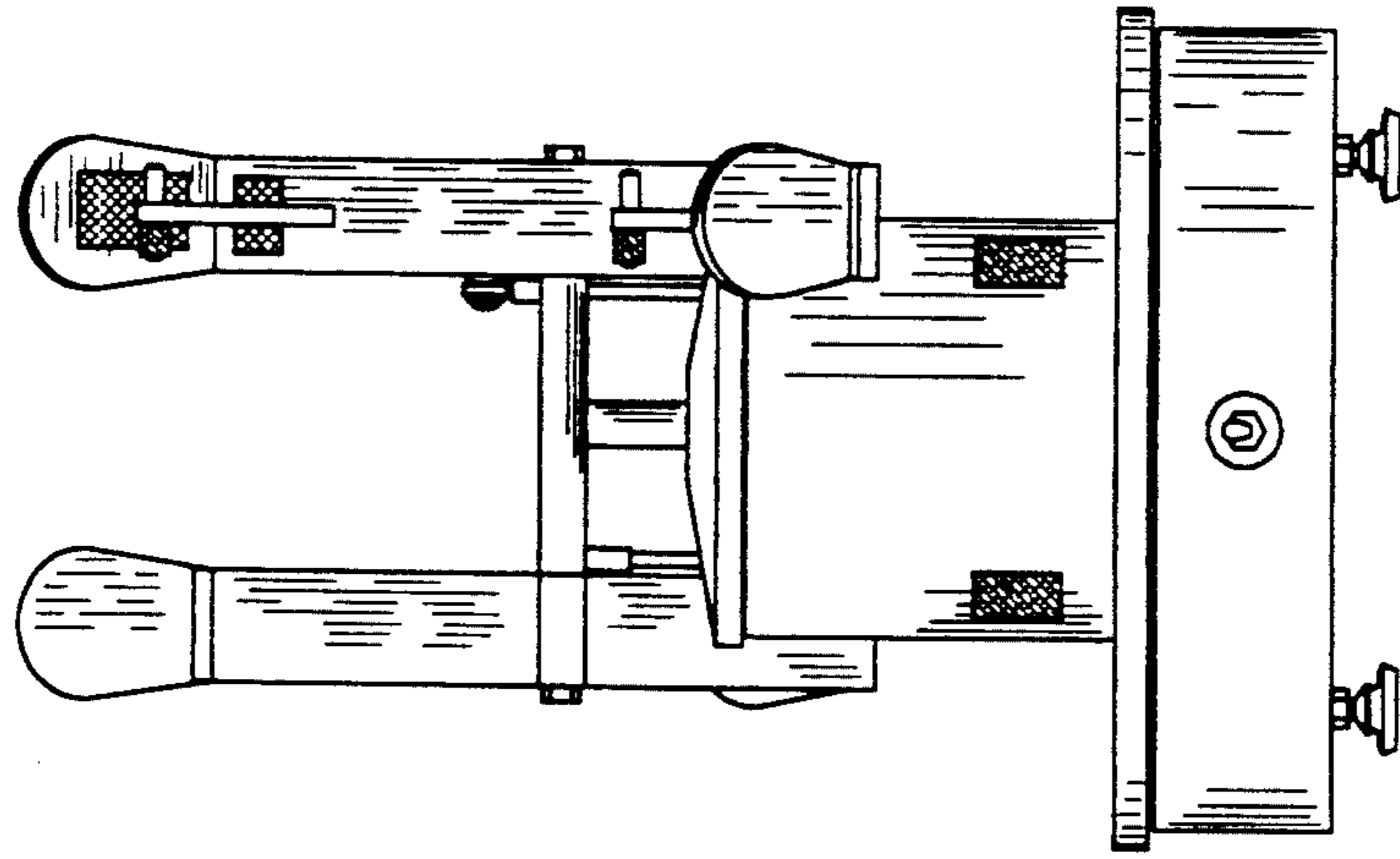


FIG. 3

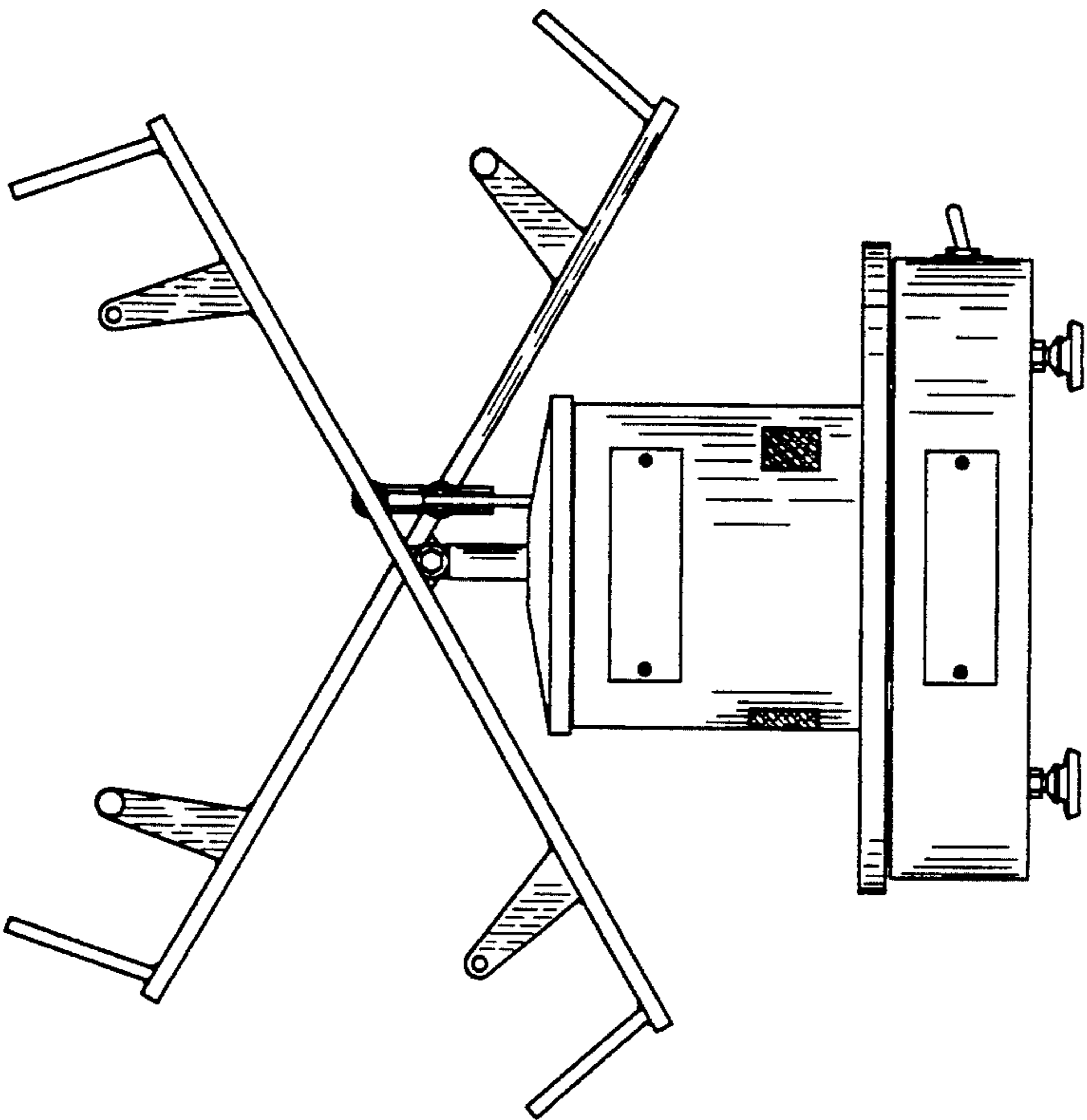


FIG. 1

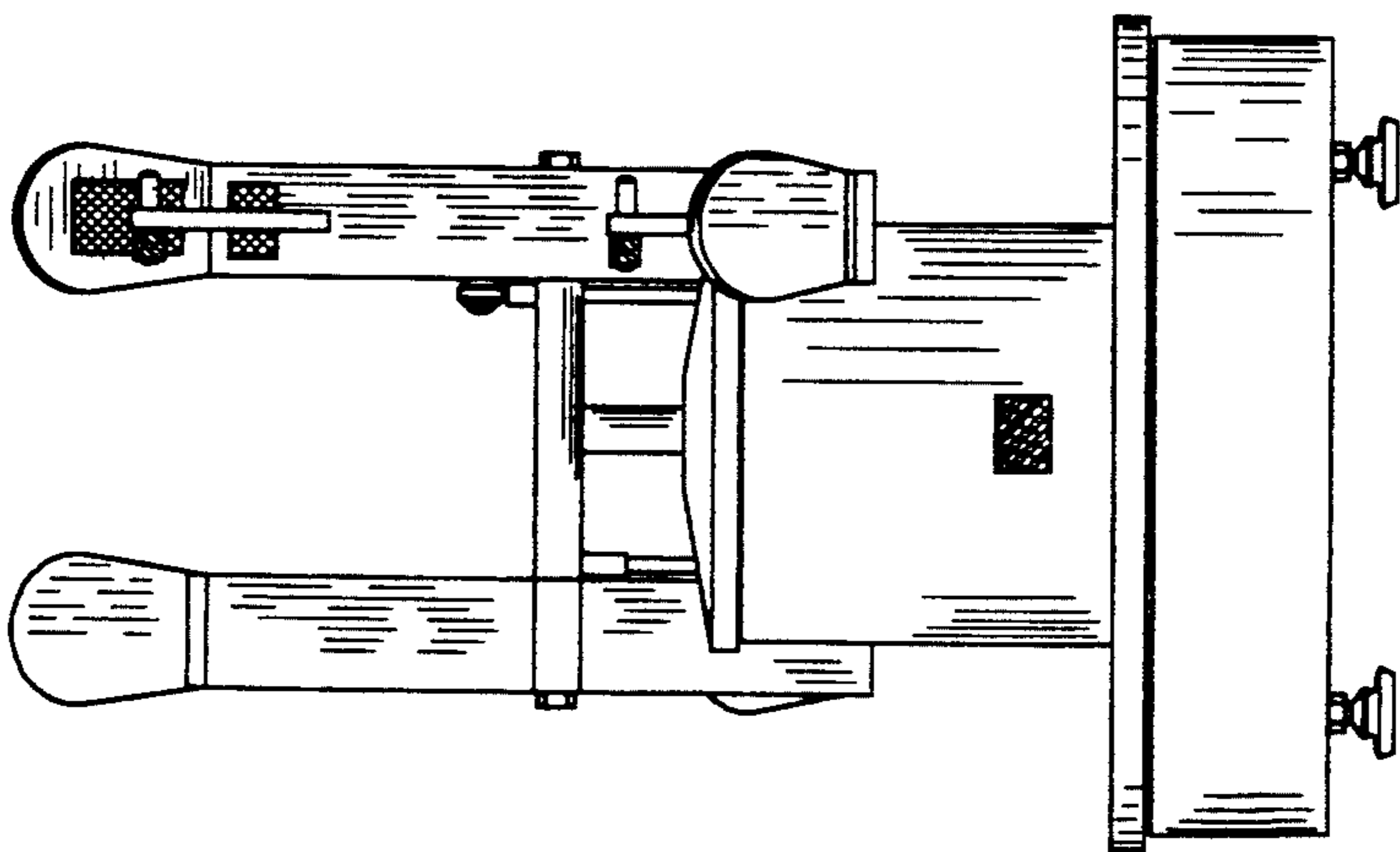


FIG. 2

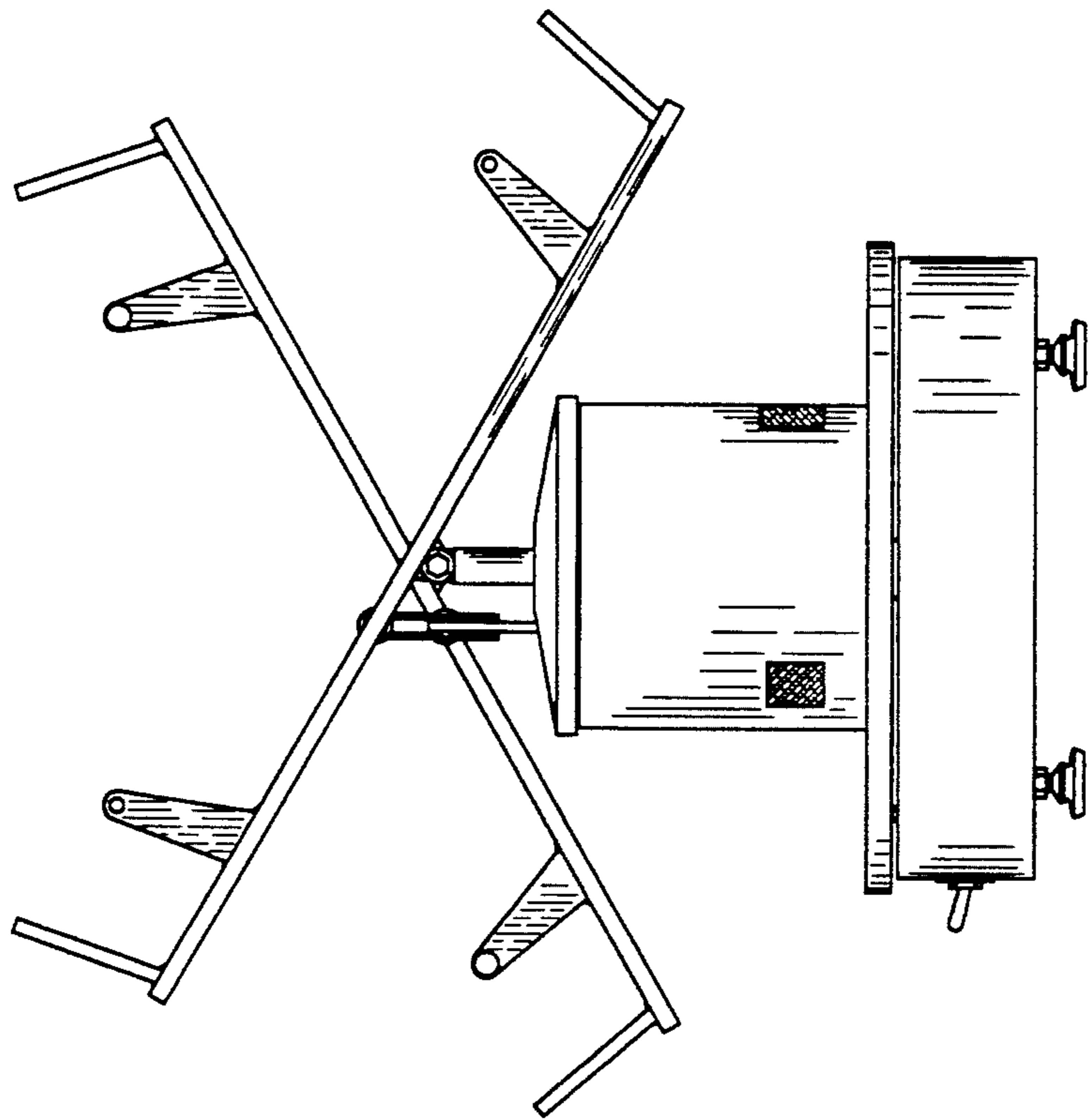


FIG. 5

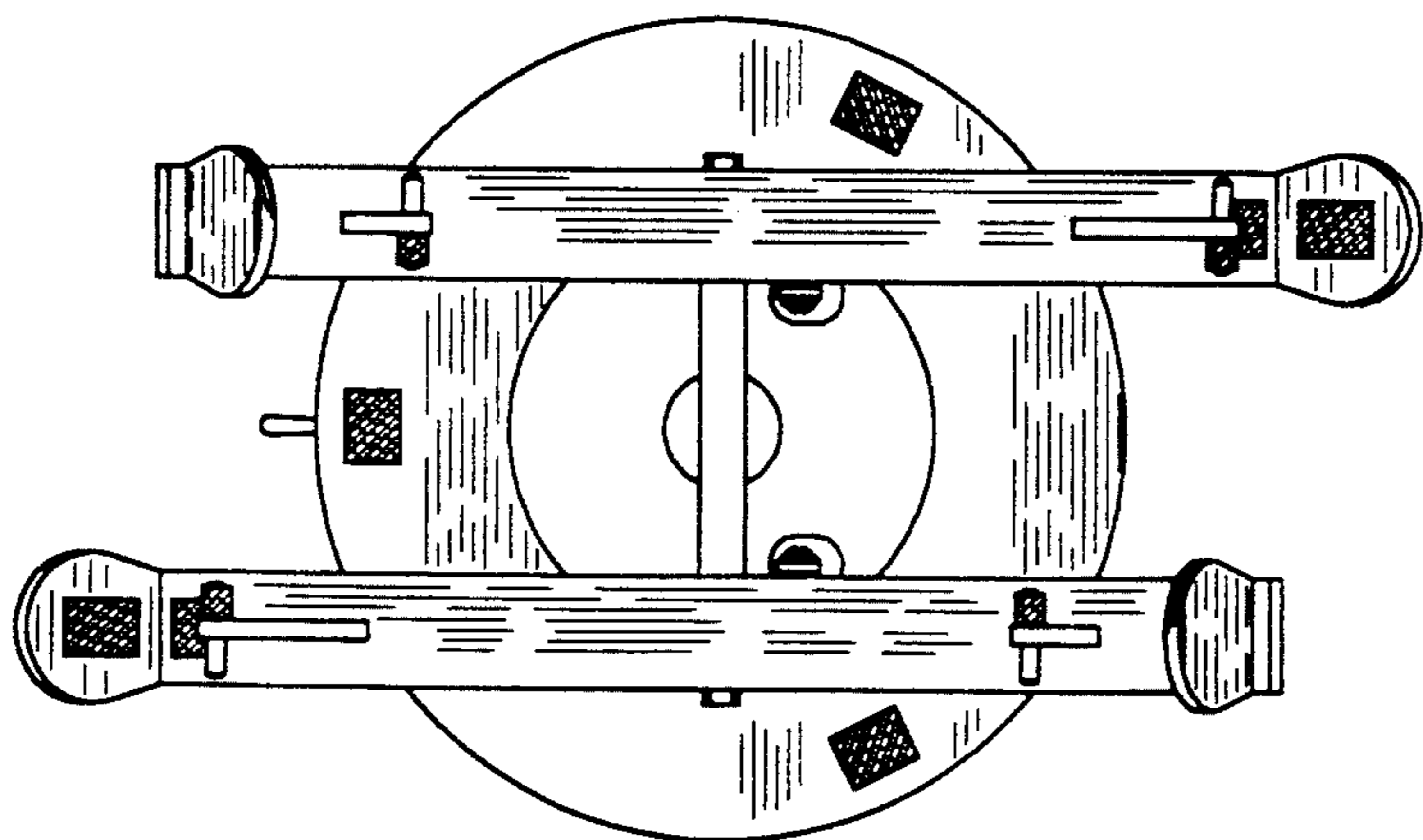


FIG. 4

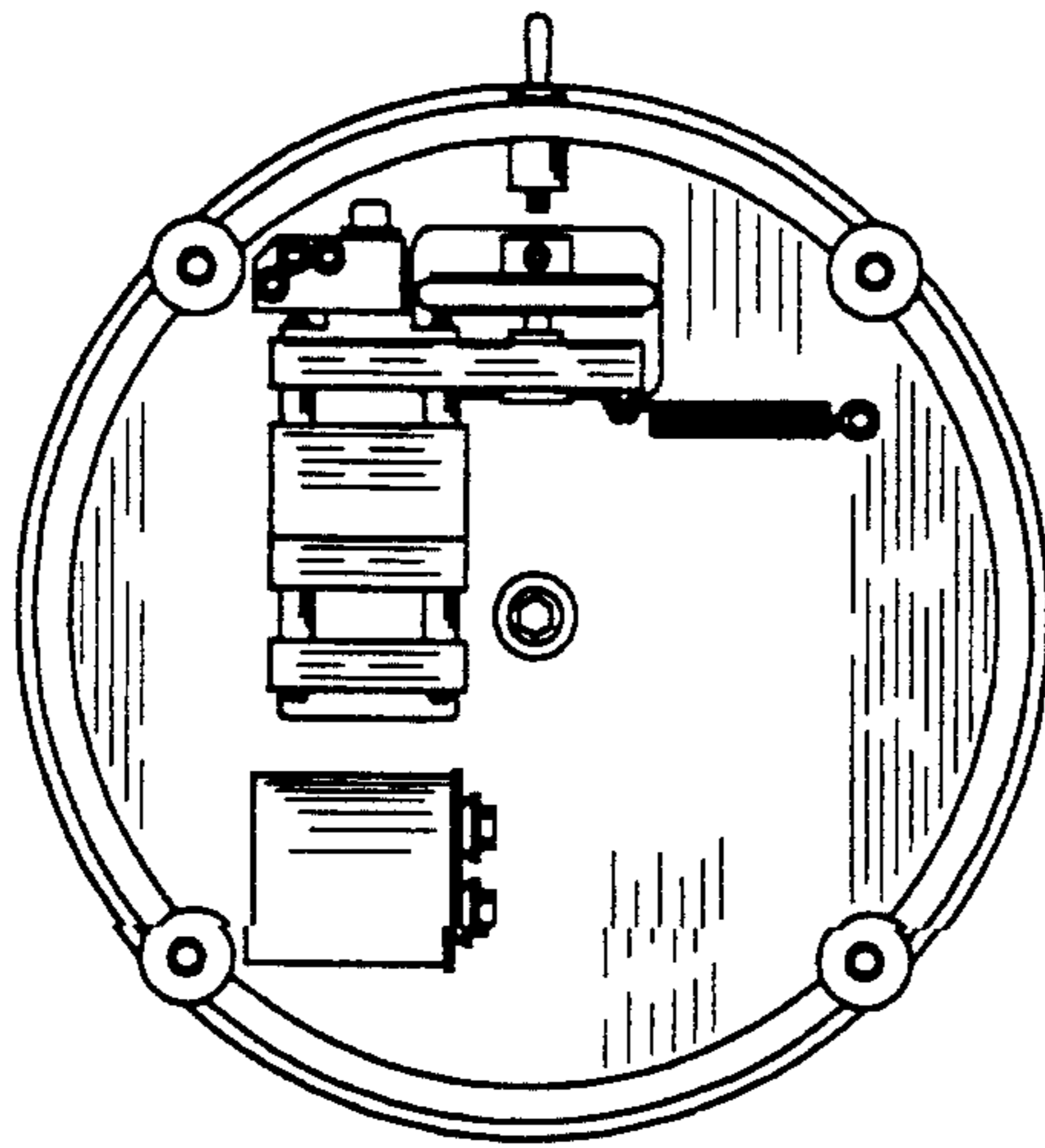


FIG. 6

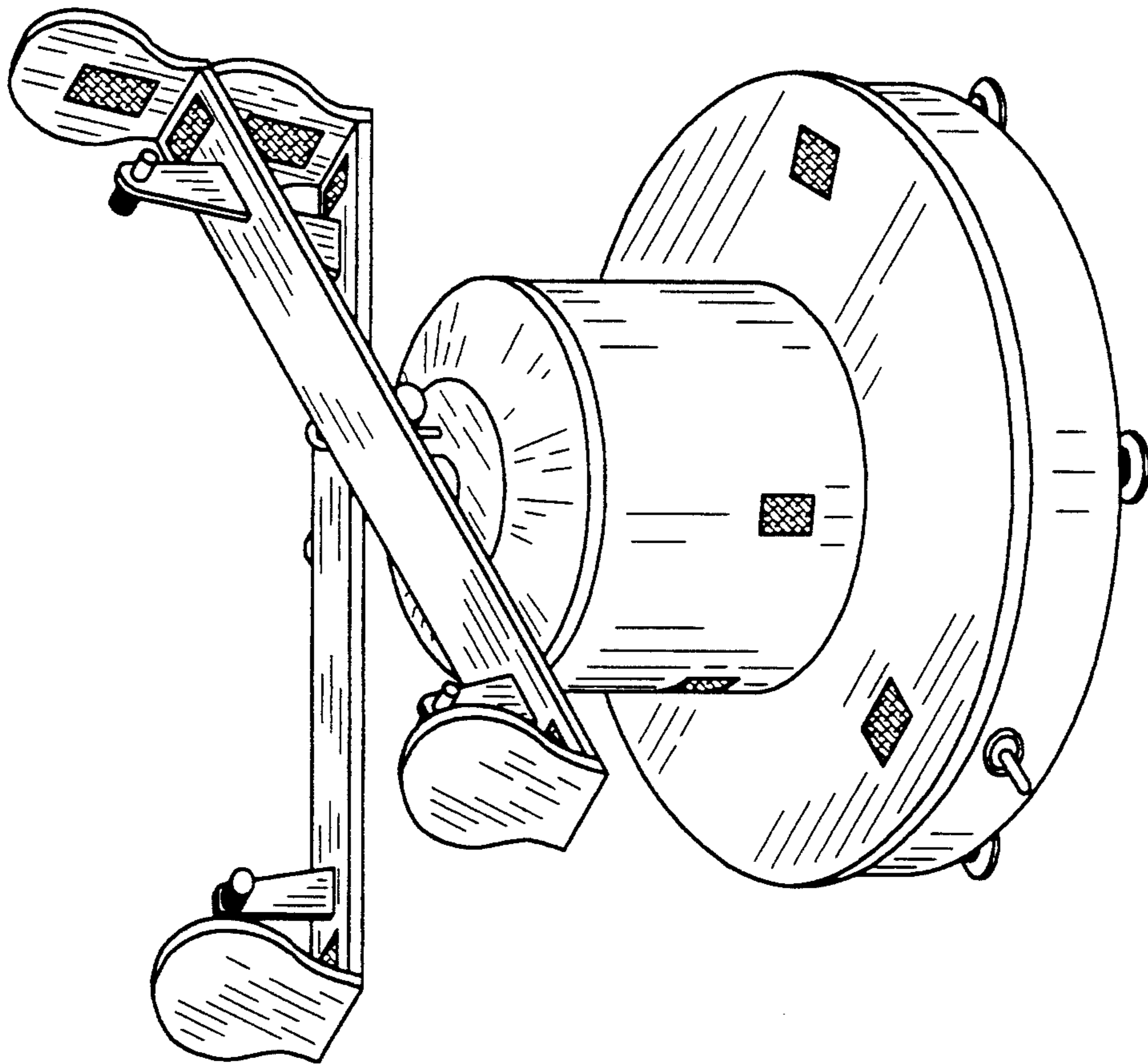


FIG. 7