



US00D348152S

United States Patent [19].

[11] Patent Number: **Des. 348,152**

Roeper et al.

[45] Date of Patent: **** Jun. 28, 1994**

[54] **TOOL BOX**

[75] Inventors: **Dieter Roeper, Ulm; Alexander Trojan, Köln, both of Fed. Rep. of Germany**

[73] Assignee: **Paratwerk Schonebach GmbH & Co. KG, Remscheid, Fed. Rep. of Germany**

[**] Term: **14 Years**

[21] Appl. No.: **922,335**

[22] Filed: **Jul. 30, 1992**

[30] **Foreign Application Priority Data**

Feb. 10, 1992 [DE] Fed. Rep. of Germany DM/021962

[52] U.S. Cl. **D3/282; D3/905**

[58] Field of Search **D3/78, 72, 75, 30.1; 312/902, 244, DIG. 33; 206/372, 373; 190/110-119, 902**

[56]

References Cited

U.S. PATENT DOCUMENTS

D. 143,173	12/1945	Tobey	D3/76
D. 259,524	6/1981	Erdman	D3/75
4,266,835	5/1981	Schmidt	D3/74 X
4,285,556	8/1981	Loeffel	D3/74 X

Primary Examiner—Bernard Ansher
Assistant Examiner—Paula Mortimer
Attorney, Agent, or Firm—Herbert Dubno

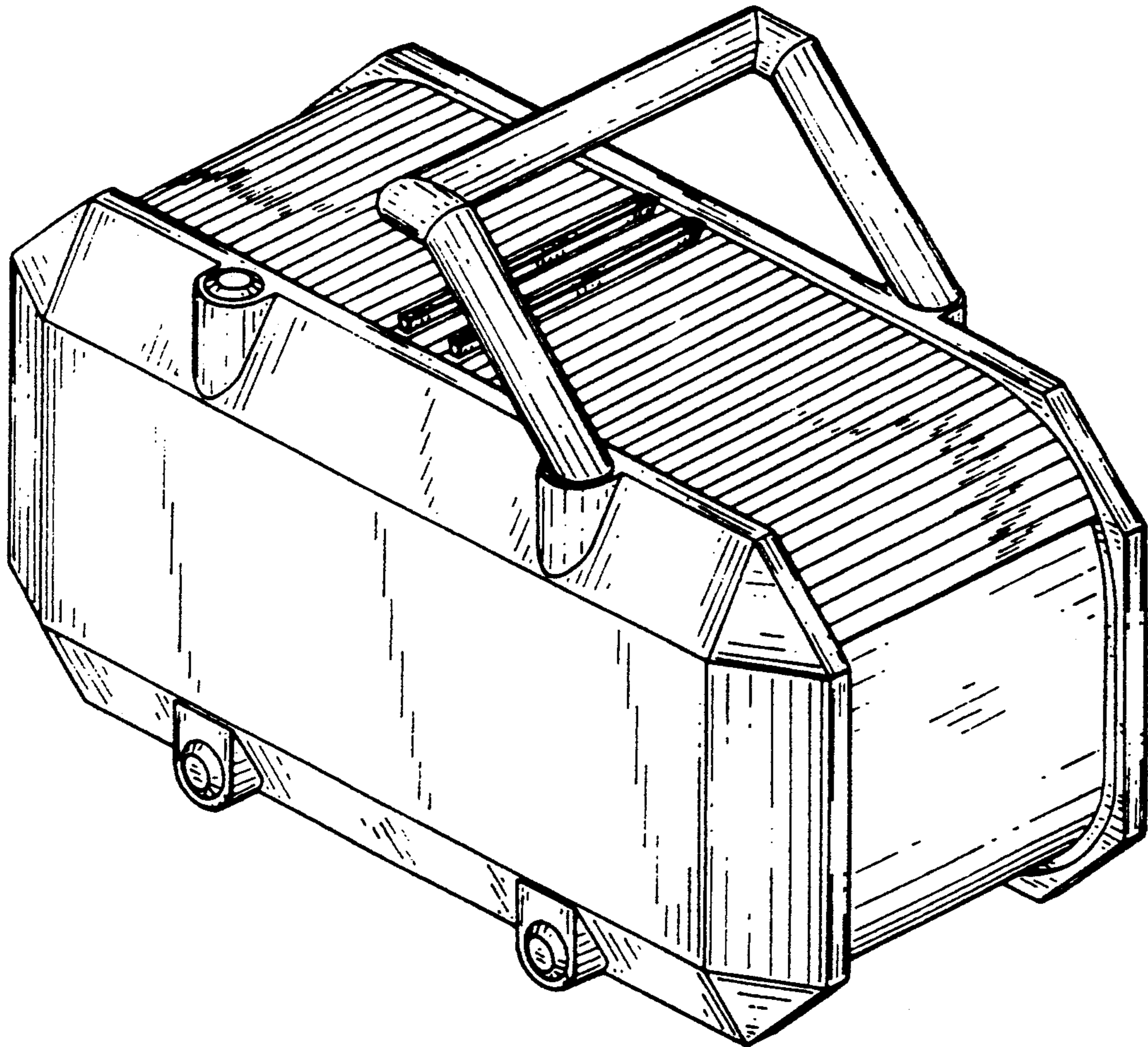
[57]

CLAIM

The ornamental design for a tool box, as shown and described.

DESCRIPTION

FIG. 1 is a perspective view showing the front, left side, and top of the tool box embodying my new design; FIG. 2 is a right side view thereof, the opposite side being mirror symmetrical thereto; FIG. 3 is a front view thereof; FIG. 4 is a top view thereof; and, FIG. 5 is a bottom view thereof.



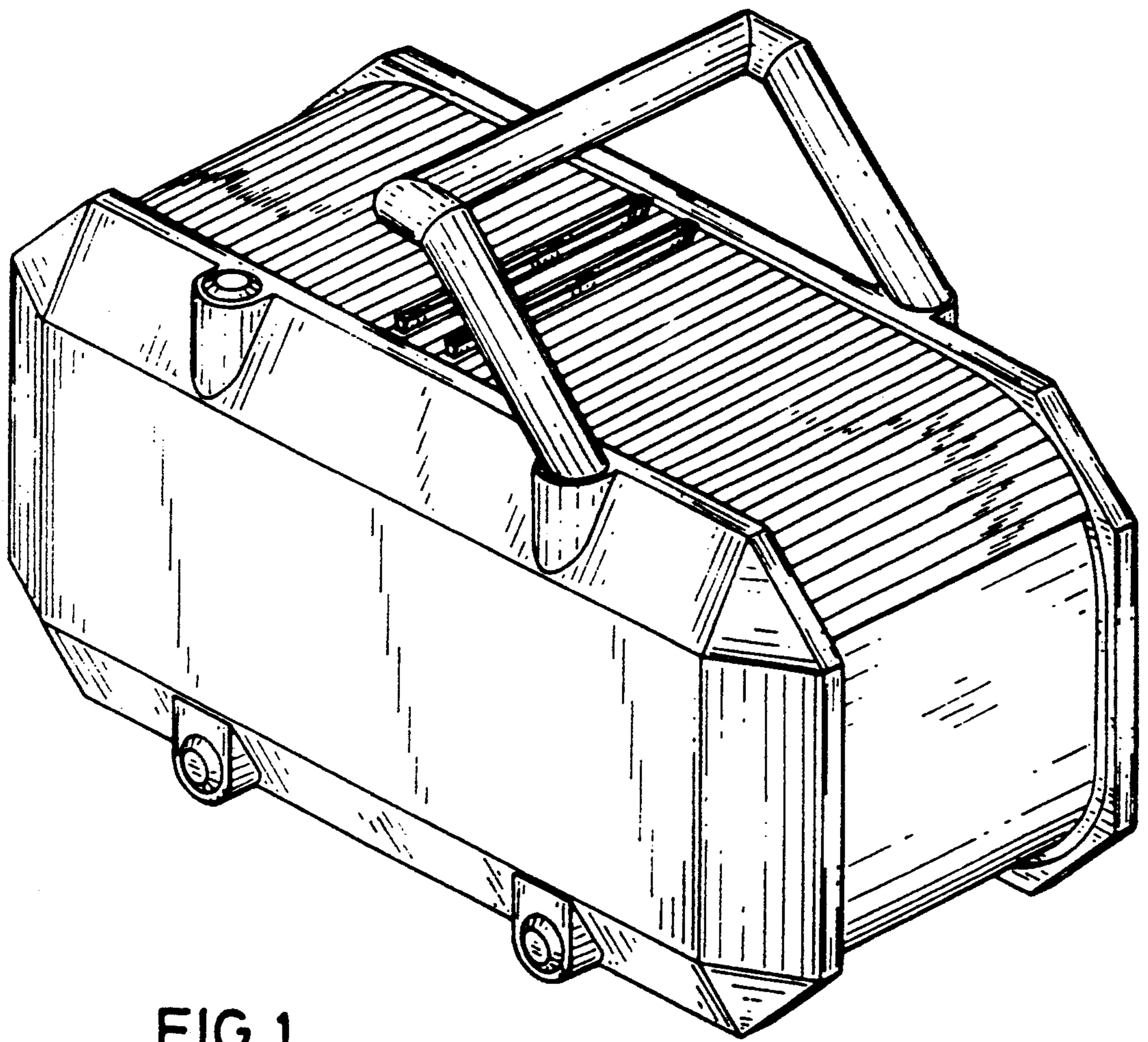


FIG.1

FIG. 2

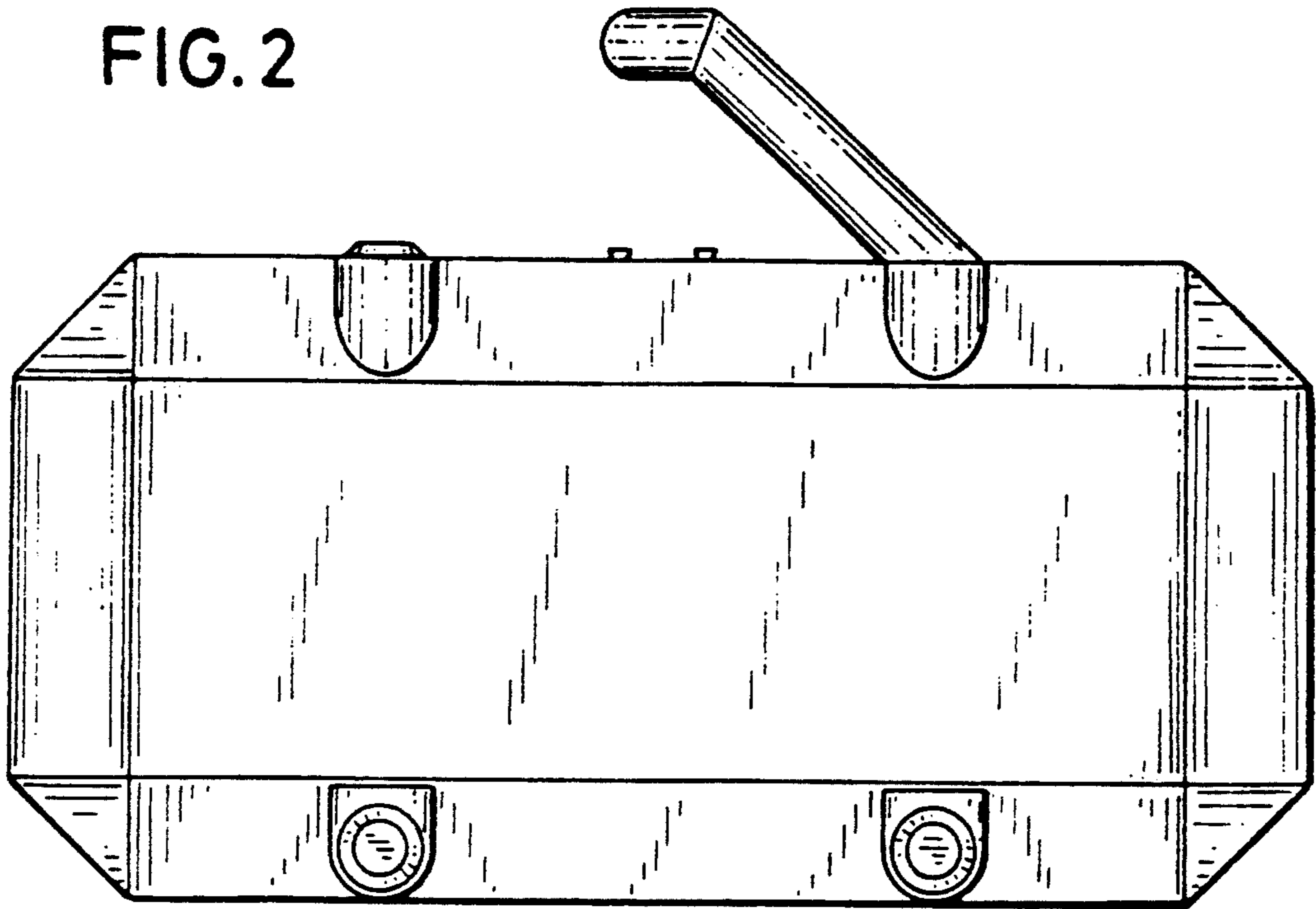


FIG. 3

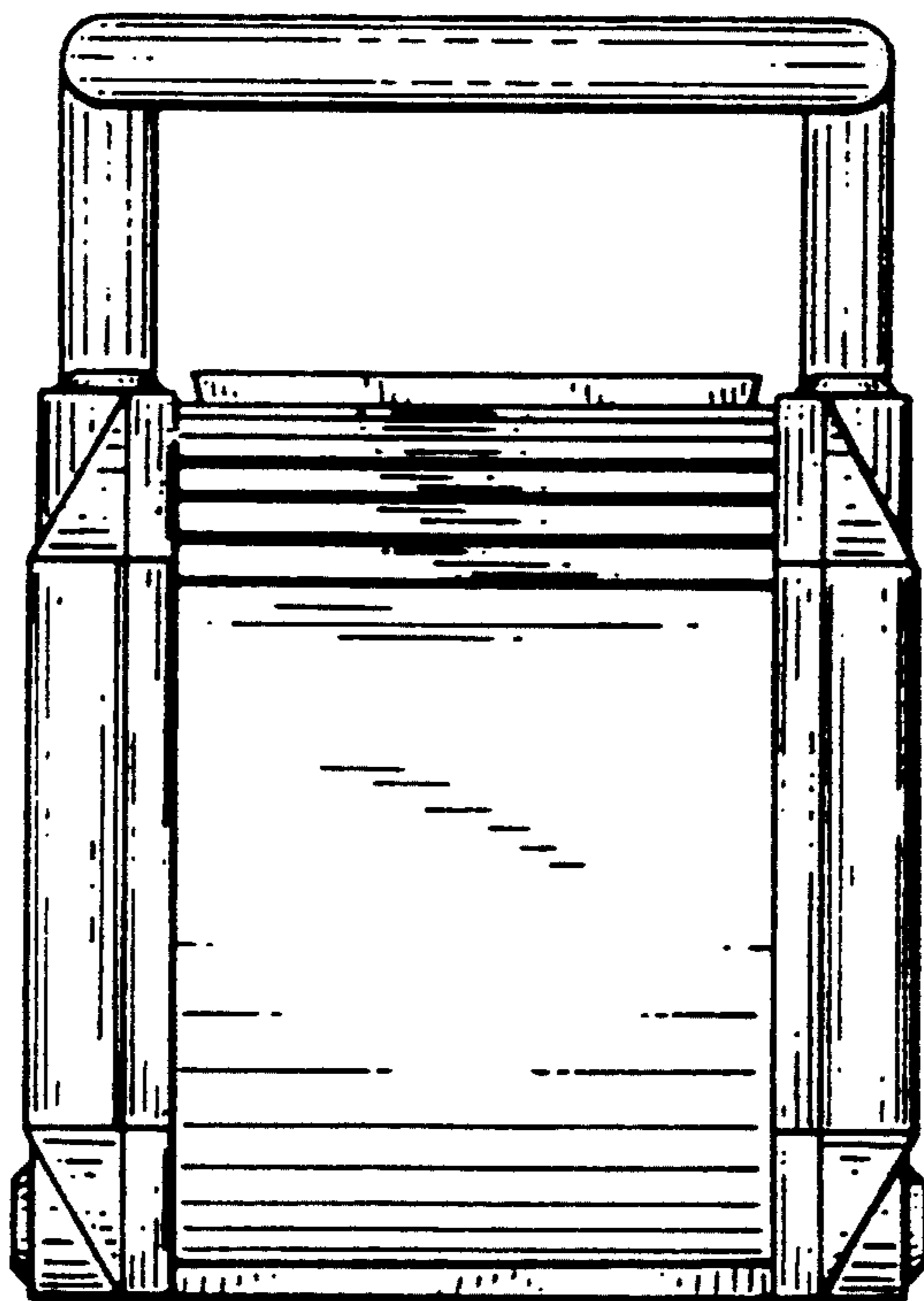


FIG. 4

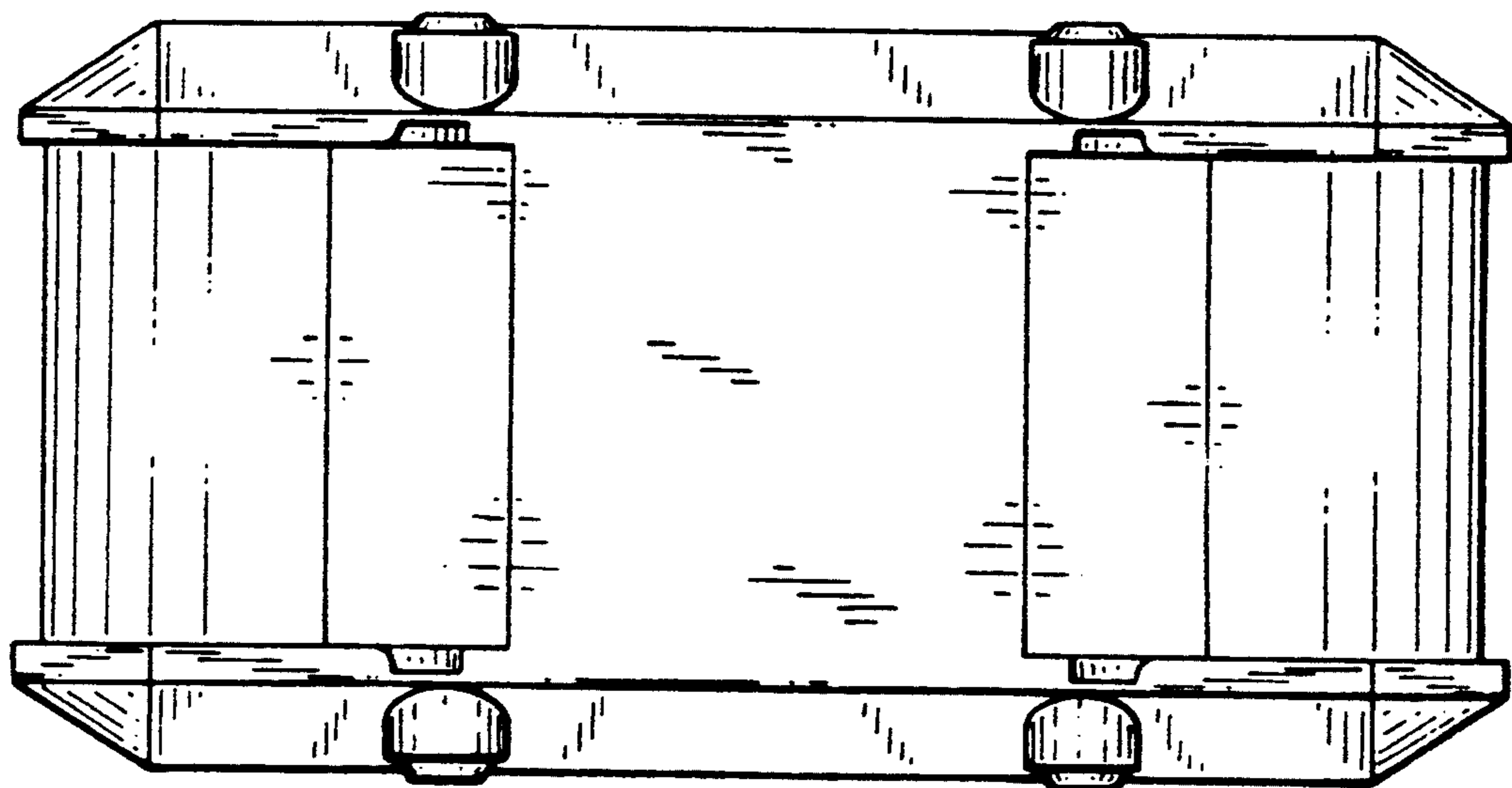
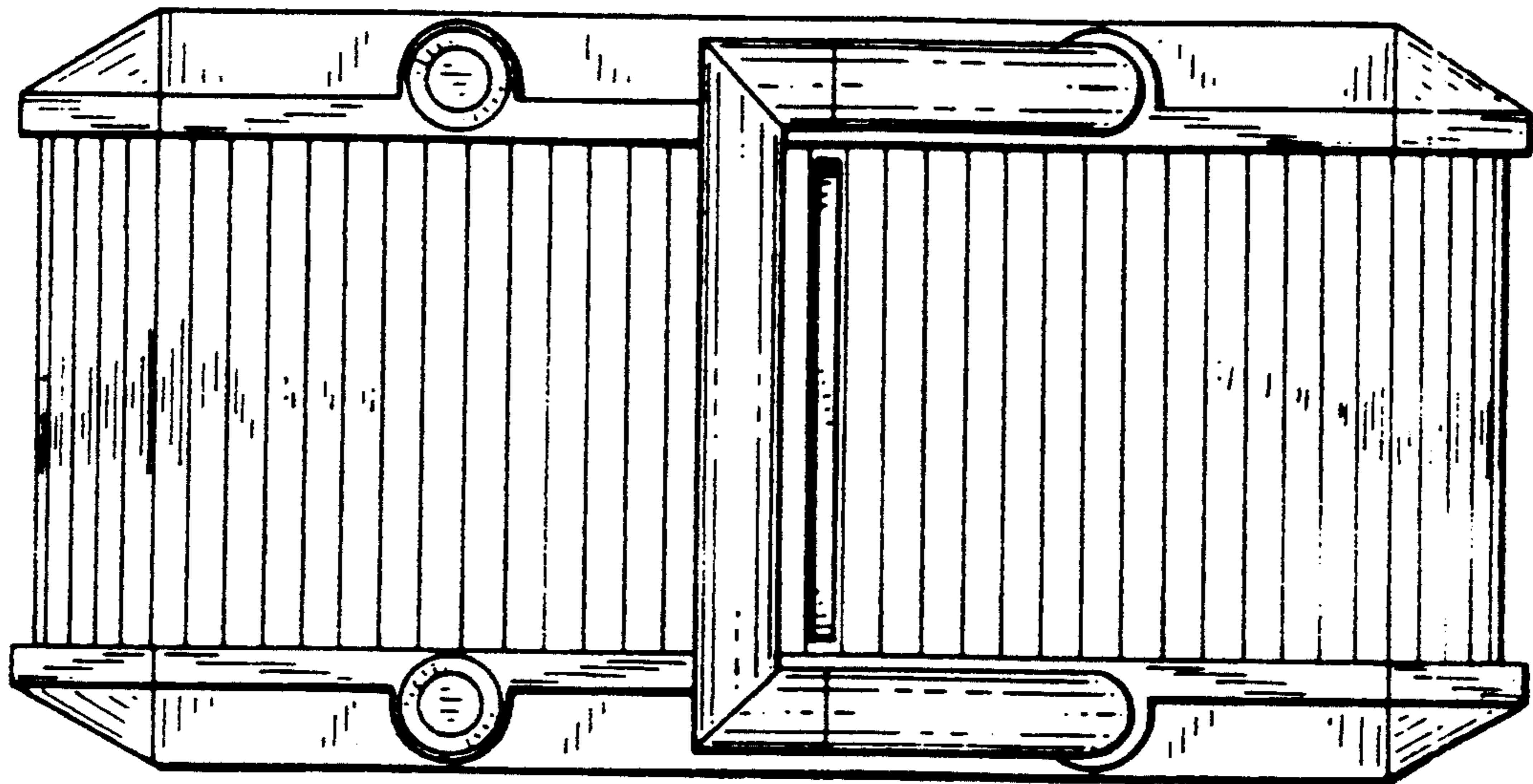


FIG. 5