



US00D348150S

United States Patent [19]

[11] Patent Number: **Des. 348,150**

Lucas

[45] Date of Patent: **** Jun. 28, 1994**

- [54] **SHOE SOLE FOOT FRAME**
- [75] Inventor: **Robert J. Lucas, Portland, Oreg.**
- [73] Assignee: **Nike, Inc., Beaverton, Oreg.**
- [**] Term: **14 Years**
- [21] Appl. No.: **4,454**
- [22] Filed: **Feb. 5, 1993**
- [52] U.S. Cl. **D2/977**
- [58] Field of Search **D2/946, 947, 961, 969, D2/977; 36/25 R, 45, 83, 84, 89, 100-107, 112-114, 132, 136**

The Air Max St shoe, Fall 1992 Nike Footwear, pp. 8-9.
The Air Verona shoe, Fall 1992 Nike Footwear, pp. 82-83.

Primary Examiner—Louis S. Zarfaz
Attorney, Agent, or Firm—Banner, Birch, McKie & Beckett

[57] CLAIM

The ornamental design for a shoe sole foot frame, as shown and described.

DESCRIPTION

FIG. 1 is a side elevational view of one side of a shoe sole foot frame showing my new design;
 FIG. 2 is a side elevational view of the other side of the shoe sole foot frame shown in FIG. 1;
 FIG. 3 is a front elevational view of the shoe sole foot frame shown in FIG. 1;
 FIG. 4 is a rear elevational view of the shoe sole foot frame shown in FIG. 1;
 FIG. 5 is a cross sectional view taken along line 5—5 of FIG. 1;
 FIG. 6 is a cross section taken along line 6—6 of FIG. 1;
 FIG. 7 is a cross section taken along line 7—7 of FIG. 1;
 FIG. 8 is a cross section taken along line 8—8 of FIG. 2;
 FIG. 9 is a cross section taken along line 9—9 of FIG. 2; and,
 FIG. 10 is a cross section taken along line 10—10 of FIG. 2.

The broken line showing of a shoe sole, including the cupped vertical sides of the sole, and the broken line showing of a shoe upper are for illustrative purposes and form no part of the claimed design.

[56] References Cited

U.S. PATENT DOCUMENTS

D. 296,152	6/1988	Selbiger .	
D. 321,973	12/1991	Hatfield .	
D. 324,762	3/1992	Hatfield	D2/977
D. 325,289	4/1992	Aveni	D2/977
D. 326,557	6/1992	Gardner	D2/947
D. 329,528	9/1992	Hatfield	D2/977
D. 329,739	9/1992	Hatfield	D2/977
D. 329,936	10/1992	Lucas	D2/977
D. 334,279	3/1993	Teague	D2/977
D. 334,650	4/1993	Teague	D2/977
D. 335,015	4/1993	Lozano	D2/977
5,014,449	5/1991	Richard et al.	36/114

OTHER PUBLICATIONS

- The Air Structure shoe, Spring 1991 Nike Footwear, pp. 8-9, 12-13.
- The Air Structure shoe, Fall 1991 Nike Footwear, pp. 8-9.
- The Air Structure shoe, Spring 1992 Nike Footwear, pp. 8-9, 12-13.
- The Air Max shoe, Fall 1991 Nike Footwear, pp. 14, 15.

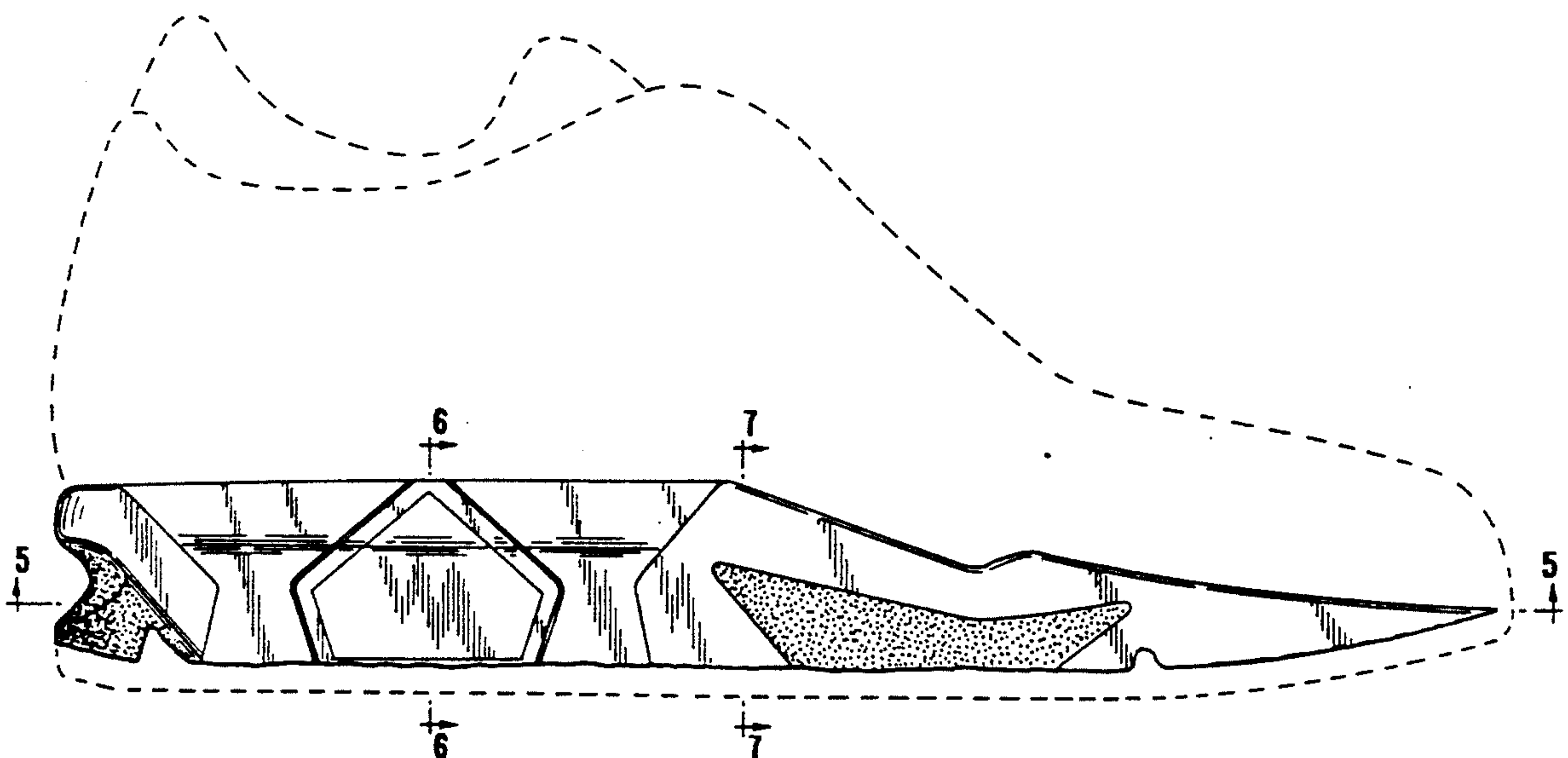


FIG. 6



FIG. 7

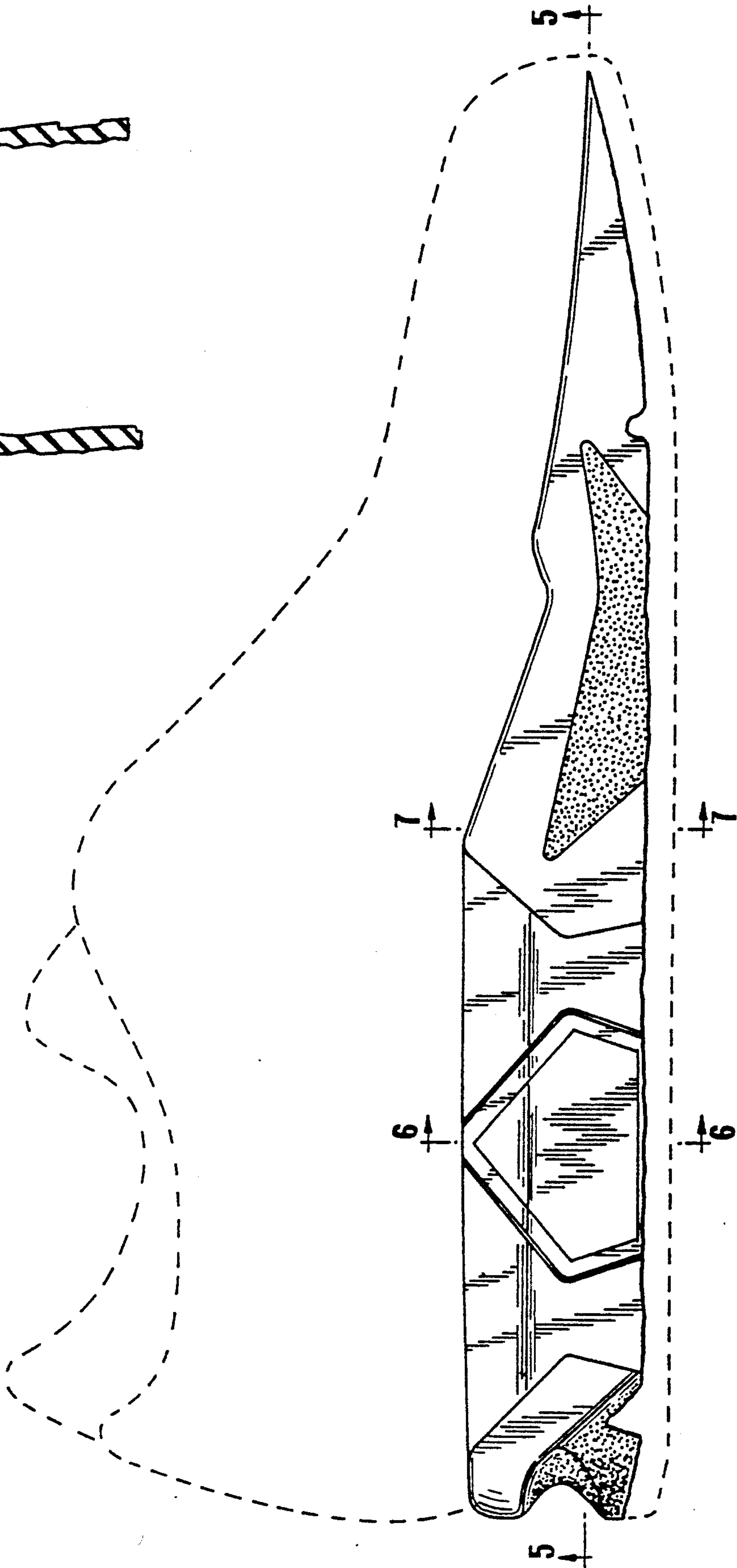


FIG. 8 FIG. 9 FIG. 10

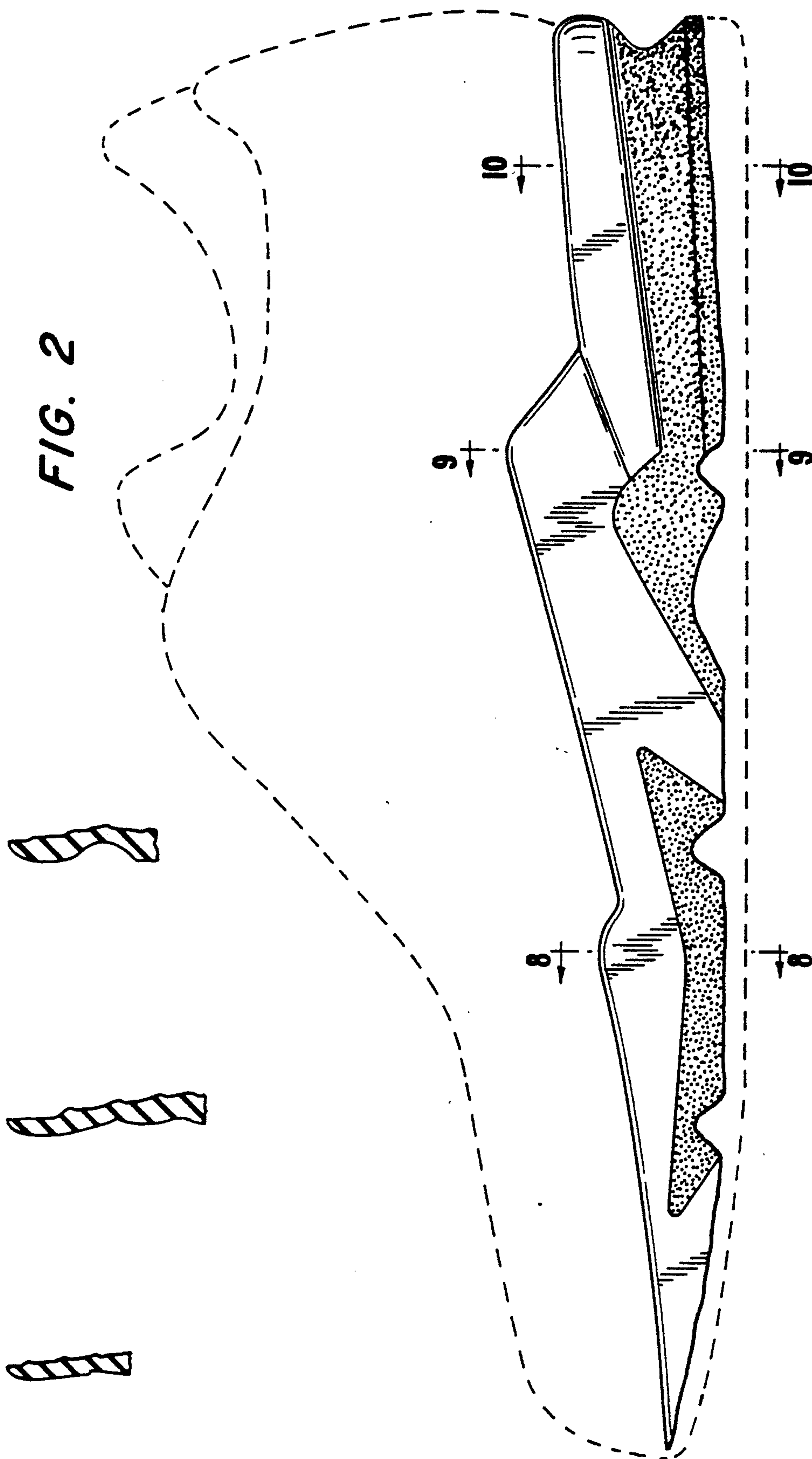


FIG. 4

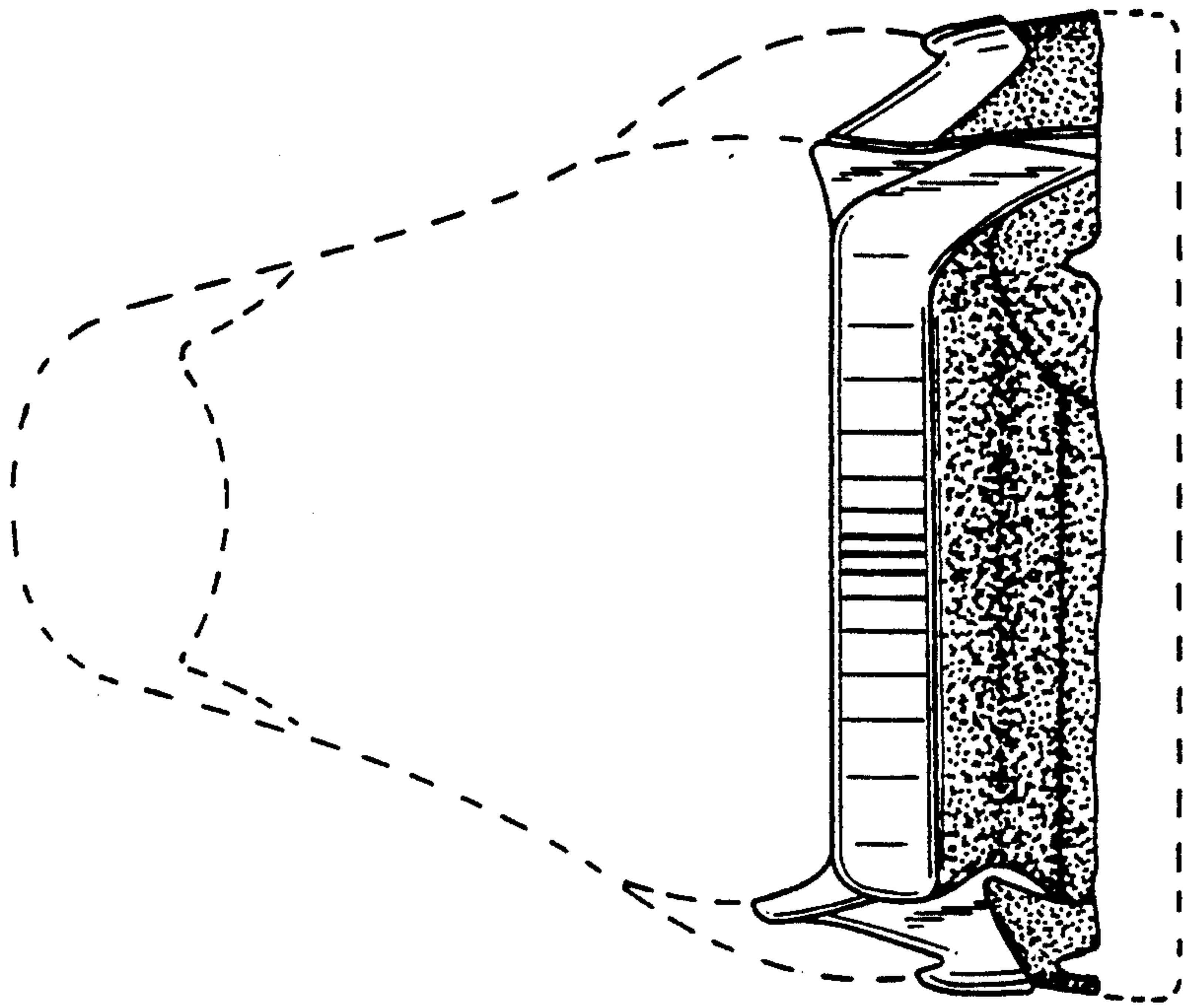


FIG. 3

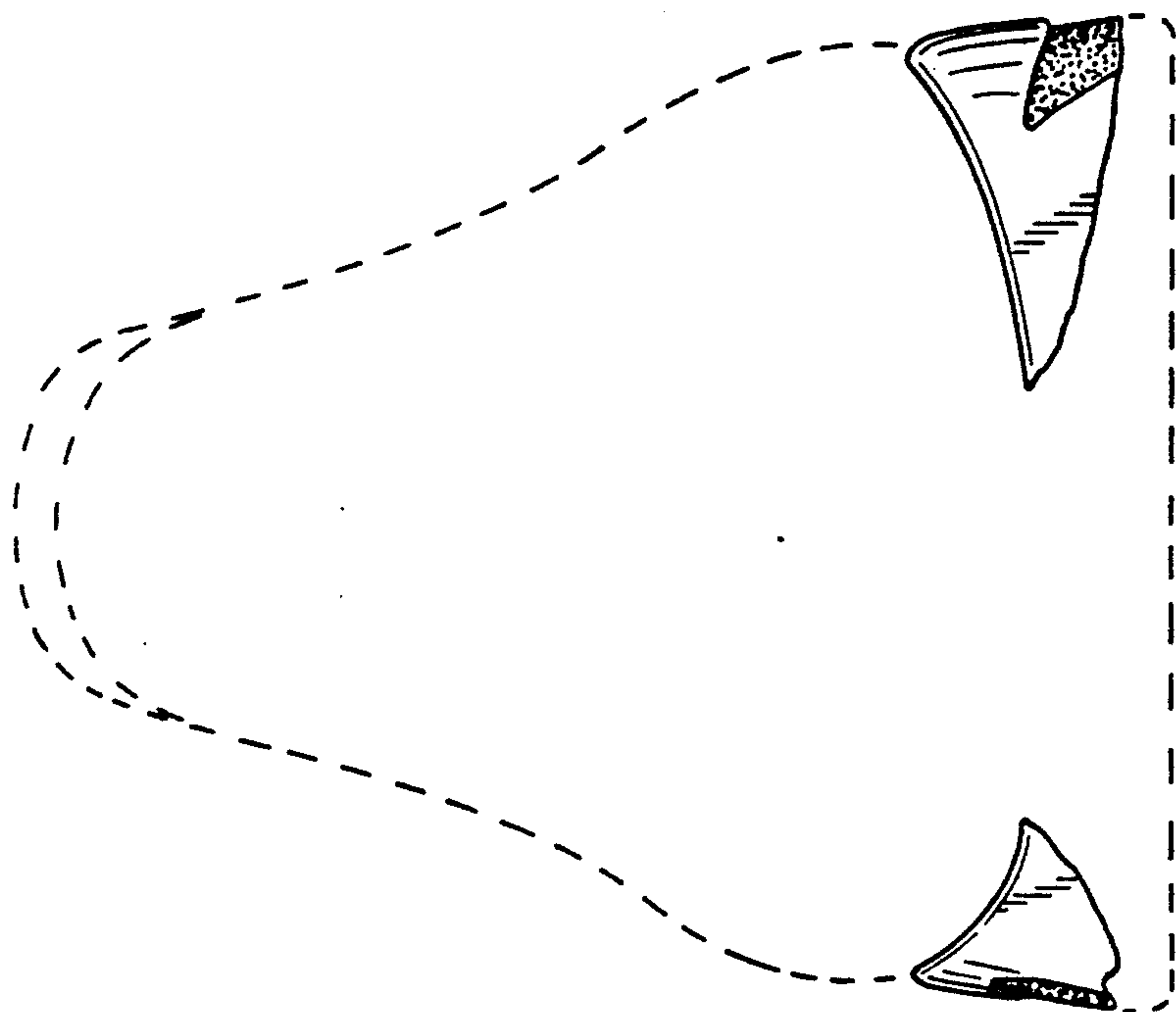


FIG. 5

