



US00D348135S

# United States Patent [19]

[11] Patent Number: **Des. 348,135**

Goto et al.

[45] Date of Patent: **\*\* Jun. 21, 1994**

[54] **MOBILE CRANE**

[75] Inventors: **Shinji Goto, Kobe; Yoshihiro Murakami, Akashi, both of Japan**

[73] Assignee: **Kabushiki Kaisha Kobe Seikosho, Kobe, Japan**

[\*\*] Term: **14 Years**

[21] Appl. No.: **980**

[22] Filed: **Oct. 30, 1992**

[52] U.S. Cl. .... **D34/34; D34/33**

[58] Field of Search ..... **212/261, 260, 180; 173/28, 38, 186; 414/563; D34/34, 28**

[56] **References Cited**

**U.S. PATENT DOCUMENTS**

D. 183,367	8/1958	Park .....	D34/34
D. 205,031	6/1966	Grove .....	D34/34
D. 214,035	5/1969	Grove .....	D34/34
D. 214,889	8/1969	Stevens .....	D34/34
D. 218,412	8/1970	Lowe .	
D. 251,062	2/1979	Wacht et al. ....	D34/34
D. 251,240	3/1979	Grove .....	D34/34
3,633,702	1/1972	Shaw .....	212/261
4,674,638	6/1987	Oliphant .....	212/261

**FOREIGN PATENT DOCUMENTS**

588057	11/1982	Japan .
606668	8/1983	Japan .
607077	8/1983	Japan .
673816	3/1986	Japan .

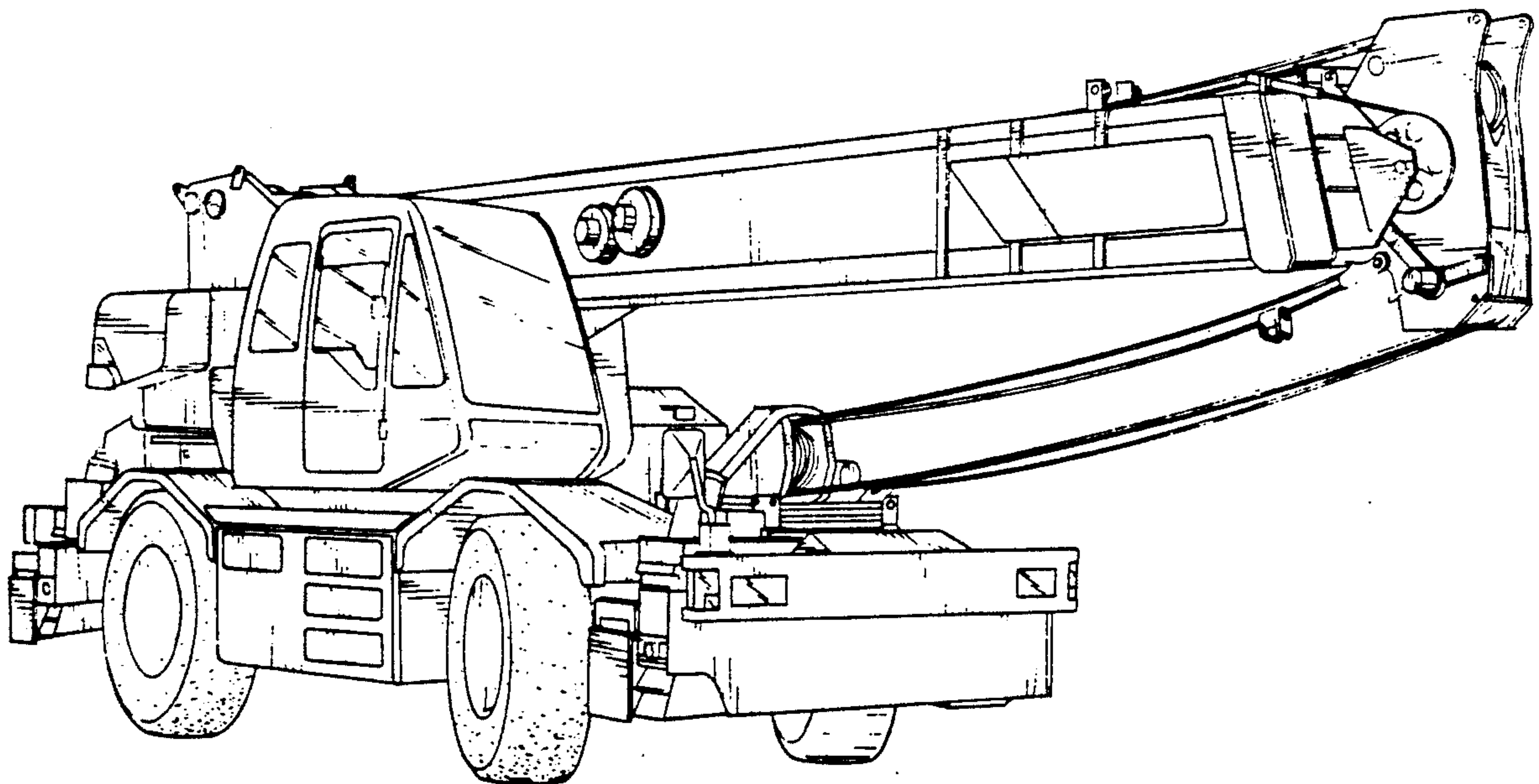
*Primary Examiner*—Kay H. Chin  
*Attorney, Agent, or Firm*—Oblon, Spivak, McClelland, Maier & Neustadt

[57] **CLAIM**

The ornamental design for a mobile crane, as shown and described.

**DESCRIPTION**

FIG. 1 is a right side elevational view of a mobile crane, showing our new design;  
FIG. 2 is a left side elevational view thereof;  
FIG. 3 is a top plan view thereof;  
FIG. 4 is a bottom plan view thereof;  
FIG. 5 is a front elevational view thereof;  
FIG. 6 is a rear elevational view thereof;  
FIG. 7 is a right side elevational view showing the boom of the crane extended; and,  
FIG. 8 is a top, front and left perspective view thereof.



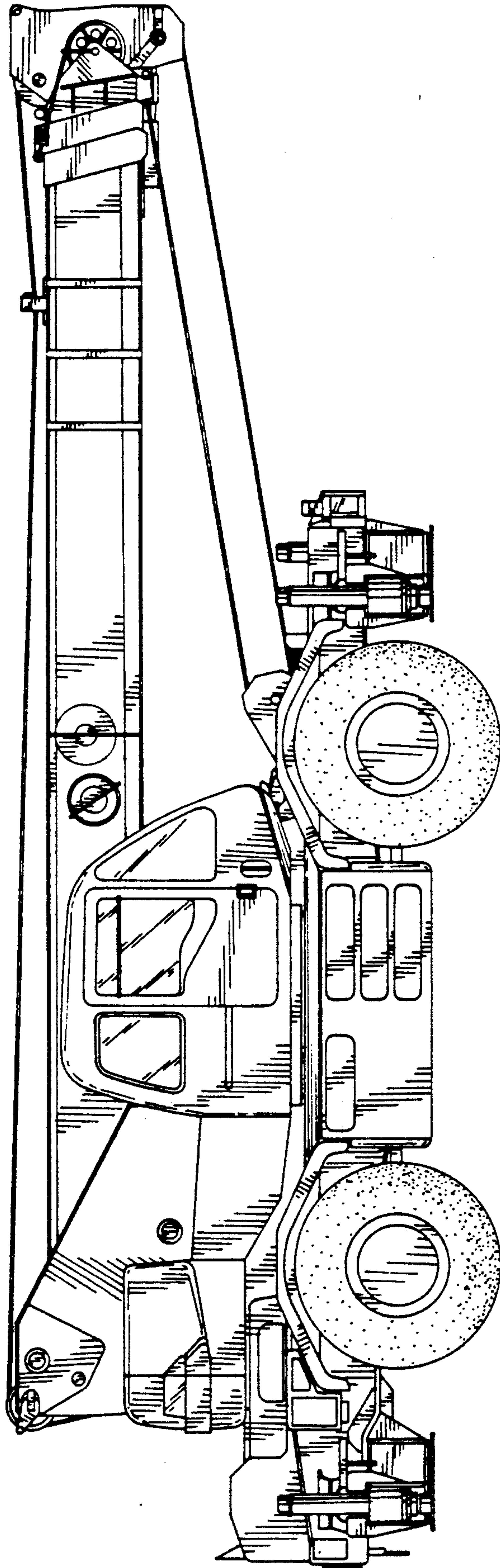


FIG. 1

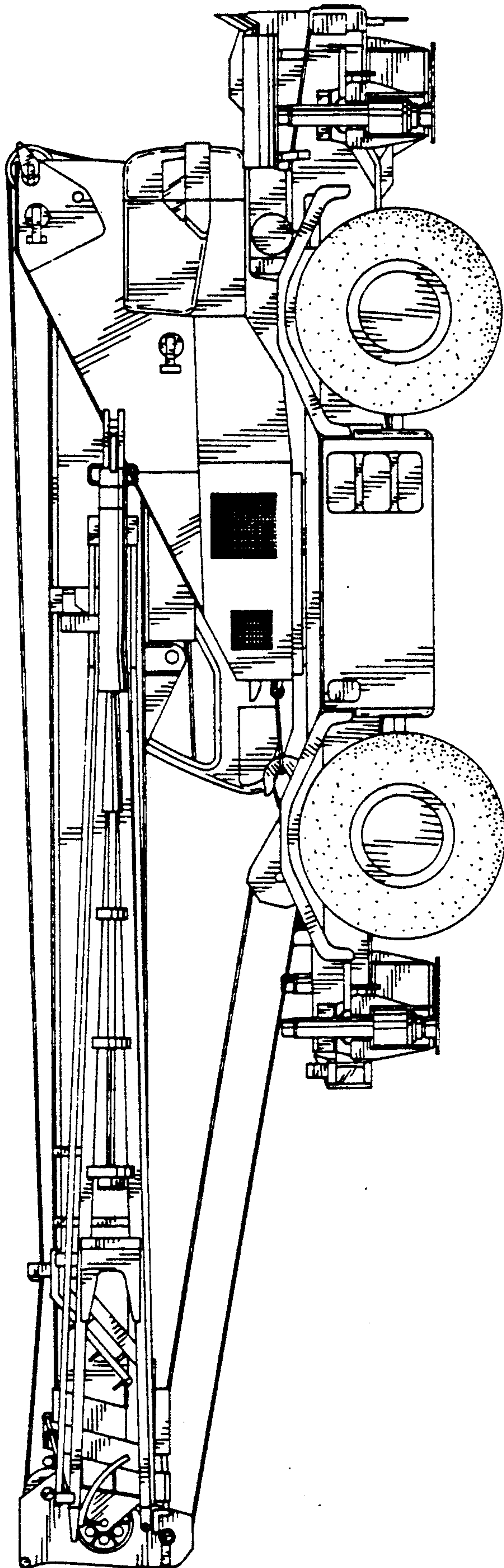


FIG. 2



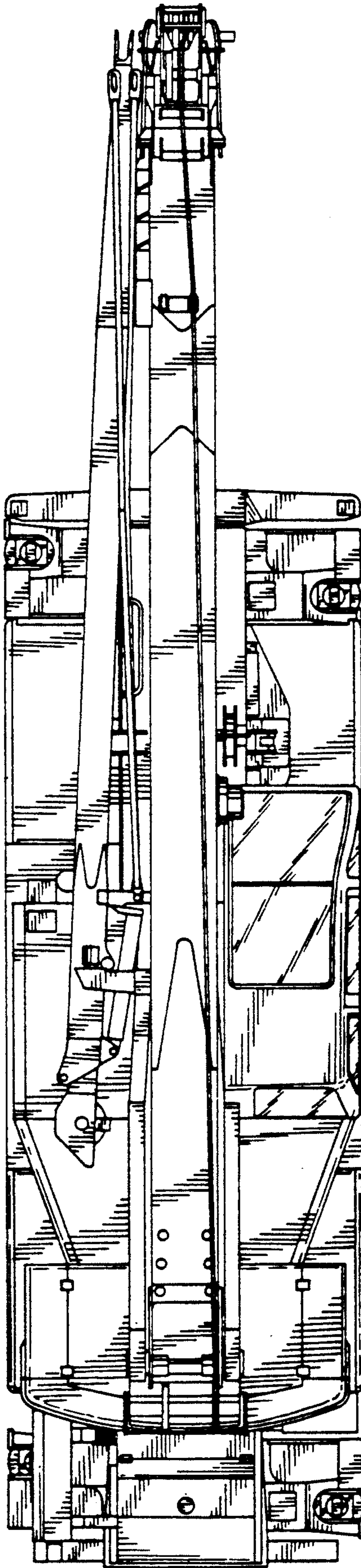


FIG. 3

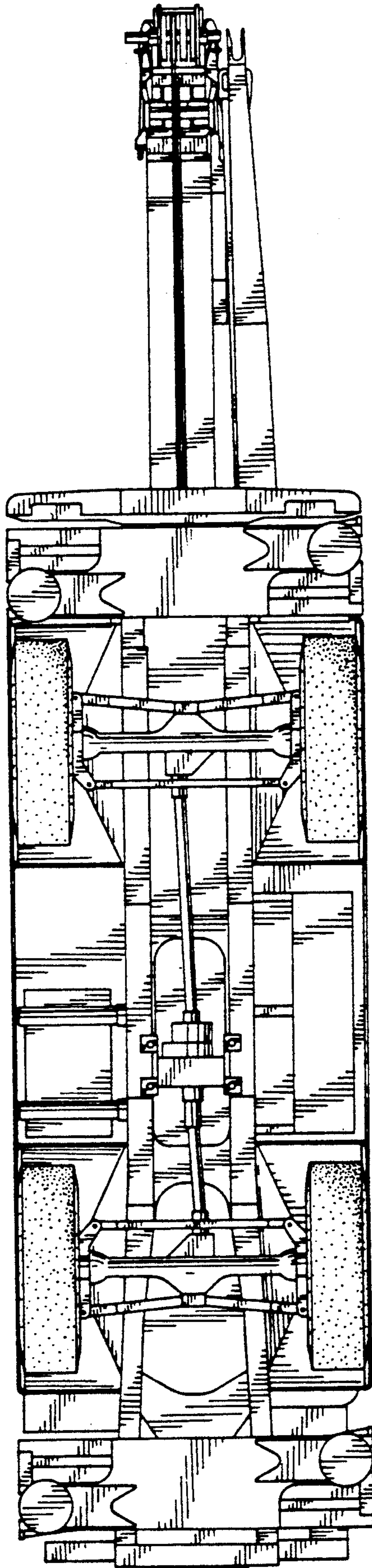


FIG. 4

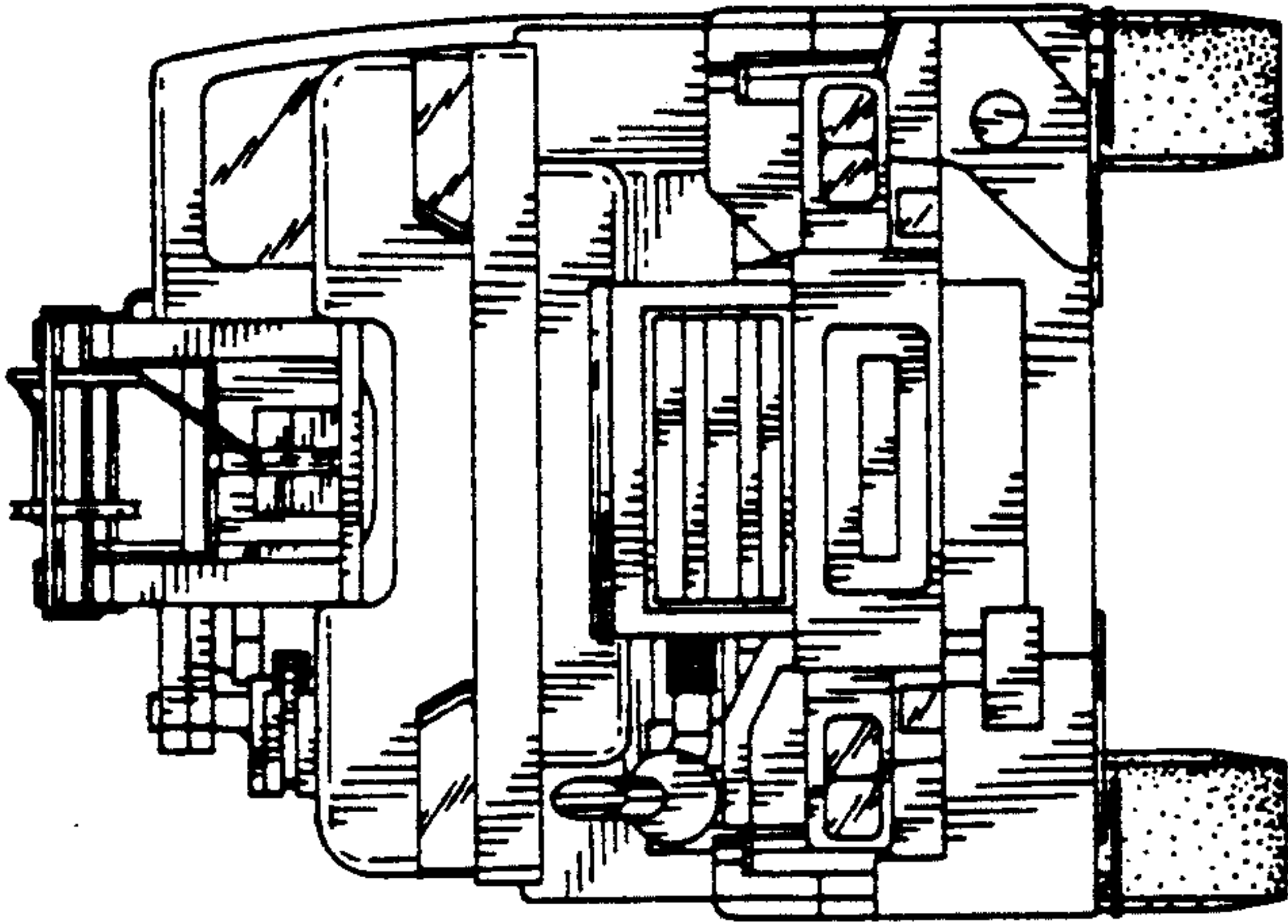


FIG. 6

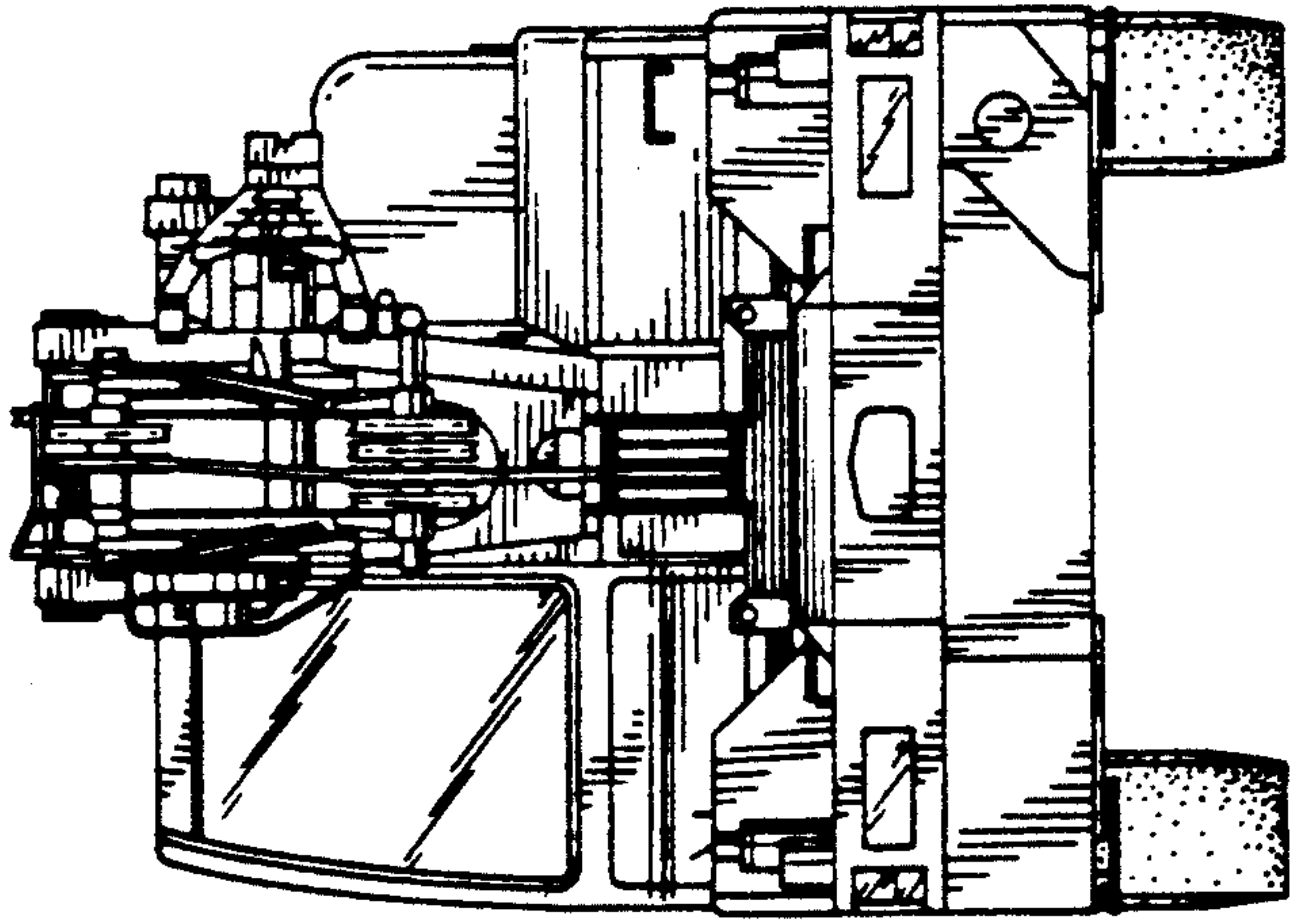


FIG. 5

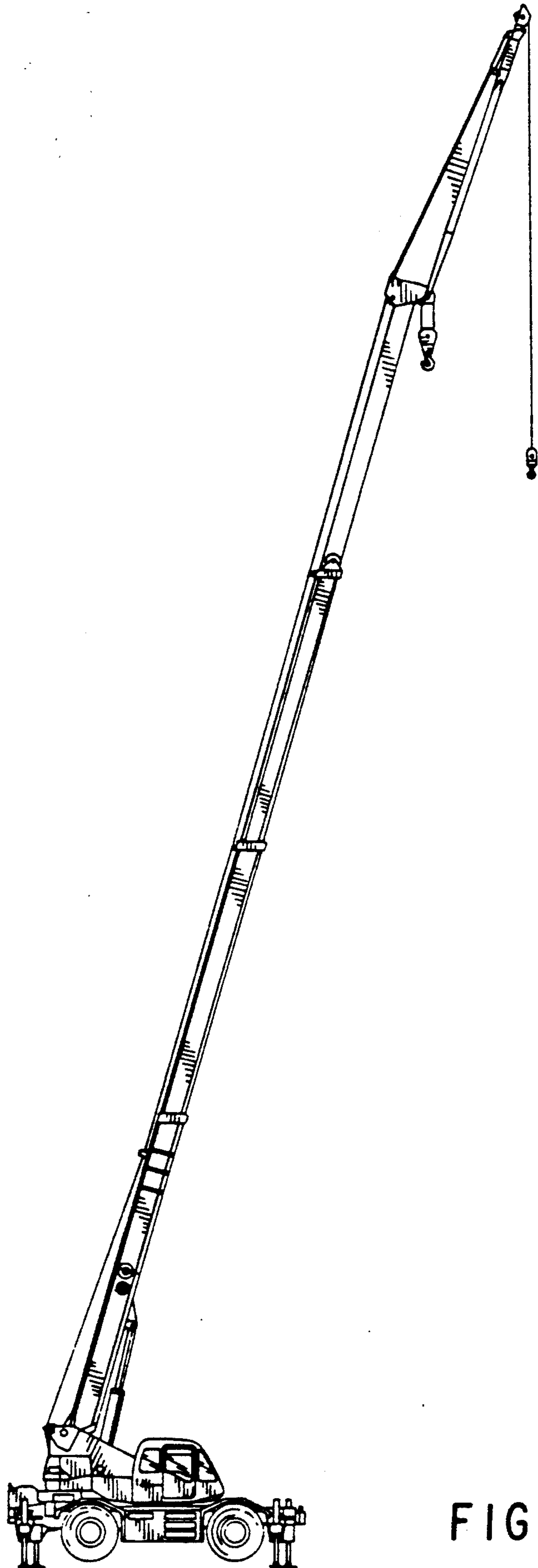


FIG. 7



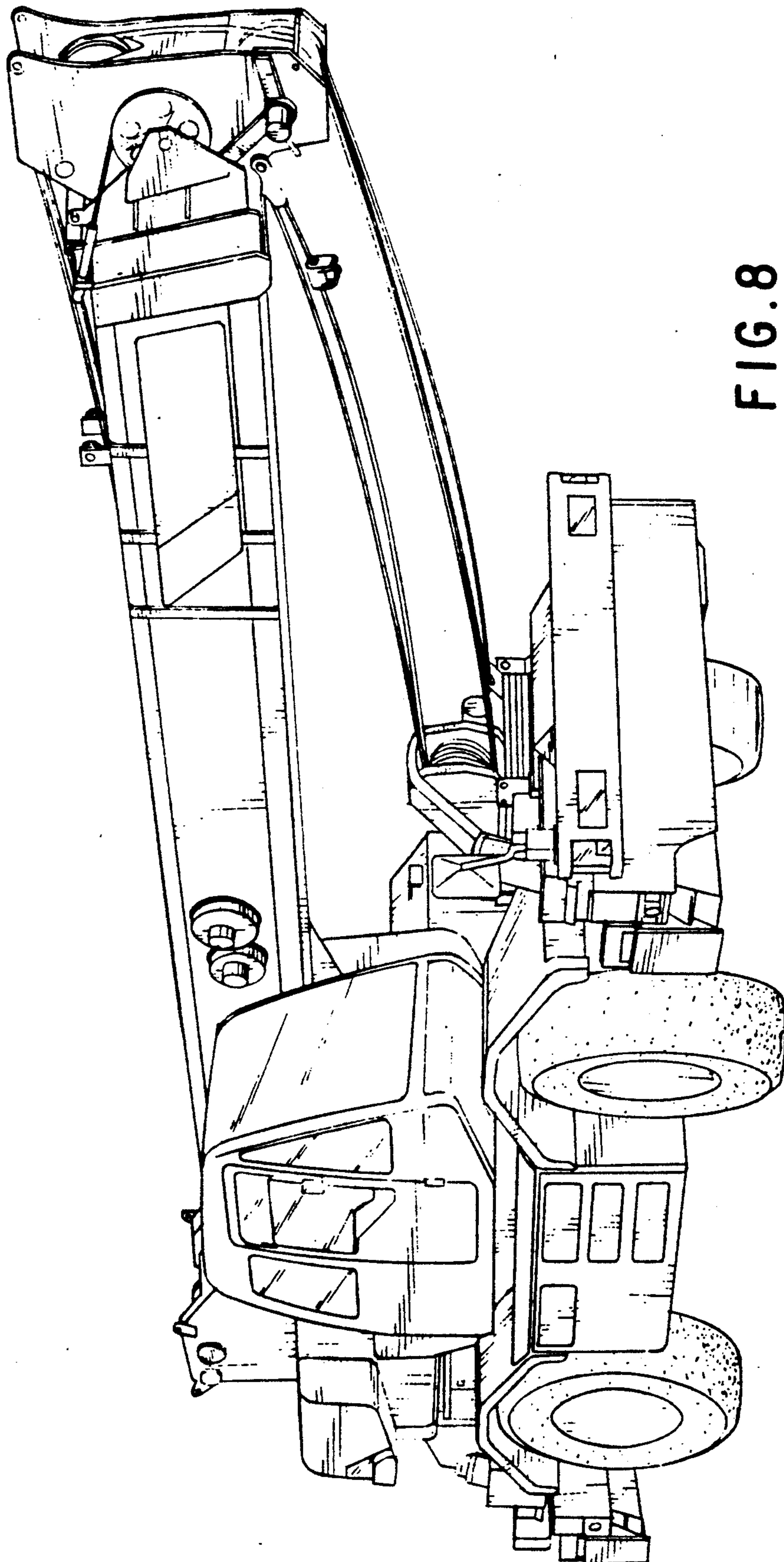


FIG. 8