



US00D348133S

# United States Patent [19] Solfjeld

[11] Patent Number: **Des. 348,133**

[45] Date of Patent: **\*\* Jun. 21, 1994**

[54] **VACUUM FIXATION DEVICE**

[75] Inventor: **Poul Solfjeld, Horsholm, Denmark**

[73] Assignee: **Dansk Industri Design aps,  
Horsholm, Denmark**

[\*\*] Term: **14 Years**

[21] Appl. No.: **904,819**

[22] Filed: **Jun. 26, 1992**

[52] U.S. Cl. .... **D34/28**

[58] Field of Search ..... **294/64.1, 65, 64.2,  
294/64.3; D34/28**

**FOREIGN PATENT DOCUMENTS**

152696 4/1988 Denmark .  
0493979 7/1992 European Pat. Off. .  
3126720 4/1987 Fed. Rep. of Germany .  
4025846 12/1991 Fed. Rep. of Germany ..... 294/64.1

*Primary Examiner*—**Kay H. Chin**

*Attorney, Agent, or Firm*—**Thomas R. Vigil**

[57] **CLAIM**

The ornamental design for a vacuum fixation device, as shown and described.

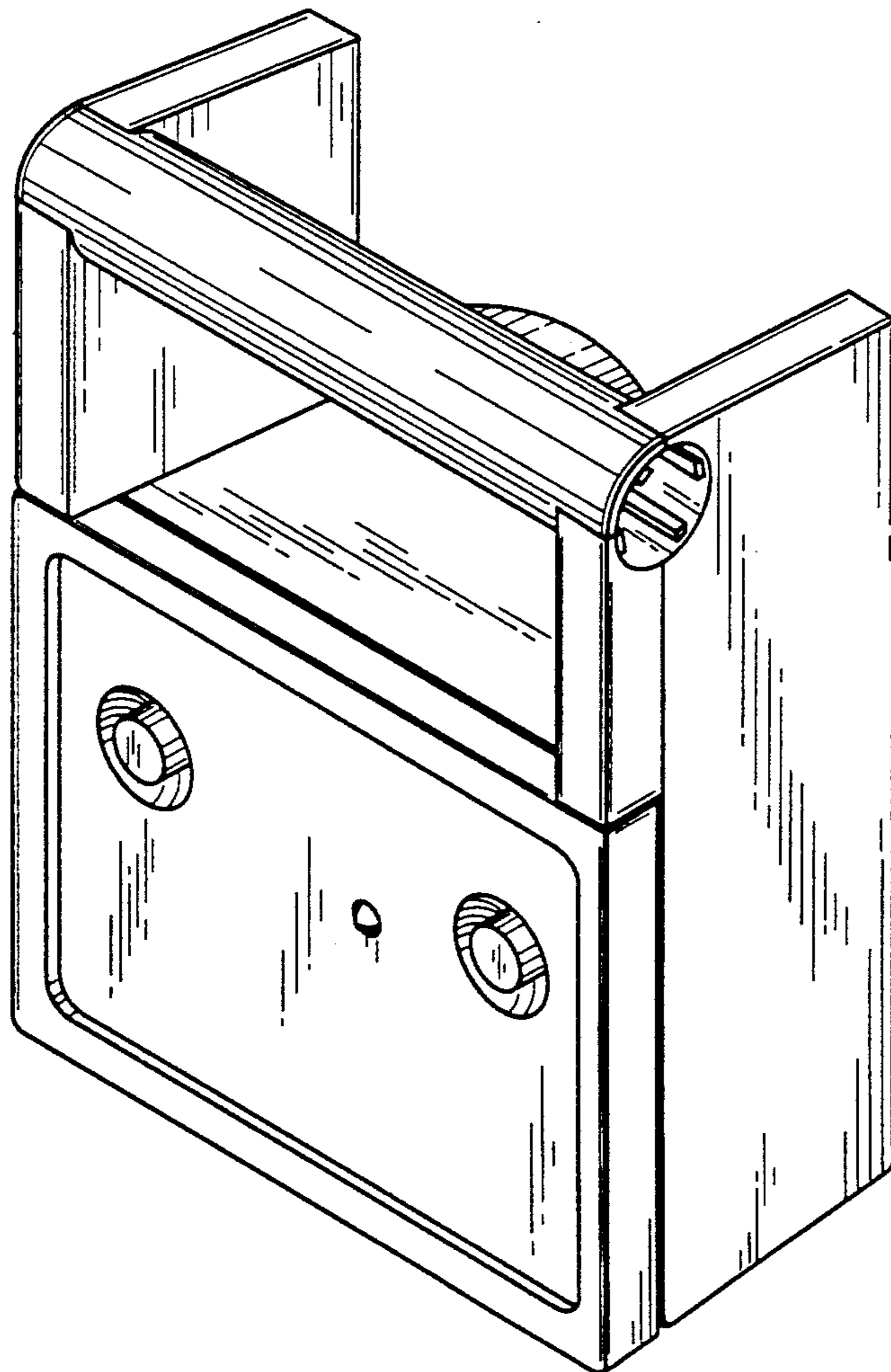
**DESCRIPTION**

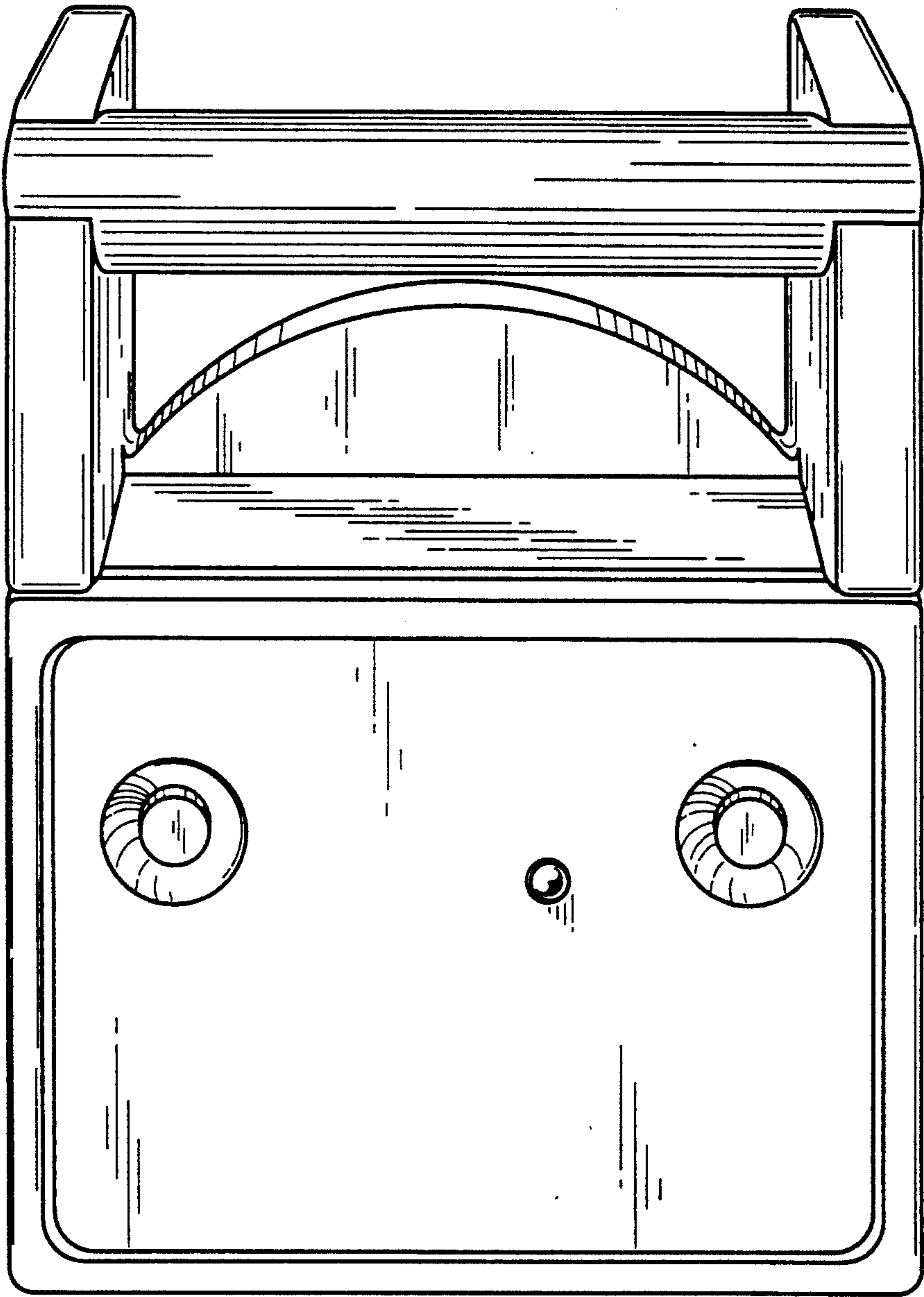
FIG. 1 is a top perspective view of the vacuum fixation device showing my new design;  
FIG. 2 is a right side perspective view thereof;  
FIG. 3 is a rear and bottom perspective view thereof;  
FIG. 4 is a front elevational view thereof;  
FIG. 6 is a top plan view thereof;  
FIG. 7 is a rear elevational view thereof;  
FIG. 8 is a right side elevational view thereof; and,  
FIG. 9 is a bottom plan view thereof.

[56] **References Cited**

**U.S. PATENT DOCUMENTS**

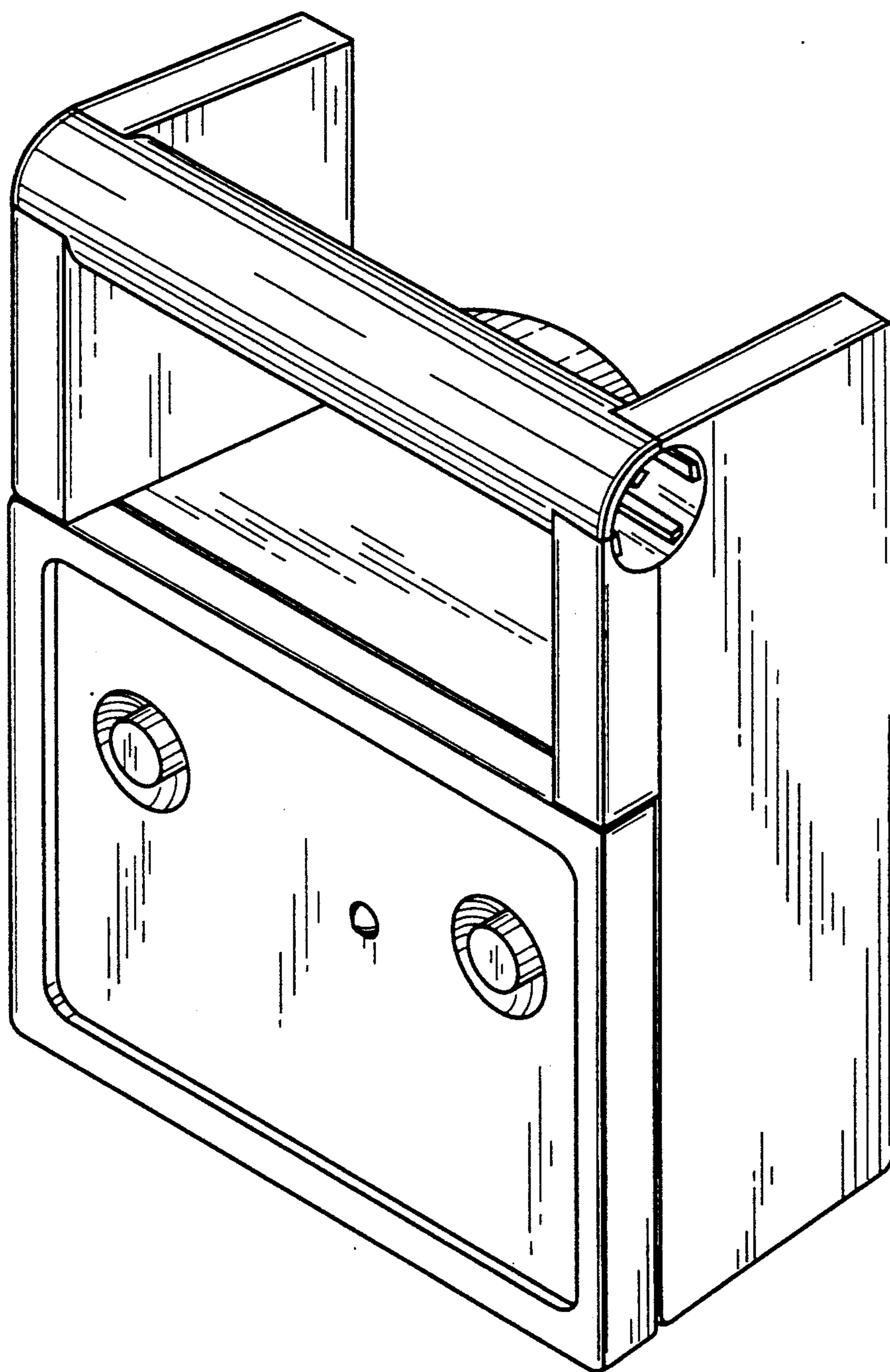
D. 310,594 9/1990 Johansson ..... D34/28  
762,499 6/1904 Sprague .  
897,060 8/1908 Cash .  
2,443,987 10/1945 Morrison .  
2,455,650 3/1947 Billner .  
2,815,240 2/1955 Lytle .  
4,925,225 5/1990 Dost ..... 294/64.1



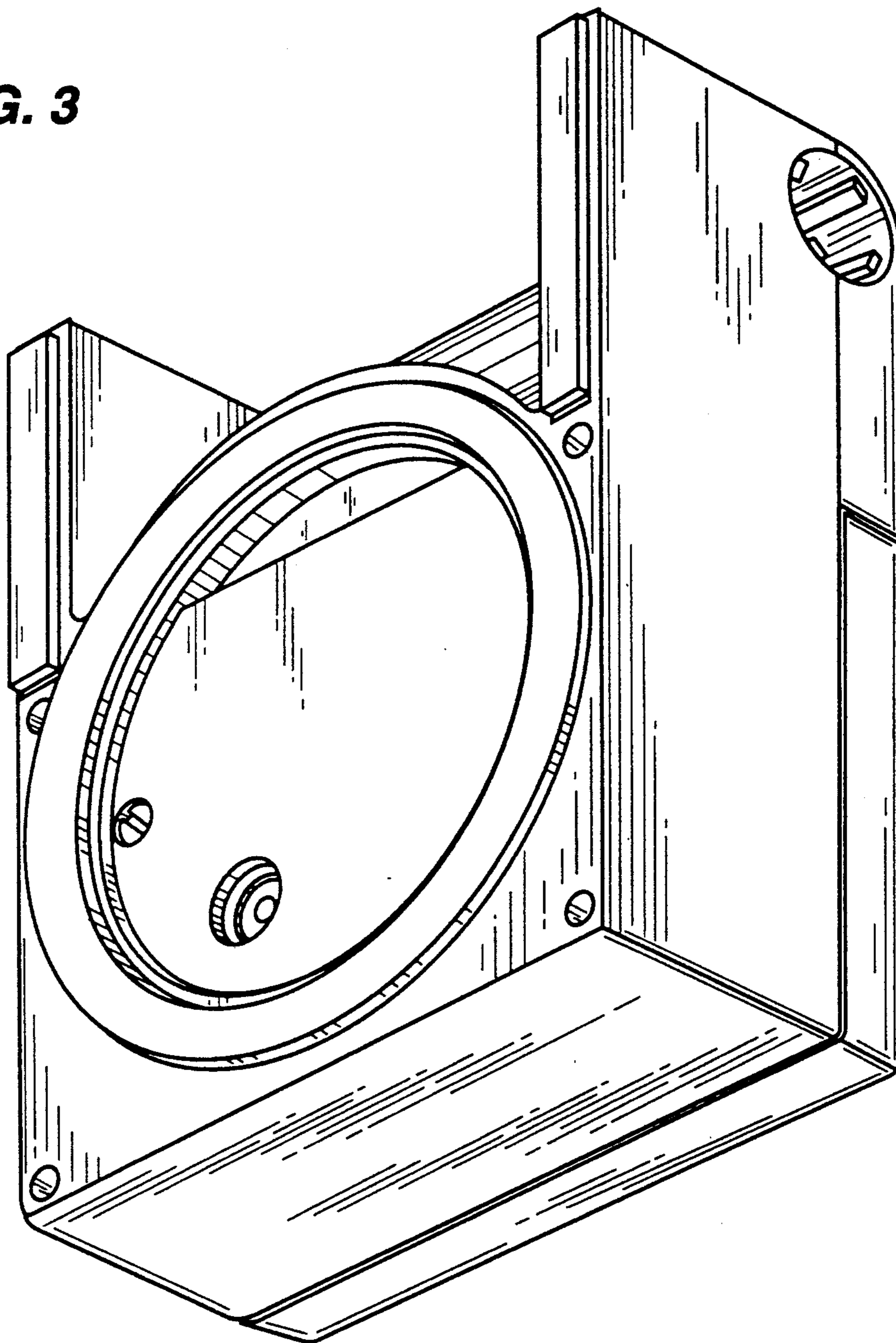


**FIG. 1**

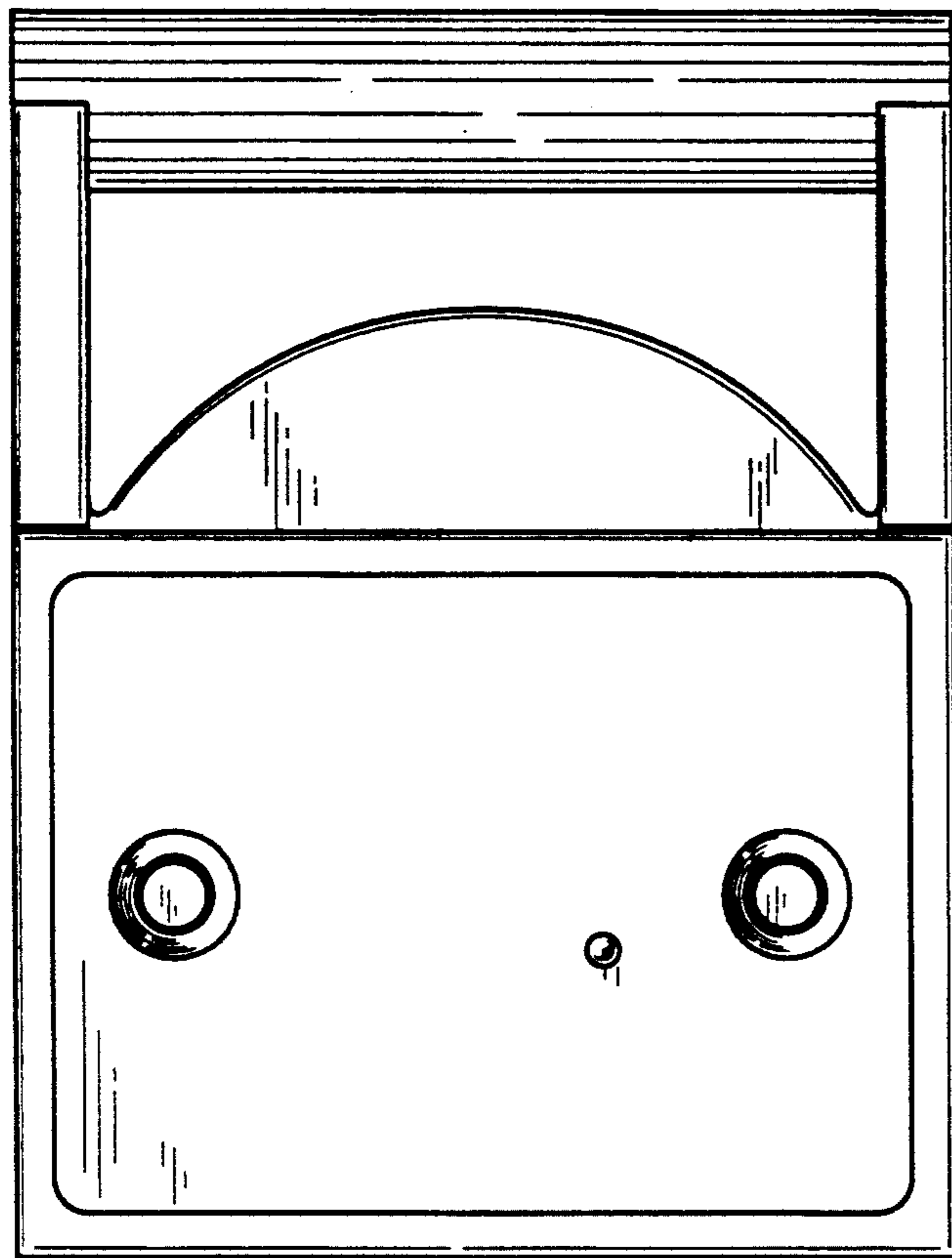
**FIG. 2**



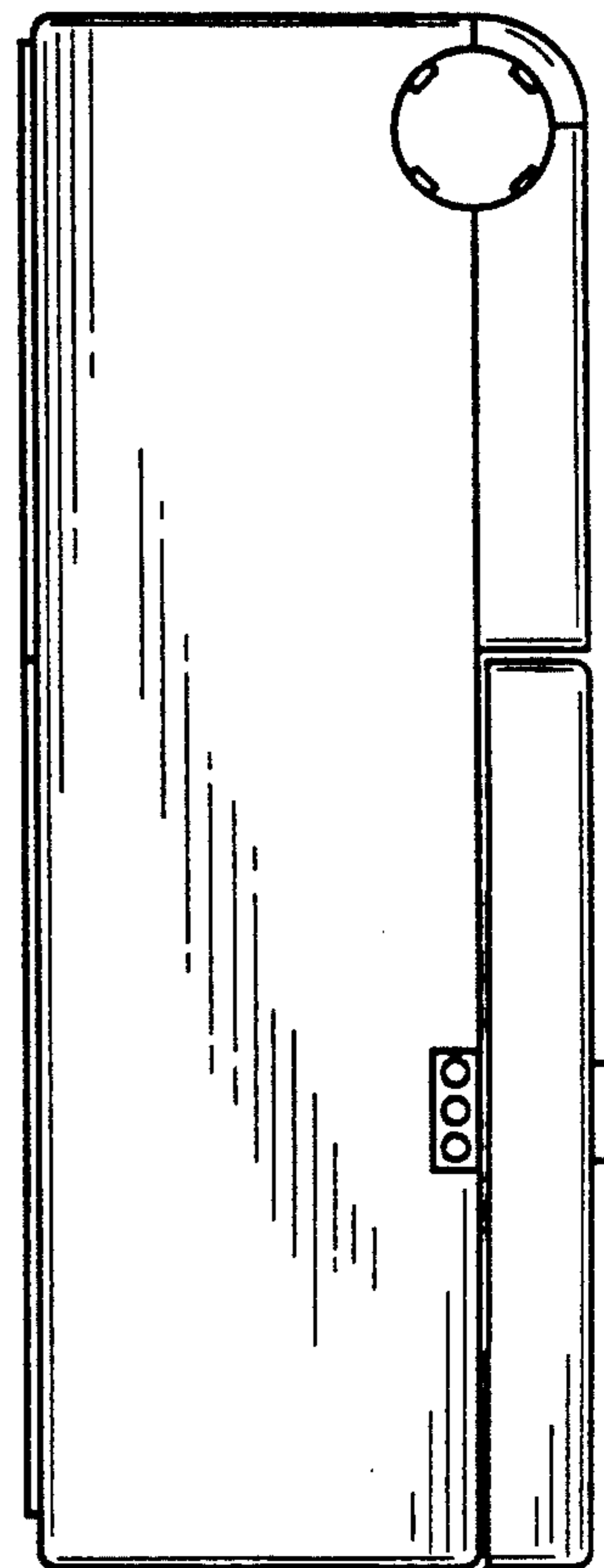
**FIG. 3**



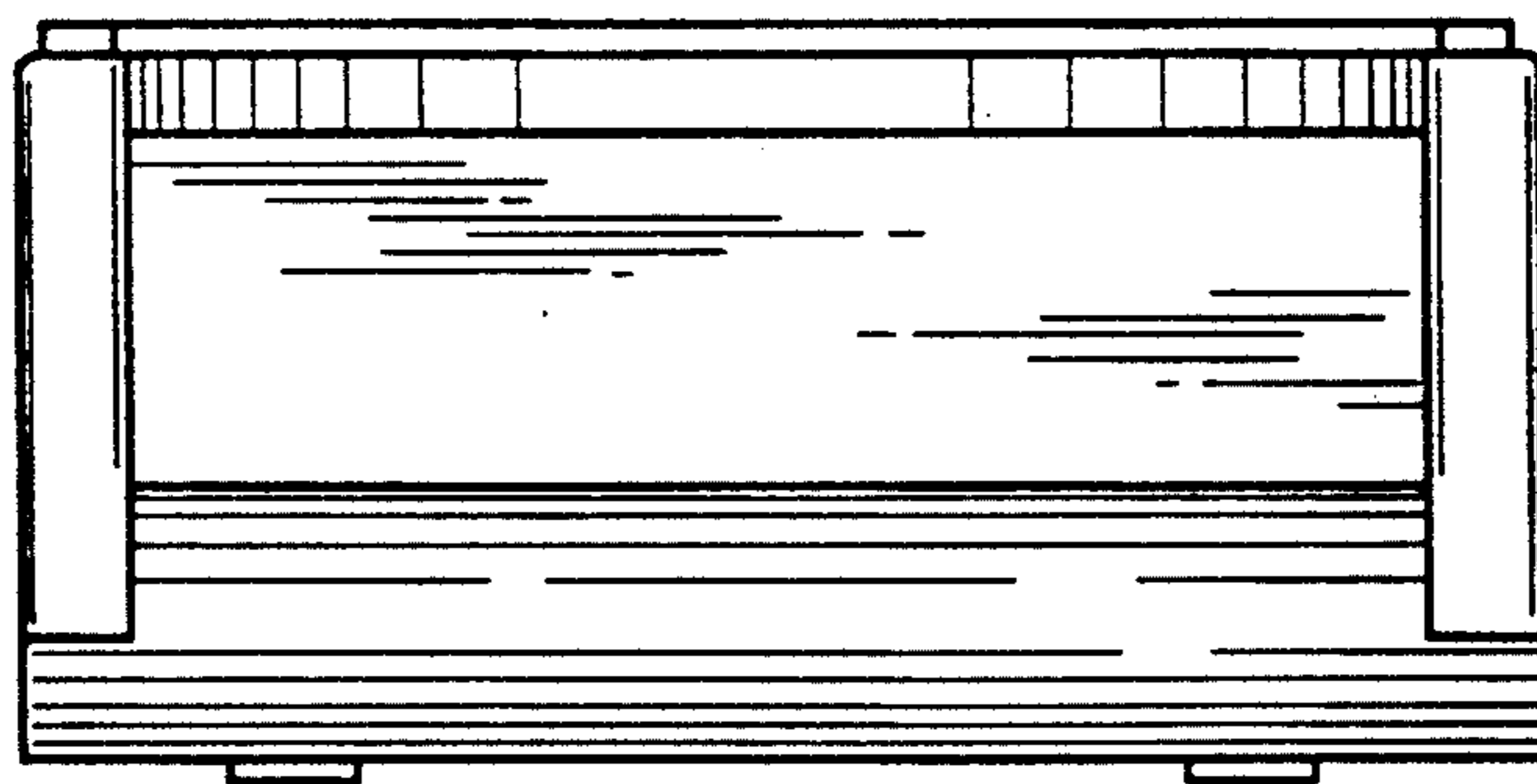
**FIG. 4**



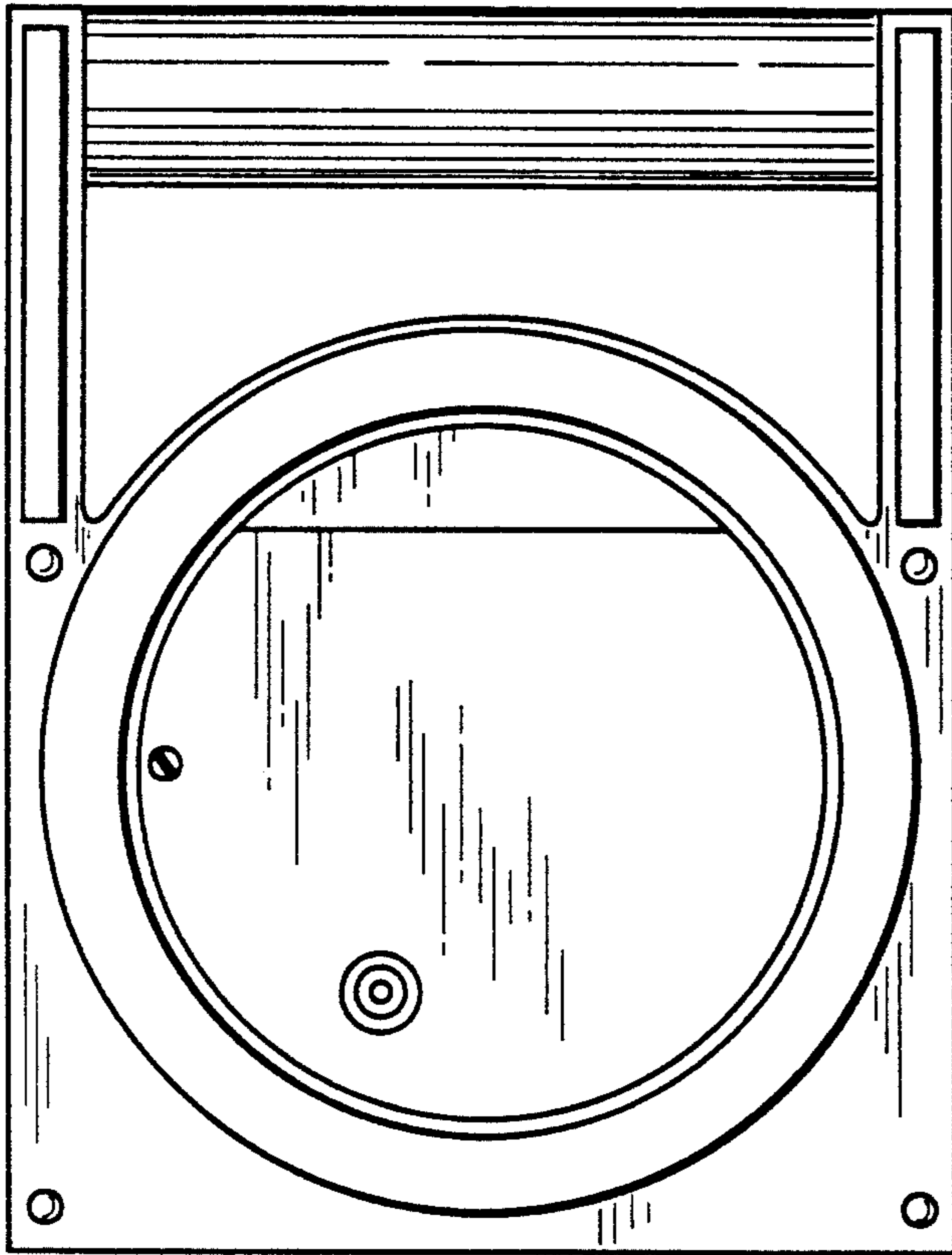
**FIG. 5**



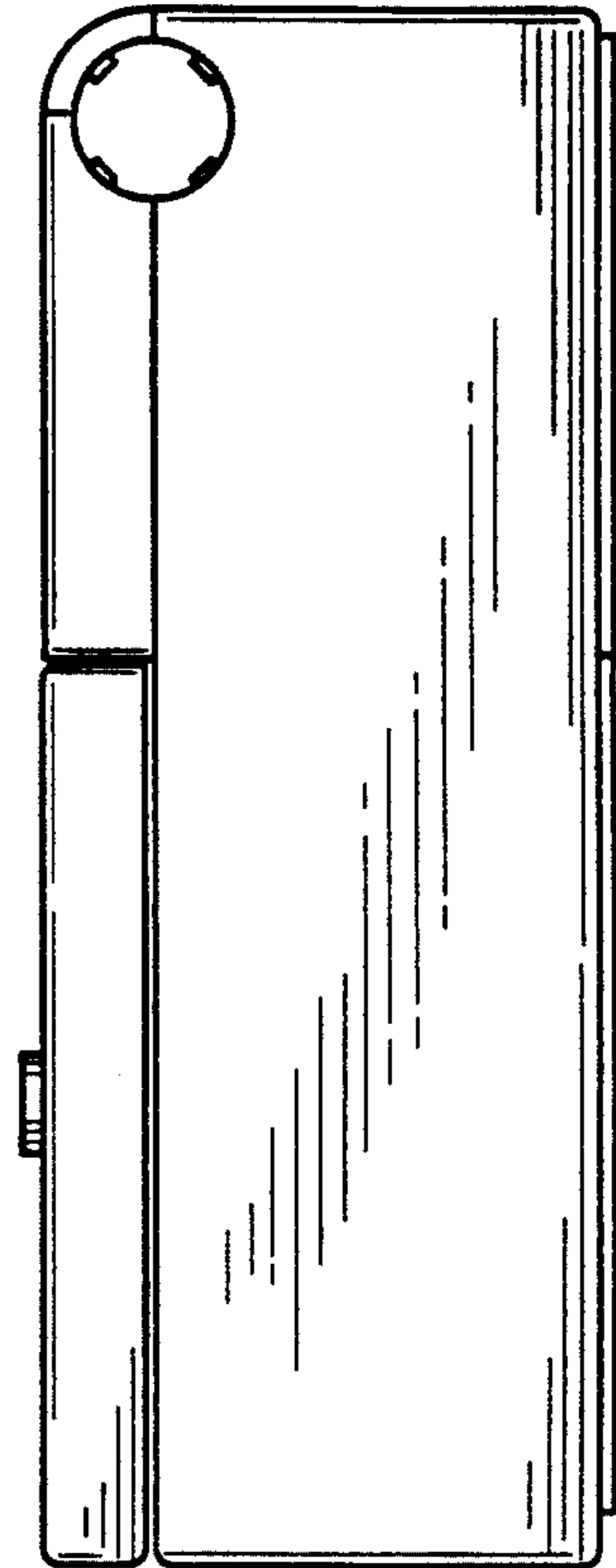
**FIG. 6**



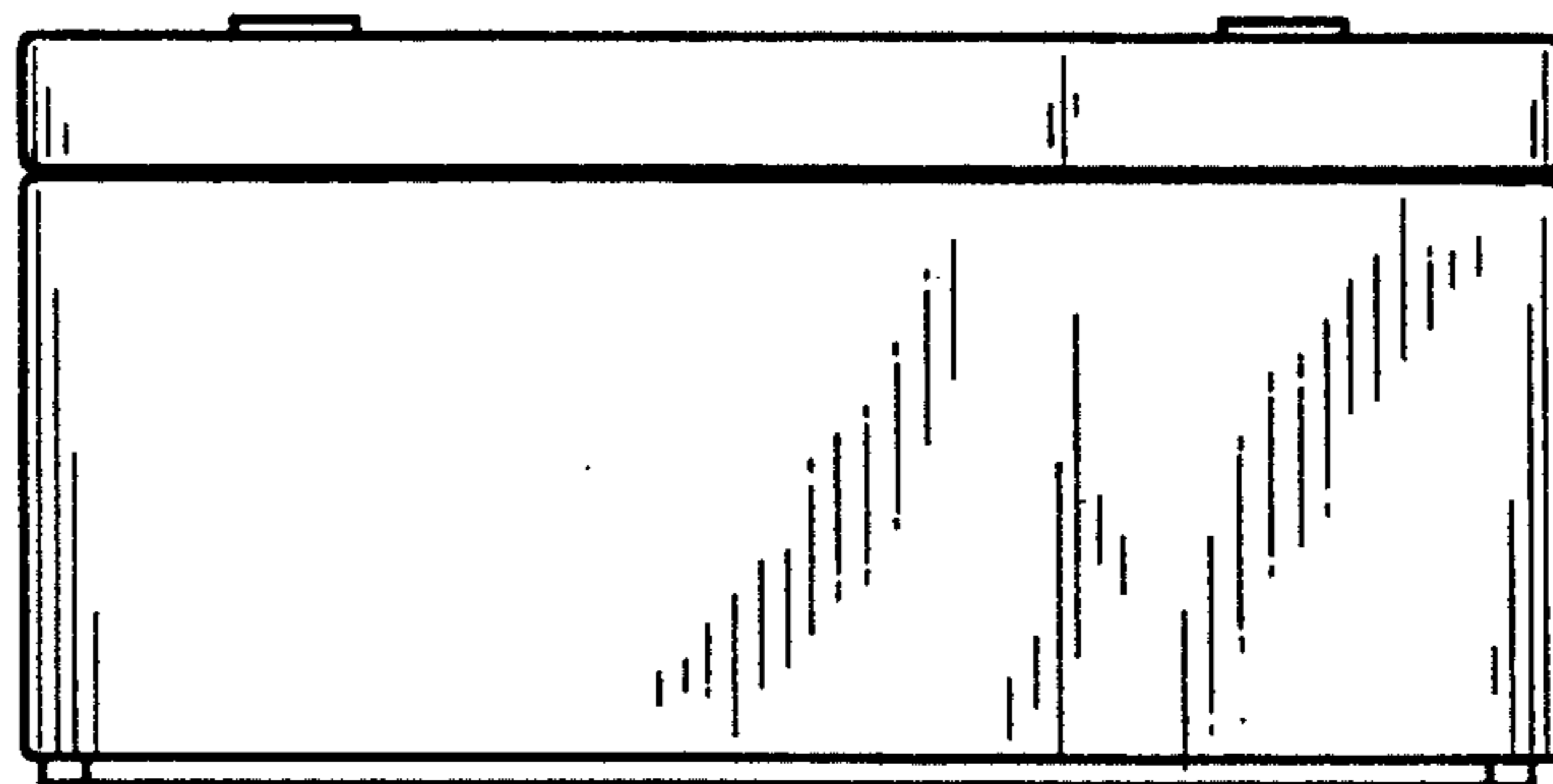
**FIG. 7**



**FIG. 8**



**FIG. 9**



UNITED STATES PATENT AND TRADEMARK OFFICE  
**CERTIFICATE OF CORRECTION**

PATENT NO. : Des. 348,133  
DATED : June 21, 1994  
INVENTOR(S) : Poul Solfjeld

It is certified that error appears in the above-identified patent and that said Letters Patent is hereby corrected as shown below:

On the title page, under "DESCRIPTION", after "FIG. 4, please add  
--FIG. 5 is a left side elevational view thereof;--

Signed and Sealed this  
Fourth Day of October, 1994

*Attest:*



**BRUCE LEHMAN**

*Attesting Officer*

*Commissioner of Patents and Trademarks*