



US00D348132S

# United States Patent [19]

[11] Patent Number: **Des. 348,132**

McCoy et al.

[45] Date of Patent: **\*\* Jun. 21, 1994**

[54] **CART**

[75] Inventors: **Stephen T. McCoy, Missouri City;**  
**Jack G. Clark, Jr., Houston, both of**  
**Tex.**

[73] Assignee: **E.B.S. Equipment Broker Services,**  
**Inc., Houston, Tex.**

[\*\*] Term: **14 Years**

[21] Appl. No.: **3,695**

[22] Filed: **Jan. 14, 1993**

[52] U.S. Cl. .... **D34/23; D34/17**

[58] Field of Search ..... **280/79.11, 79.4, 47.34,**  
**280/47.35, 651, 659, 79.3; D34/12, 17, 20, 21,**  
**23**

[56] **References Cited**

### U.S. PATENT DOCUMENTS

D. 302,891 8/1989 Lardell ..... **D34/12**  
D. 307,209 4/1990 Gallagher ..... **D34/17**

2,469,242 5/1949 Pohl .  
4,114,914 9/1978 Cohen .  
4,796,909 1/1989 Kirkendall .  
4,887,836 12/1989 Simjian .  
4,934,720 6/1990 Dobron ..... **280/79.11**

*Primary Examiner—Kay H. Chin*  
*Attorney, Agent, or Firm—Litman, McMahon & Brown*

### [57] CLAIM

The ornamental design for a cart, as shown and described.

### DESCRIPTION

FIG. 1 is a perspective view of a cart in accordance with the present invention;

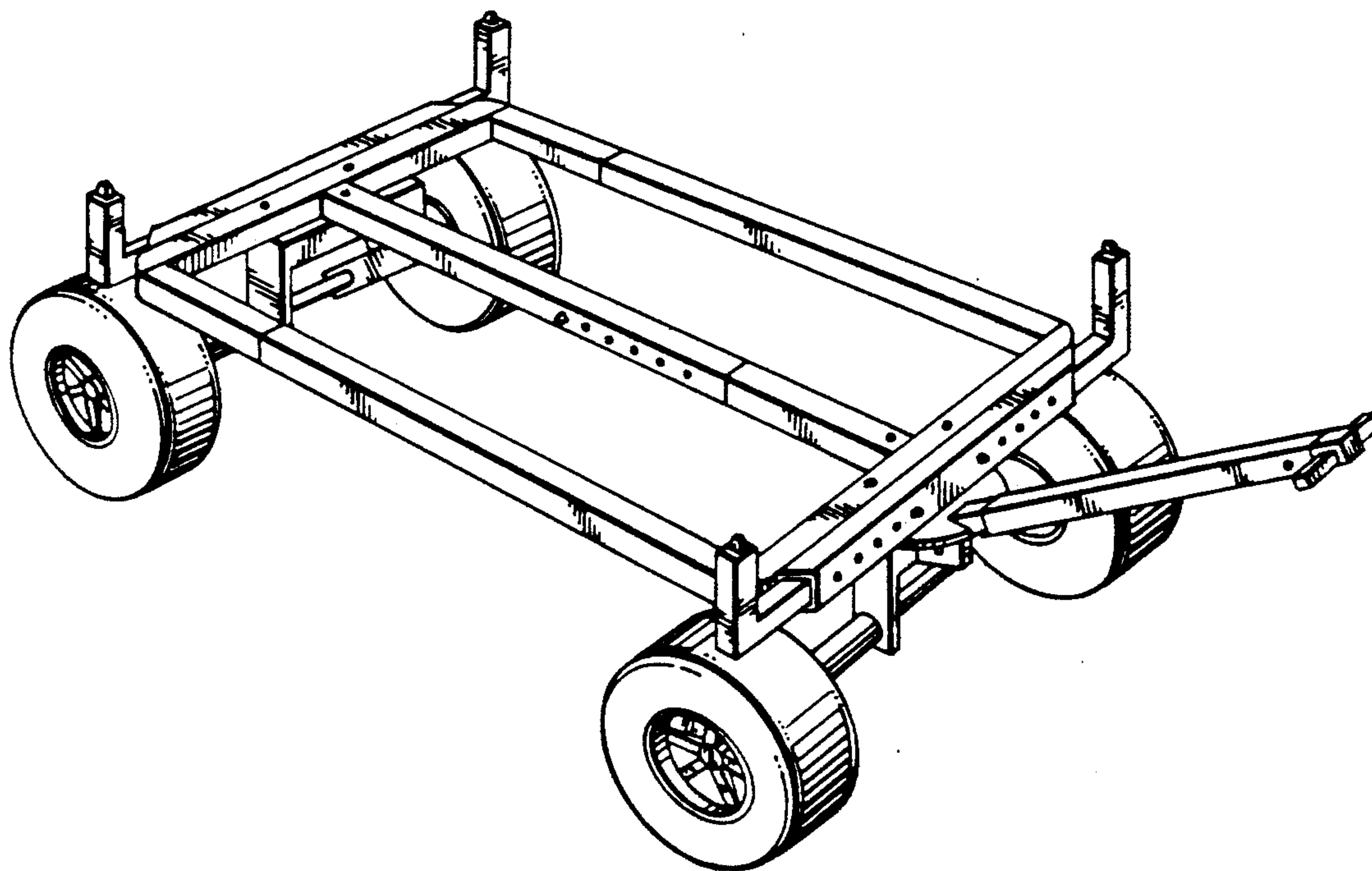
FIG. 2 is a front elevational view thereof;

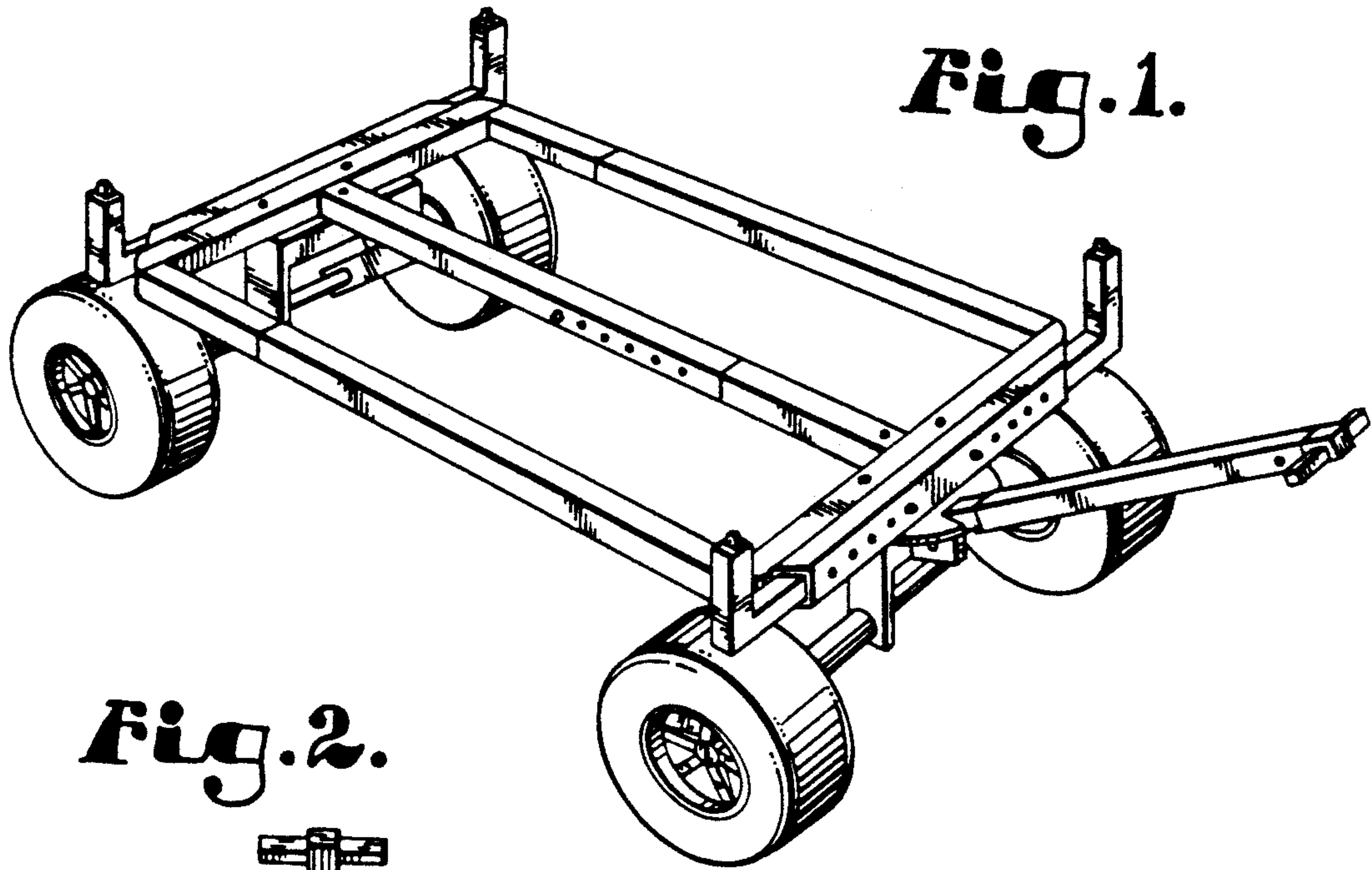
FIG. 3 is a rear elevational view thereof;

FIG. 4 is a top plan view thereof;

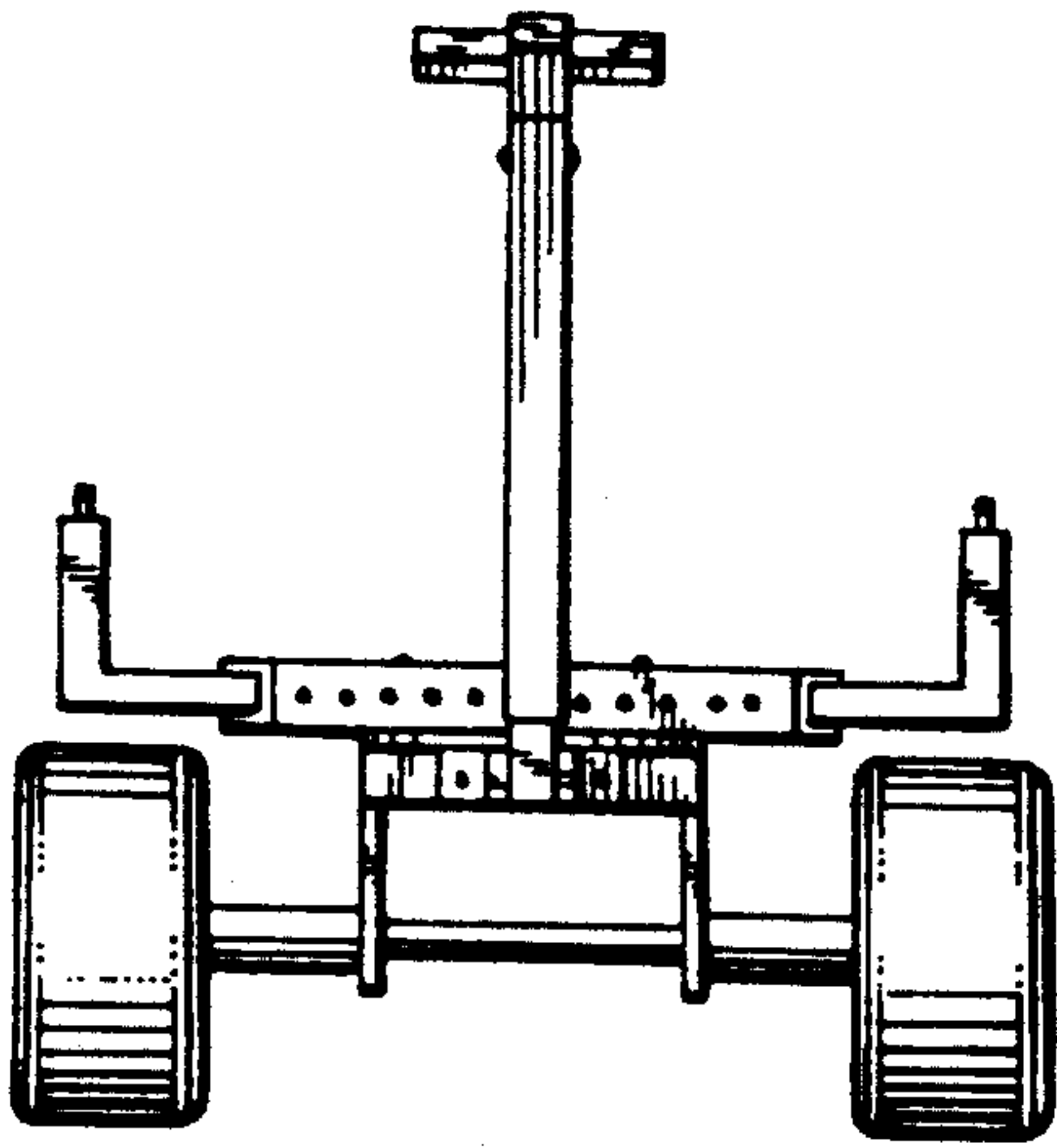
FIG. 5 is a first side elevational view thereof with the second side elevational view being a mirror image of the first side elevational view; and,

FIG. 6 is a bottom plan view thereof.

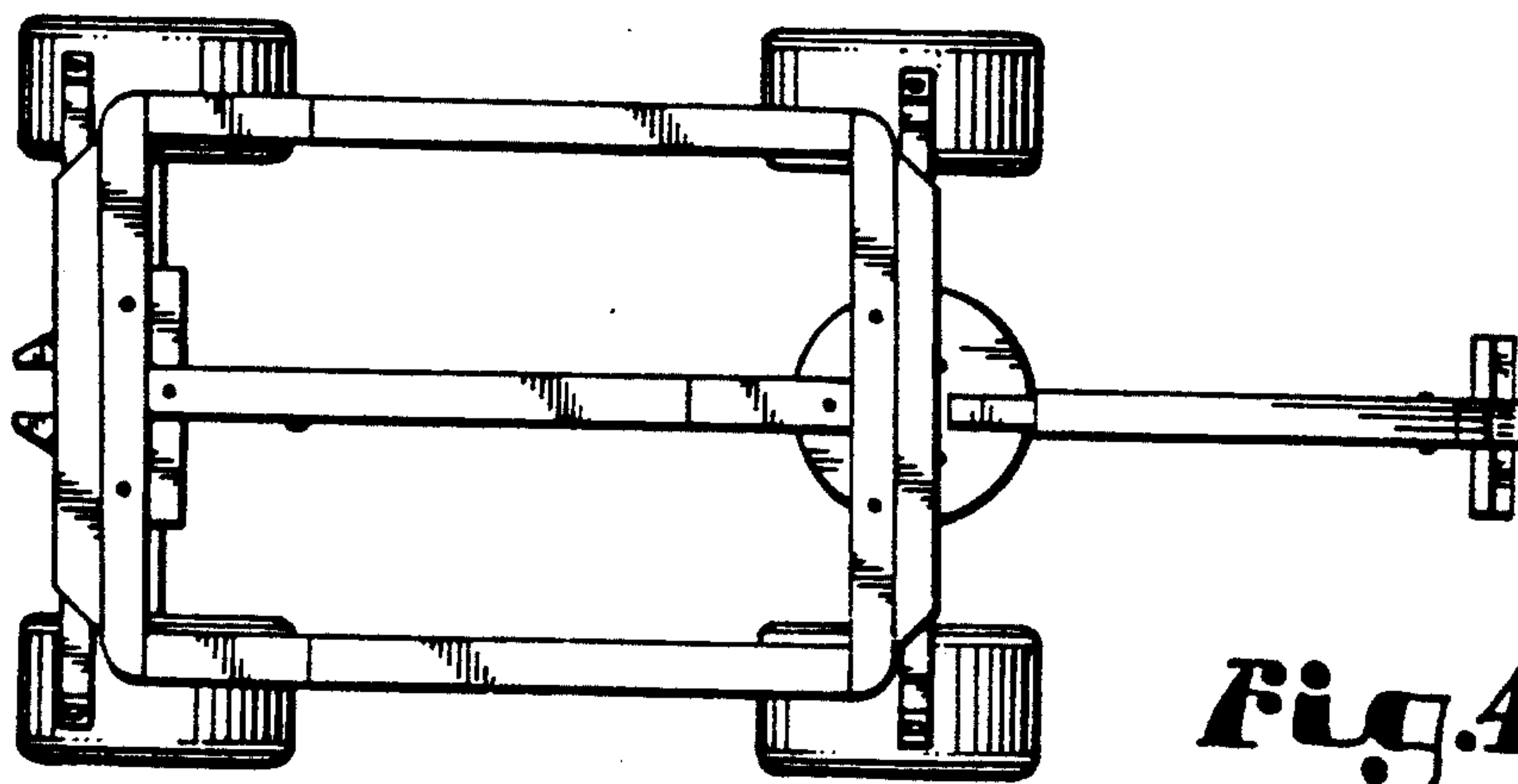
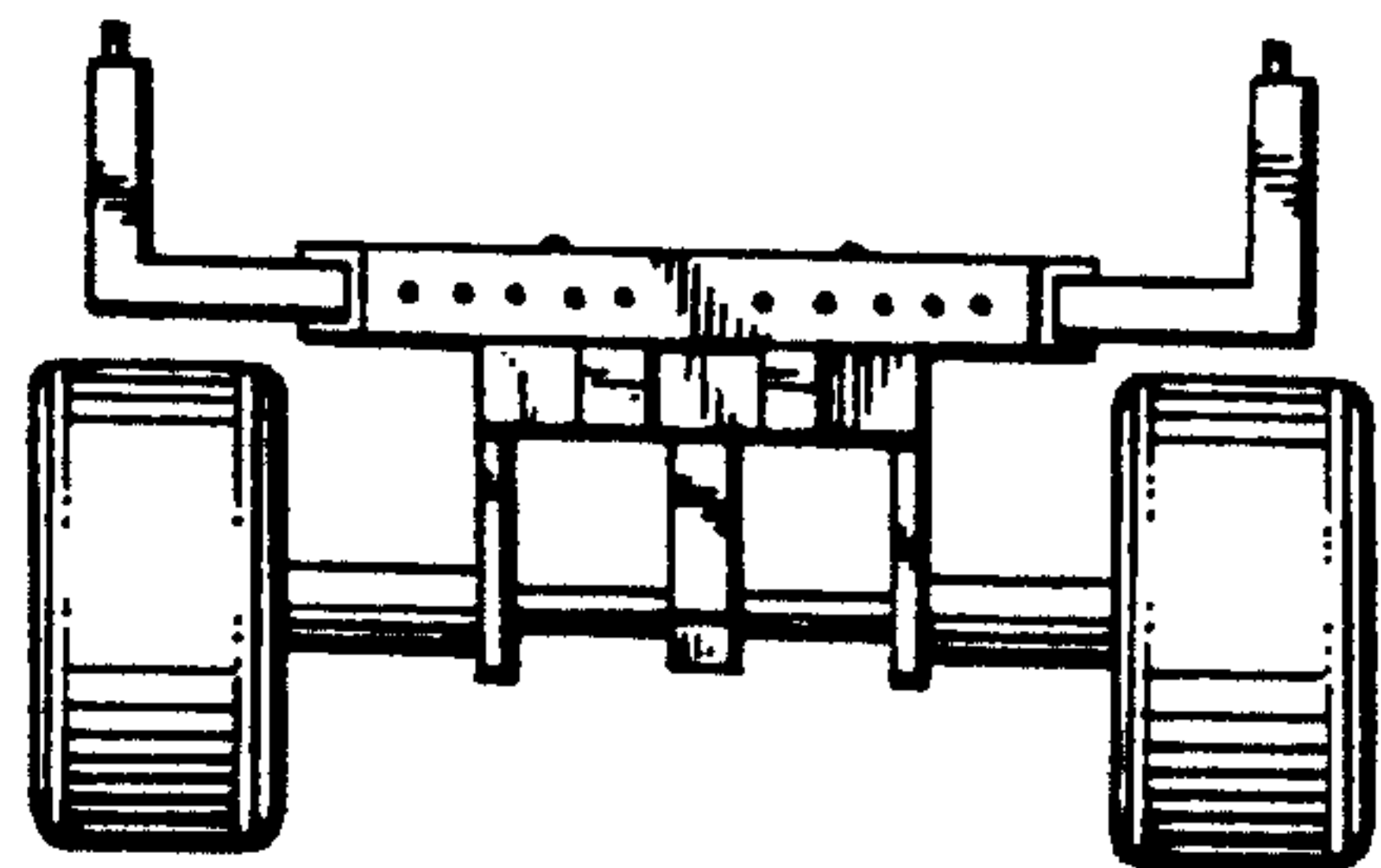




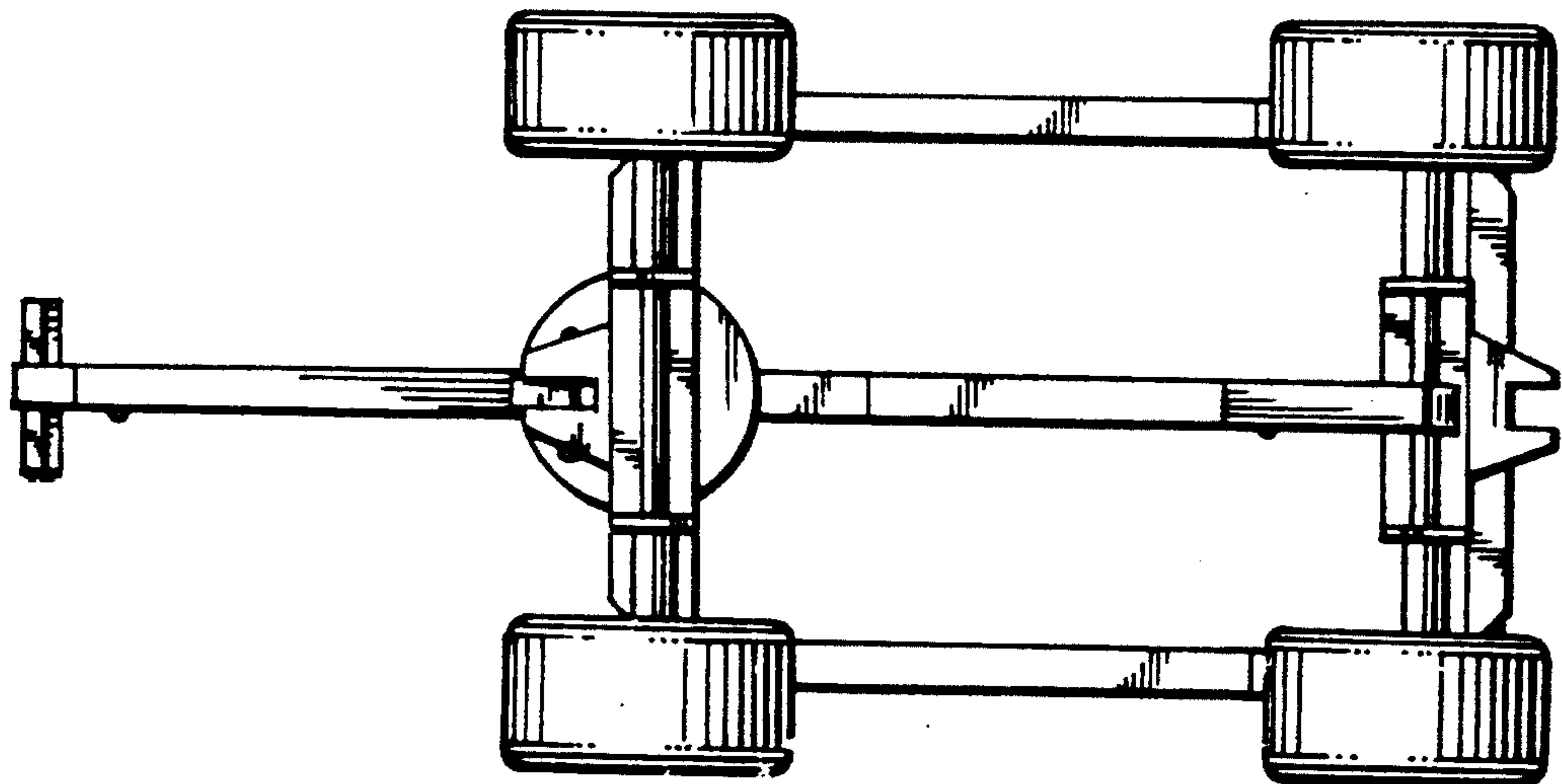
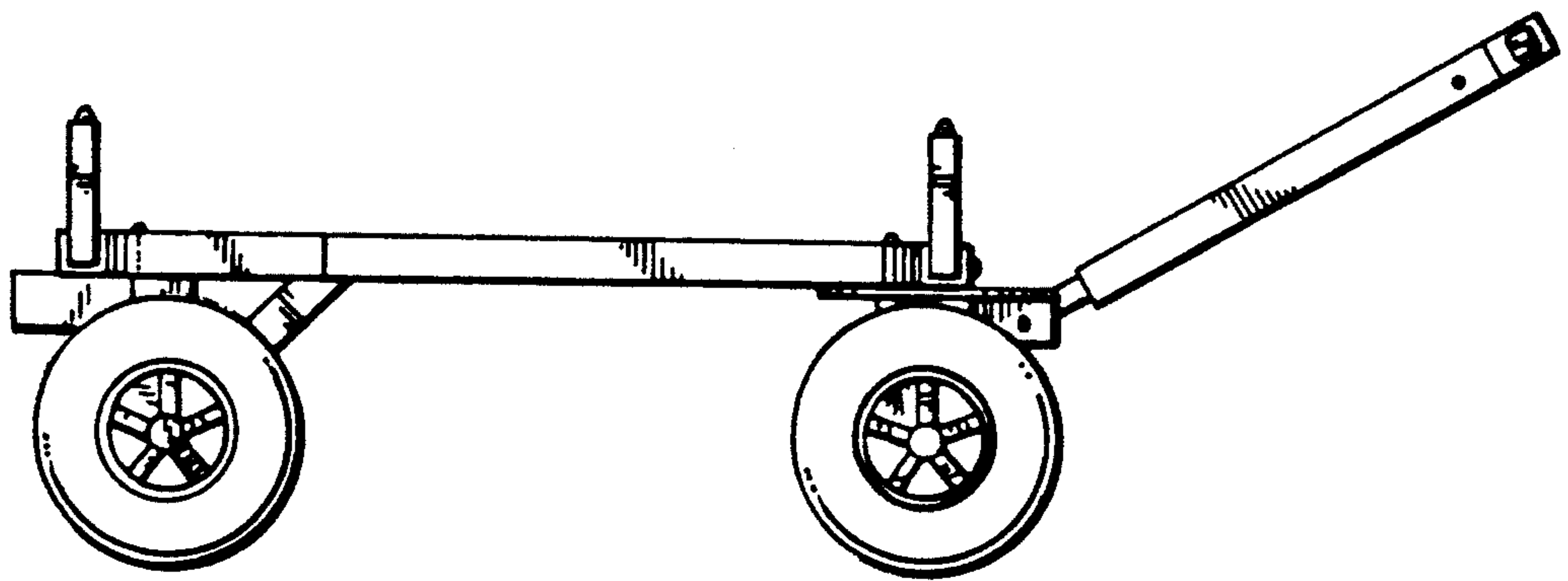
*Fig. 2.*



*Fig. 3.*



*Fig. 5.*



*Fig. 6.*