



US00D348129S

United States Patent [19]

[11] Patent Number: **Des. 348,129**

Wolff

[45] Date of Patent: **** Jun. 21, 1994**

[54] PAIL

[75] Inventor: **Stacy L. Wolff, Akron, Ohio**

[73] Assignee: **Rubbermaid Incorporated, Wooster, Ohio**

[**] Term: **14 Years**

[21] Appl. No.: **948,953**

[22] Filed: **Sep. 21, 1992**

[52] U.S. Cl. **D32/53; D32/37**

[58] Field of Search **15/260, 262, 264; 220/694-696, 773-774; D32/53, 53.1, 54, 37; D22/136**

[56] References Cited

U.S. PATENT DOCUMENTS

D. 193,654	9/1962	Voorhis	12/2
D. 194,784	3/1963	Voorhis	12/2
D. 200,265	2/1965	Smith et al.	D32/53
D. 204,507	4/1966	Davis	D32/53
D. 230,462	2/1974	Renou	D32/53
D. 233,003	10/1974	Karn et al.	D7/7
D. 270,961	10/1983	Hawkins et al.	D32/53
D. 285,498	9/1986	Thibault	D30/16
D. 289,452	4/1987	Fuller	D30/13
D. 291,612	8/1987	Inui	D32/53.1
D. 292,836	11/1987	Juergens	D32/53
D. 296,948	7/1988	Fuller	D32/53
D. 302,754	8/1989	Fuller	D30/129
D. 320,295	9/1991	Delmerico	D32/53
699,462	5/1902	Ehle .	
724,255	3/1903	Brown .	
1,164,050	12/1915	Zodac .	
1,202,761	10/1916	Crabtree .	
1,385,934	7/1921	Viner .	
1,464,548	8/1923	Stephens .	
1,489,394	4/1924	Moore .	
1,491,853	4/1924	Foust .	
1,607,095	11/1926	Miller .	
3,137,408	6/1964	Taylor	220/35
3,419,196	12/1968	Moore	220/773
4,574,969	3/1986	Mays	220/8

OTHER PUBLICATIONS

Sell Sheet, Manure Bucket; Ranch Master Inc., 10885-C Kolama River Road, Fountain Valley, Calif. 92708; It is believed that the Product depicted herein

has been on sale for more than one (1) year prior to the application date of this instant application, undated.

Sell Sheet, Muck Bucket; Fortifier Inc., Co. P.O. Box 4523, San Juan, Puerto Rico 00936; Publication Date 1985.

Sell Sheet, Buckets; Dan's Saddlery, 65 Mahan St., West Babylon, N.Y. 11704; Publication Date 1986.

Price list, Pail; Frem Corporation, 60 Webster Place, P.O. Box 4, Worcester, Mass. 01603-0004; May 1, 1991.

P. 38, Pails; Tucker Housewares, 345 Central St., Leominster, Mass. 01453; Publication Date 1988.

Catalog Page, Pails, Sterilite, 198 Main St., P.O. Box 524, Townsend, Mass. 01469; Publication Date 1991.

P. 6, Buckets; Curver, Takkebijsters 75, Postbus 6810, 4802 HV Breda, Netherlands; Publication Date 1983.

P. 3, Pail; Ingrid Housewares, Price Catalog, 360 N. Skokis Highway, North Chicago, Ill. 60064; Publication Date Jan. 1990.

Label, Tub; Maidware, 200 Milliken Dr., S.E. Hebron, Ohio 43025; It is believed that the Product depicted herein has been on sale for more than one (1) year prior to the application date of this instant application, undated.

P. 2, Buckets; Curver-Rubbermaid Group, Takkebijsters 75, Postbus 6810, 4802 HV Breda, Netherlands; Publication Date 1991.

(List continued on next page.)

Primary Examiner—Wallace R. Burke

Assistant Examiner—Robin V. Taylor

Attorney, Agent, or Firm—Richard B. O'Planick; Lisa B. Riedesel

[57] CLAIM

The ornamental design for a pail, as shown and described.

DESCRIPTION

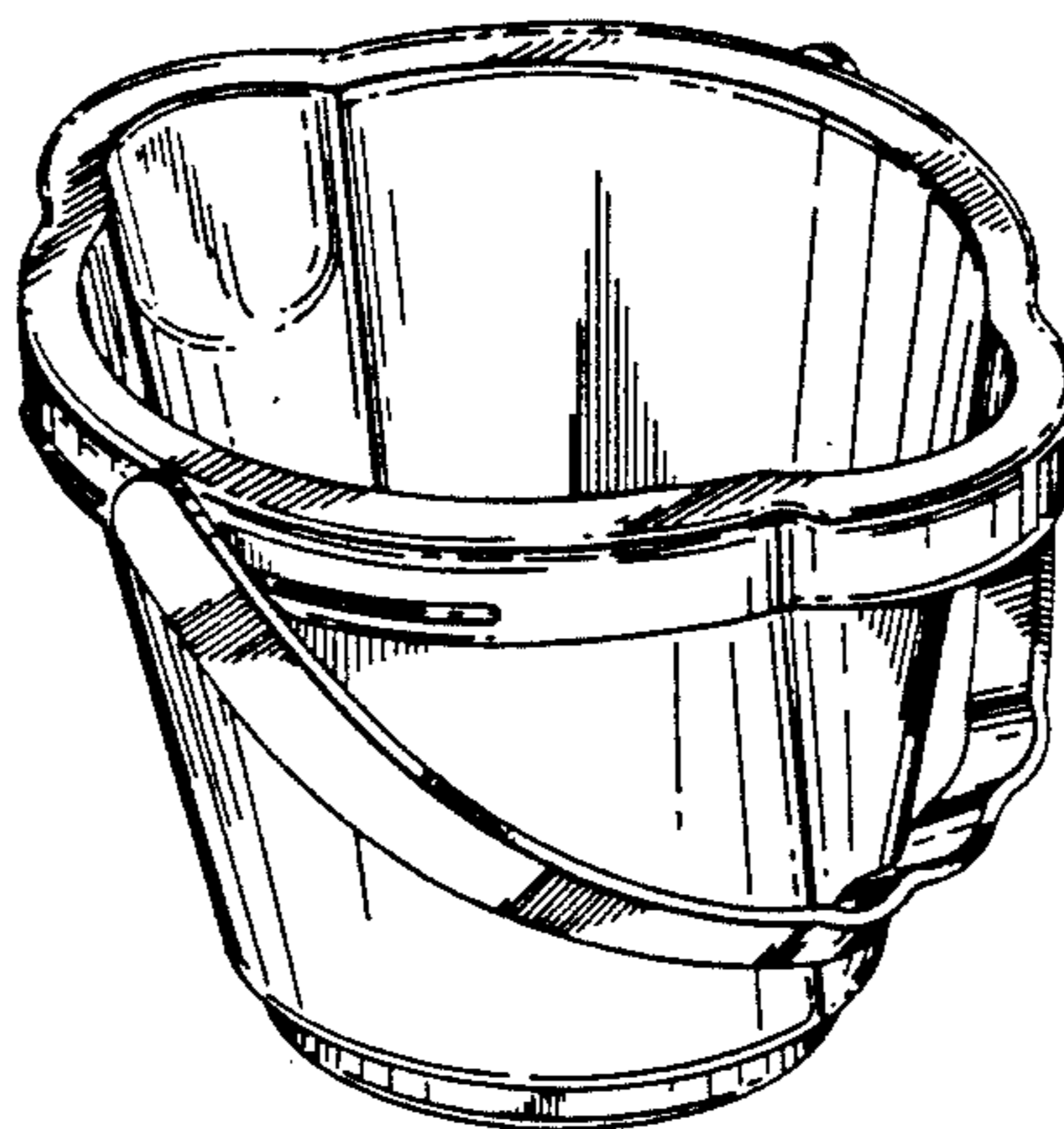
FIG. 1 is a top left front perspective view of a pail showing my new design;

FIG. 2 is a front elevational view thereof;

FIG. 3 is a right side elevational view thereof, the left side being a mirror image;

FIG. 4 is a top plan view thereof; and,

FIG. 5 is a bottom plan view thereof.



OTHER PUBLICATIONS

P. 26, Pail; Curver, Takkebijsters 75, Postbus 6810, 4802 HV Breda, Netherlands; Publication Date 1983.

P. 99, Pail; The Little Tikes Co. 2180 Barlow Rd., Hudson, Ohio, 44236; Publication Date 1990.

P. 17, Buckets; Rubbermaid Commercial Products, Inc.; 3124 Valley Ave. Winchester, Va. 22601; Publication Date Feb. 1978.

Pp. 4, 5, 6, & 7, Buckets; Rubbermaid Commercial Products, Inc.; 3124 Valley Ave. Winchester, Va. 22601; Publication Date Oct. 1989.

Pp. 30 & 31, Buckets, Rubbermaid Commercial Products, Inc.; 3124 Valley Ave. Winchester, Va. 22601; Publication Date May. 1989.

P. 4, Buckets; Dupol-Rubbermaid, GmbH, AnDer Trift 631, D-6072 Dreieich, West Germany; Publication date 1989.

P. 27, Buckets; Rubbermaid Incorporated, 1147 Akron Rd., Wooster, Ohio 44691; Publication Date 1990.

Patent Drawings, Bucket, Rubbermaid Incorporated, 1147 akron Rd., Wooster, Ohio 44691; The product depicted herein is the subject of currently pending application Ser. No. 674,024 filed Mar. 22, 1991.

Patent Drawings, Bucket, Rubbermaid Incorporated, 1147 Akron Rd., Wooster, Ohio 44691; The product depicted herein is the subject of currently pending application Serial No. 674,542 filed Mar. 22, 1991.

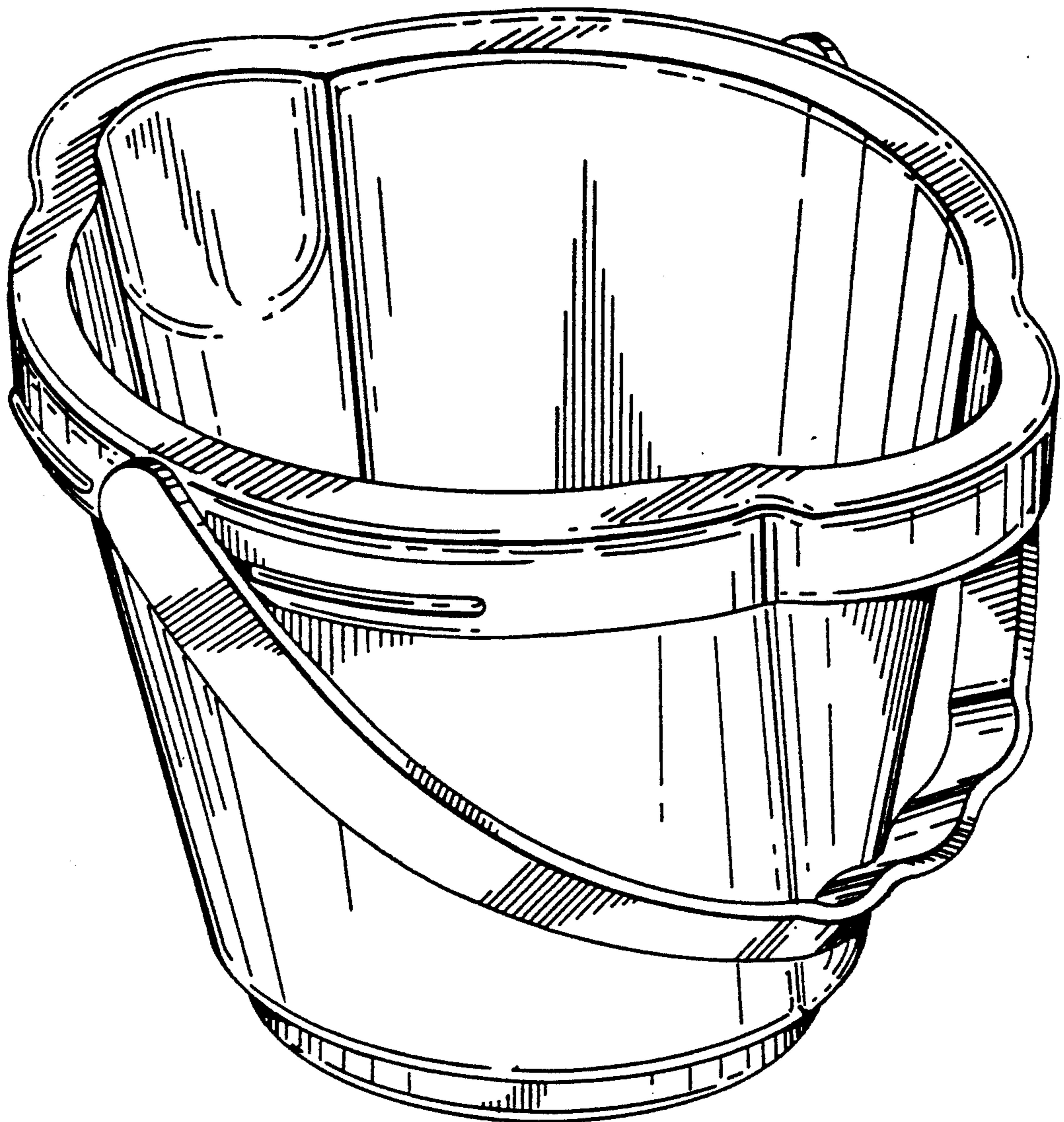


FIG. 1

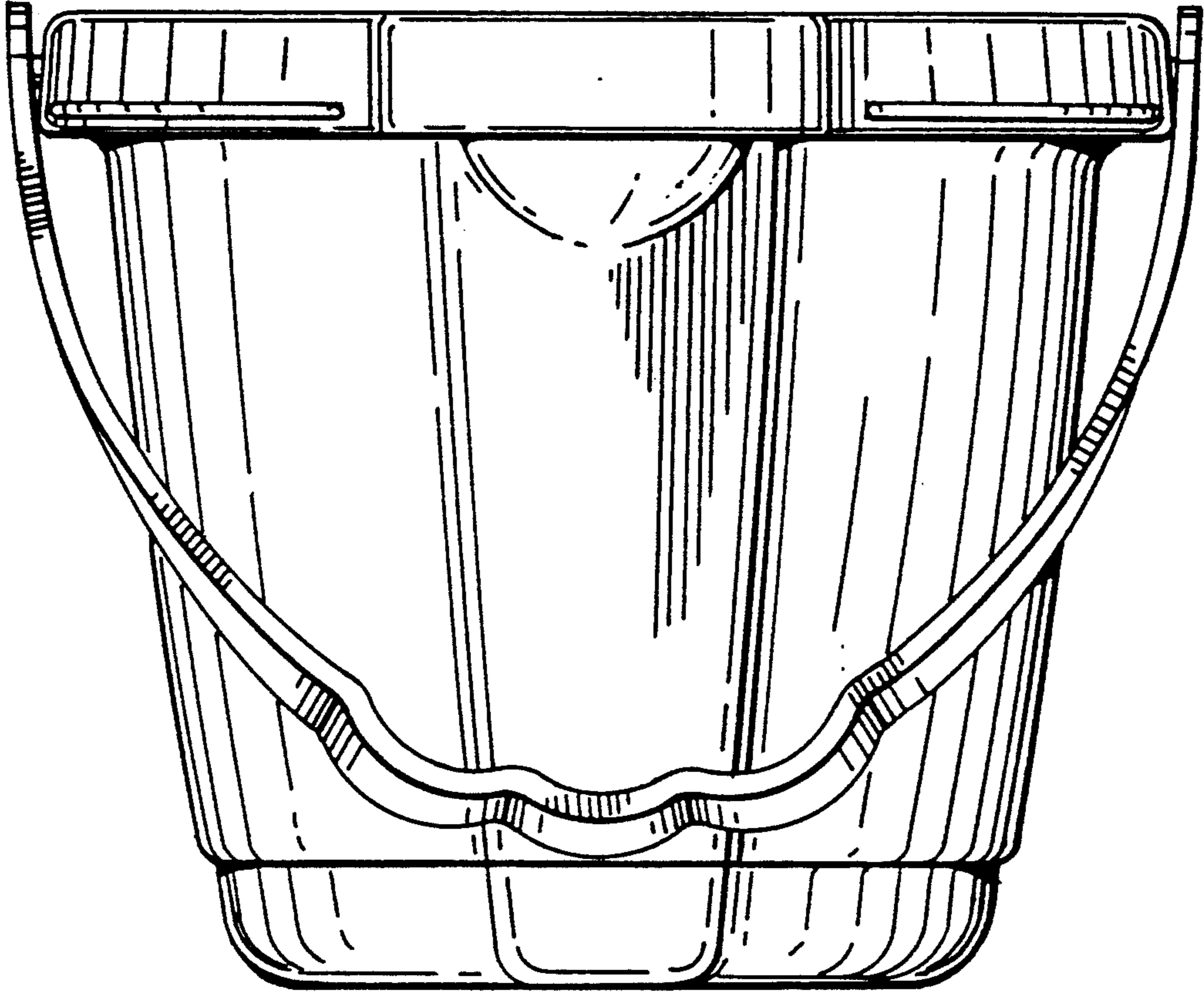


FIG. 2

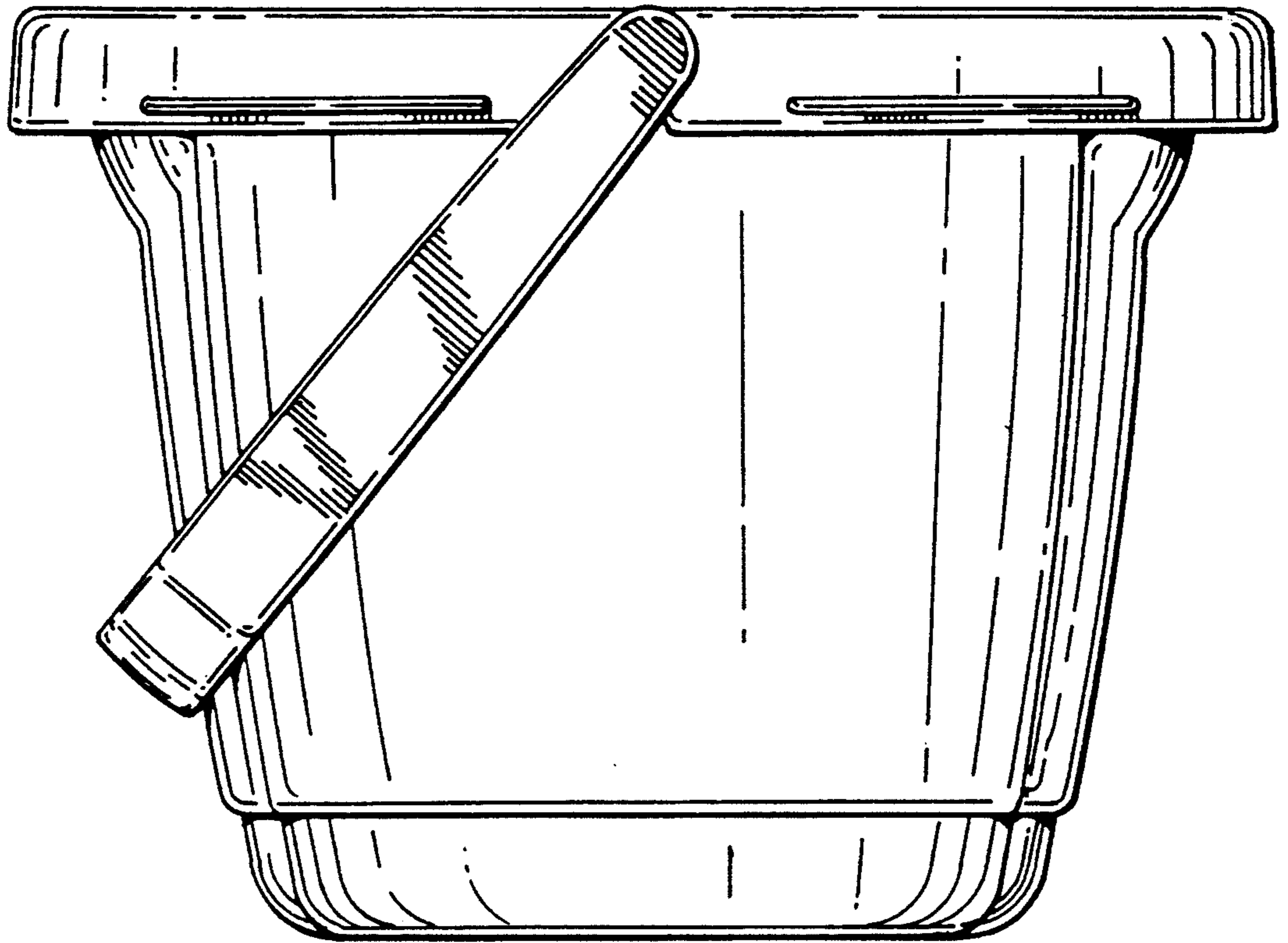


FIG. 3

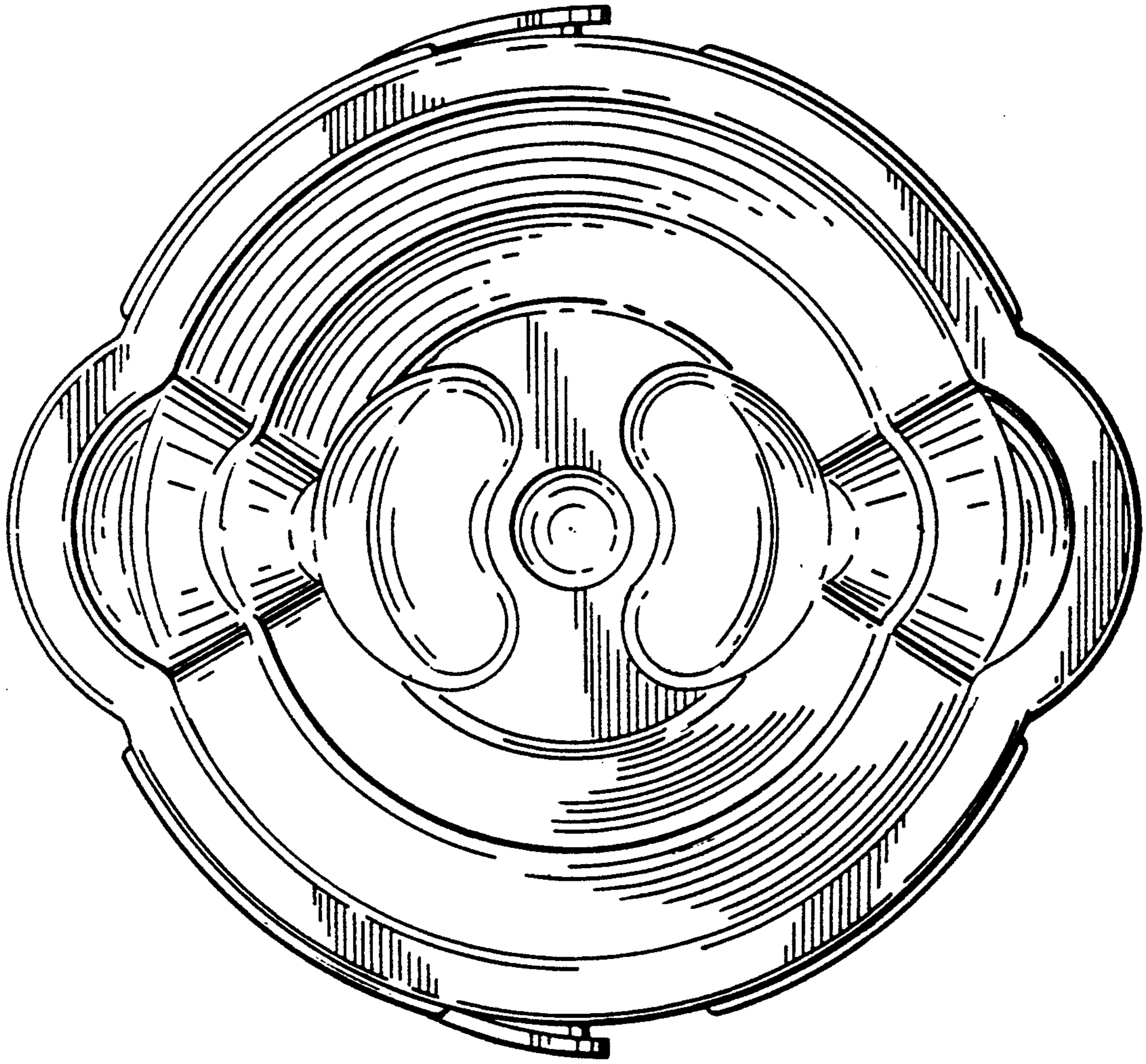


FIG. 4

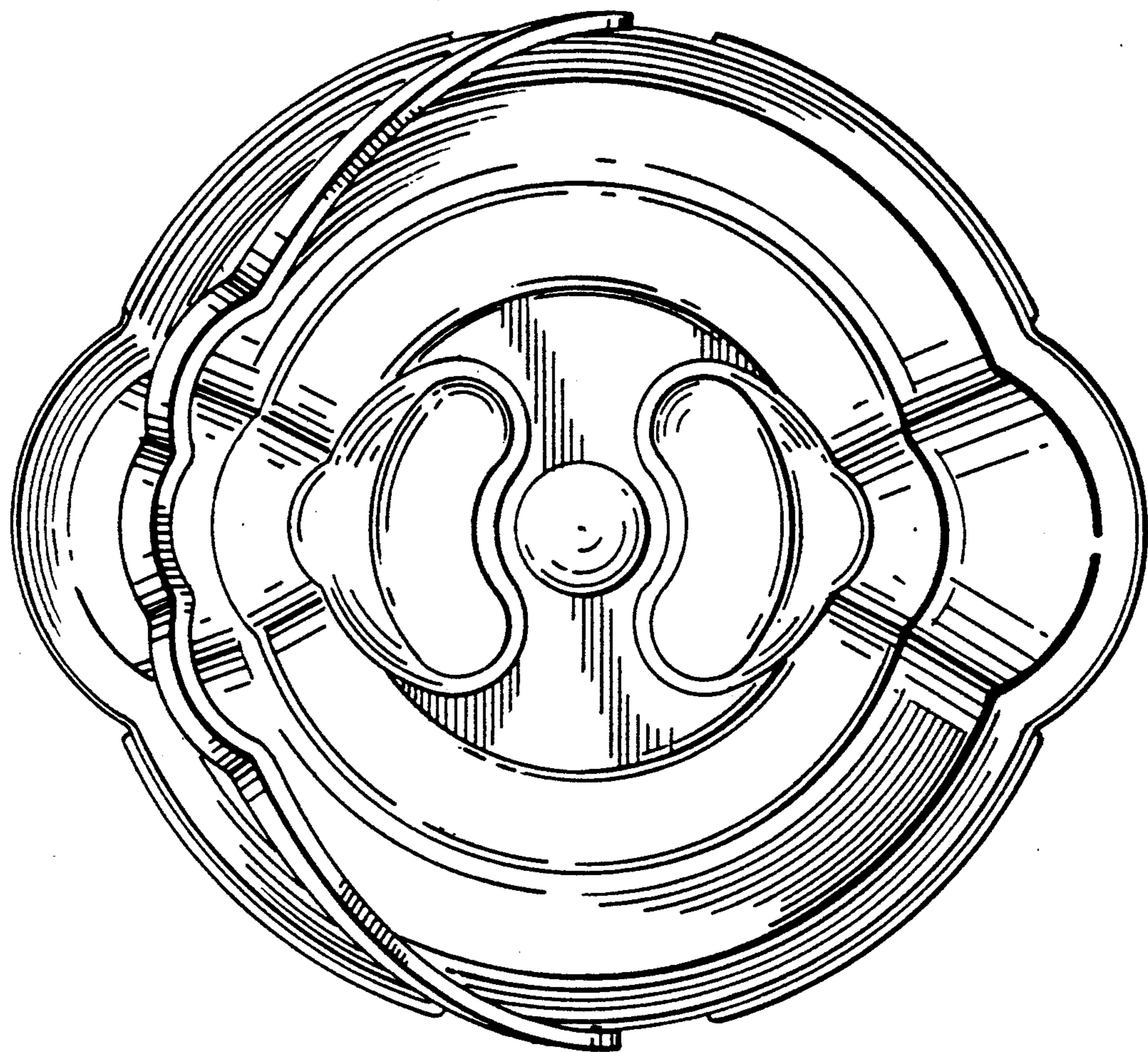


FIG. 5