



US00D348125S

United States Patent [19]

[11] Patent Number: **Des. 348,125**

Emmerson et al.

[45] Date of Patent: **** Jun. 21, 1994**

[54] **GOLF BALL WASHER ENCLOSURE**

3,044,089	7/1962	Boynton	15/21.2
3,102,291	9/1963	Frater	15/21
3,125,775	3/1964	Clifton	15/21.2
4,577,778	3/1986	Kim	220/404
5,014,985	5/1991	Capps	15/21.2

[75] Inventors: **Colin Emmerson**, Bermuda Dunes;
Cindy S. Wilson, Palm Desert, both
of Calif.

[73] Assignee: **Westinghouse Electric Corporation**,
Pittsburgh, Pa.

Primary Examiner—Ruth McInroy
Attorney, Agent, or Firm—Carla J. Vrsansky

[**] Term: **14 Years**

[57] **CLAIM**

[21] Appl. No.: **823,639**

The ornamental design for a golf ball washer enclosure,
as shown and described.

[22] Filed: **Jan. 21, 1992**

DESCRIPTION

[52] U.S. Cl. **D32/1**

[58] Field of Search 220/404; 15/301-303,
15/21.2, 97.1; D32/1

FIG. 1 is a perspective view of a golf ball washer enclosure showing our new design;

FIG. 2 is a front elevation view thereof;

FIG. 3 is a rear elevation view thereof;

FIG. 4 is a left side elevation view thereof;

FIG. 5 is a right side elevation view thereof;

FIG. 6 is a top plan view thereof; and,

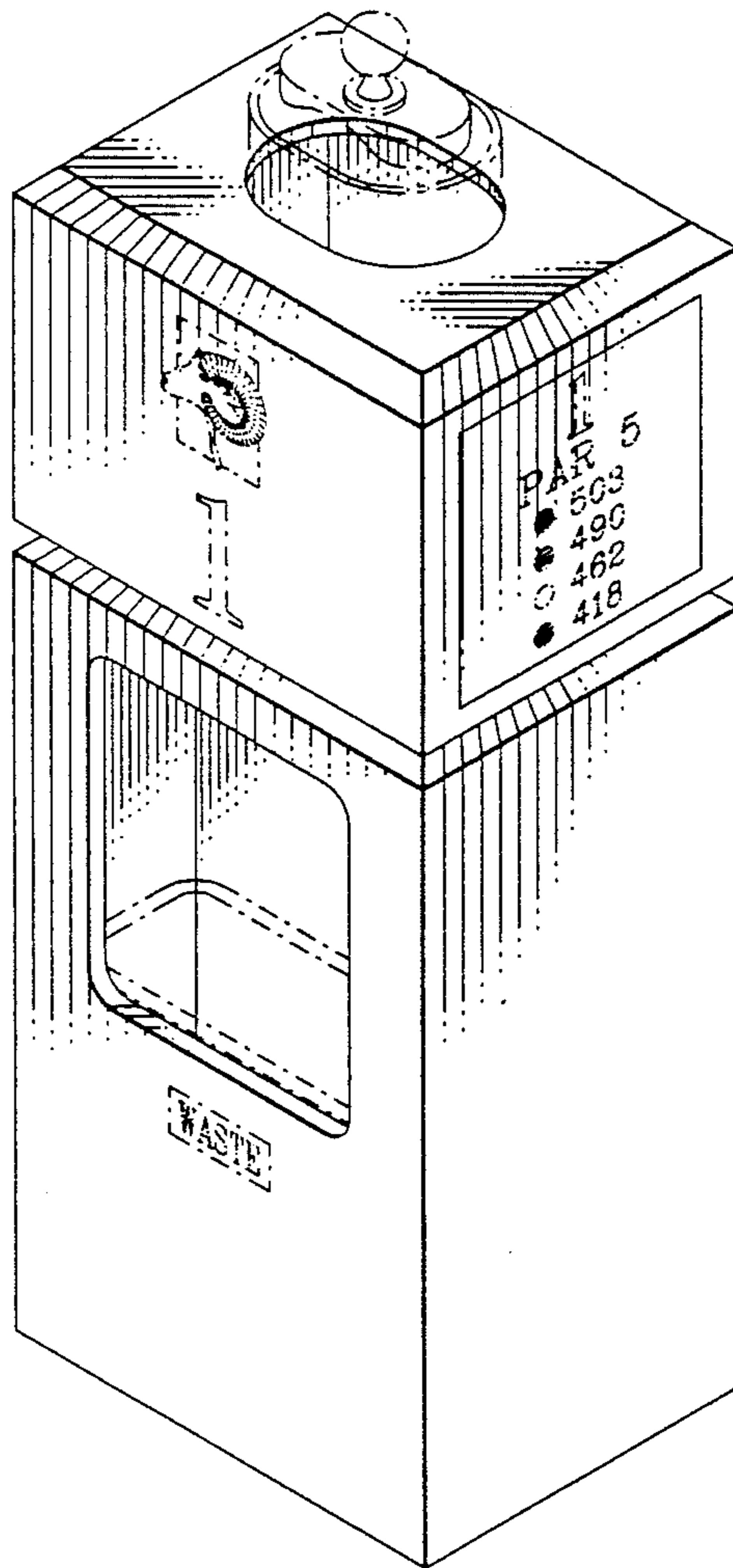
FIG. 7 is a bottom plan view thereof.

The golf ball washer, wastebasket, logo and hole indicia are shown in broken lines in FIGS. 1-6 for illustrative purposes only and form no part of the claimed design.

[56] **References Cited**

U.S. PATENT DOCUMENTS

D. 199,238	9/1964	Harkins	D32/1
D. 246,810	12/1977	Genova	D34/5 CB
1,747,724	2/1930	Mollart	
2,469,948	5/1949	Bune	15/21.2
2,733,464	2/1956	Mieux	15/21.2



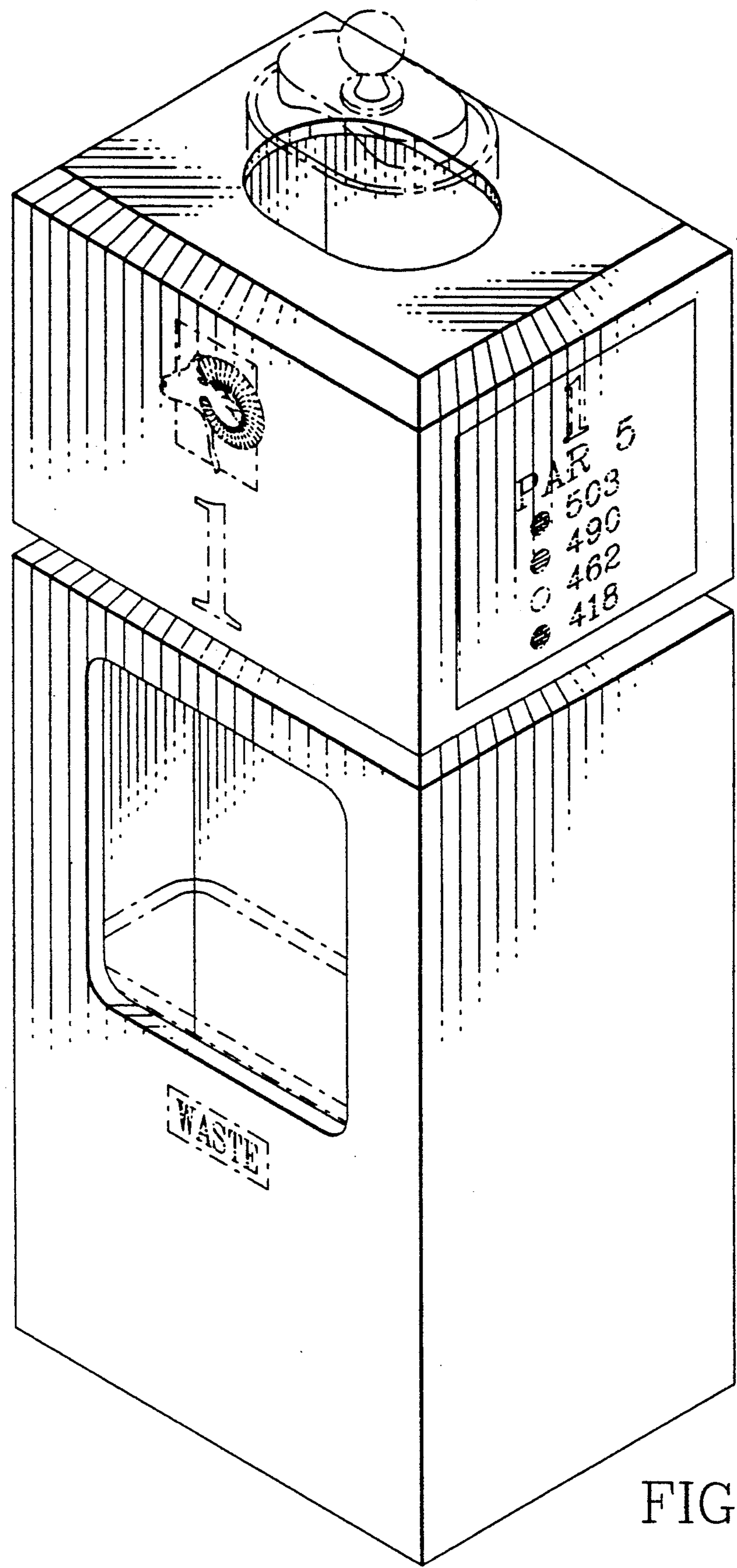


FIG. 1

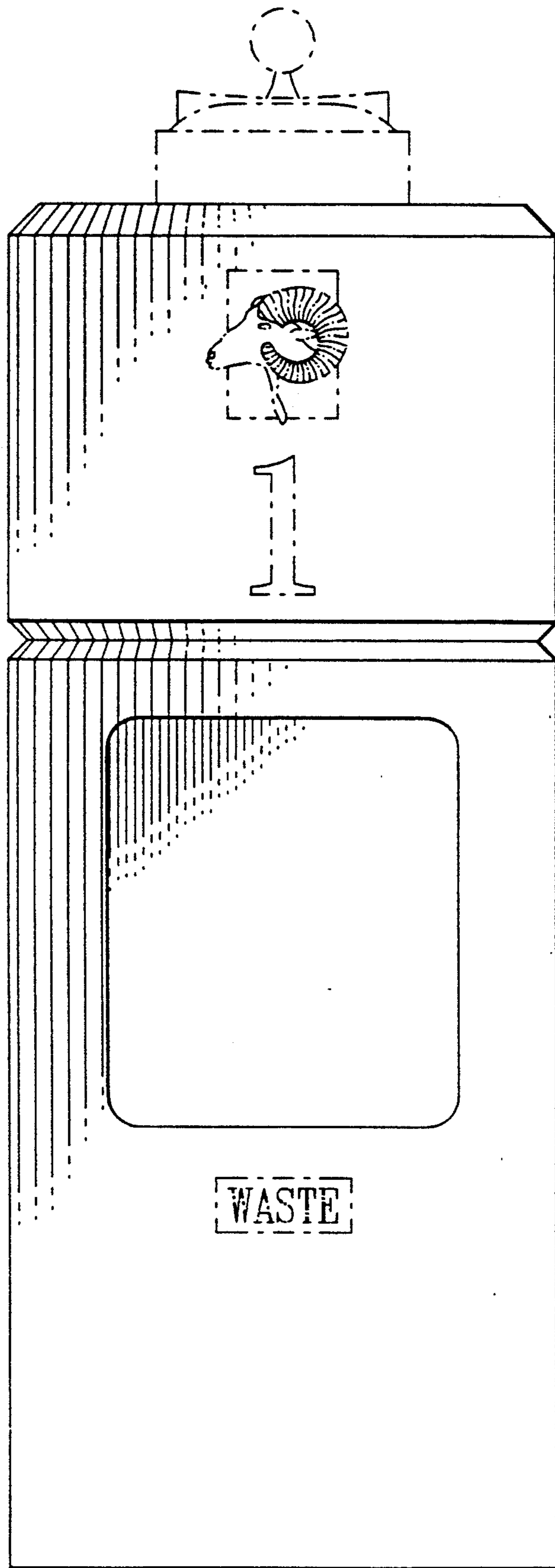


FIG. 2

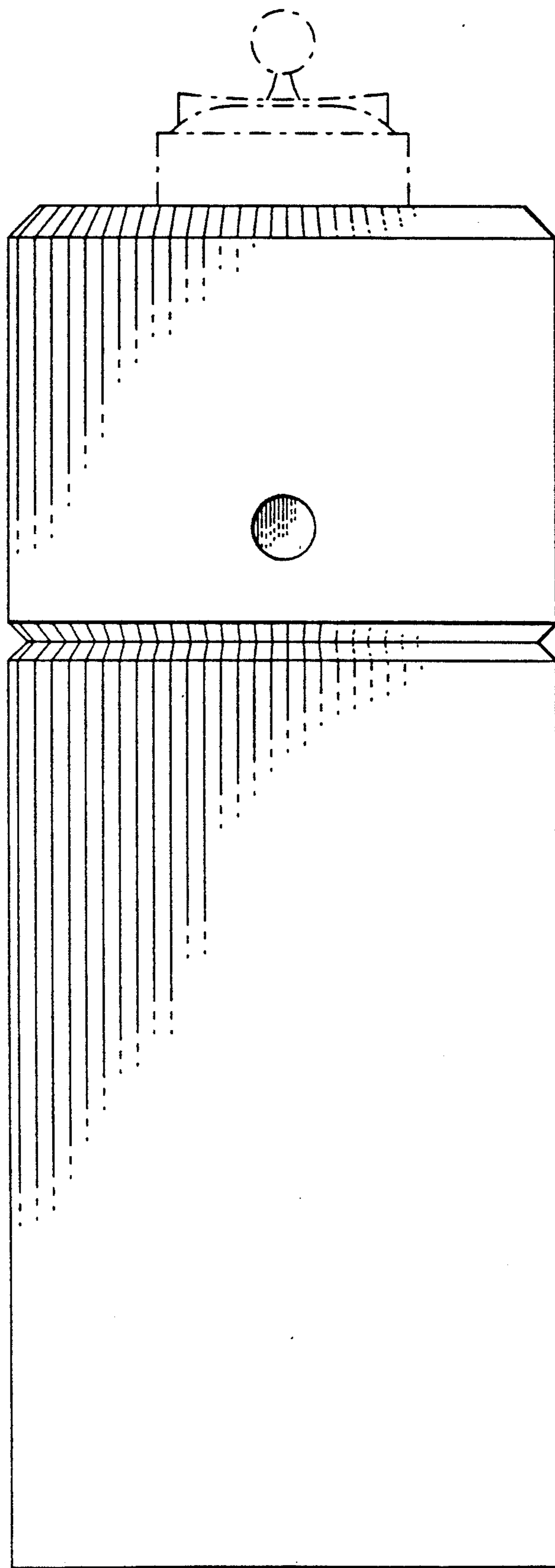
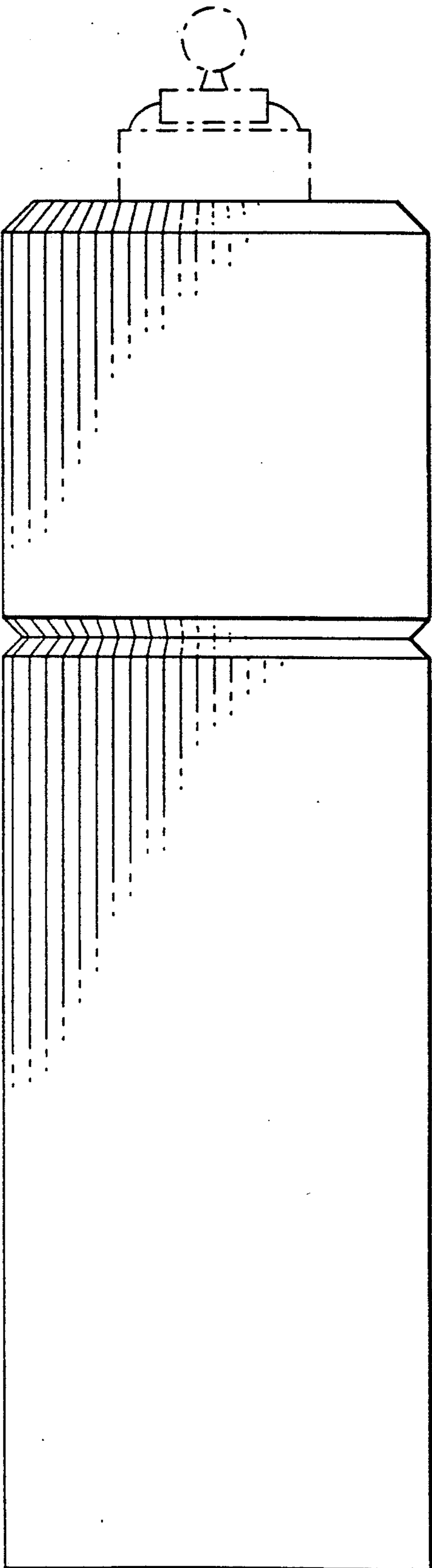
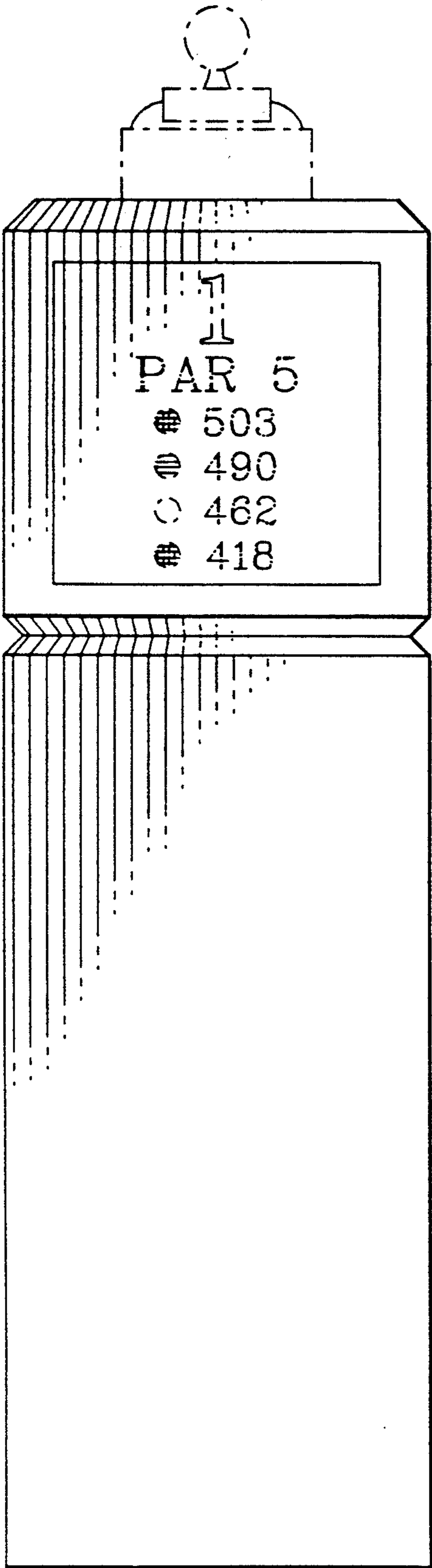


FIG. 3



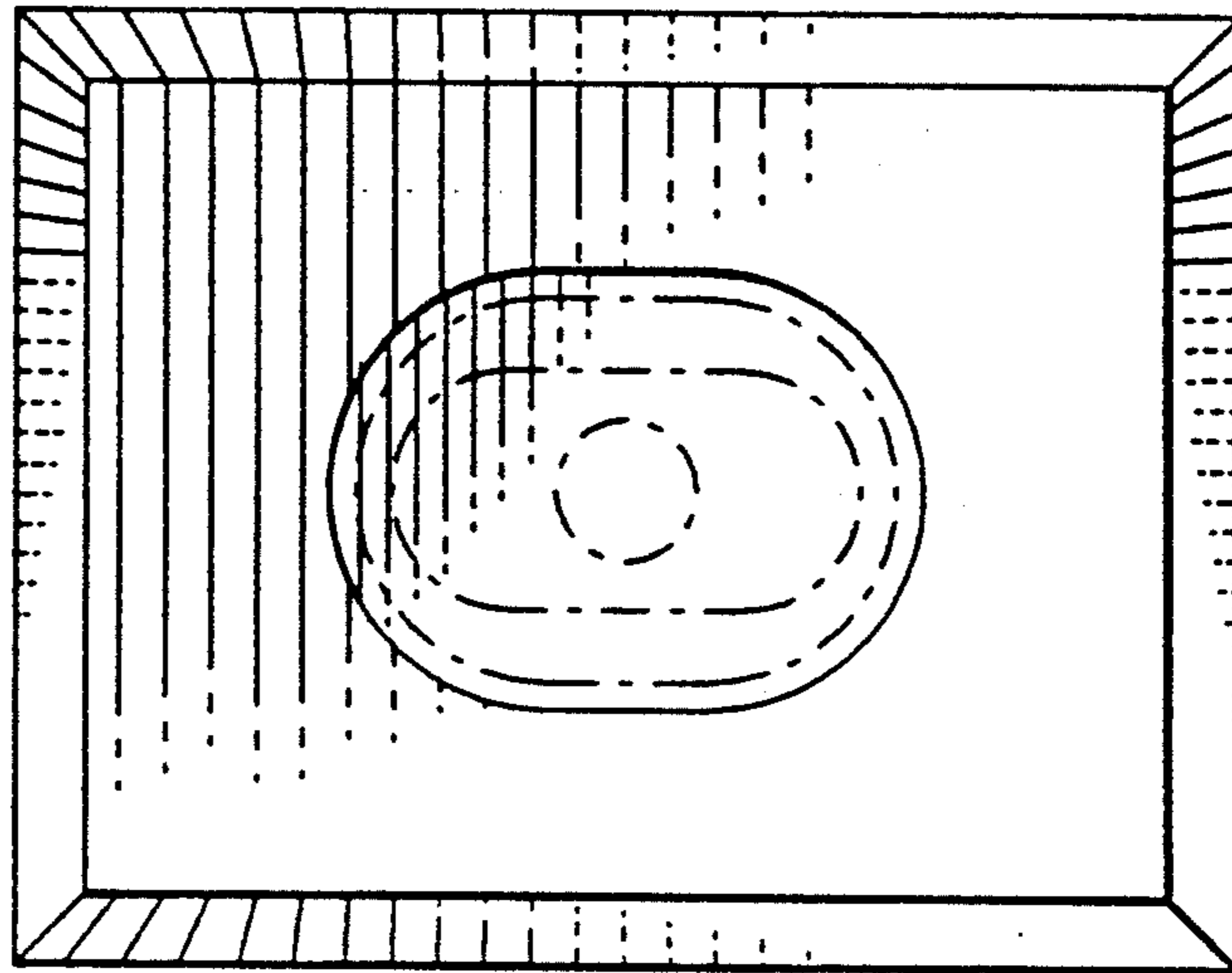


FIG. 6

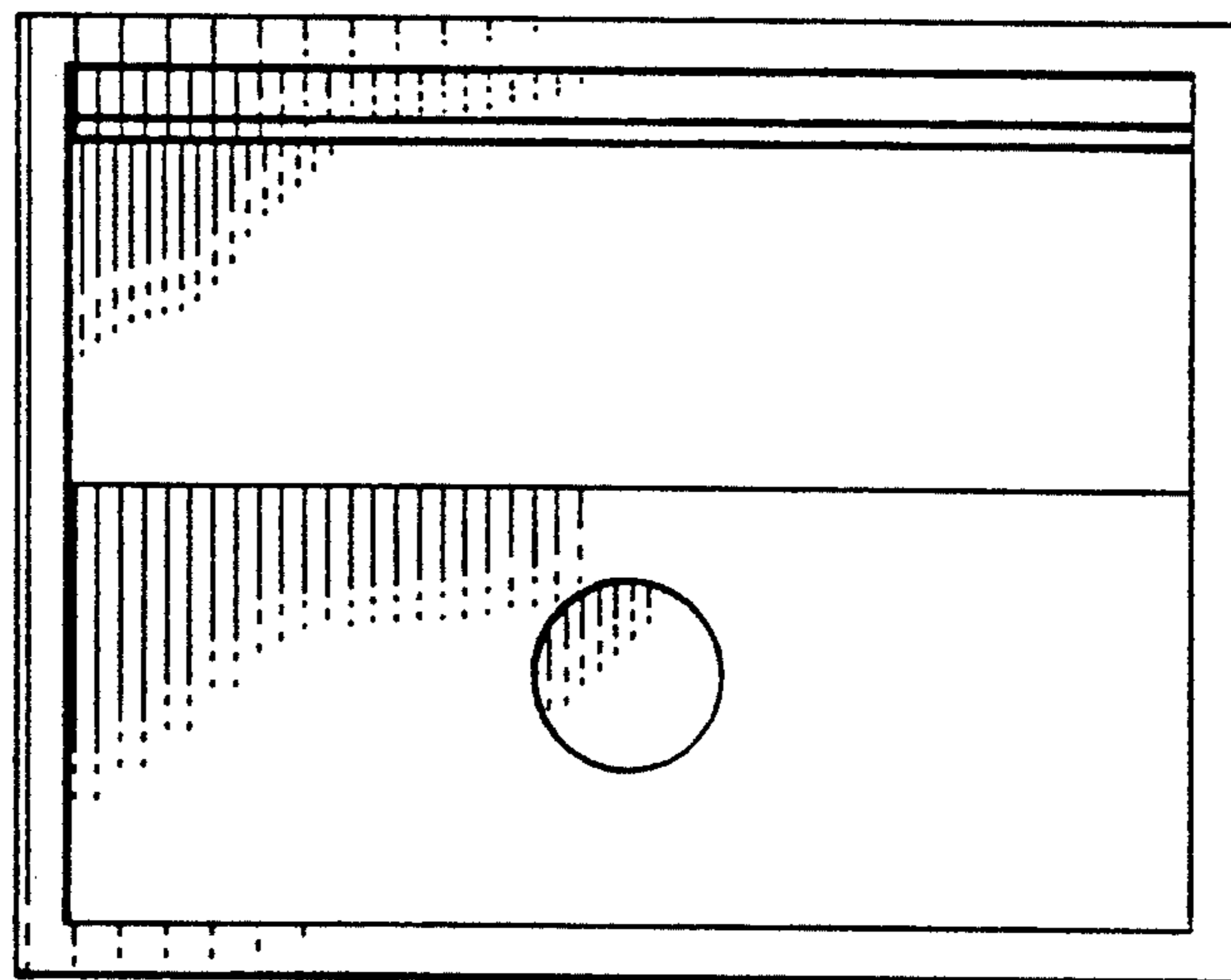


FIG. 7