



US00D348117S

United States Patent [19]

[11] Patent Number: **Des. 348,117**

Richardson

[45] Date of Patent: **** Jun. 21, 1994**

[54] NOVELTY TABLE LAMP

[76] Inventor: **Dale R. Richardson**, 3-2600
Kaunualii Highway-#3039, Lihue,
Hi. 96766

[**] Term: **14 Years**

[21] Appl. No.: **856,179**

[22] Filed: **Mar. 23, 1992**

[52] U.S. Cl. **D26/94**

[58] Field of Search 362/806; D26/73, 94;
D11/157, 131; D19/97

[56] **References Cited**

U.S. PATENT DOCUMENTS

D. 100,543 7/1936 Cullinan D19/97
2,485,530 10/1949 Dore D26/94 X

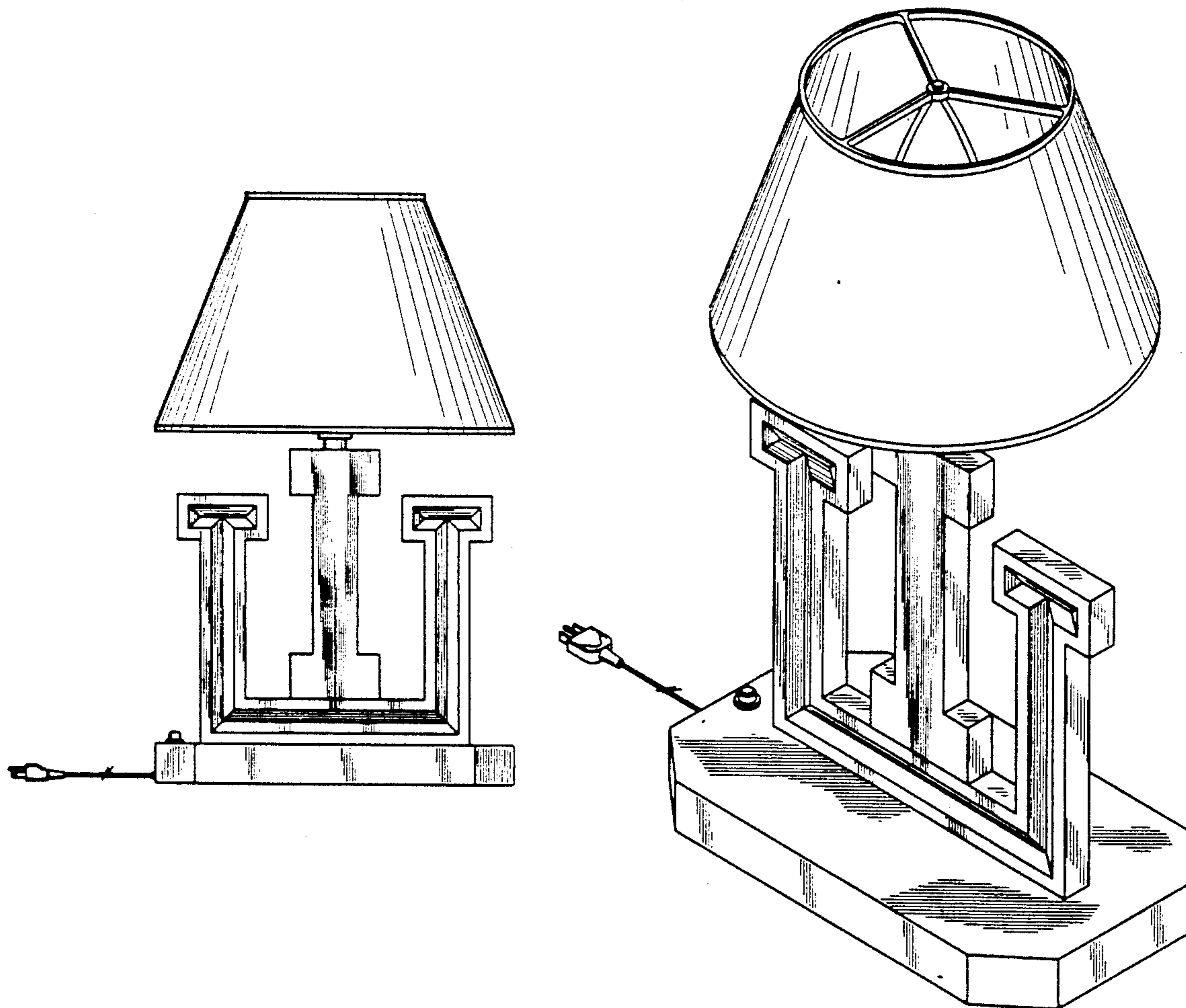
Primary Examiner—Susan J. Lucas
Attorney, Agent, or Firm—Hugh E. Smith

[57] **CLAIM**

The ornamental design for a novelty table lamp, as shown and described.

DESCRIPTION

FIG. 1 is a front elevational view of the novelty table lamp showing my new design;
FIG. 2 is a rear elevational view thereof;
FIG. 3 is a left side elevational view thereof;
FIG. 4 is a right side elevational view thereof;
FIG. 5 is a top plan view thereof;
FIG. 6 is a bottom plan view thereof; and,
FIG. 7 is an isometric view thereof on an enlarged scale.
The light bulb is shown in broken lines for illustrative purposes only.



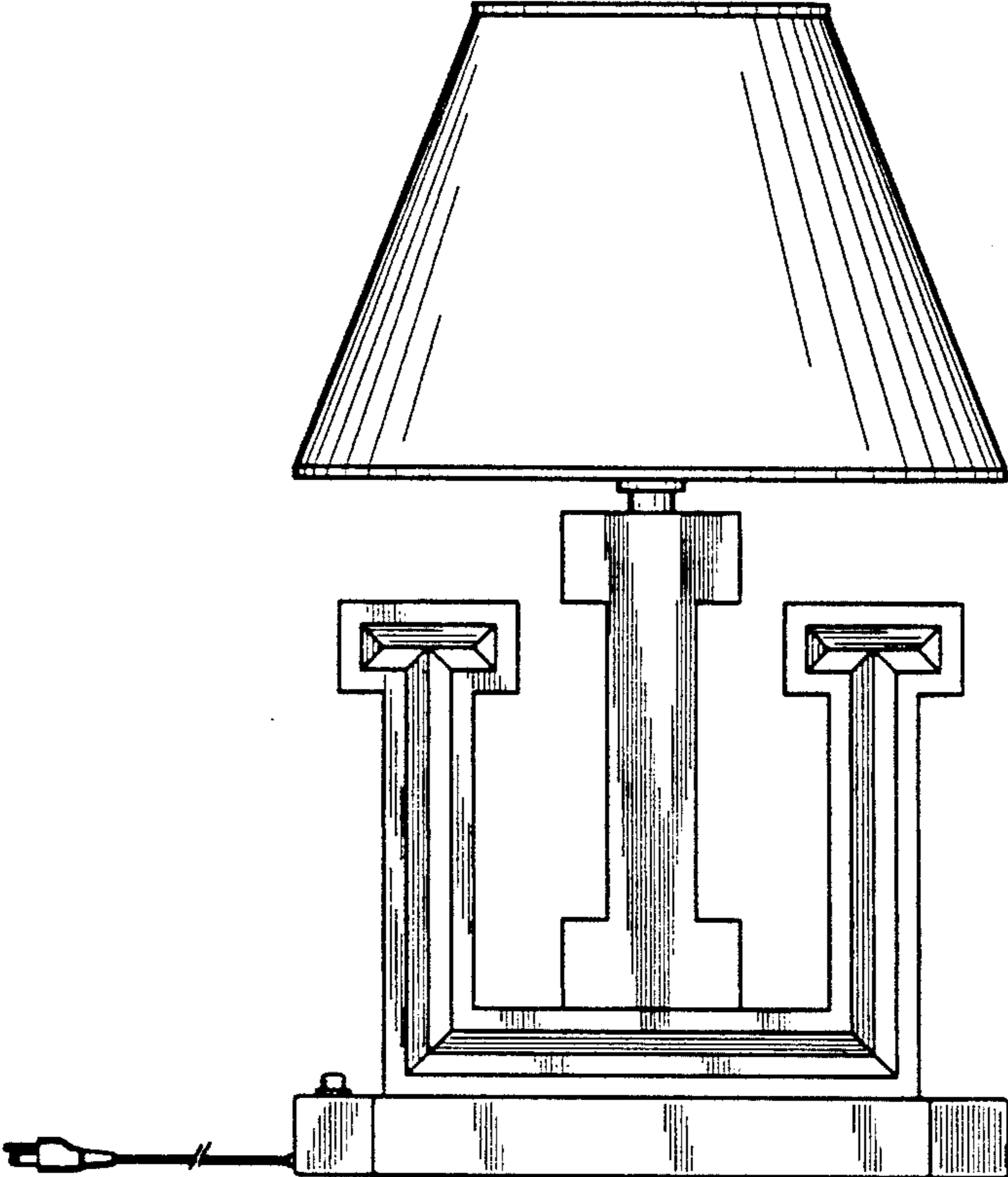


FIG. 1

FIG. 2

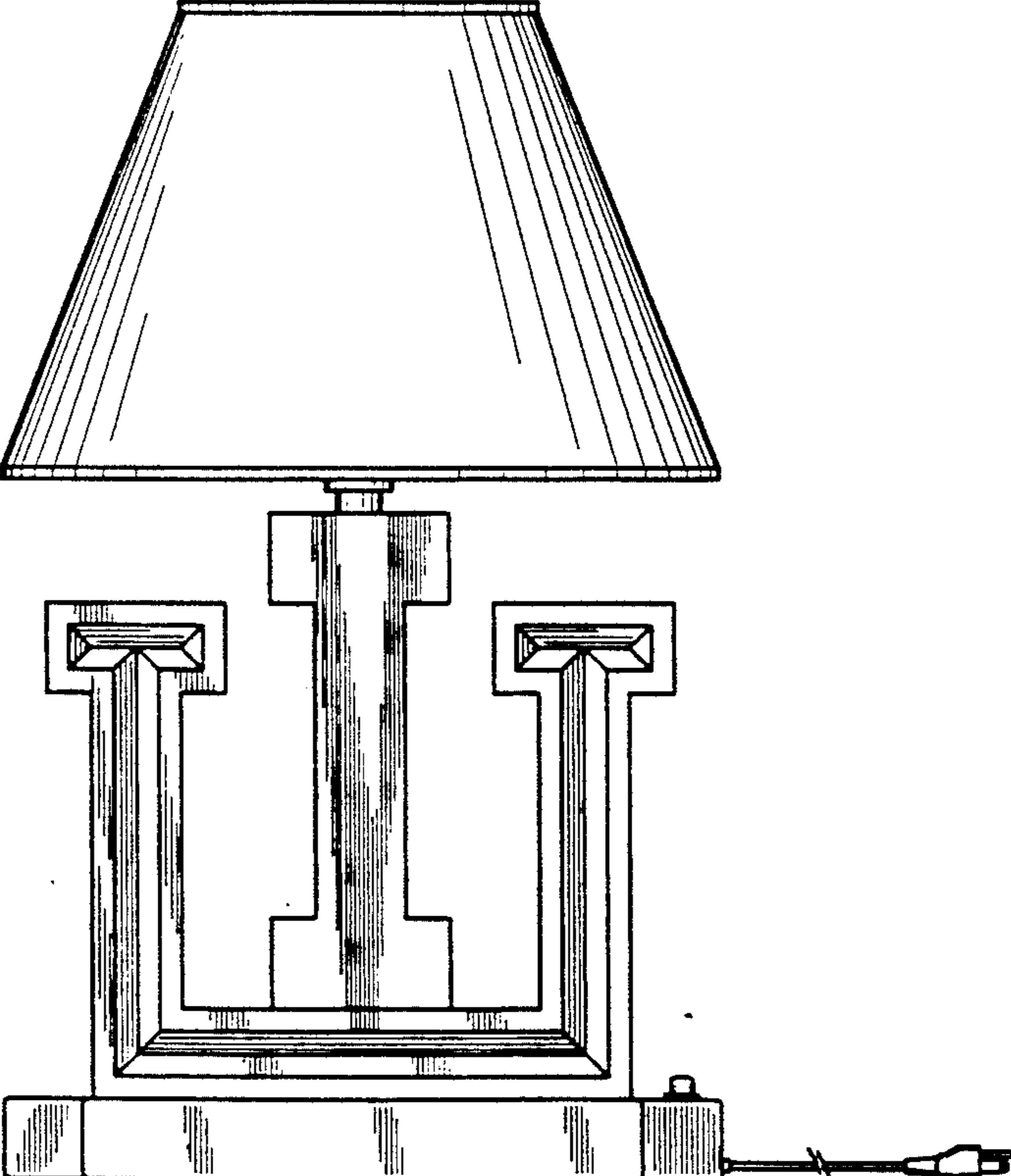


FIG. 3

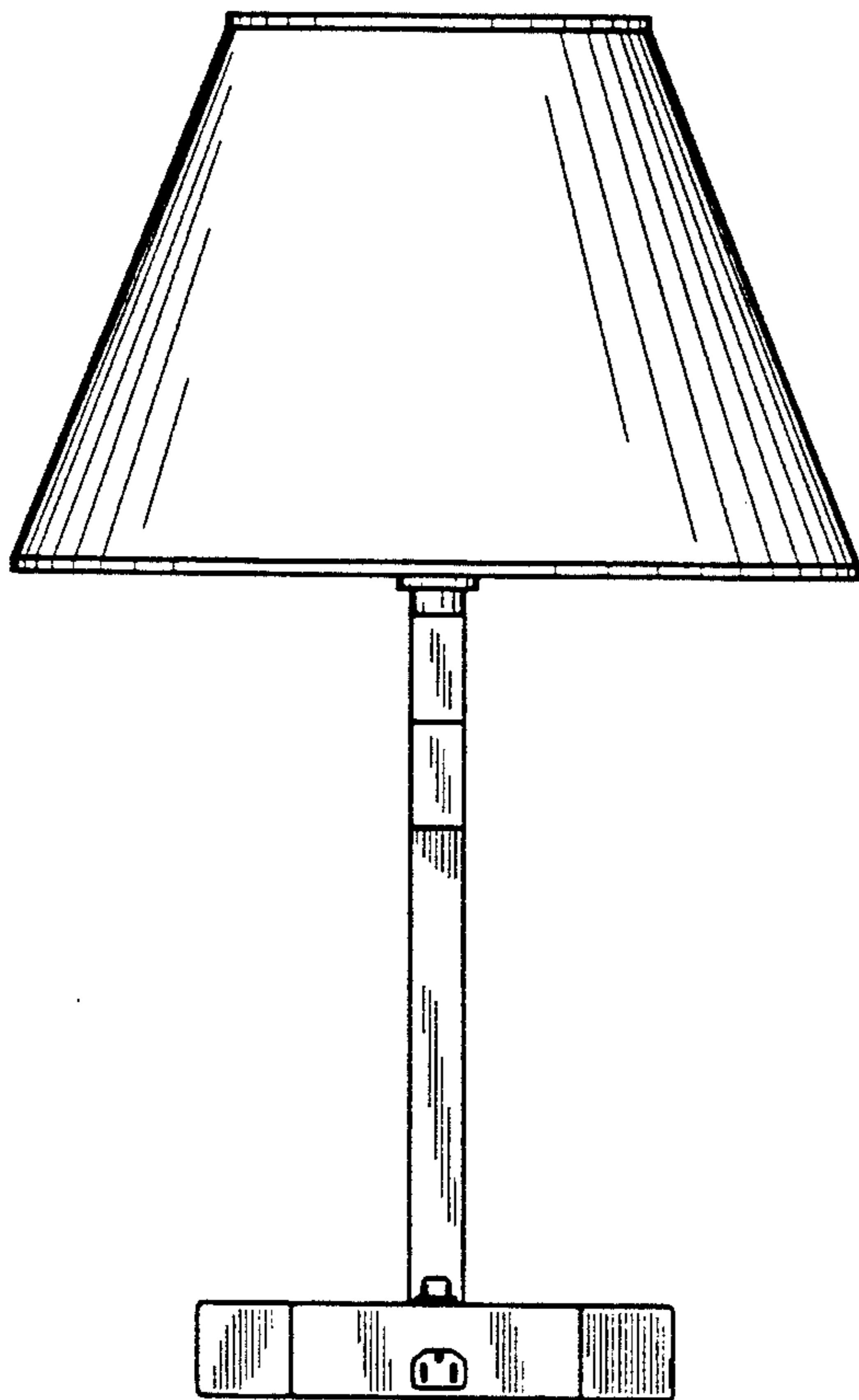


FIG. 4

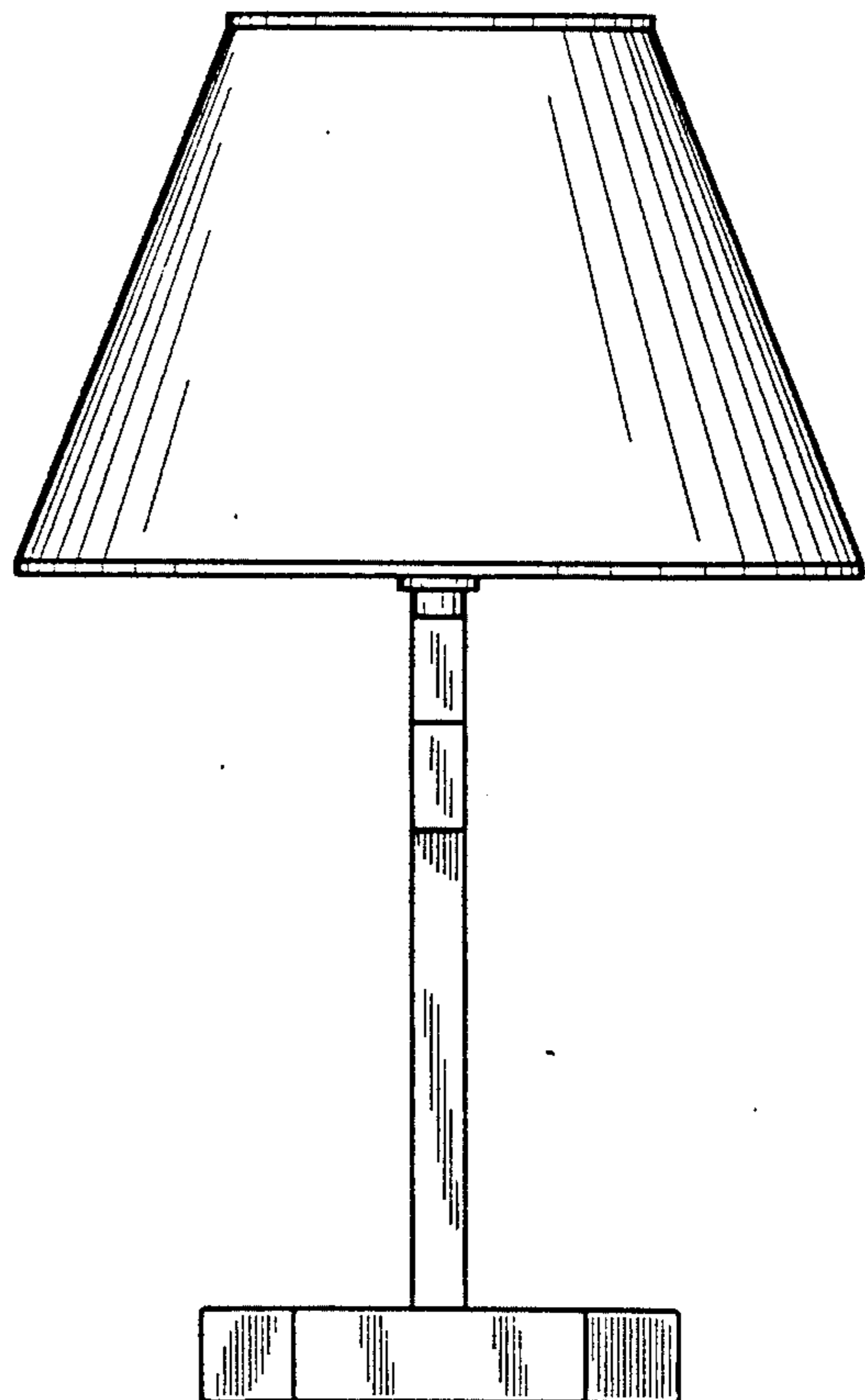


FIG. 5

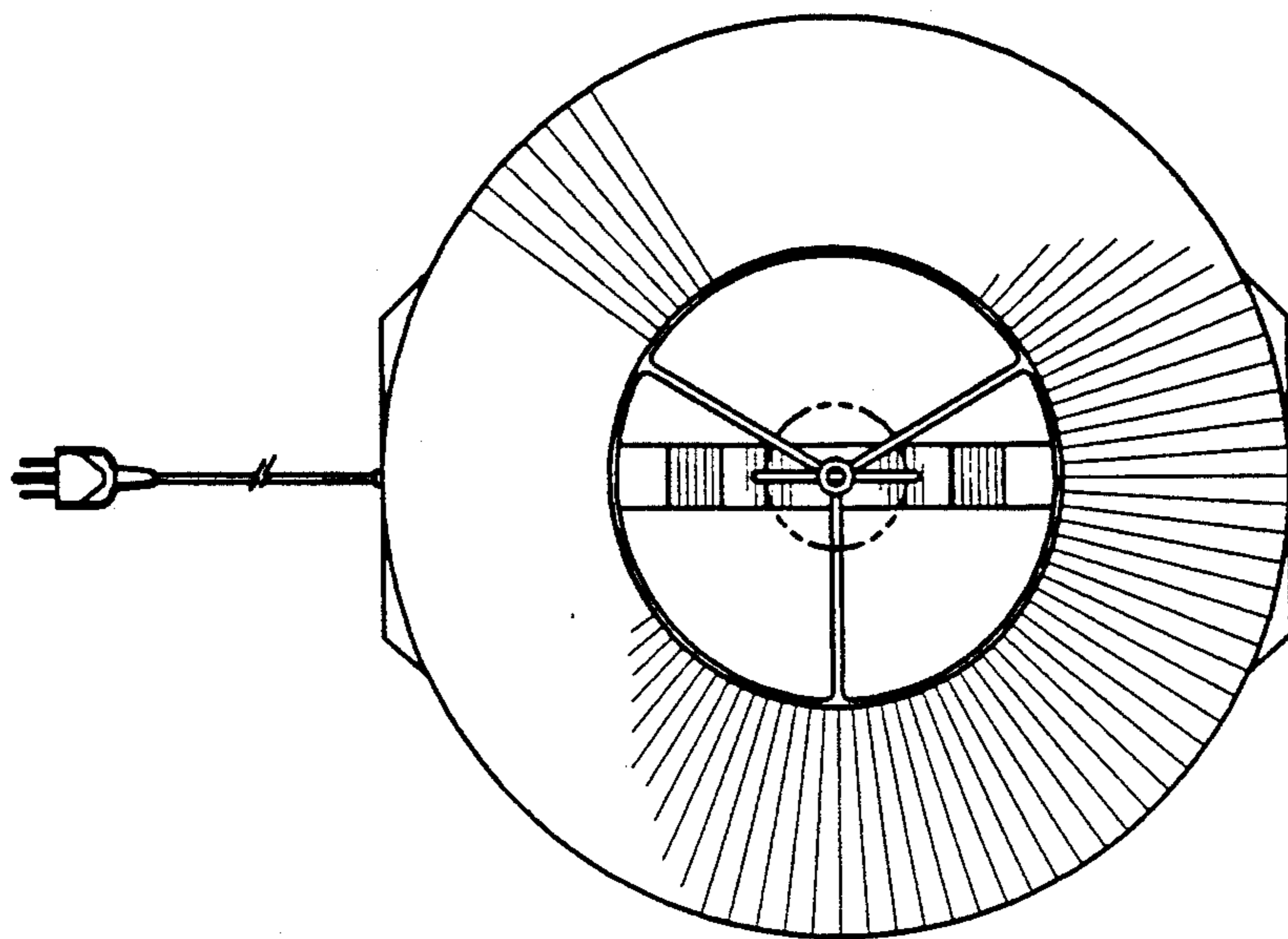


FIG. 6

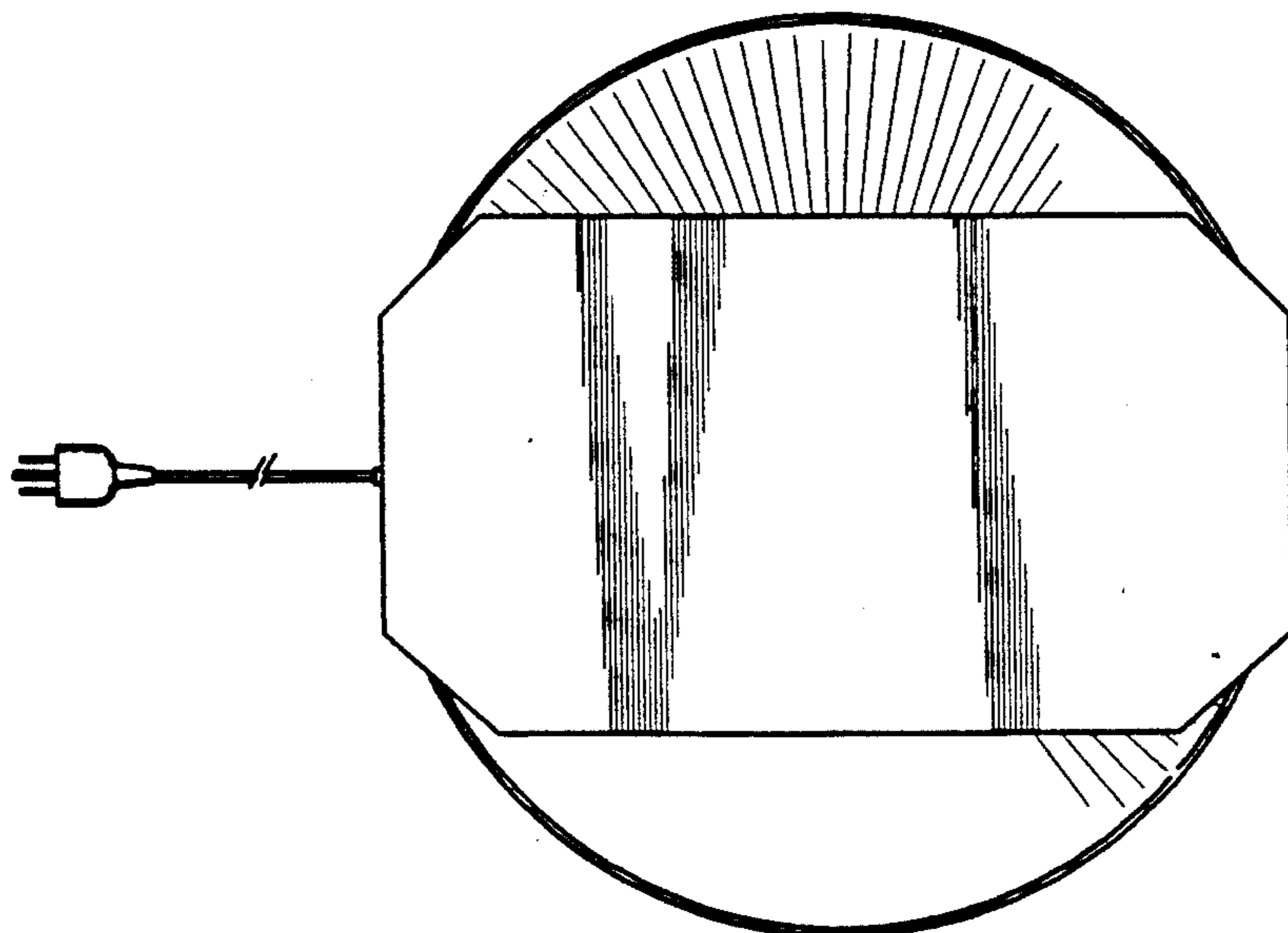


FIG. 7

