



US00D348113S

United States Patent [19]

[11] Patent Number: **Des. 348,113**

Swanson

[45] Date of Patent: **** Jun. 21, 1994**

[54] **COMBINED FLOOR LAMP, TABLE AND ADJUSTABLE LIGHTS**

[75] Inventor: **Dennis K. Swanson**, Woodland Hills, Calif.

[73] Assignee: **Lamps Plus, Inc.**, Chatsworth, Calif.

[**] Term: **14 Years**

[21] Appl. No.: **909,421**

[22] Filed: **Jul. 6, 1992**

[52] U.S. Cl. **D26/63; D26/58; D26/102**

[58] Field of Search **362/410-414, 362/418, 419, 427, 269, 275, 285, 249, 250; D26/60-66, 58, 102**

[56] **References Cited**
PUBLICATIONS

Home Lighting & Accessories, Jul. 1989, p. 74, United Nel, Inc. Combined Torchiere & Adjustable Light.
Max International Lighting, Data Sheet, 1989, Track Light 2nd row, left.
Nessen Lamps Catalog, ©1981, p. 41, Table Lamp #NT959.

Nessen Lamp Catalog ©1981, p. 8, Combined Floor Lamp & Table #NF1061.

Nessen Lamp Catalog, ©1981, p. 11, Floor Lamp #NF938.

Nutone Lighting Catalog, 1983, p. 11, Track Light #719-13-51.

Popular Mechanics, Apr. 1941, p. 716, Combined Floor Lamp & Spotlight.

Spiegel Fall & Winter Catalog, 1960, p. 512, Combined Pole Torchiere & Adjustable Lights.

Lamp Journal, Mar. 1962, p. 16, Combined Lamp & Table.

Primary Examiner—Susan J. Lucas

Attorney, Agent, or Firm—Robbins, Berliner & Carson

[57] **CLAIM**

The ornamental design for a combined floor lamp, table and adjustable lights, as shown and described.

DESCRIPTION

FIG. 1 is a perspective view of the combined floor lamp, table and adjustable lights of my invention; FIG. 2 is a front elevational view thereof, the rear being a mirror image; FIG. 3 is a left side elevational view thereof; FIG. 4 is a top plan view thereof; and, FIG. 5 is a top plan view with the shade removed thereof.

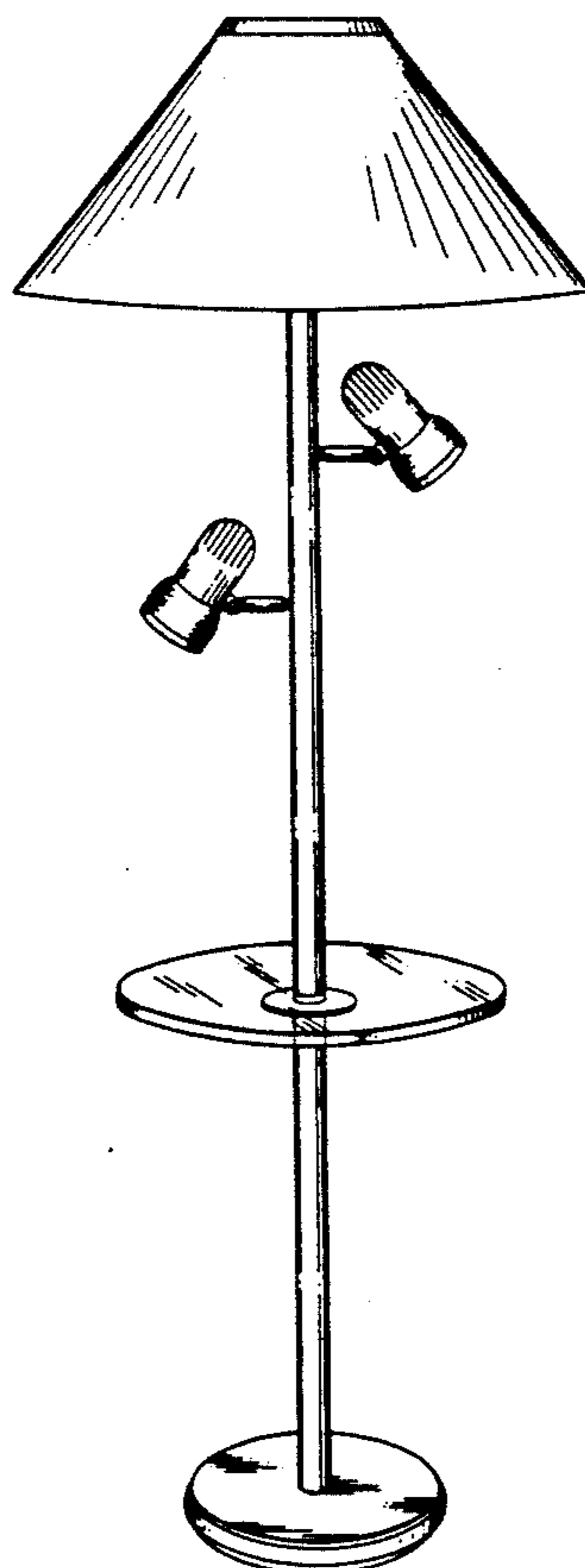


FIG. 1

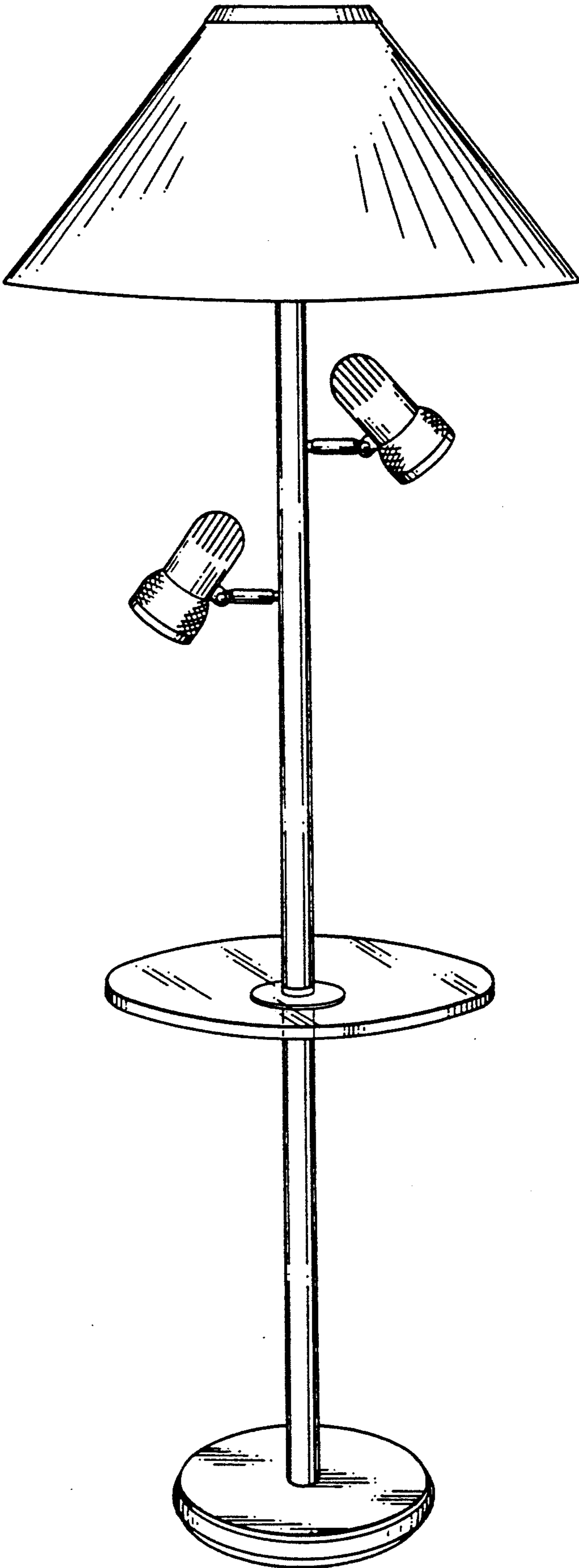


FIG. 2

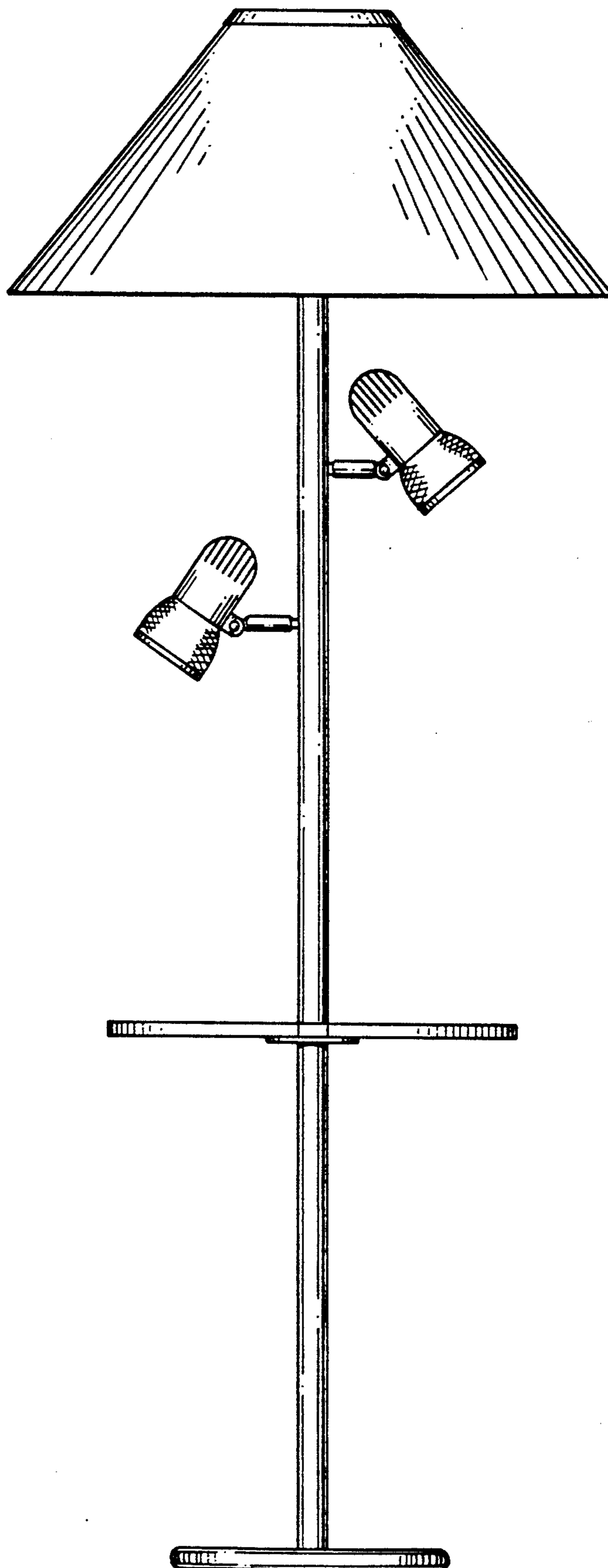


FIG. 3

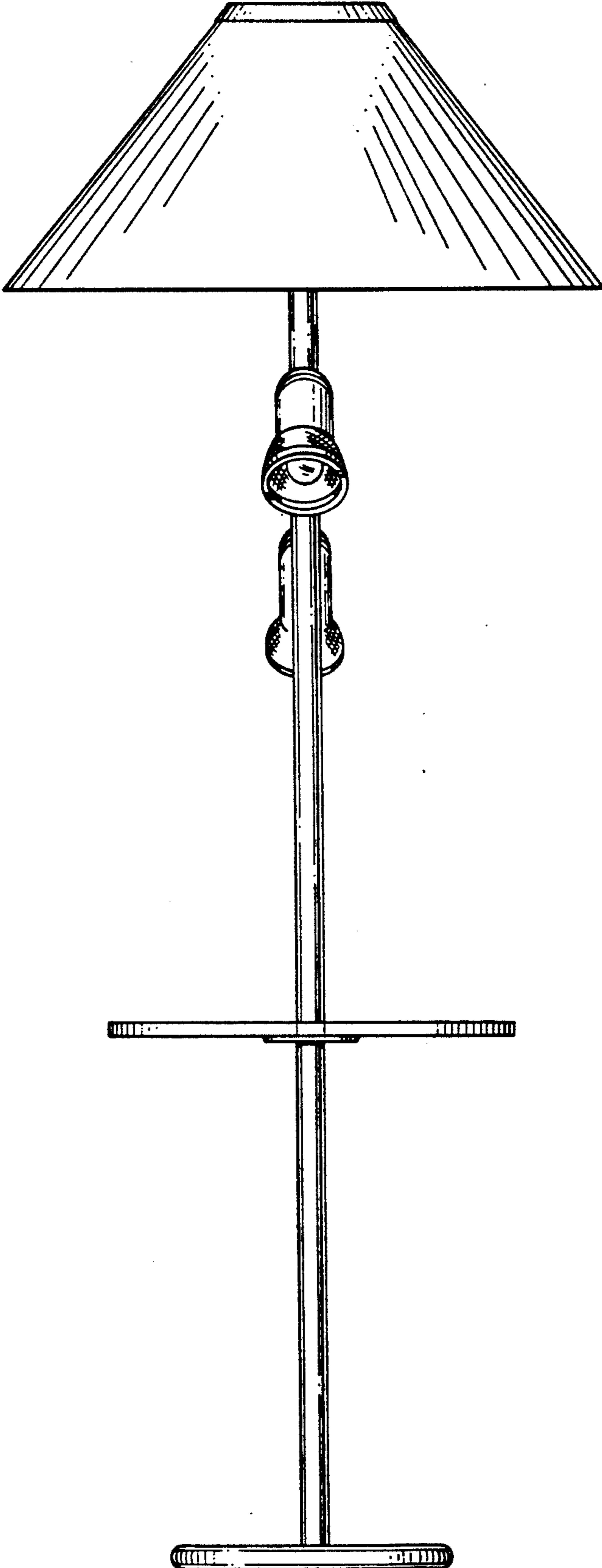


FIG. 4

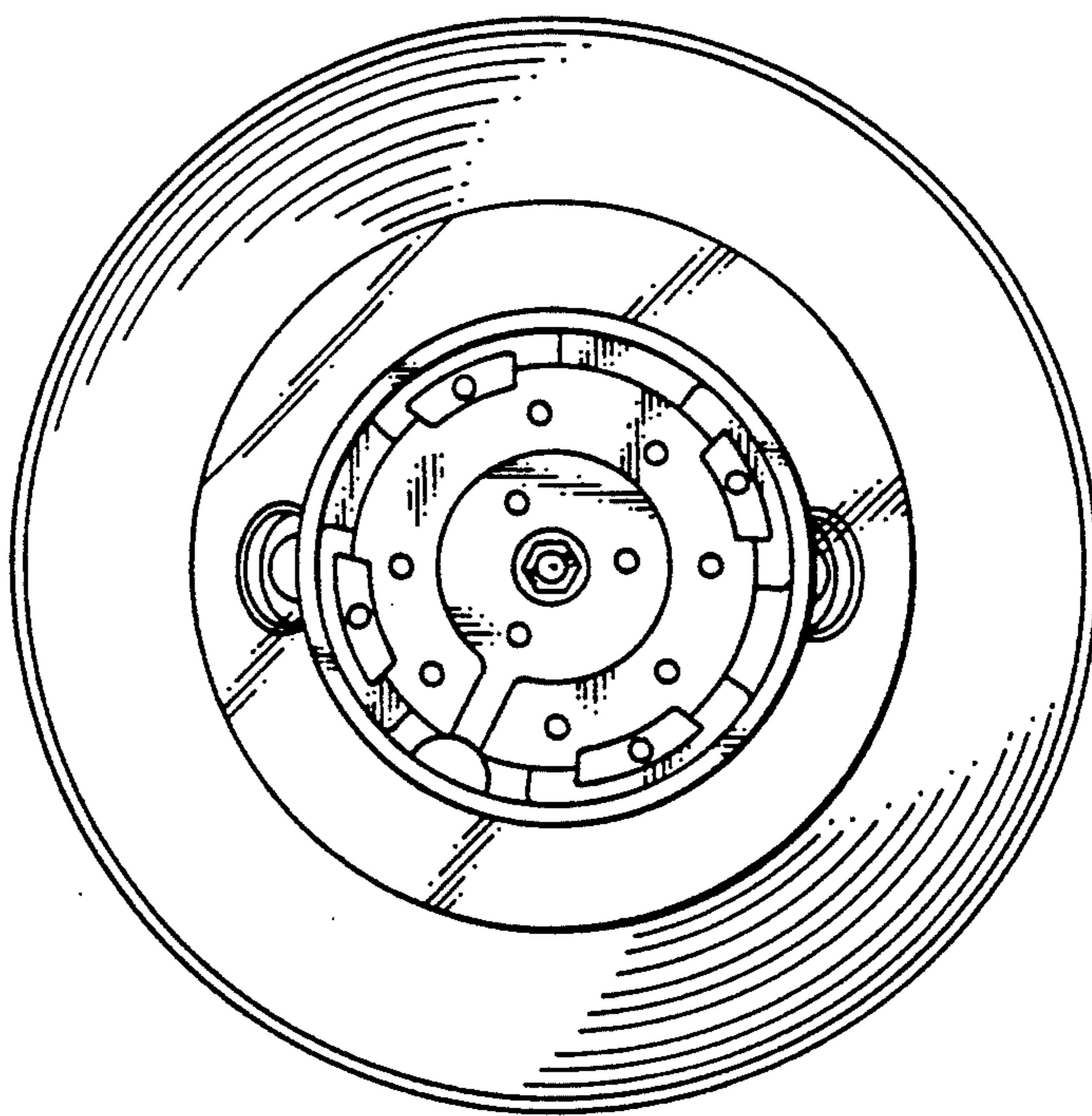
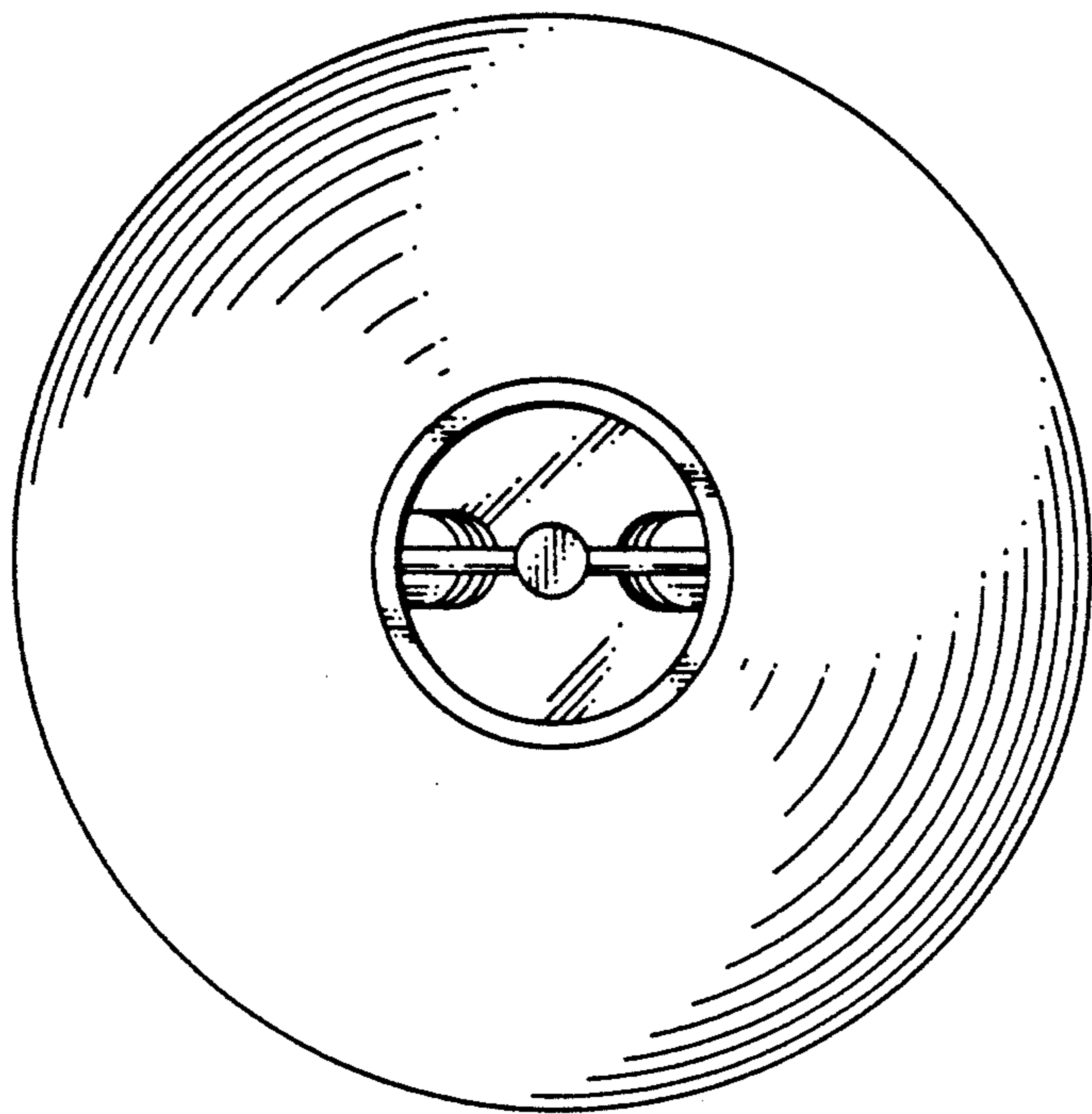


FIG. 5