



US00D348112S

United States Patent [19]

[11] Patent Number: **Des. 348,112**

Maglica

[45] Date of Patent: **** Jun. 21, 1994**

[54] **FLASHLIGHT**

[75] Inventor: **Anthony Maglica, Anaheim, Calif.**

[73] Assignee: **Mag Instrument, Inc., Ontario, Calif.**

[**] Term: **14 Years**

[21] Appl. No.: **834,101**

[22] Filed: **Feb. 11, 1992**

[52] U.S. Cl. **D26/49**

[58] Field of Search 362/157, 158, 183, 184,
362/189, 190, 191, 196, 197, 198, 199, 200, 201,
202, 203; D26/37-50

[56] **References Cited**

U.S. PATENT DOCUMENTS

D. 153,282	4/1949	Haas	D26/49
D. 263,170	2/1982	Maglica	D26/49
4,151,583	4/1979	Miller	362/205
4,658,336	4/1987	Maglica	362/197
5,021,934	6/1991	Hou	362/158 X

FOREIGN PATENT DOCUMENTS

875239	4/1953	Fed. Rep. of Germany	362/184
--------	--------	----------------------	-------	---------

OTHER PUBLICATIONS

REI Spring Catalog, 1990, p. 70, Mini-Maglite® Flashlight D.

"Magna-Force", Aluminum Extruded Handlights 70% Brighter! ad (3 pages) (Ex. DX 5254)—this is prior art (undated).

Rayovac Corporation, brochure re Police Flashlights, (3 pages)—this is prior art (undated).

Primary Examiner—Susan J. Lucas
Attorney, Agent, or Firm—Lyon & Lyon

[57] **CLAIM**

The ornamental design for a flashlight, as shown and described.

DESCRIPTION

FIG. 1 is a front perspective view of the flashlight showing my new design;

FIG. 2 is a rear perspective view thereof;

FIG. 3 is a side elevational view thereof, the opposite side being identical in appearance;

FIG. 4 is a rear elevational view thereof;

FIG. 5 is a front elevational view thereof;

FIG. 6 is a front perspective view of an alternative embodiment of the flashlight showing my new design;

FIG. 7 is a rear perspective view thereof;

FIG. 8 is a side elevational view thereof, the opposition side being identical in appearance;

FIG. 9 is a rear elevational view thereof;

FIG. 10 is a front elevational view thereof;

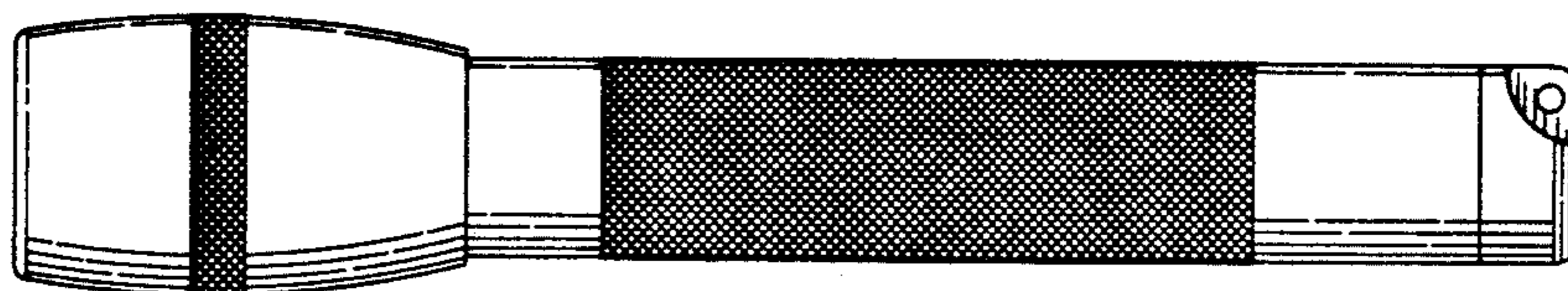
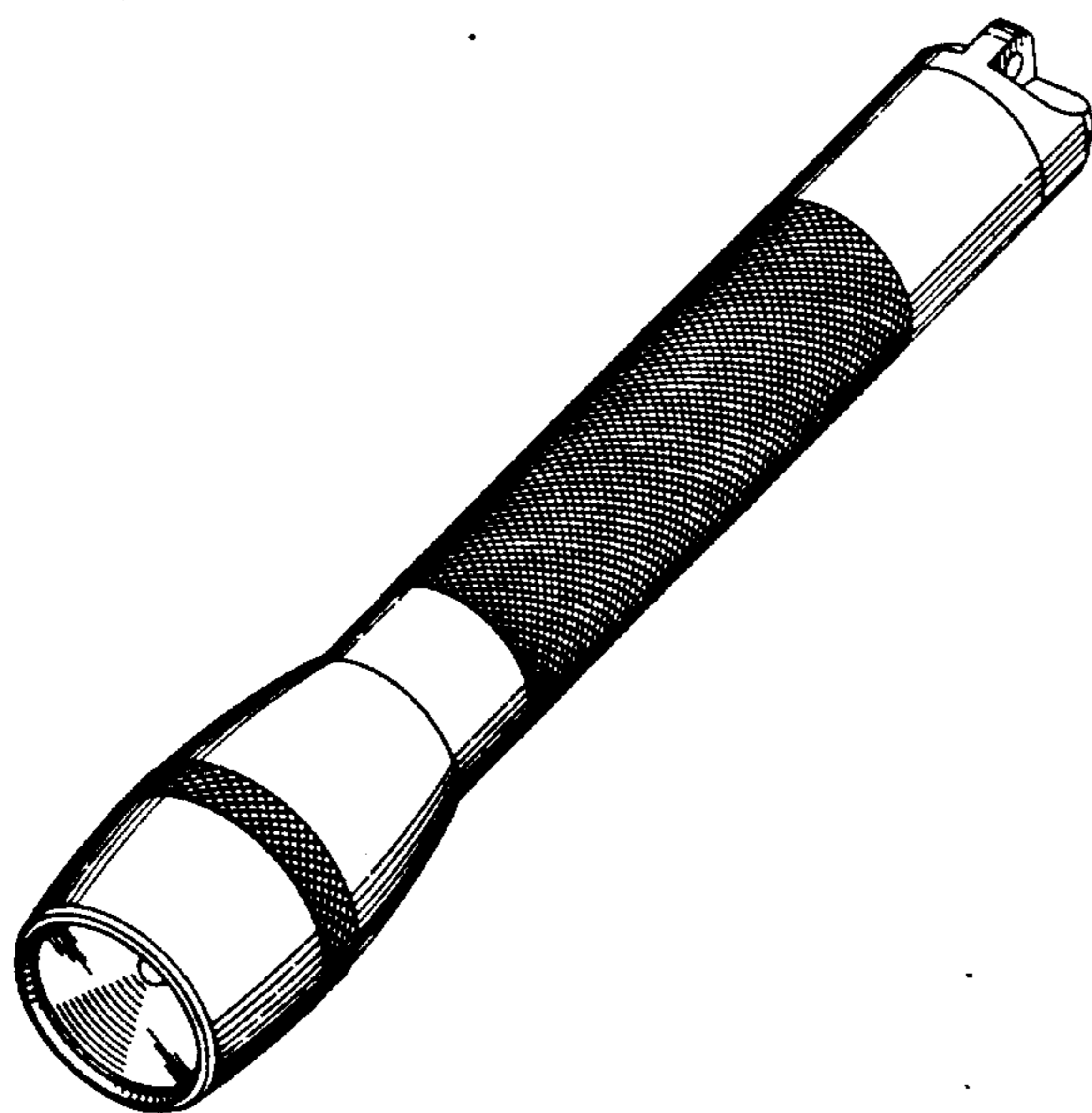
FIG. 11 is a front perspective view of another alternative embodiment of the flashlight showing my new design;

FIG. 12 is a rear perspective view thereof;

FIG. 13 is a side elevational view thereof, the opposition side being identical in appearance;

FIG. 14 is a rear elevational view thereof; and,

FIG. 15 is a front elevational view thereof.



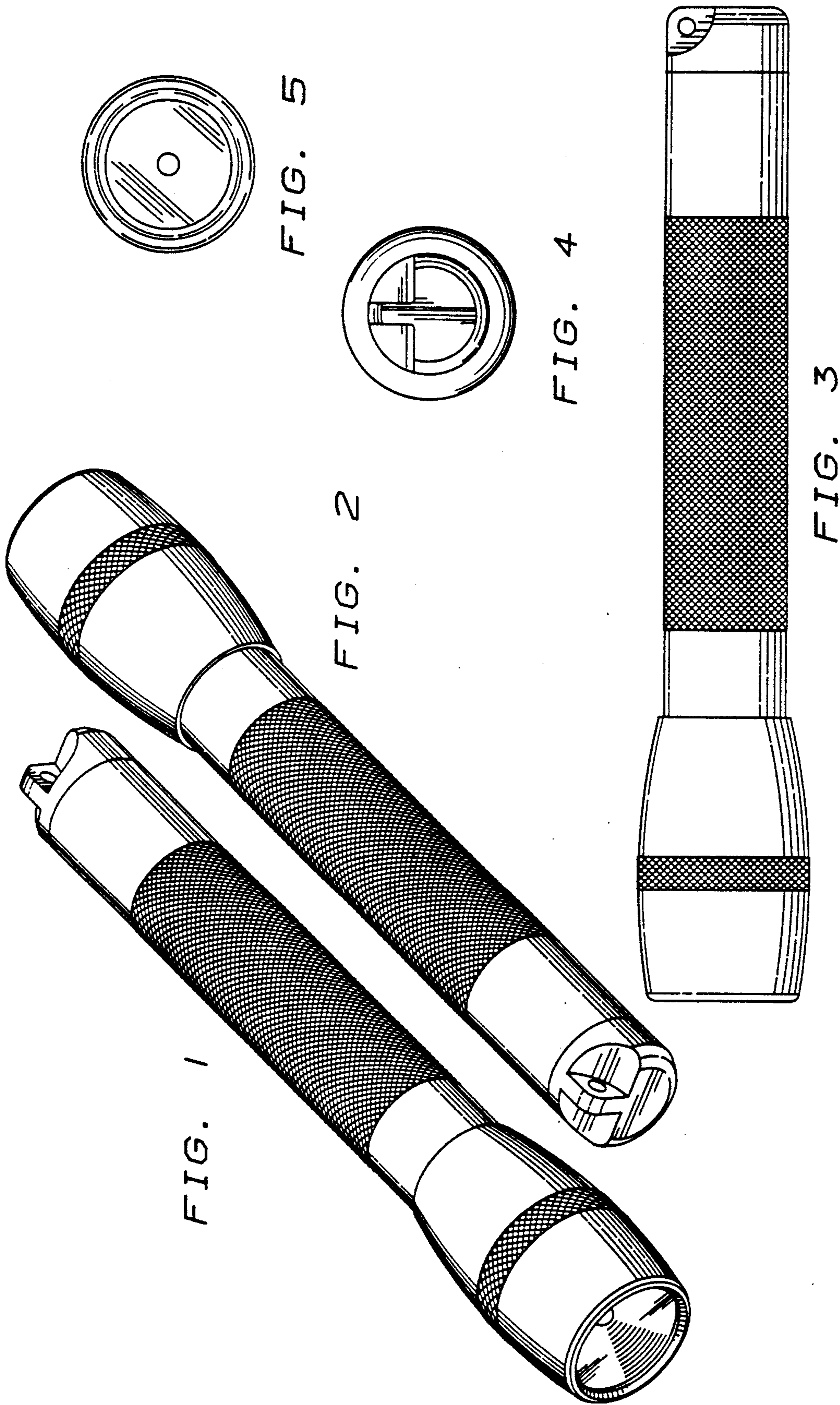


FIG. 1

FIG. 2

FIG. 5

FIG. 4

FIG. 3

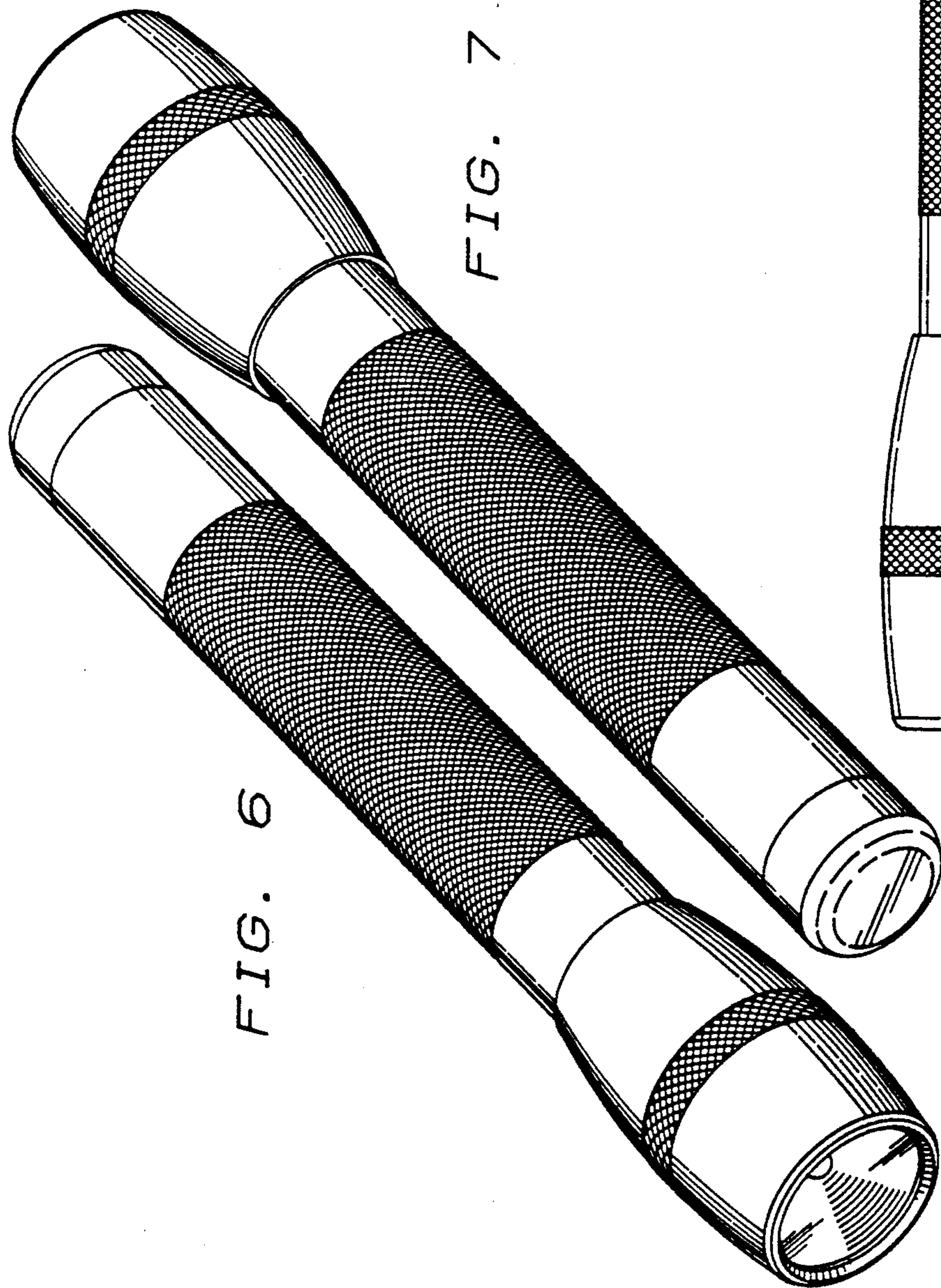


FIG. 6

FIG. 7

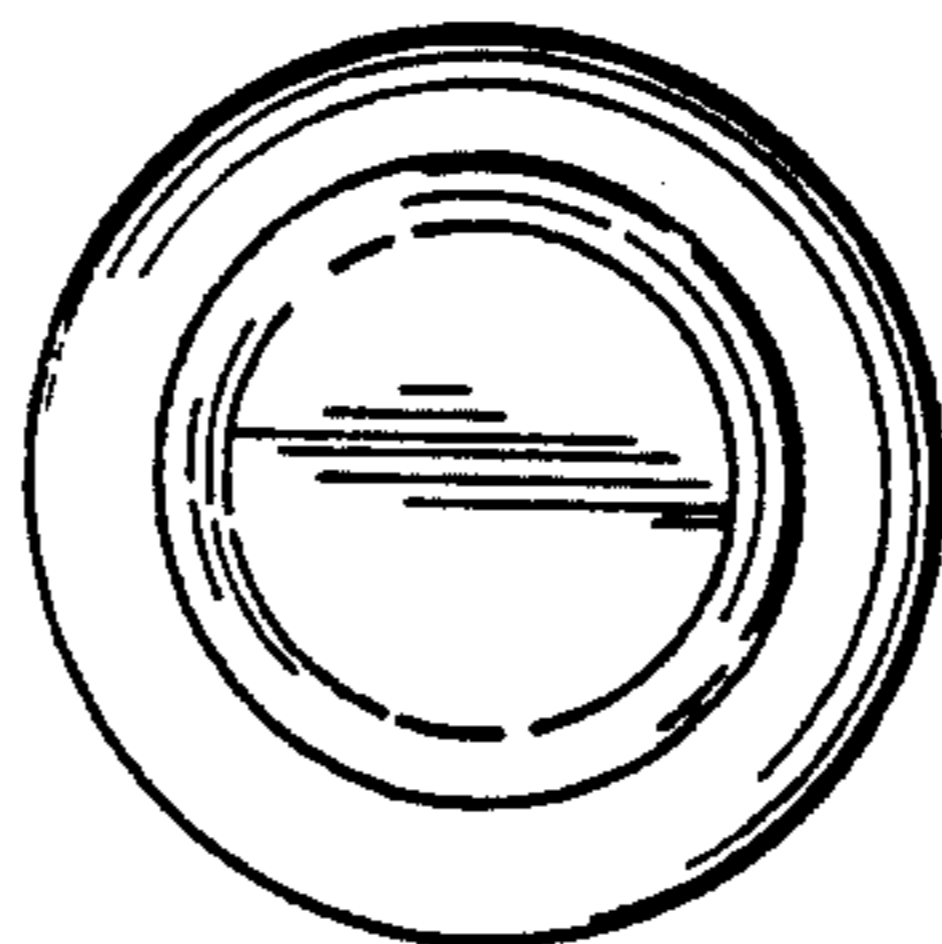


FIG. 9

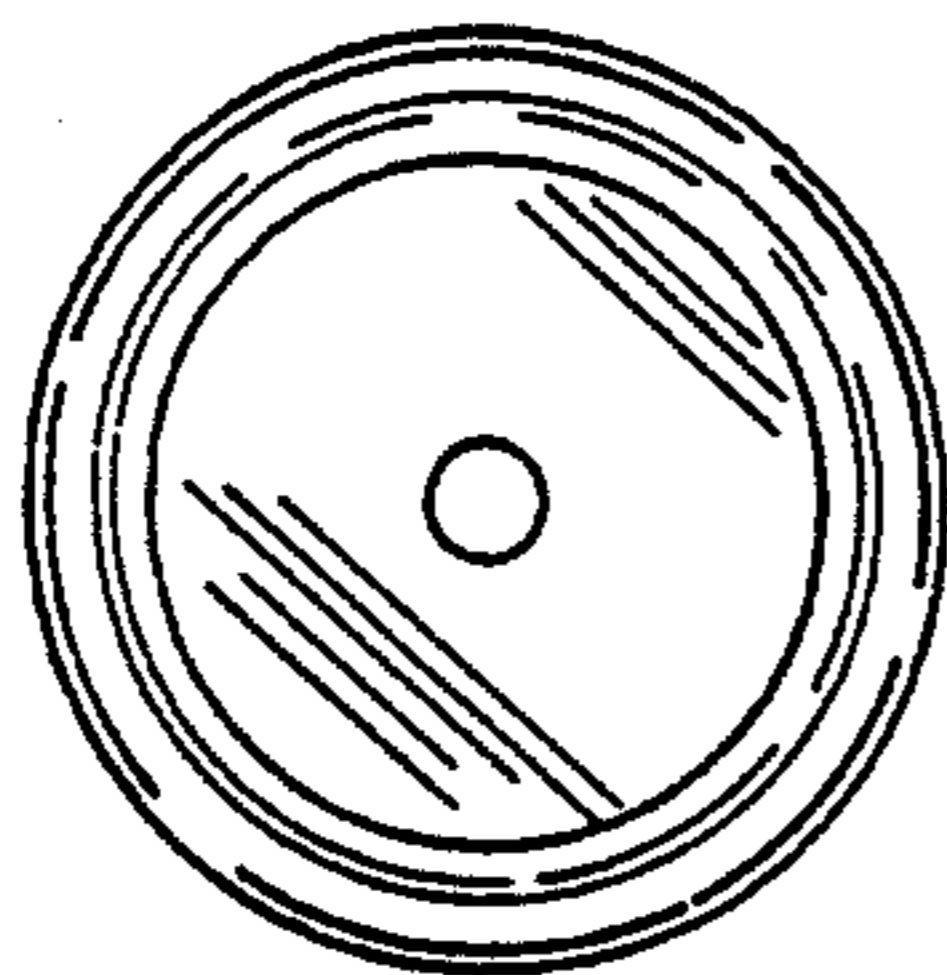


FIG. 10

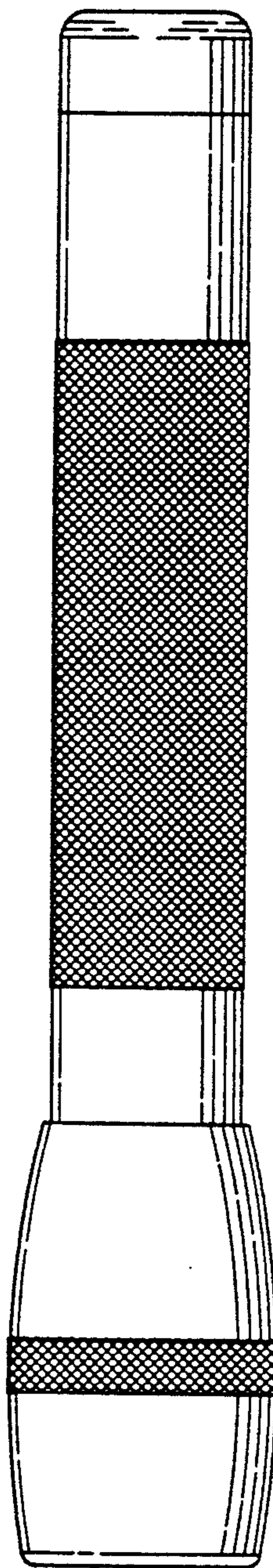


FIG. 8

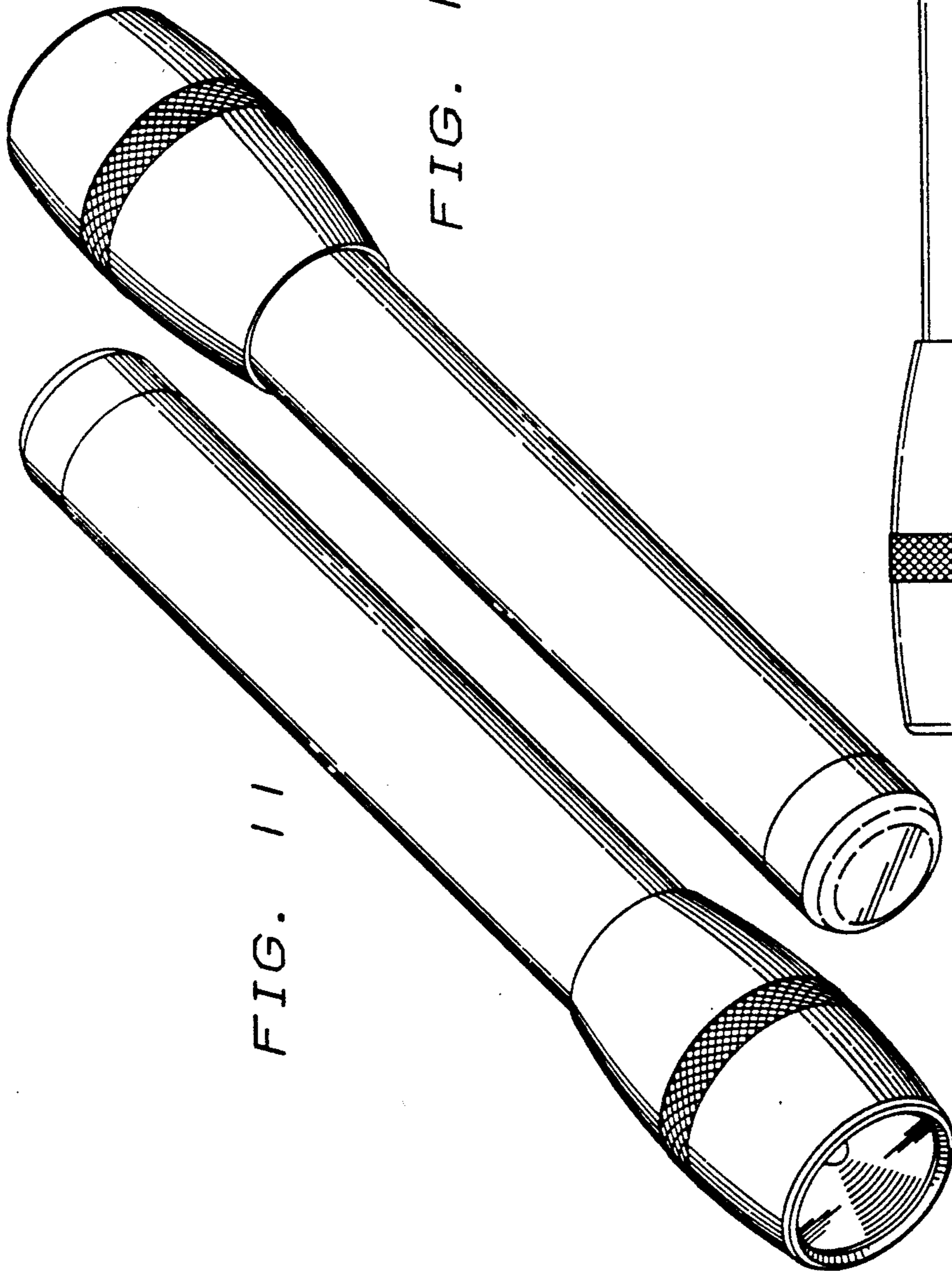


FIG. 11

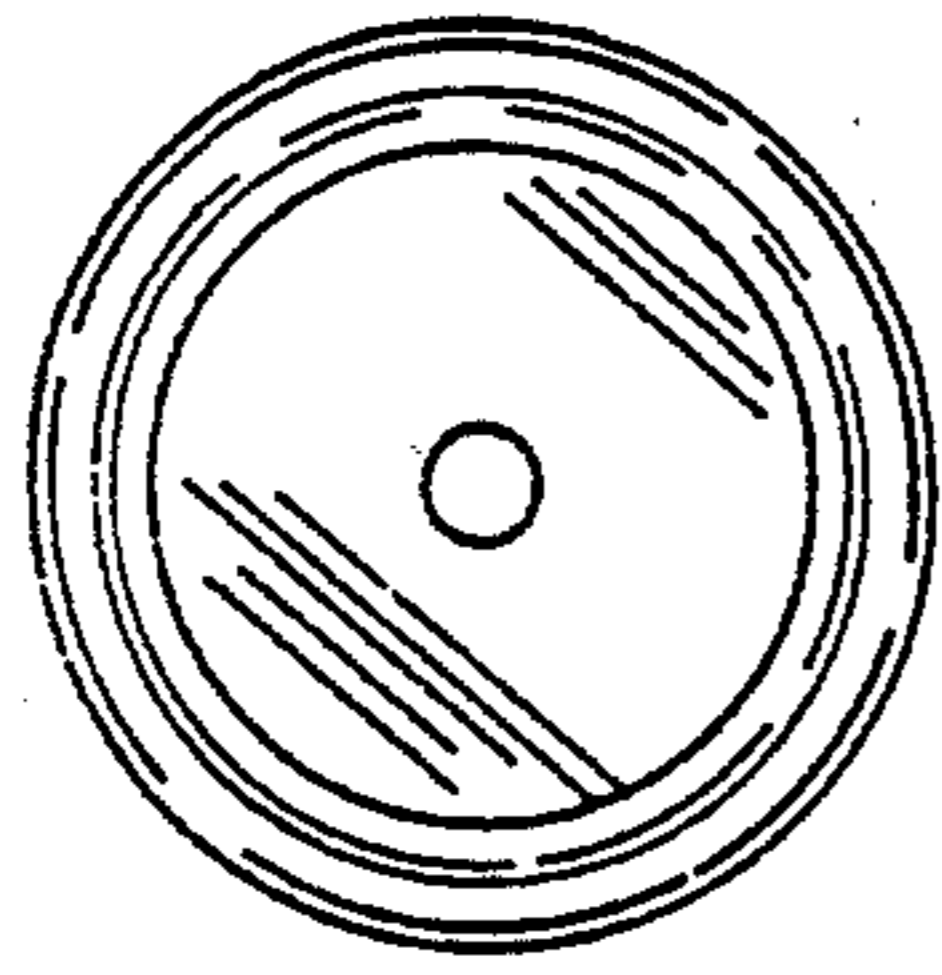


FIG. 15

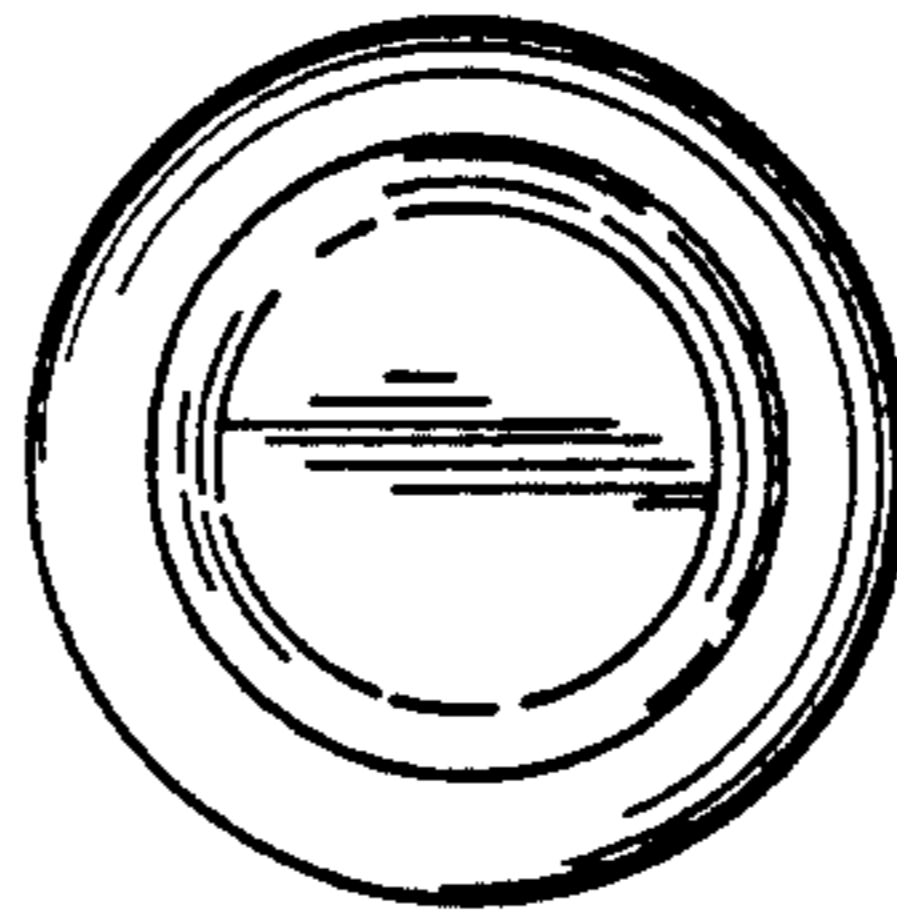


FIG. 14

FIG. 12

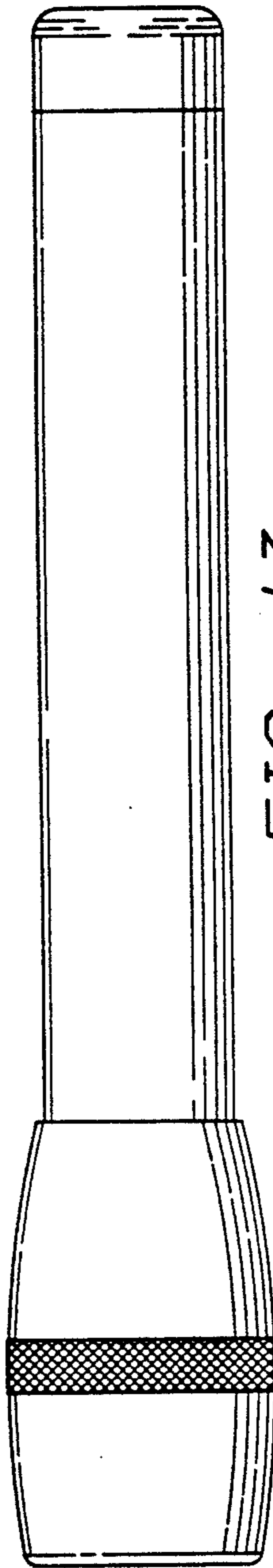


FIG. 13