



US00D348110S

United States Patent [19]

[11] Patent Number: **Des. 348,110**

Scherrer

[45] Date of Patent: **** Jun. 21, 1994**

[54] VINYL SHEET PILING

4,819,398 4/1989 Dameron 52/537

[76] Inventor: **Robert R. Scherrer**, 3004 S. Palm Dr., Slidell, La. 70458

Primary Examiner—A. Hugo Word
Assistant Examiner—Doris Clark
Attorney, Agent, or Firm—Pravel, Hewitt, Kimball & Krieger

[**] Term: **14 Years**

[21] Appl. No.: **950,040**

[57] **CLAIM**

[22] Filed: **Sep. 23, 1992**

The ornamental design for a vinyl sheet piling, as shown and described.

[52] U.S. Cl. **D25/119**

[58] Field of Search 52/537, 539; D25/119, D25/138, 125

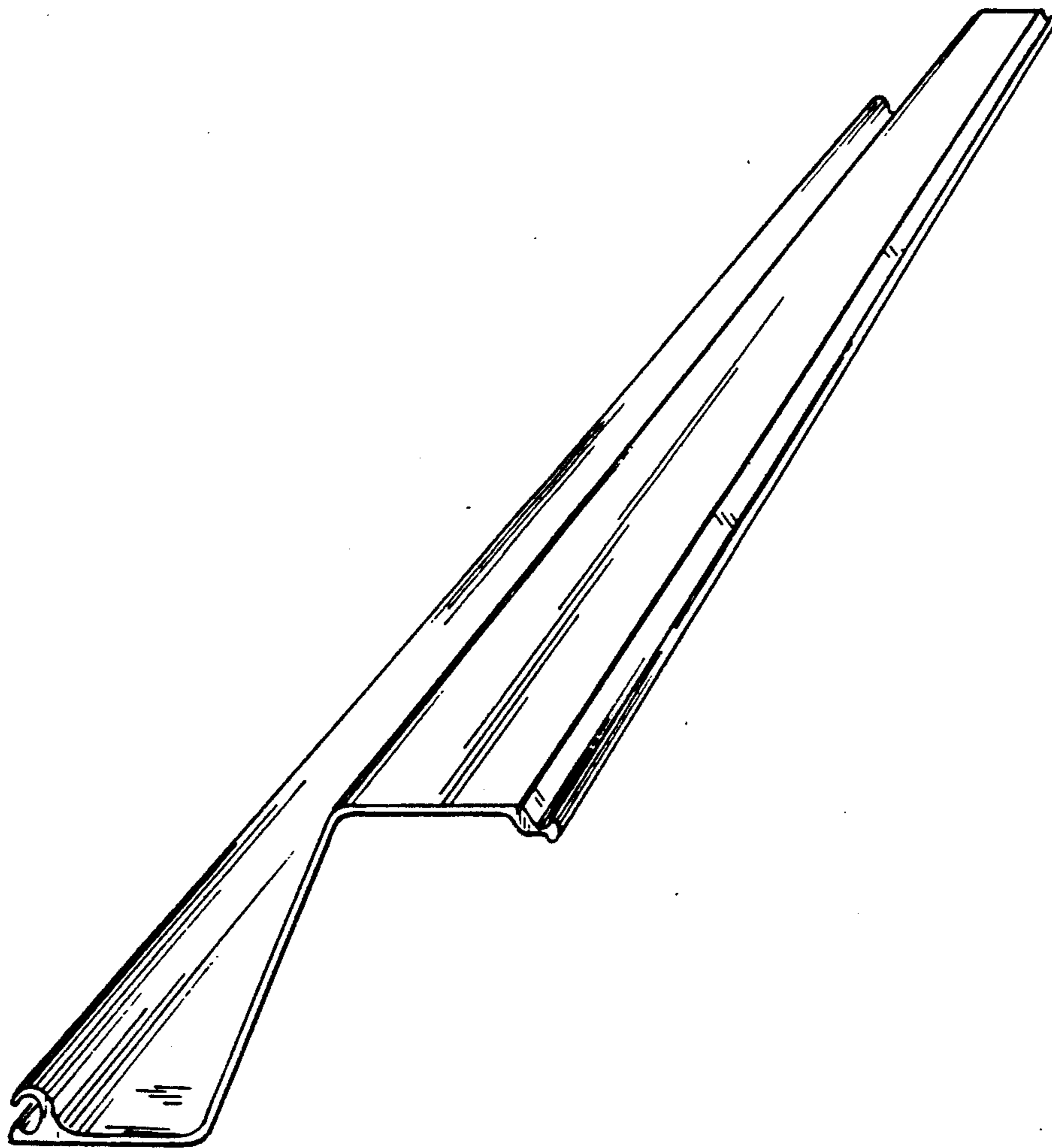
DESCRIPTION

[56] **References Cited**

U.S. PATENT DOCUMENTS

3,127,960	4/1964	Smith et al.	D25/119
3,142,937	8/1964	Ess	D25/119
3,238,687	3/1966	Tisbo	D25/119
3,245,187	4/1966	May	52/537
3,300,926	1/1967	Heirich	D25/121

FIG. 1 is an overall perspective view of my new design; FIG. 2 is a top view thereof; FIG. 3 is a first end view thereof; FIG. 4 is a second end view thereof; FIG. 5 is a front view thereof; FIG. 6 is a rear view thereof; and, FIG. 7 is a top view thereof, the broken lines showing adjacent vinyl sheet pilings are for illustrative purposes only and form no part of the claimed design.



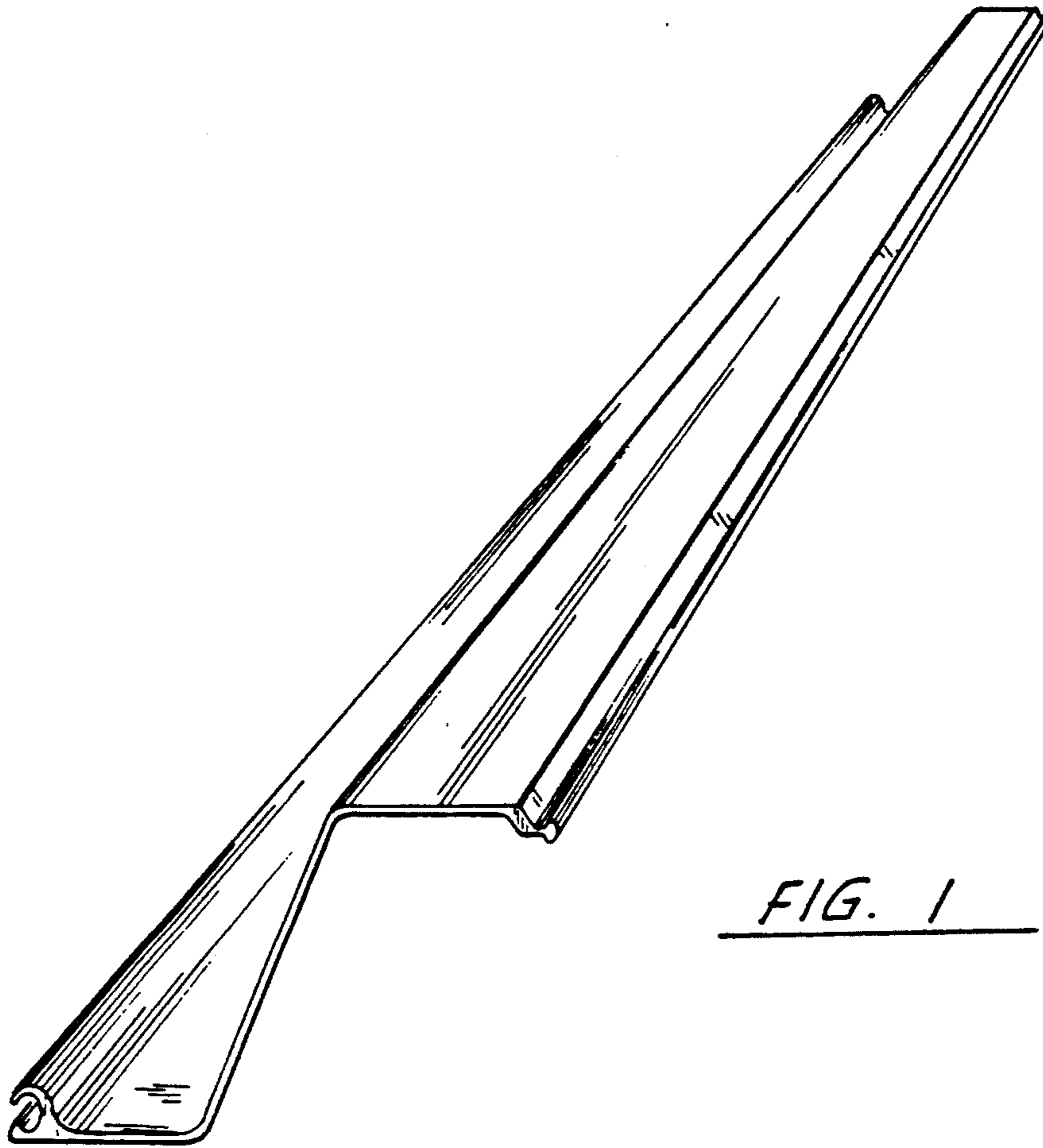


FIG. 1

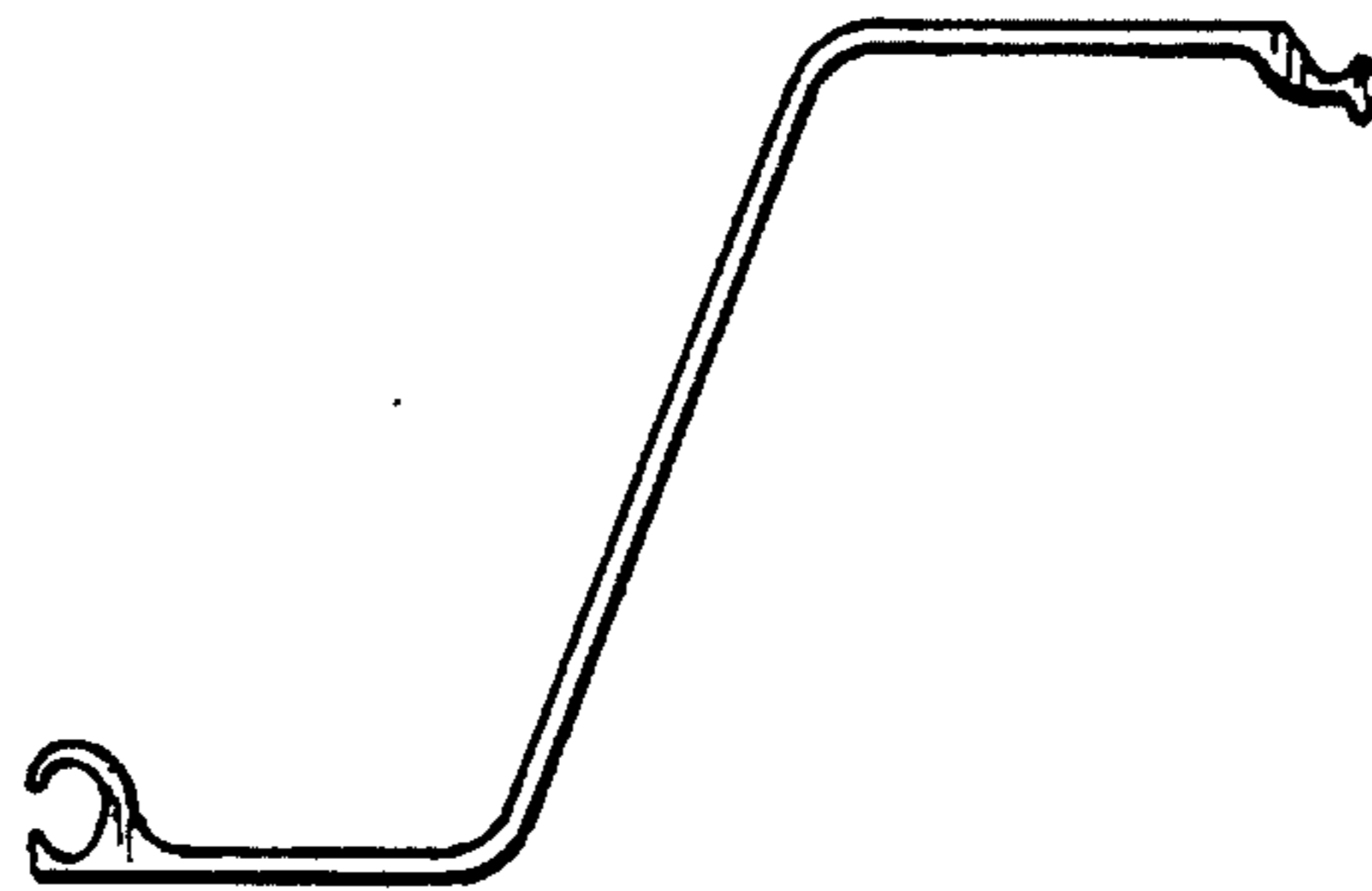


FIG. 2



FIG. 5

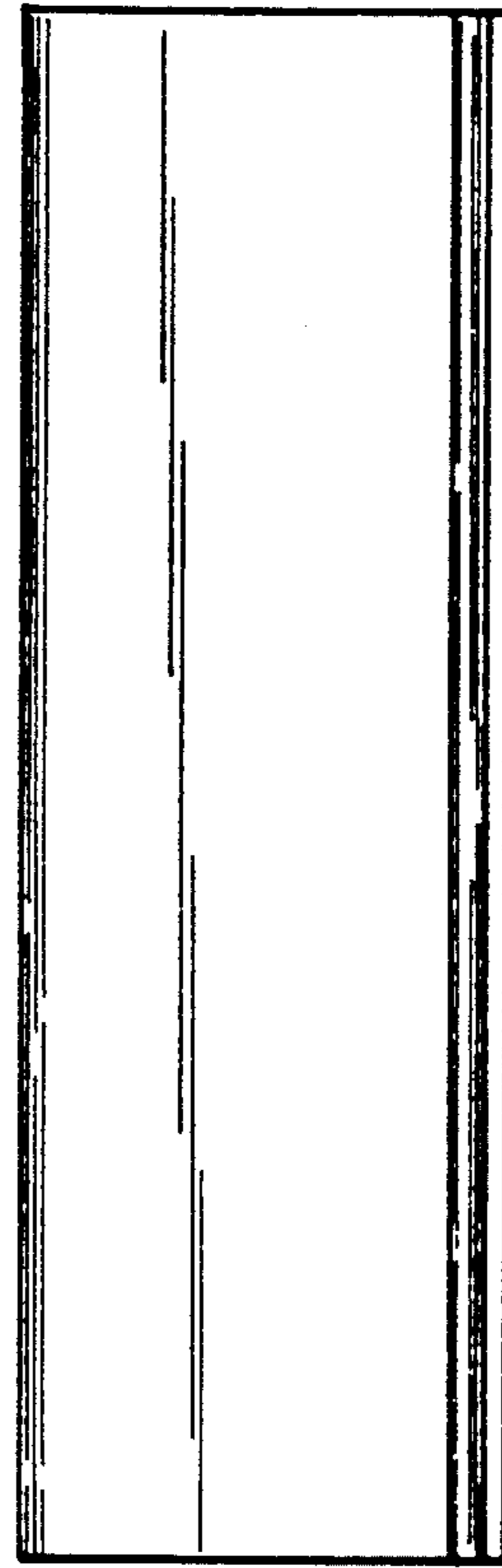


FIG. 3

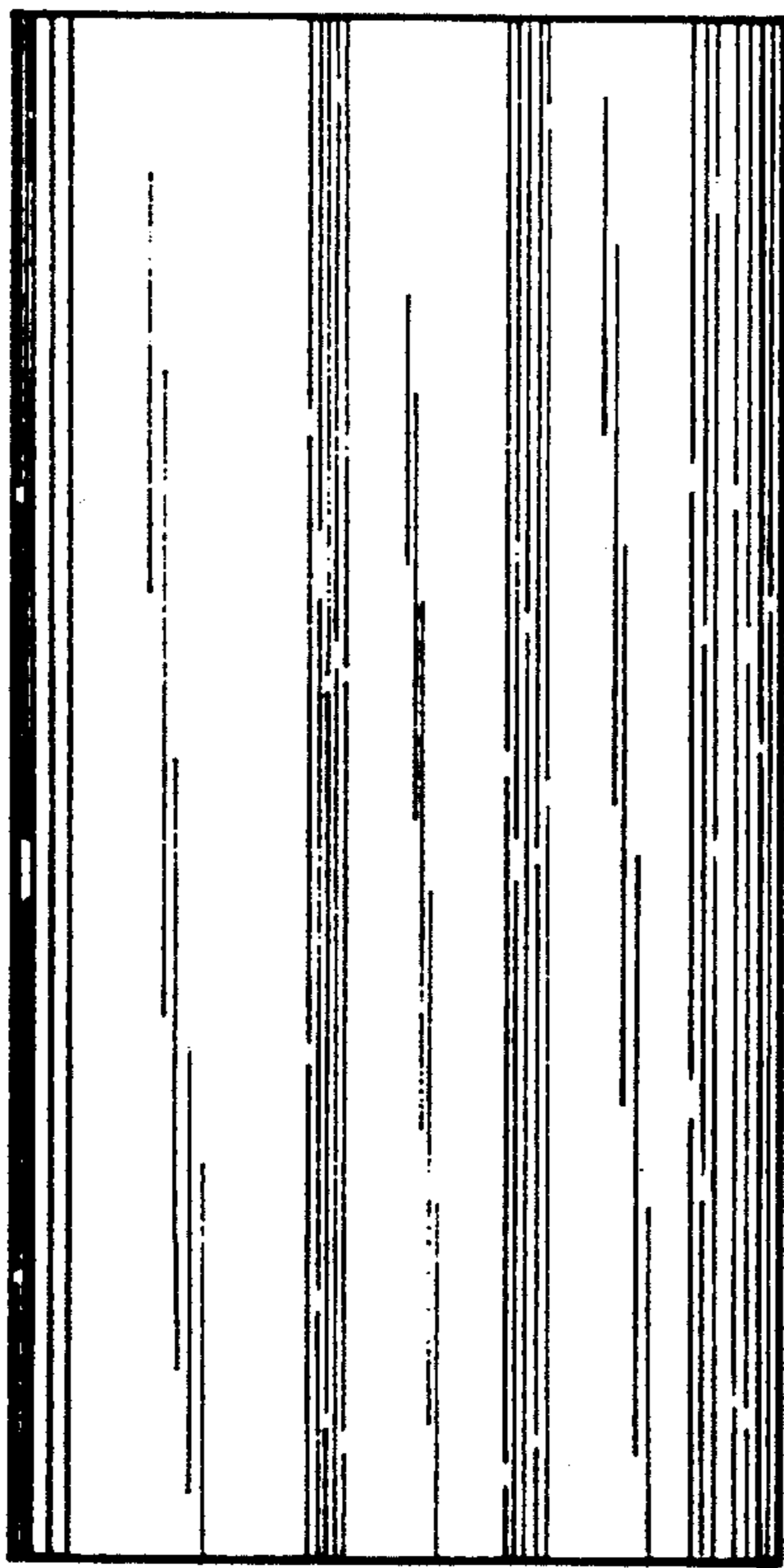


FIG. 6

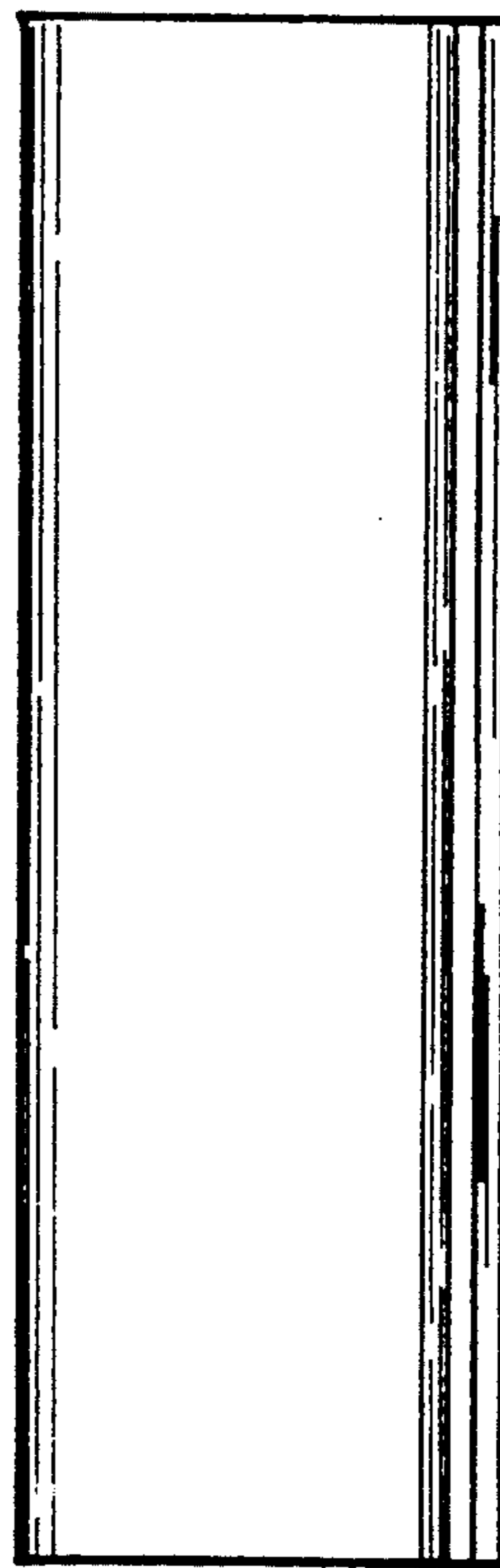


FIG. 4

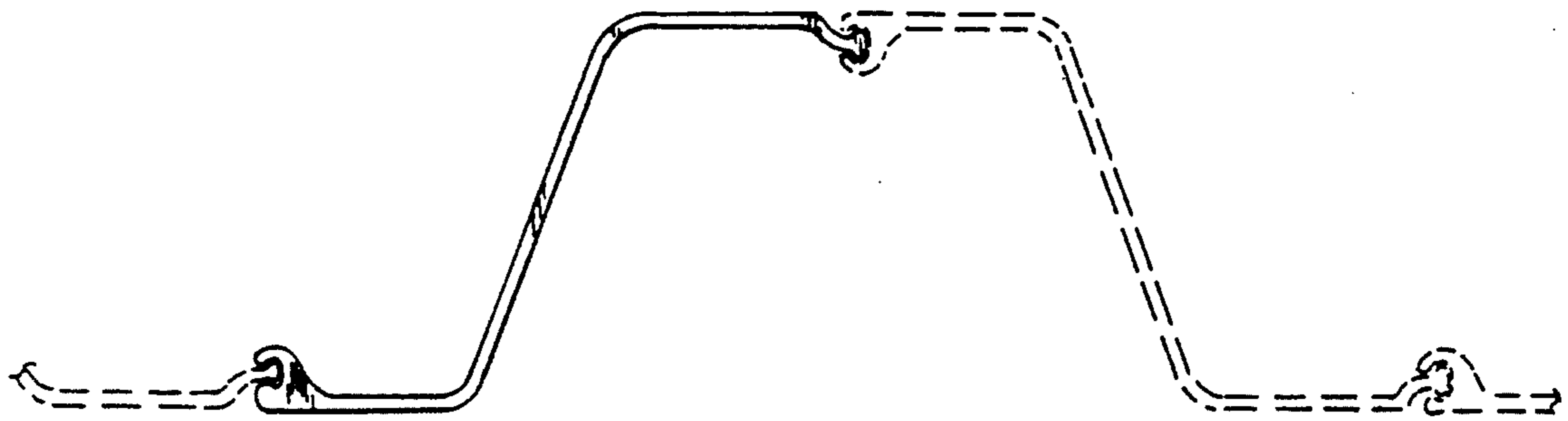


FIG. 7