



US00D348107S

United States Patent [19]

[11] Patent Number: **Des. 348,107**

Wilkinson

[45] Date of Patent: **** Jun. 21, 1994**

[54] SOLARIUM

[56]

References Cited

U.S. PATENT DOCUMENTS

[75] Inventor: **Simon J. H. Wilkinson, Groningen, Netherlands**

D. 278,461 4/1985 Pepall D24/210
4,740,707 4/1988 Thaw 250/504 R

[73] Assignee: **U.S. Philips Corporation, New York, N.Y.**

Primary Examiner—Susan J. Lucas
Attorney, Agent, or Firm—Jack E. Haken

[**] Term: **14 Years**

[57]

CLAIM

The ornamental design for a solarium, as shown.

[21] Appl. No.: **911,227**

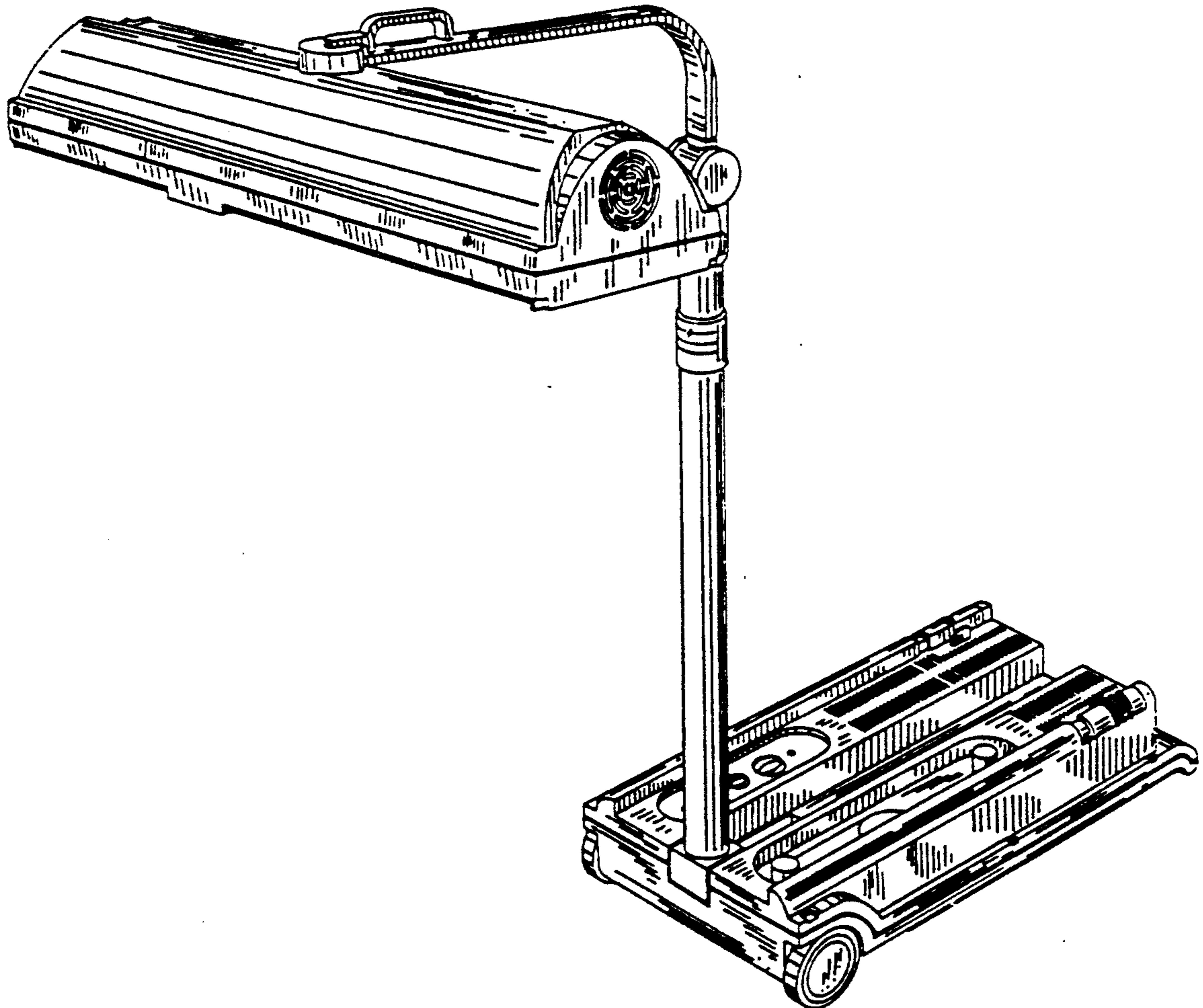
DESCRIPTION

[22] Filed: **Jul. 9, 1992**

FIG. 1 is a front, top, right side perspective view showing my new design;
FIG. 2 is a front elevational view thereof;
FIG. 3 is a rear elevational view thereof;
FIG. 4 is a right side elevational view thereof;
FIG. 5 is a left side elevational view thereof;
FIG. 6 is a top plan view thereof;
FIG. 7 is a bottom plan view thereof;
FIG. 8 is a perspective view showing our new design in half opened position; and,
FIG. 9 is a perspective view showing our new design in closed position.

[30] Foreign Application Priority Data

Feb. 14, 1992 [CH] Switzerland DM/022.010
[52] U.S. Cl. D24/210; D26/65
[58] Field of Search 250/494.1, 504 R;
128/395, 396; 362/418, 419, 427, 269; D24/210;
D26/60-66



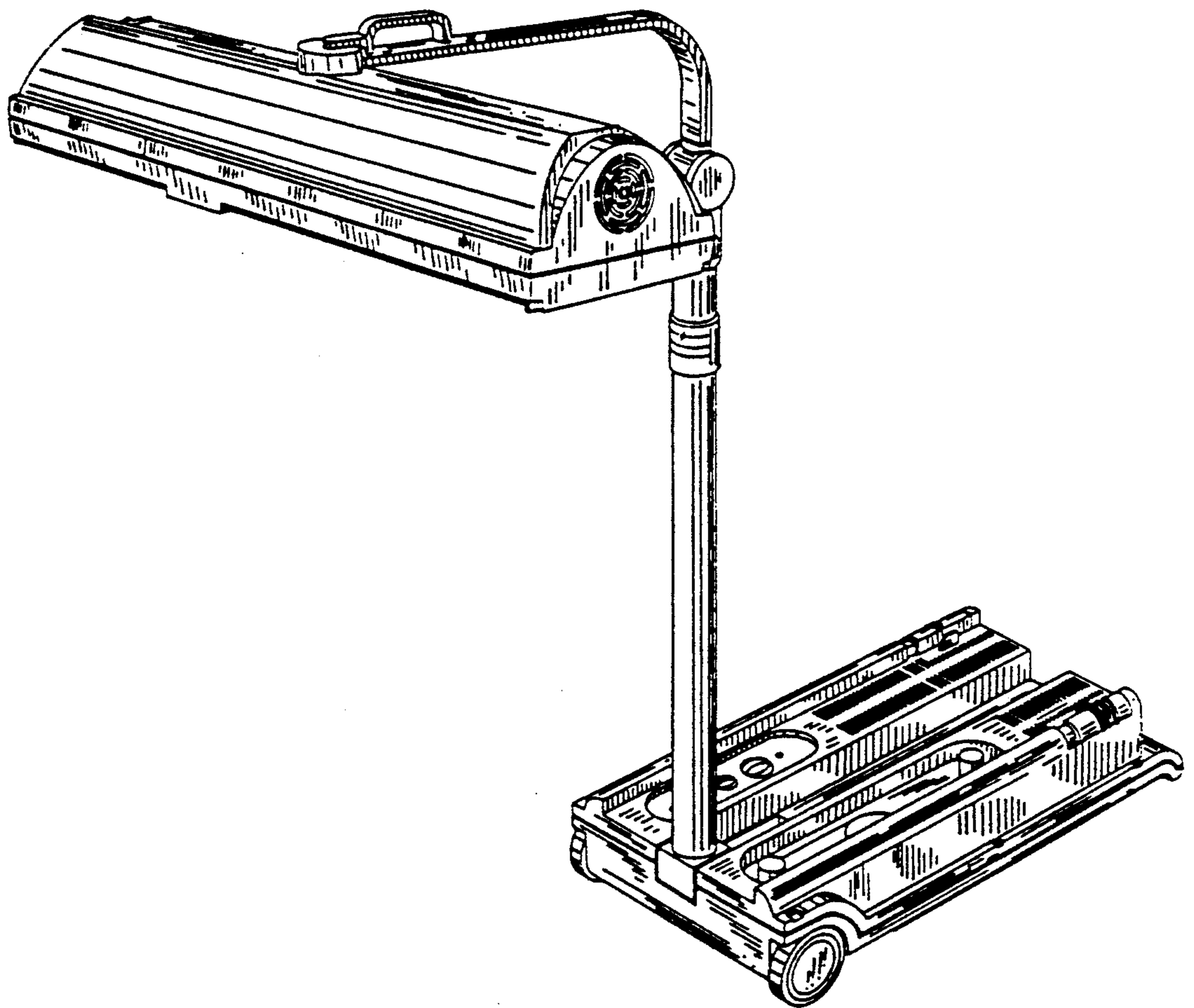


FIG. 1

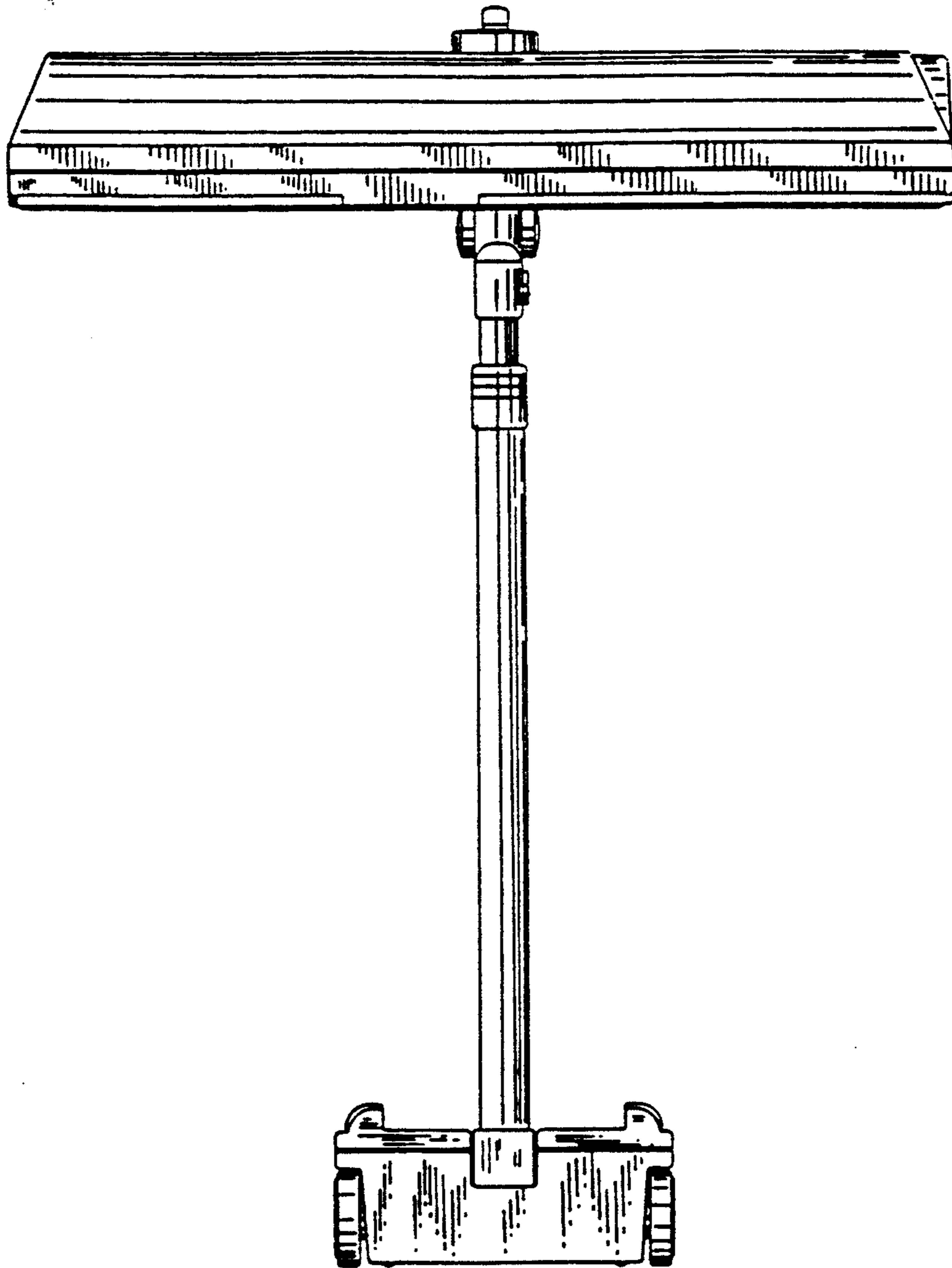


FIG. 2

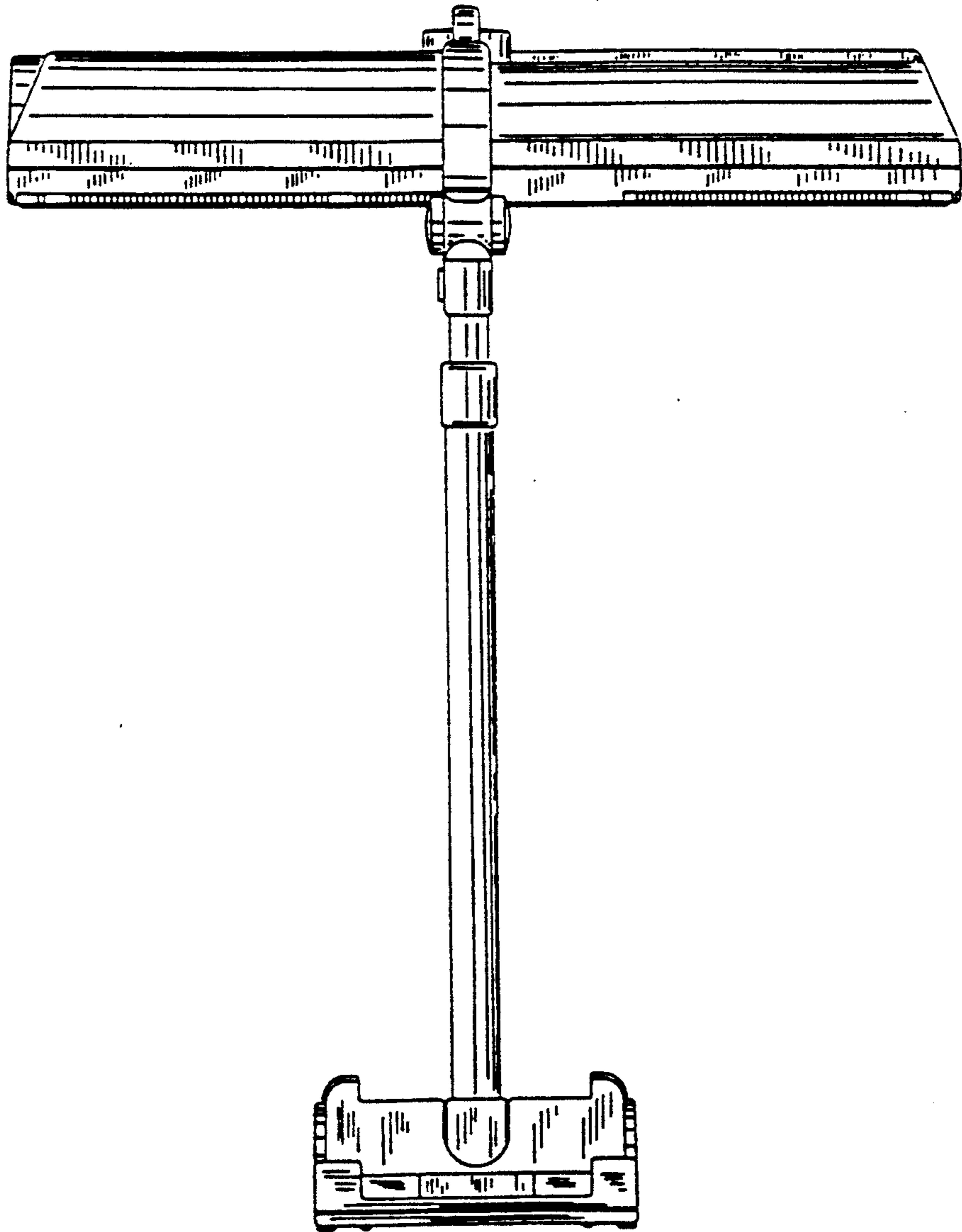


FIG. 3

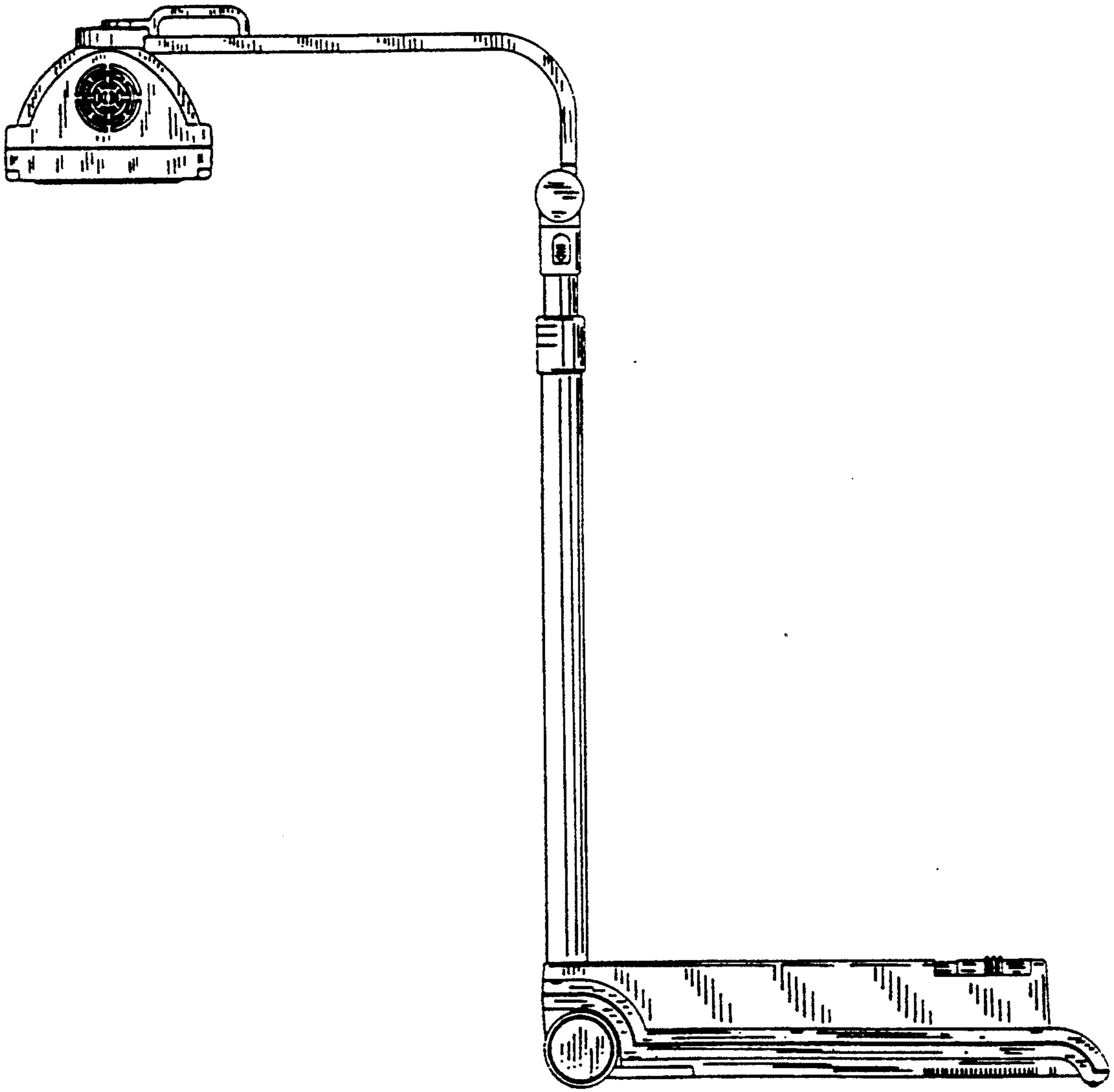


FIG. 4

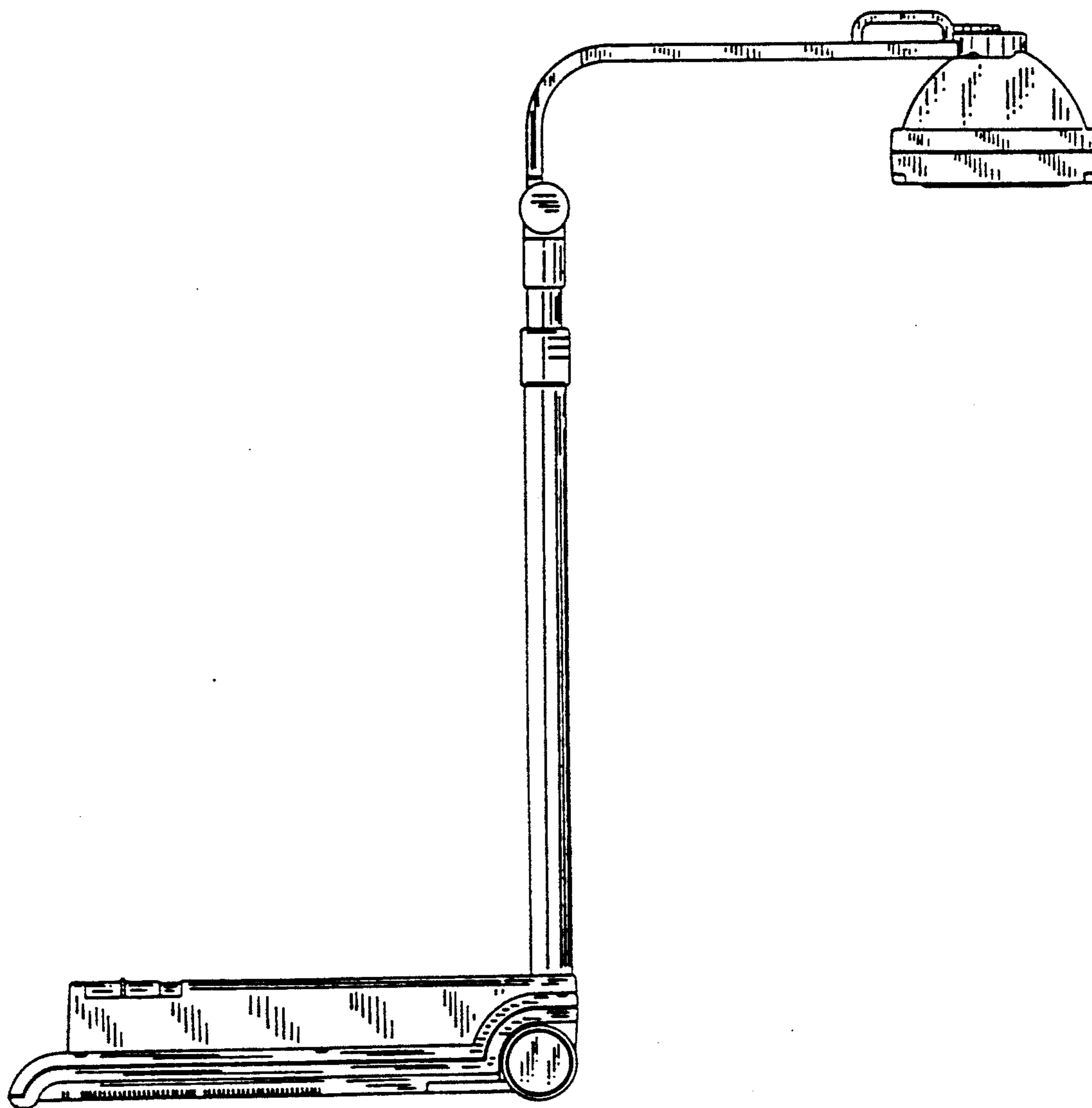


FIG. 5

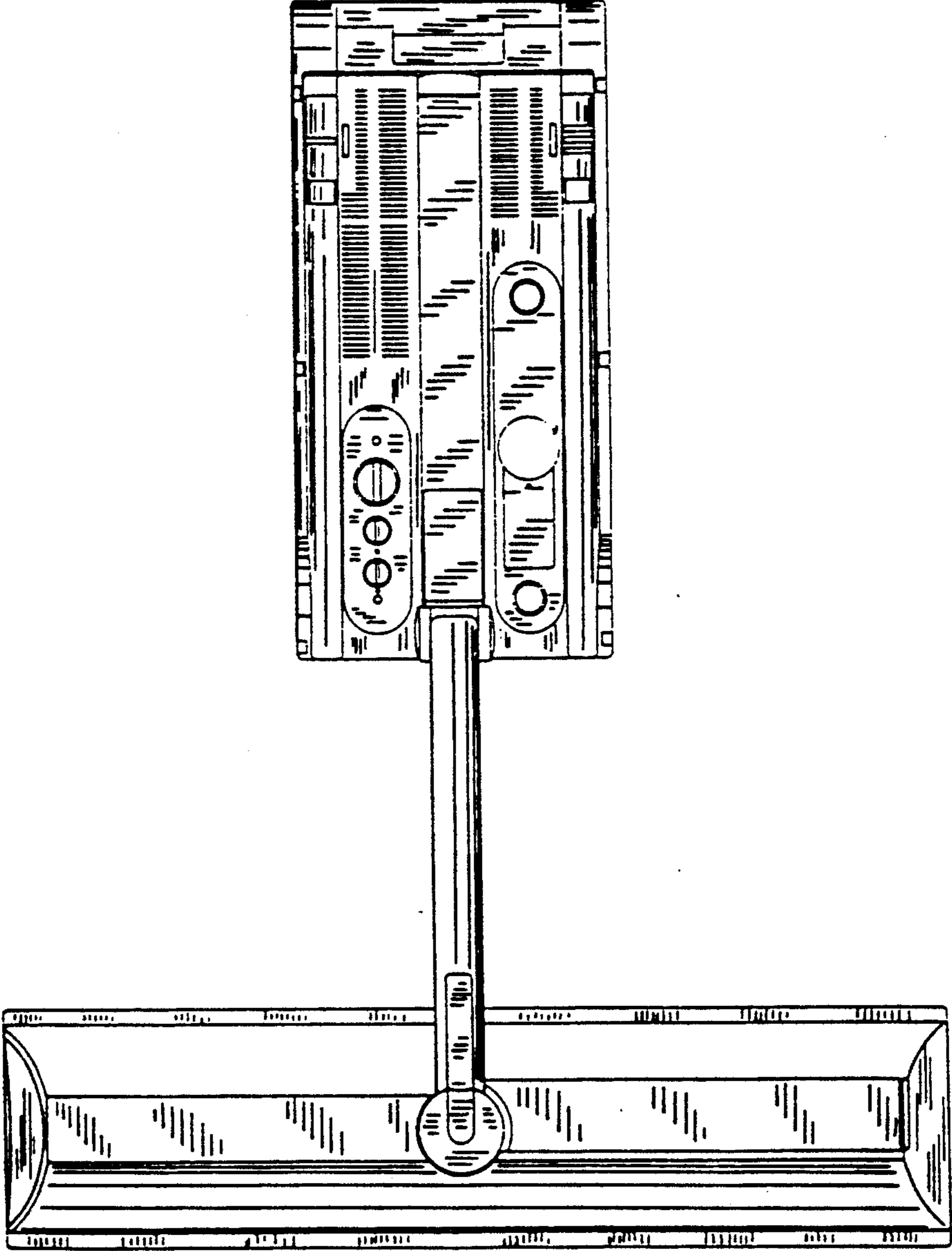


FIG. 6

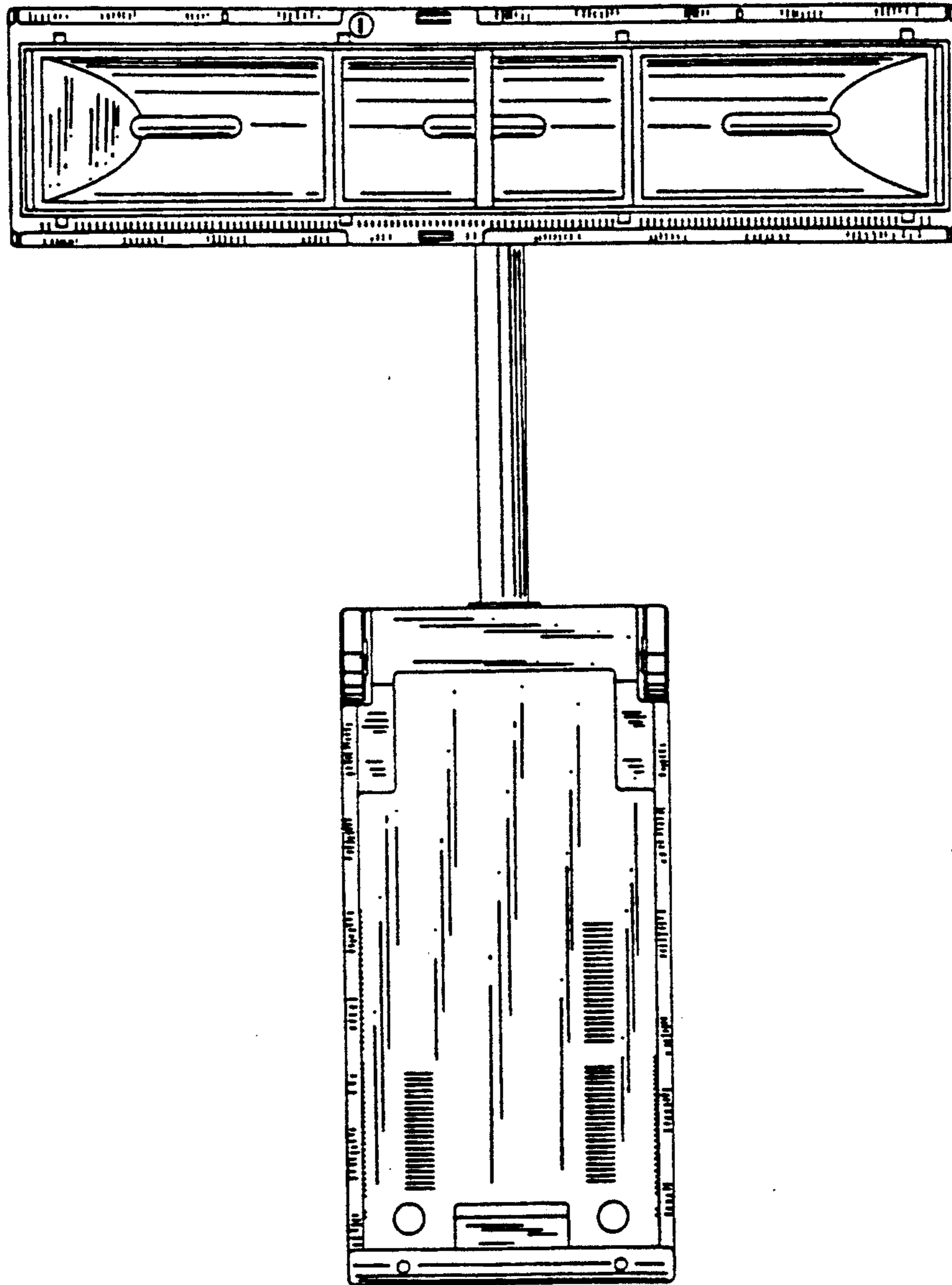


FIG. 7

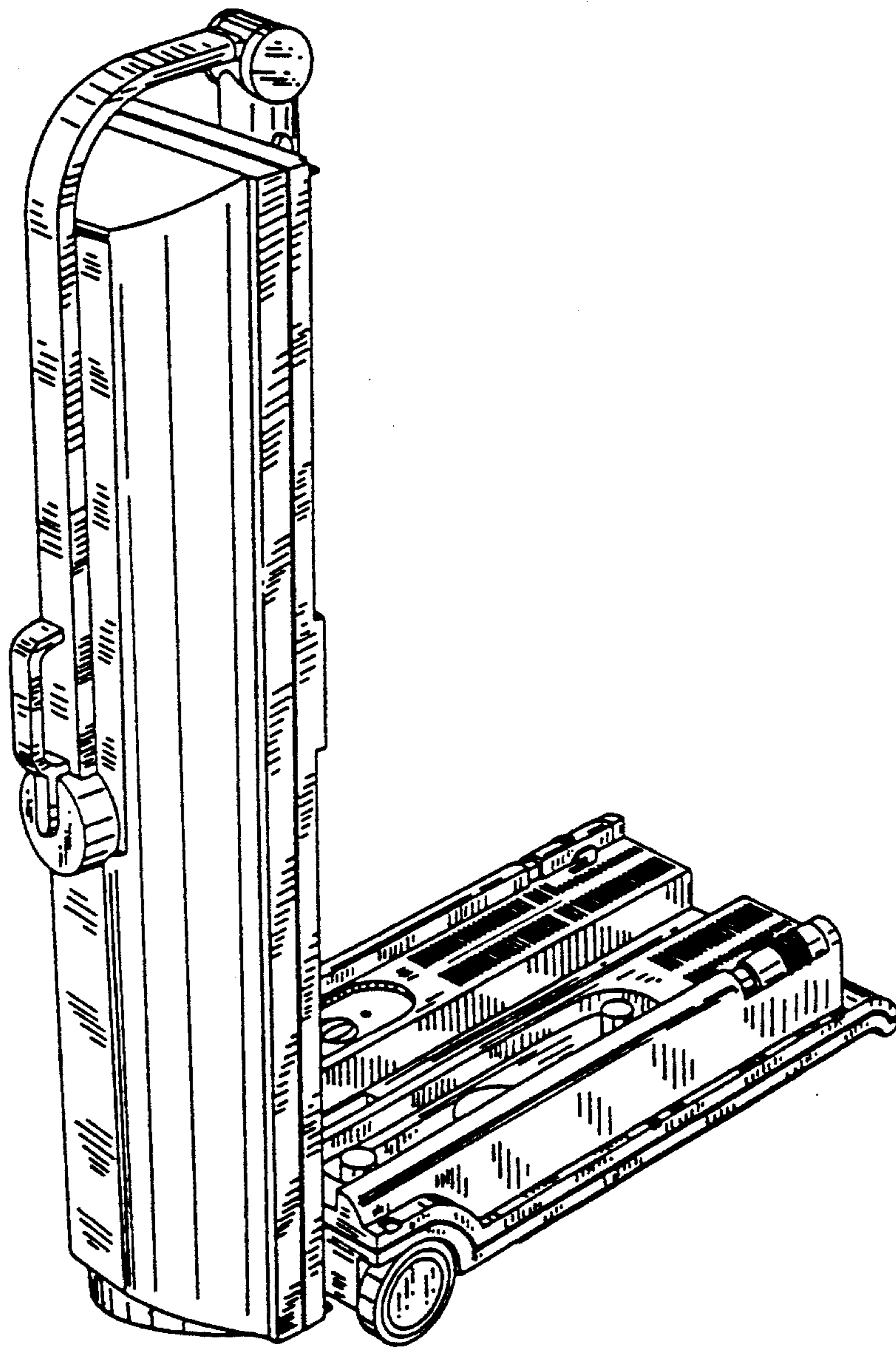


FIG. 8

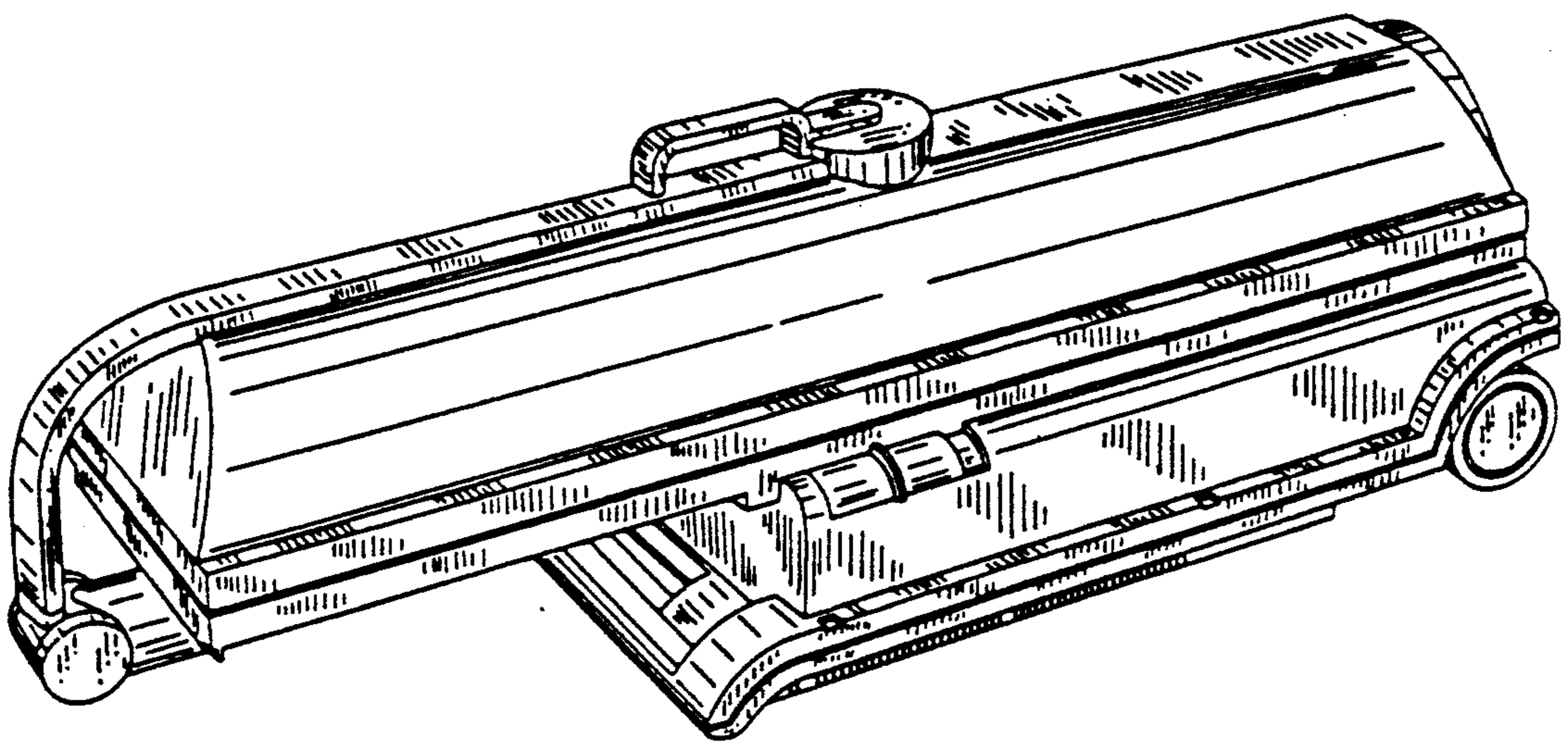


FIG. 9