



US00D348103S

United States Patent [19]

[11] Patent Number: Des. 348,103

Brancel et al.

[45] Date of Patent: ** Jun. 21, 1994

[54] BIOPSY FORCEPS

D. 331,109 11/1992 McWhinney et al. D24/143
5,059,201 10/1991 Asnis 606/148 X
5,152,778 10/1992 Bales, Jr. et al. 606/205

[75] Inventors: Dale H. Brancel, Colleyville;
Michael W. Freitas, Irving; Clarence
D. Zierhut, Garland, all of Tex.

Primary Examiner—Stella Reid
Assistant Examiner—I. Simmons
Attorney, Agent, or Firm—Robert A. Felsman

[73] Assignee: Dexide, Inc., Fort Worth, Tex.

[*] Notice: The portion of the term of this patent
subsequent to Mar. 15, 2008 has been
disclaimed.

[57] CLAIM

The ornamental design for a biopsy forceps, as shown
and described.

[**] Term: 14 Years

DESCRIPTION

[21] Appl. No.: 756,185

FIG. 1 is a left-side elevational view of the invention;
FIG. 2 is a right-side elevational view thereof;
FIG. 3 is a three-quarters perspective view of rear, left
and top sides of the invention;
FIG. 4 is an enlarged top-plan view of the invention;
FIG. 5 is an enlarged bottom-view of the invention;
and,
FIG. 6 is a front-elevational enlarged view of the inven-
tion.

[22] Filed: Sep. 9, 1991

[52] U.S. Cl. D24/143; D24/146

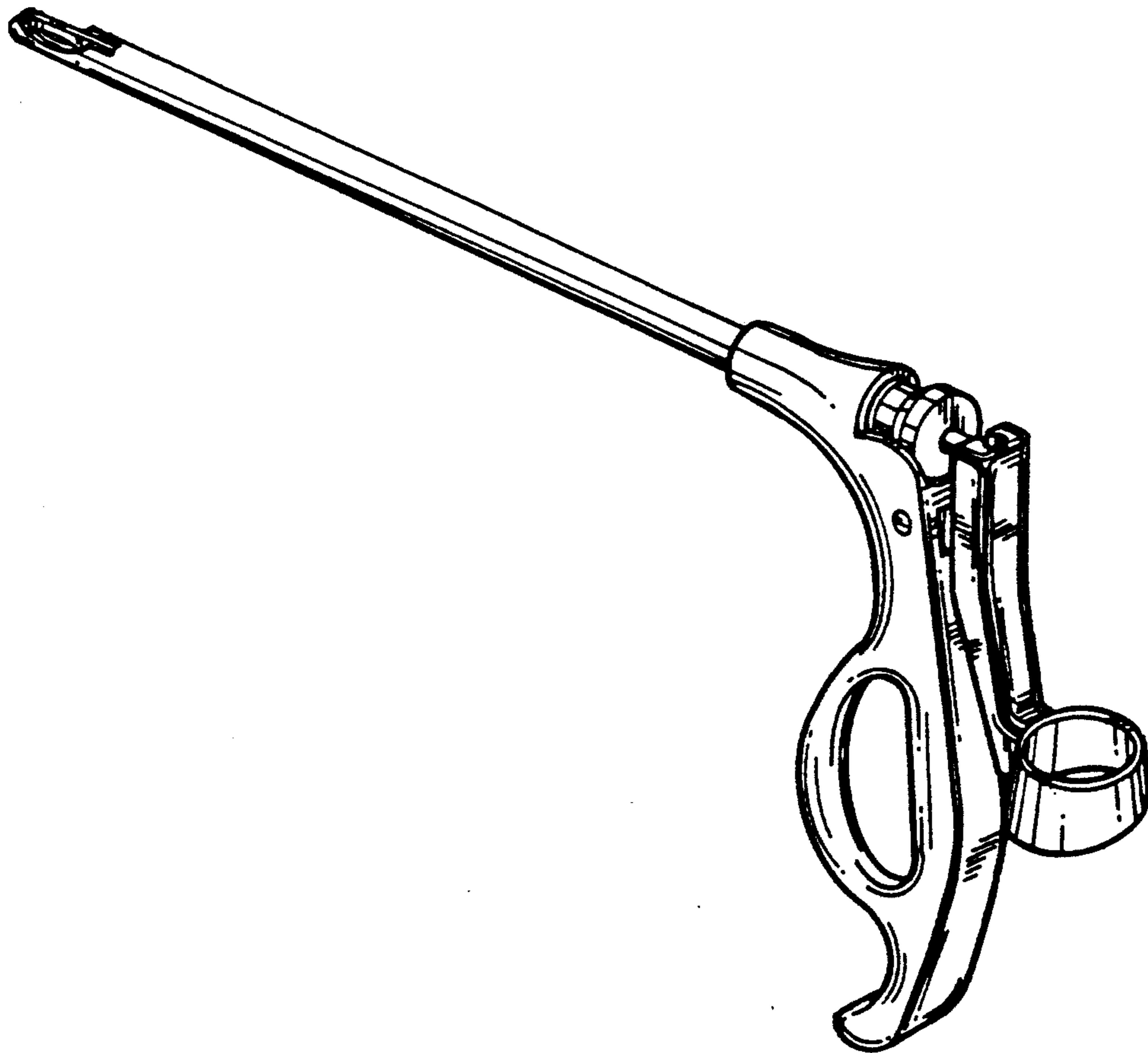
[58] Field of Search 128/749, 751, 757;
604/206, 205, 207, 208; D24/138, 143, 146, 147

[56] References Cited

U.S. PATENT DOCUMENTS

D. 272,855 2/1984 Bel et al. D24/143
D. 274,096 5/1984 Shutt D24/143
D. 289,437 4/1987 Honkanen D24/148

The broken line showing of the hand in FIG. 2 is for
illustrative purposes only and forms no part of the
claimed design.



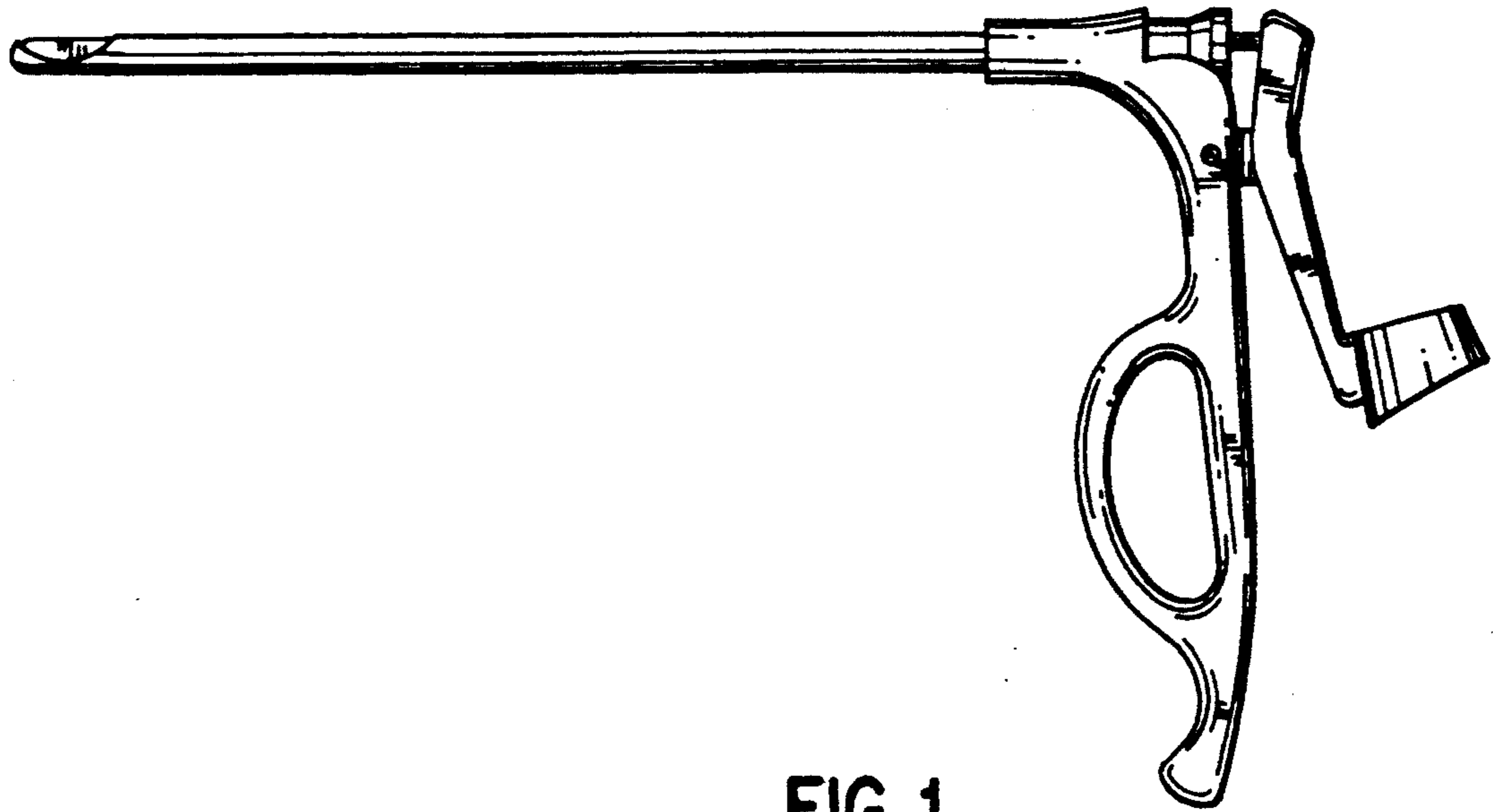


FIG. 1

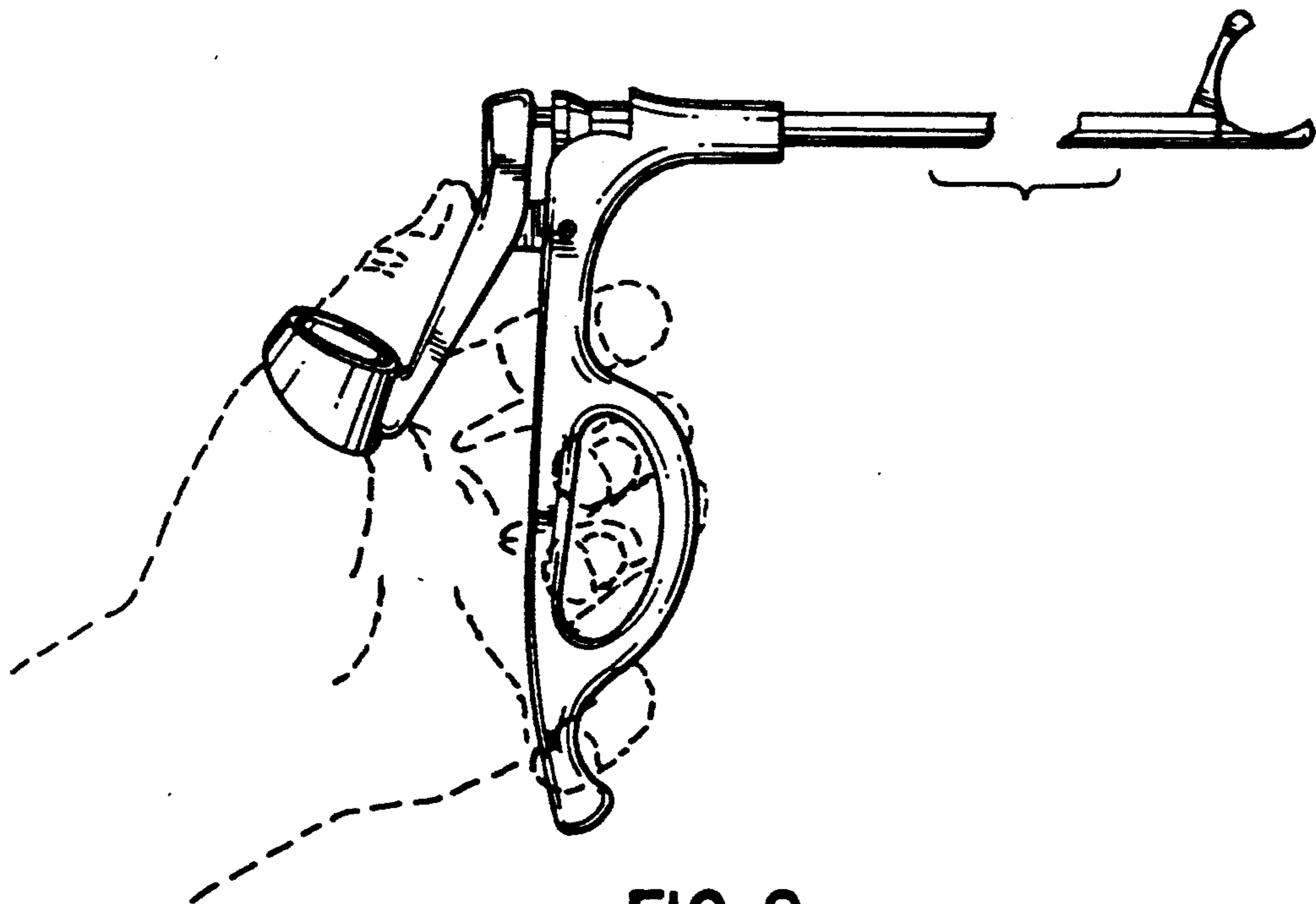


FIG. 2

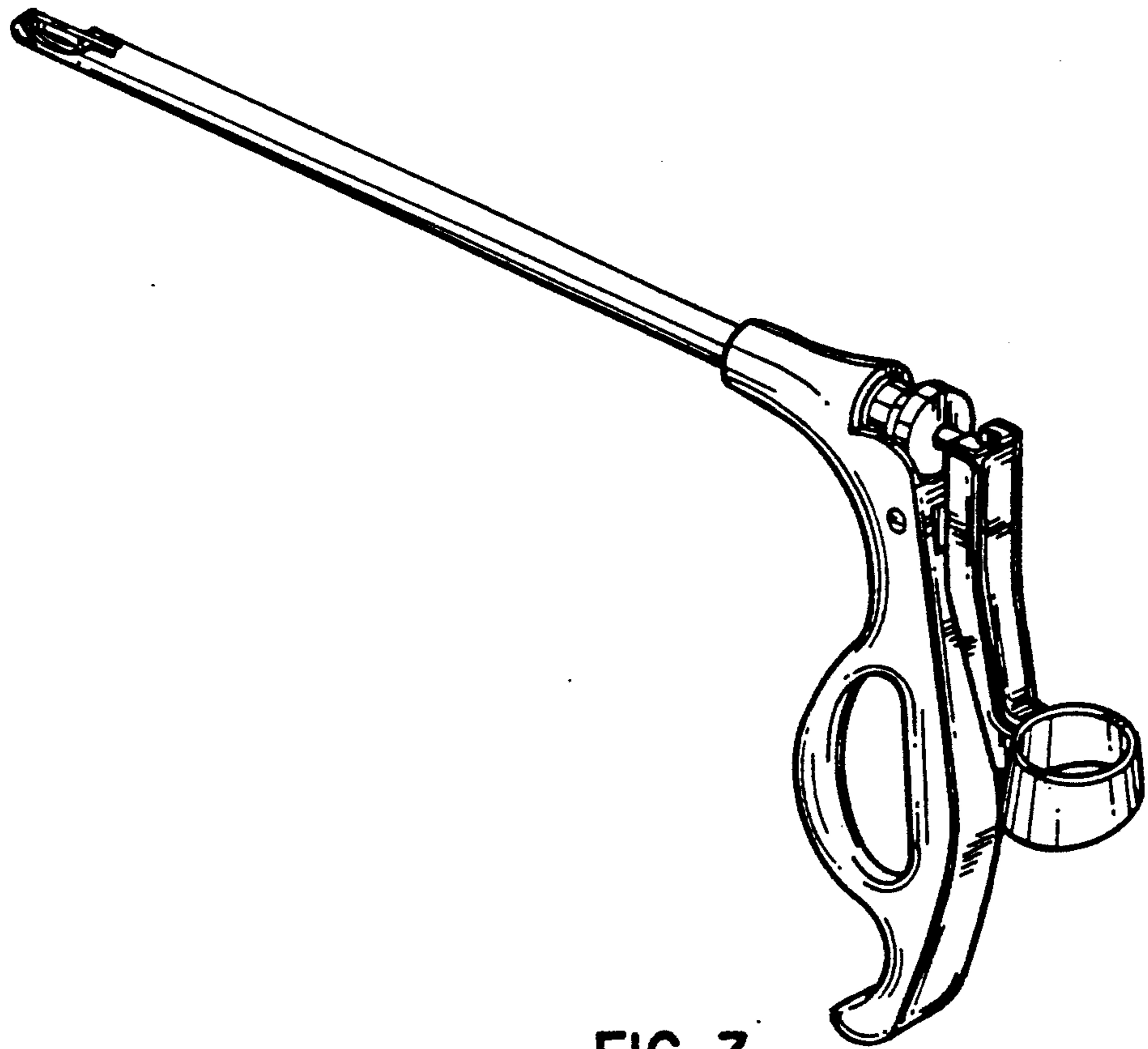


FIG. 3

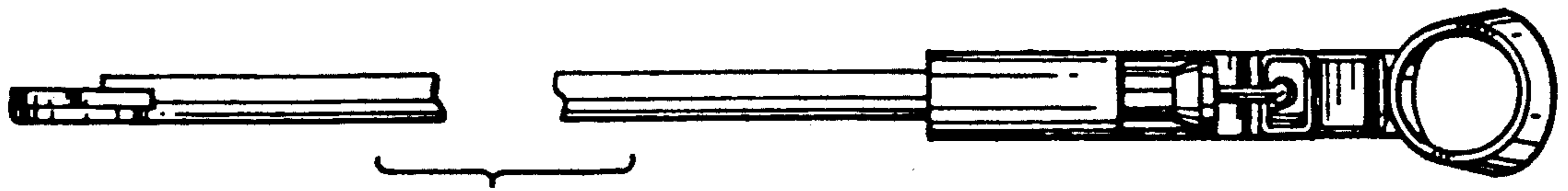


FIG. 4

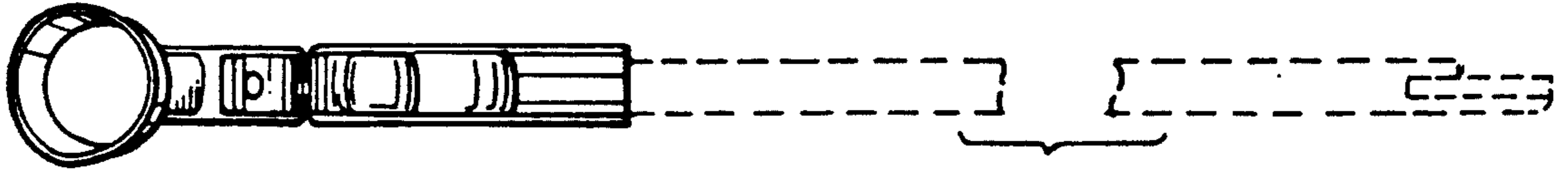


FIG. 5



FIG. 6