



US00D348097S

# United States Patent [19]

[11] Patent Number: **Des. 348,097**

**Inda et al.**

[45] Date of Patent: **\*\* Jun. 21, 1994**

[54] **PIPE COUPLING**

[75] Inventors: **John P. Inda, Shawnee; Joseph J. Inda, Tecumseh, both of Okla.**

[73] Assignee: **General Plastics, Inc., Shawnee, Okla.**

[\*\*] Term: **14 Years**

[21] Appl. No.: **852,414**

[22] Filed: **Mar. 16, 1992**

[52] U.S. Cl. .... **D23/263**

[58] Field of Search ..... **285/179, 184, 223, 226, 285/227; D23/262, 263, 266**

[56] **References Cited**

**U.S. PATENT DOCUMENTS**

149,958	4/1874	Smith .....	285/179 X
567,231	9/1896	Glauber .	
925,762	6/1909	Eager .	
2,086,007	7/1937	Tompkins .....	285/105
2,215,318	9/1940	Bristol .....	138/75
3,222,777	12/1965	Rutter et al. ....	285/179 X
3,825,288	7/1974	Maroschak .....	D23/263 X

**OTHER PUBLICATIONS**

Brochure of Northern Pipe Products, GPK Products, Inc., undated but admitted to be prior art, not dated.

*Primary Examiner*—Stella Reid

*Assistant Examiner*—Eric Watterson

*Attorney, Agent, or Firm*—Dougherty, Hessin, Beavers & Gilbert

[57] **CLAIM**

The ornamental design for a pipe coupling, as shown and described.

**DESCRIPTION**

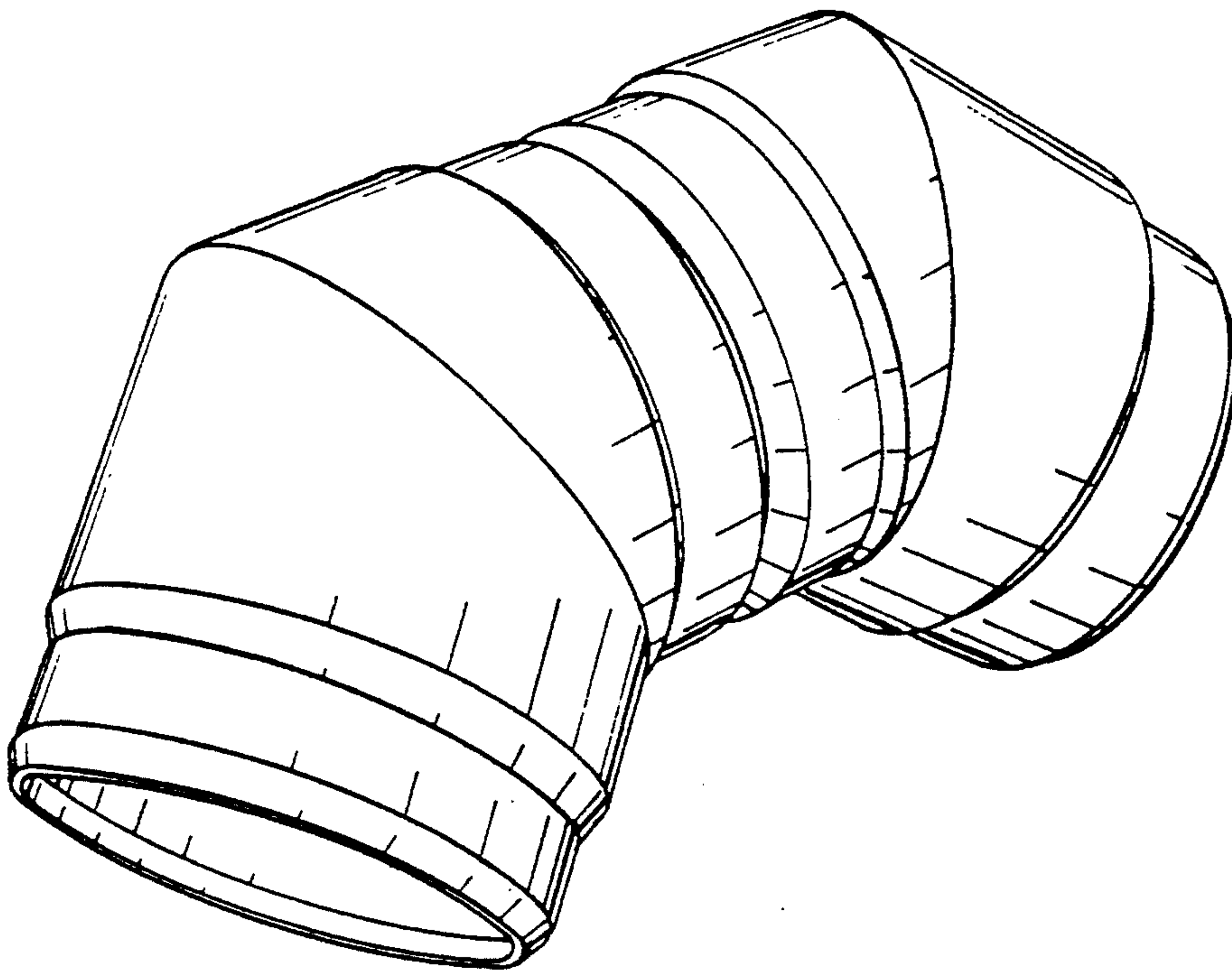
FIG. 1 is a side elevation view of a pipe coupling incorporating our new design. The opposite side of the coupling is a mirror image of that shown in FIG. 1;

FIG. 2 is a top plan view of the pipe coupling illustrated in FIG. 1;

FIG. 3 is a bottom plan view of the pipe coupling illustrated in FIGS. 1 and 2;

FIG. 4 is an end elevation view of the pipe coupling; and,

FIG. 5 is a perspective view of the pipe coupling.



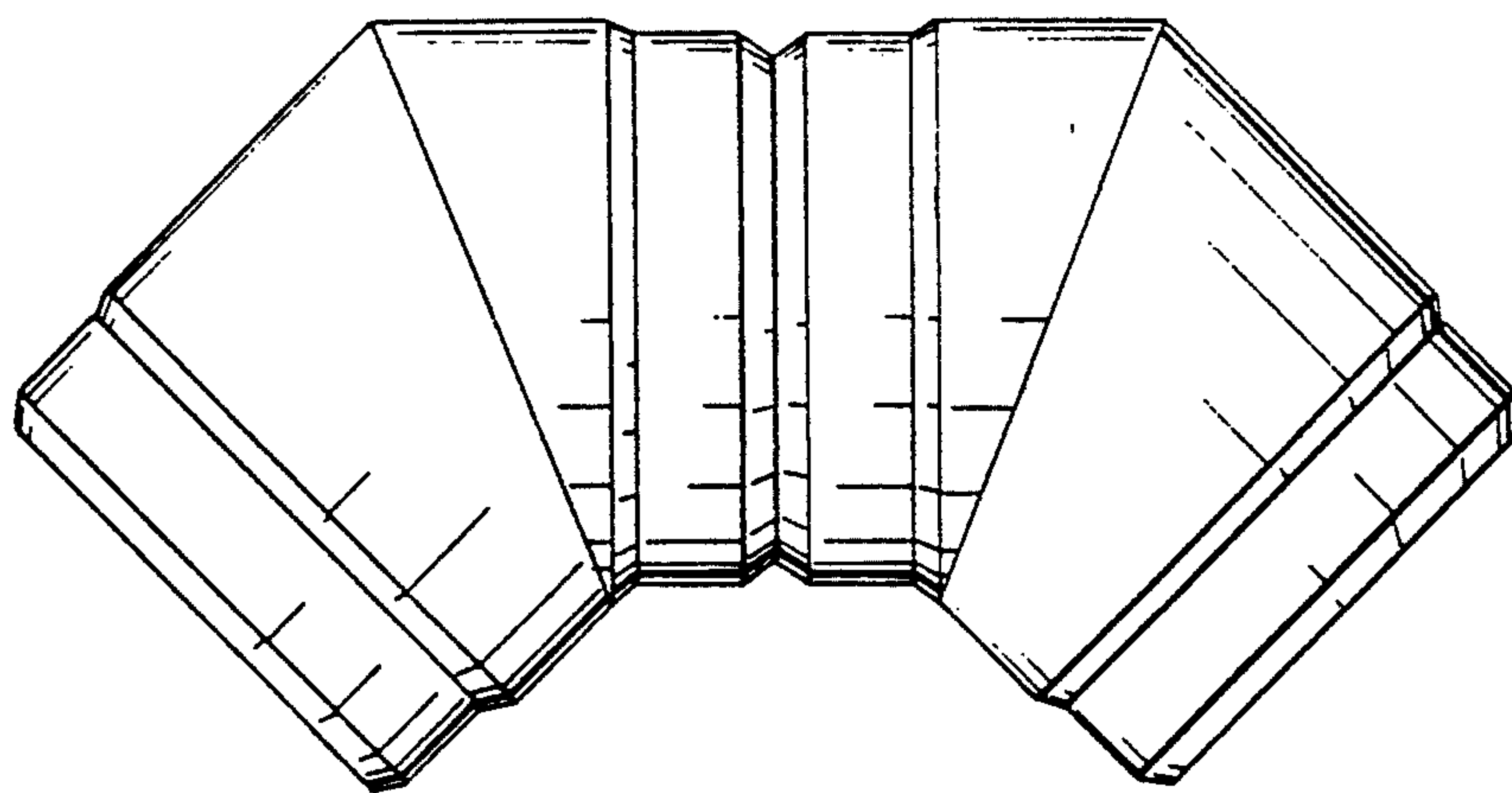


FIG. 1

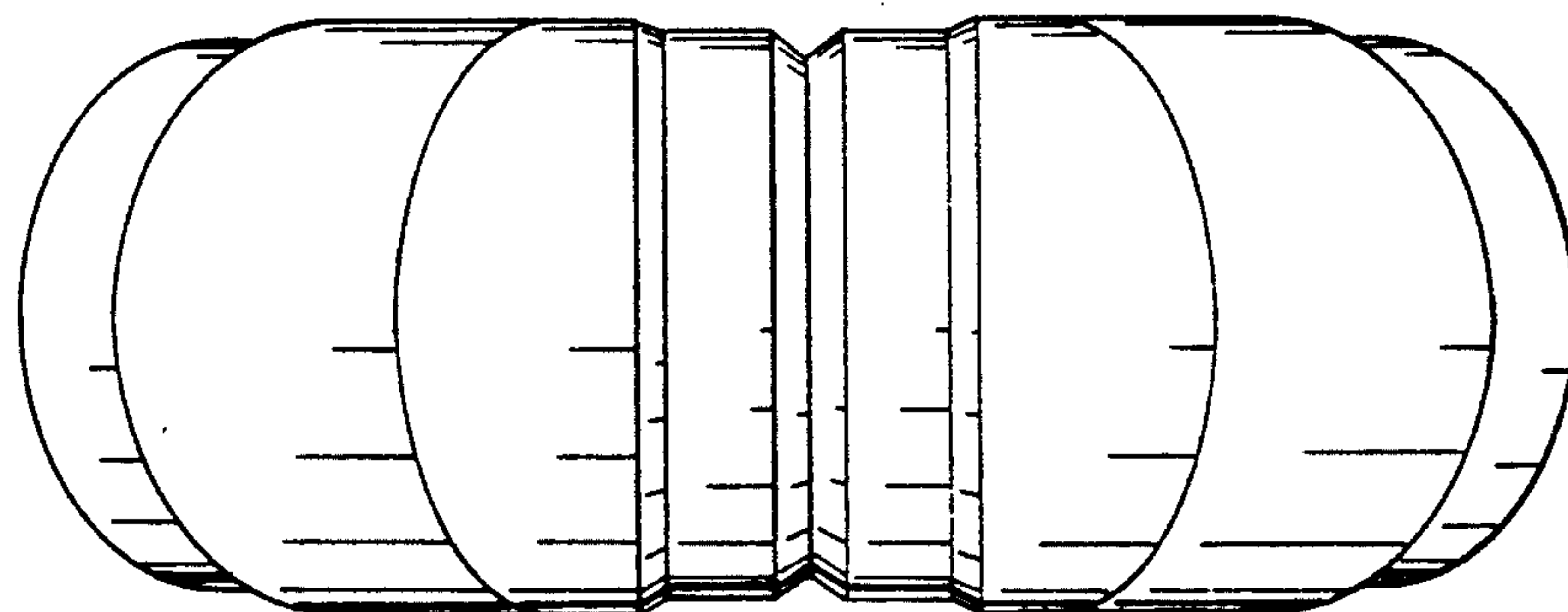


FIG. 2

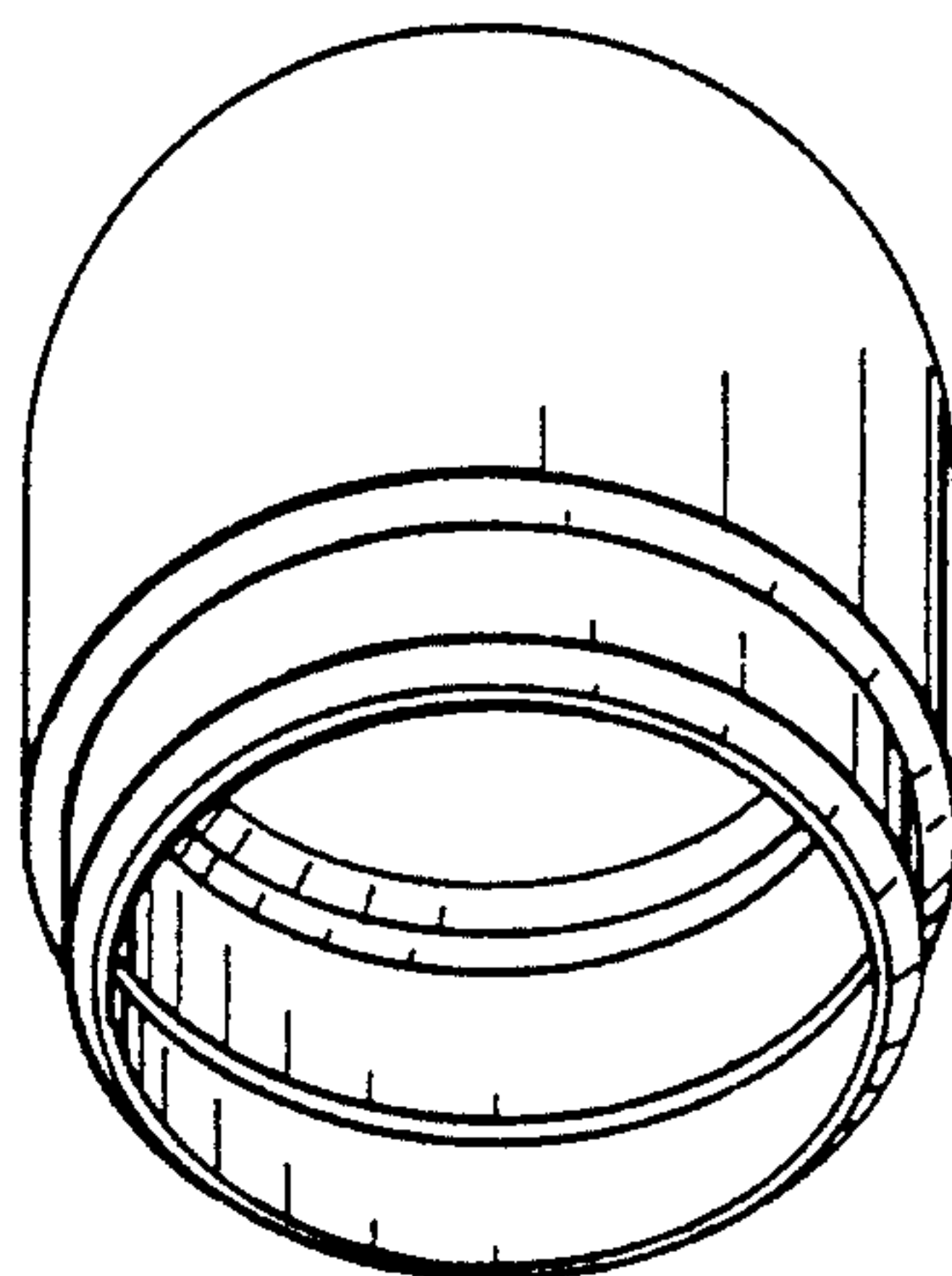


FIG. 3

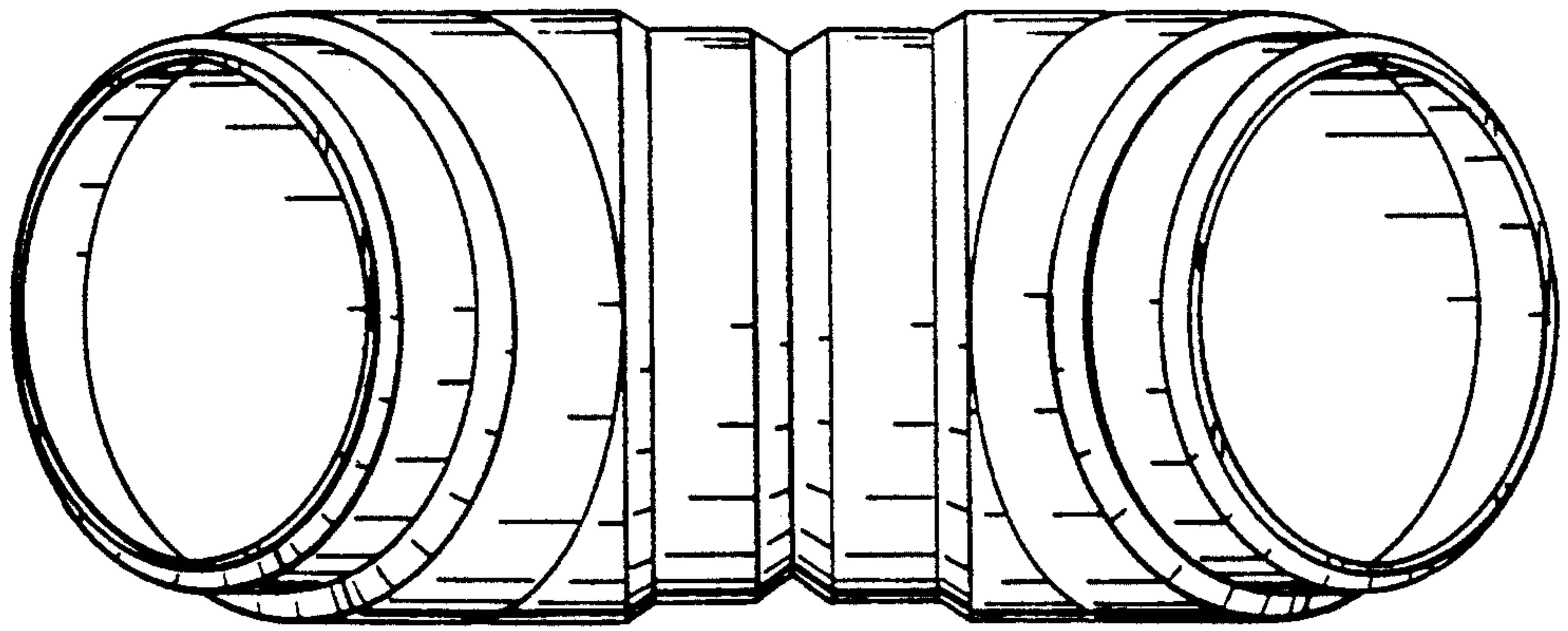


FIG. 3

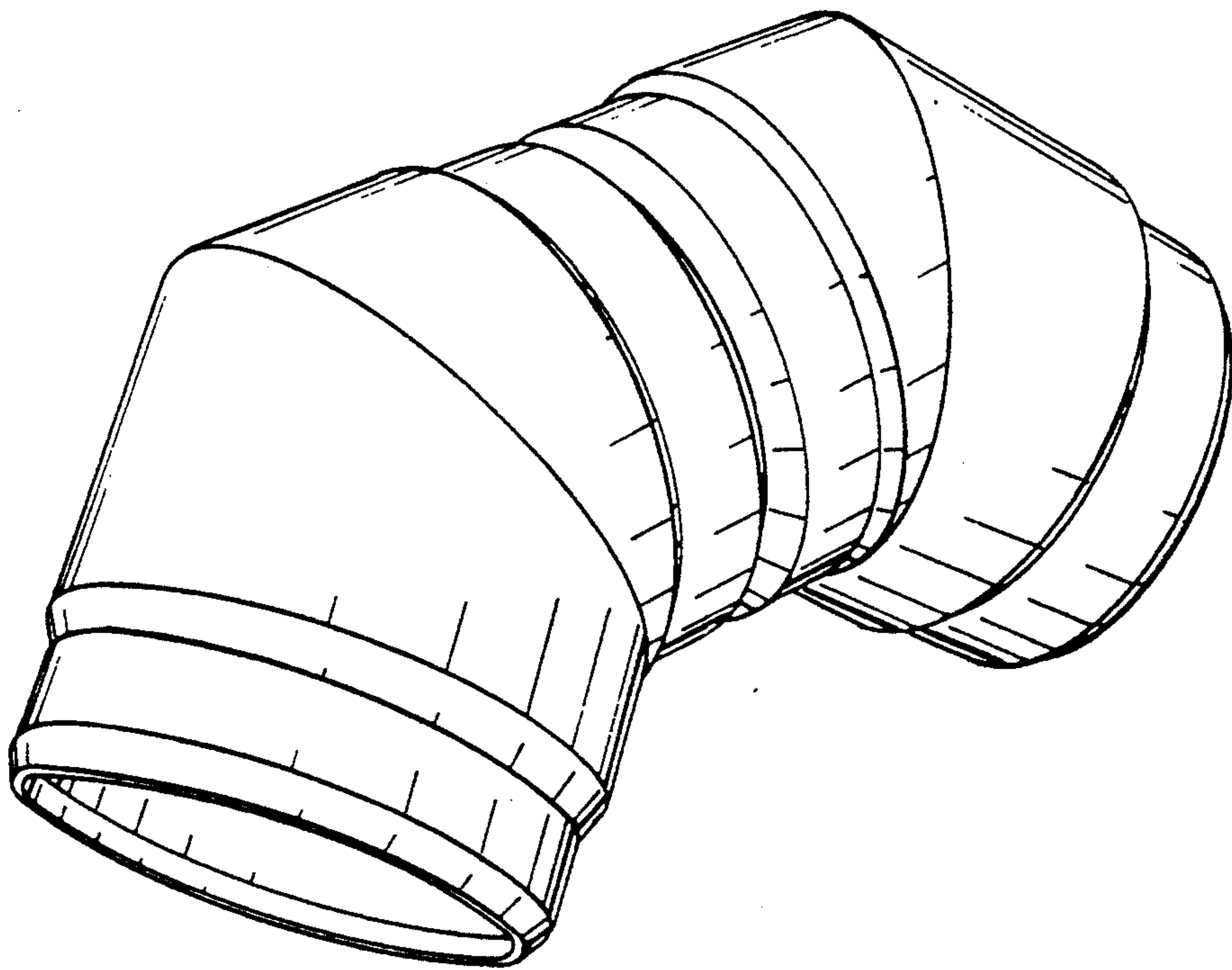


FIG. 5