



US00D348096S

United States Patent [19]

[11] Patent Number: **Des. 348,096**

Greenwood et al.

[45] Date of Patent: **** Jun. 21, 1994**

[54] **FLUID FLOW VALVE**

[75] Inventors: **Peter J. Greenwood, Danbury; Benedict J. Aliano, Oxford; Taeoon Lee; Martin M. Barolli, both of Waterbury, all of Conn.**

[73] Assignee: **Carten Controls, Inc., Middlebury, Conn.**

[**] Term: **14 Years**

[21] Appl. No.: **9,642**

[22] Filed: **Jun. 17, 1993**

[52] U.S. Cl. **D23/245**

[58] Field of Search **137/202, 203, 504, 513.3, 137/68.1; 251/30.02, 129.08, 129.18, 129.21, 342, 366, 205, 335.3, 215, 218, 224, 225, 318; D23/233-238, 244-249, 255**

[56] **References Cited**

U.S. PATENT DOCUMENTS

D. 301,915	6/1989	Fisher et al.	D23/233
D. 301,916	6/1989	Fisher et al.	D23/233
1,935,329	11/1933	Needham	251/366 X
3,383,089	5/1968	Baxter	251/366
4,421,298	12/1983	Kajawski	251/335.3 X
4,931,619	2/1991	Della Porta	251/335.3 X

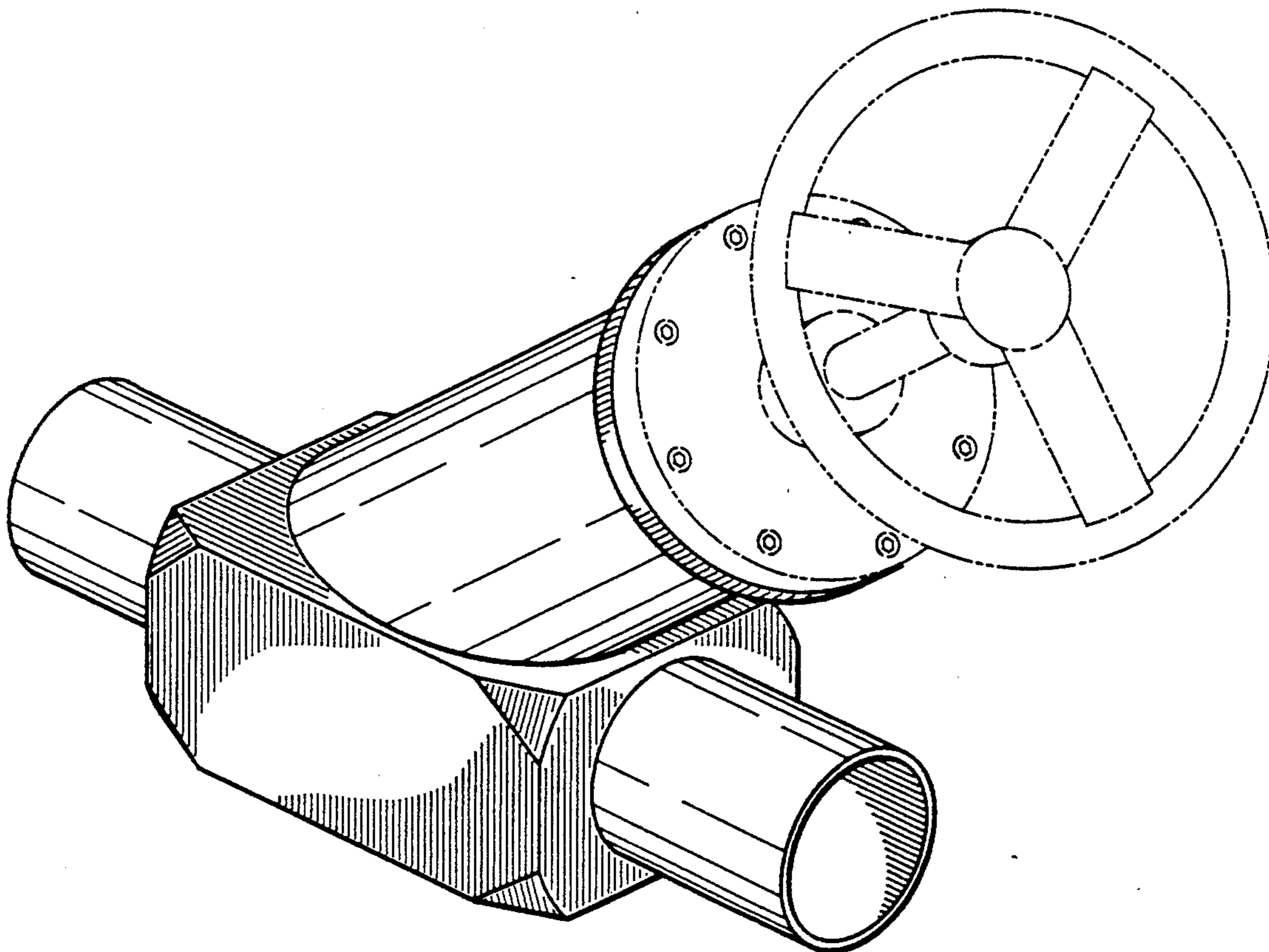
*Primary Examiner—Stella Reid
Assistant Examiner—Eric Watterson
Attorney, Agent, or Firm—Carten Controls, Inc.*

[57] **CLAIM**

The ornamental design for a fluid flow valve, as shown and described.

DESCRIPTION

FIG. 1 is a perspective view of a fluid flow valve showing our new design;
FIG. 2 is a right side elevational view thereof;
FIG. 3 is a left side elevational view thereof;
FIG. 4 is a top plan view thereof;
FIG. 5 is a bottom plan view thereof;
FIG. 6 is a front elevational view thereof;
FIG. 7 is a rear elevational view thereof;
FIG. 8 is a perspective view of a second embodiment of a fluid flow valve showing our new design;
FIG. 9 is a right side elevational view thereof;
FIG. 10 is a left side elevational view thereof;
FIG. 11 is a top plan view thereof;
FIG. 12 is a bottom plan view thereof;
FIG. 13 is a front elevational view thereof; and,
FIG. 14 is a rear elevational view thereof.
The broken line showing in FIGS. 1 through 14 is for illustrative purposes only and forms no part of the claimed design.



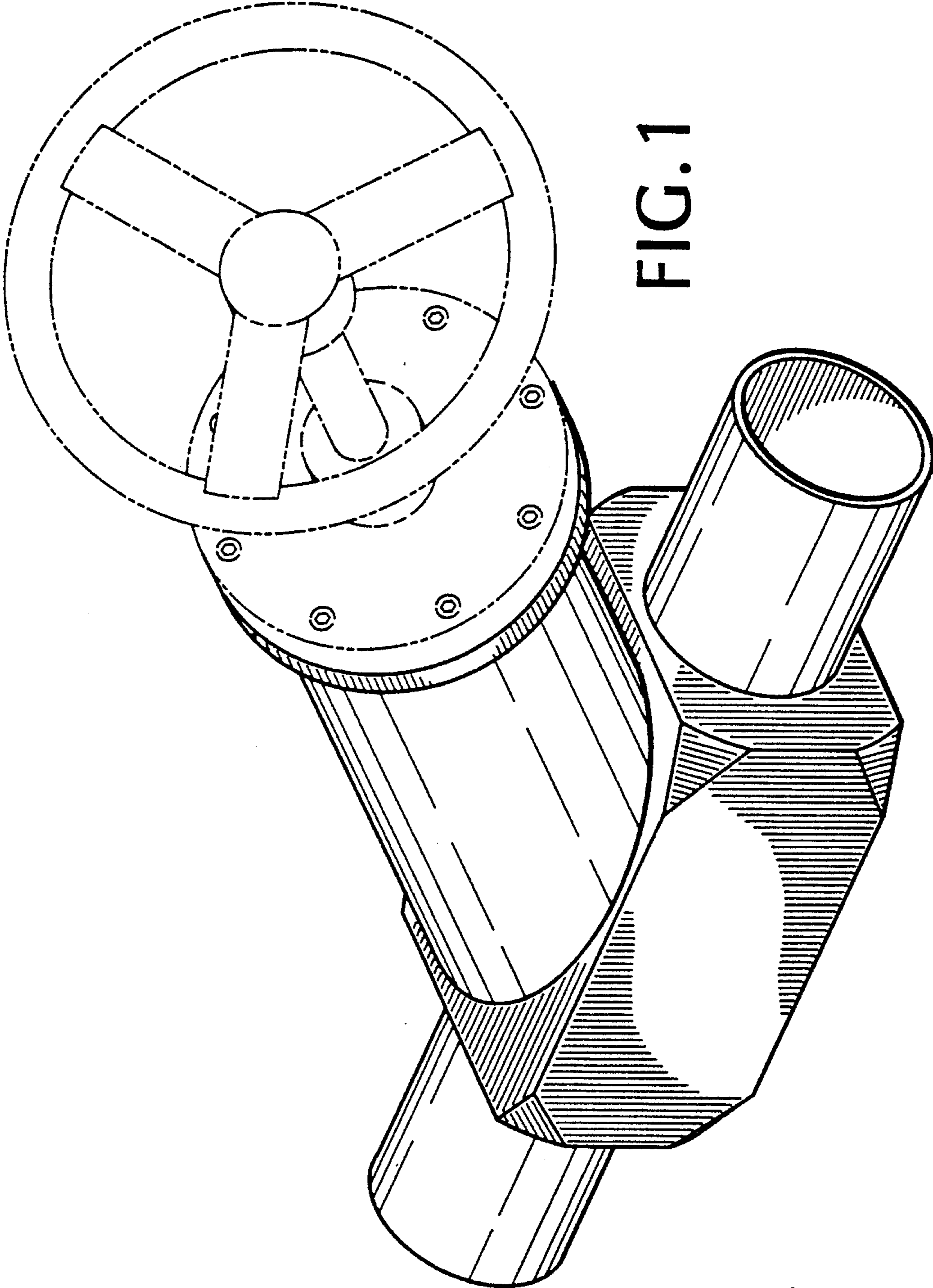


FIG. 1

FIG. 2

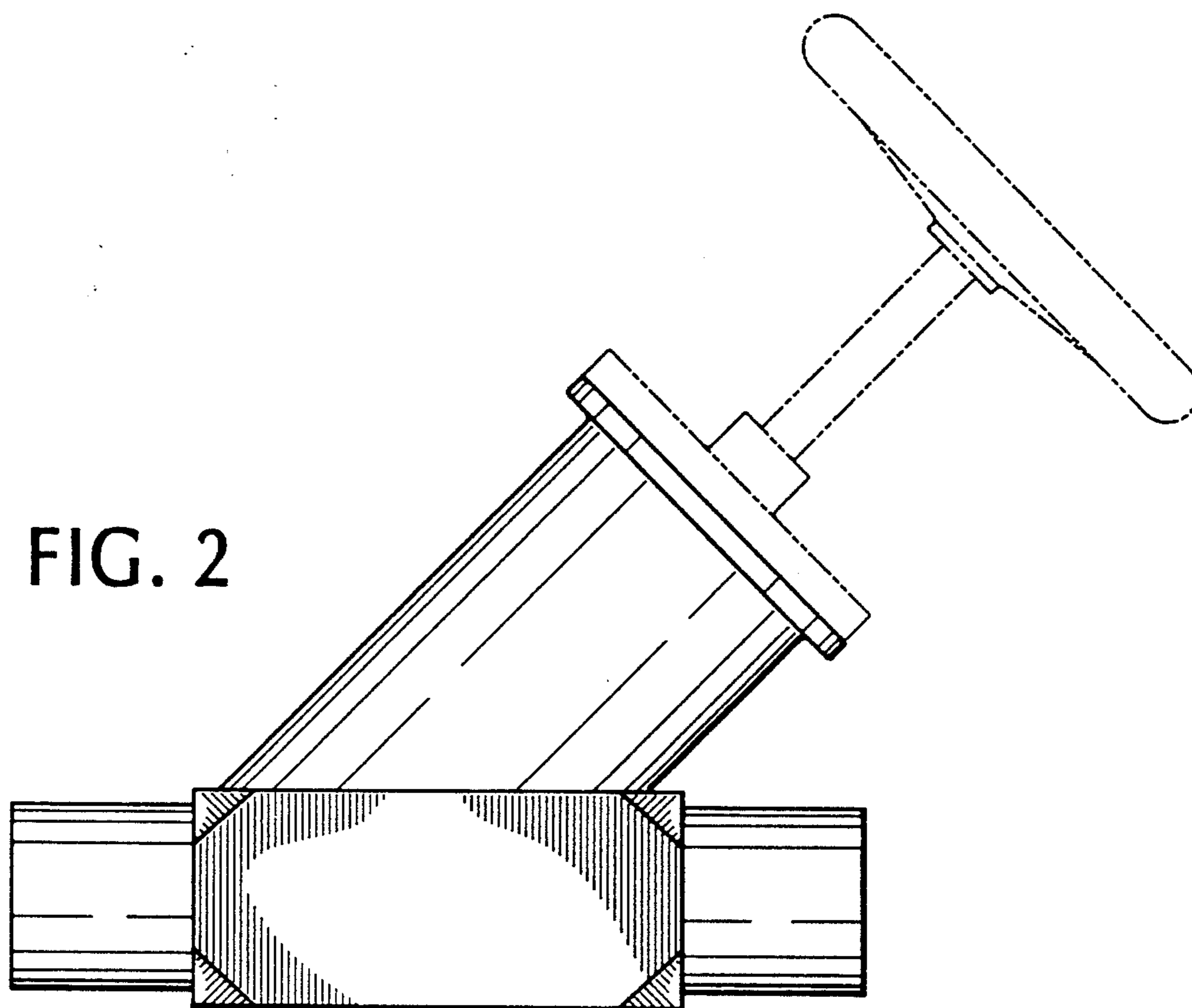
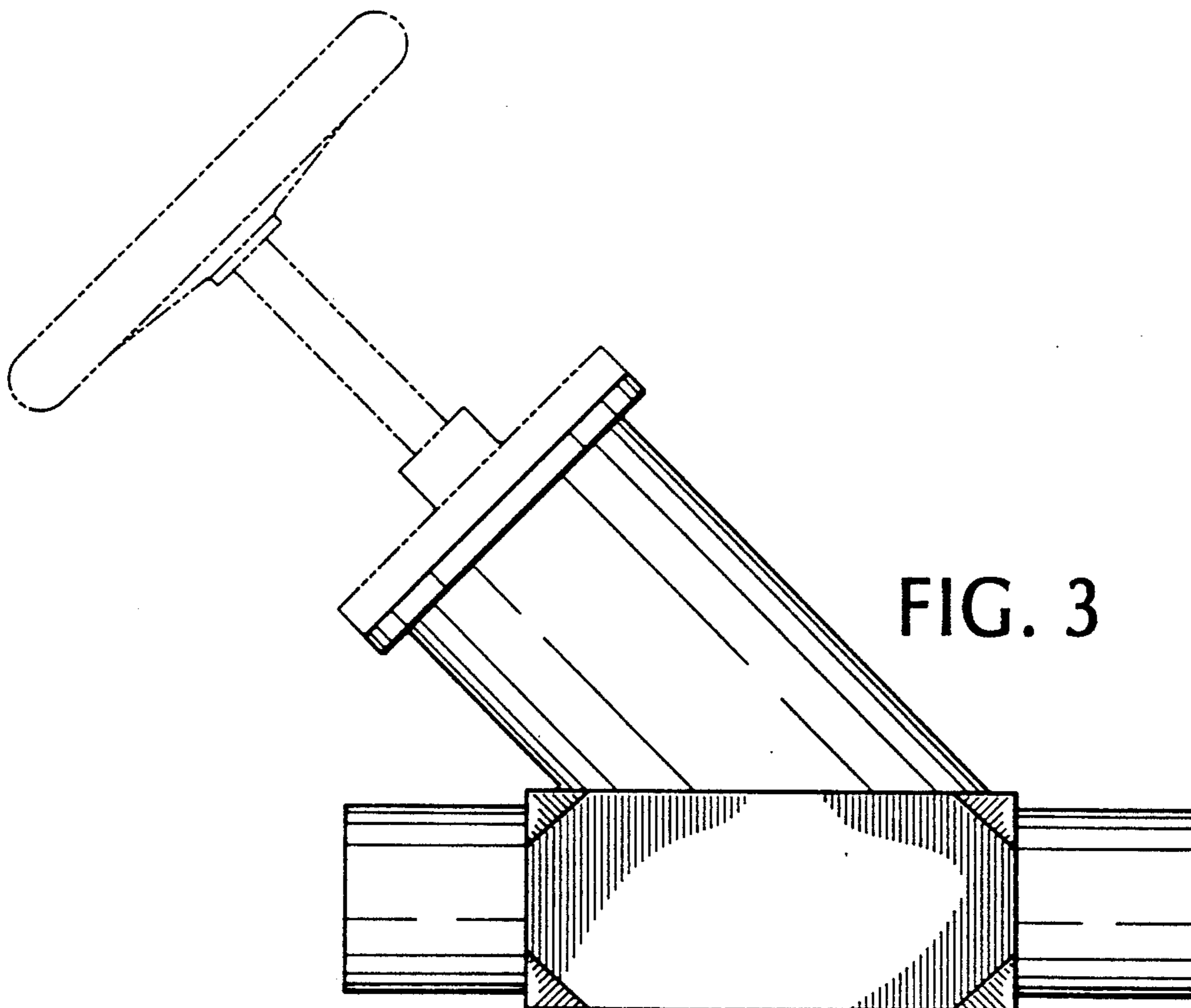


FIG. 3



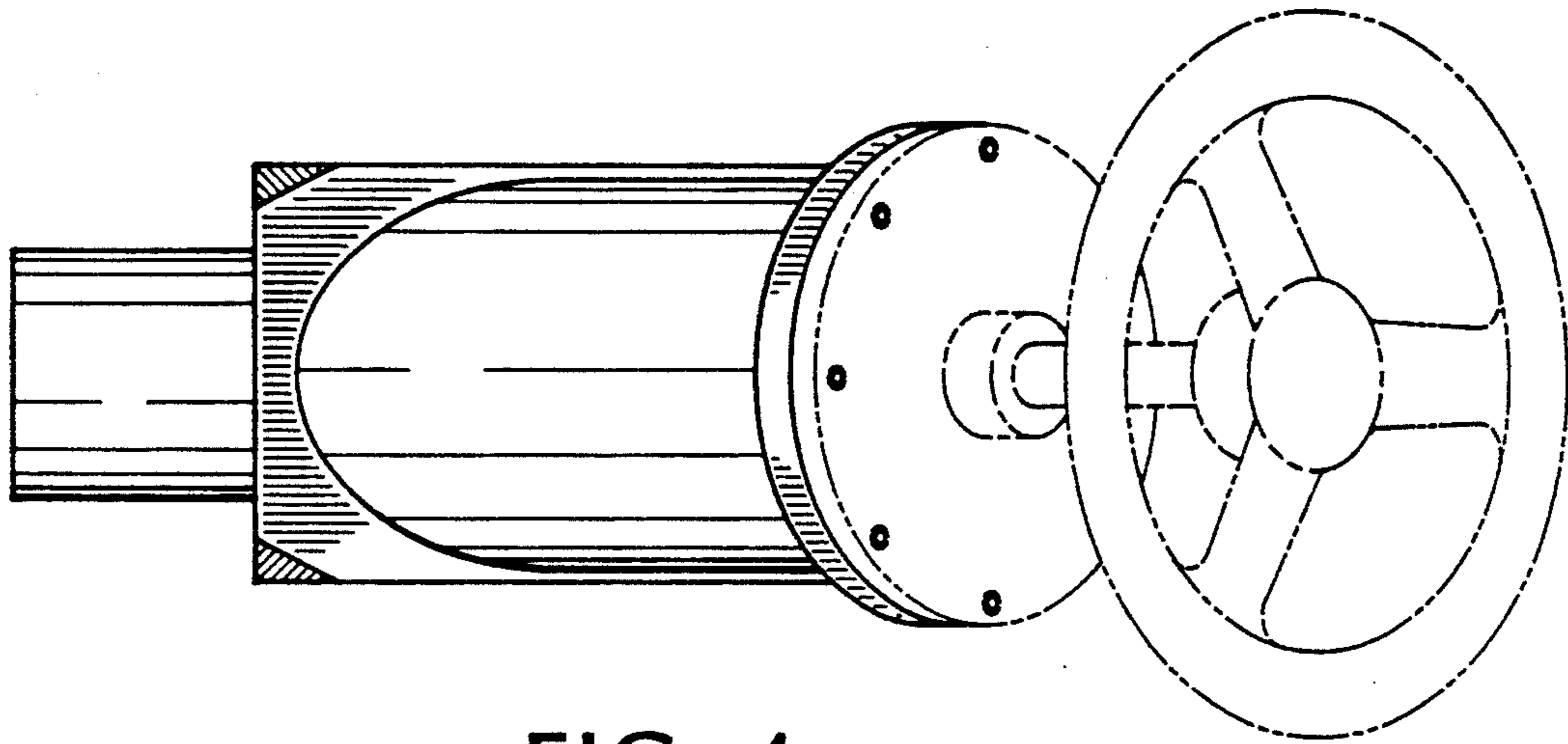


FIG. 4

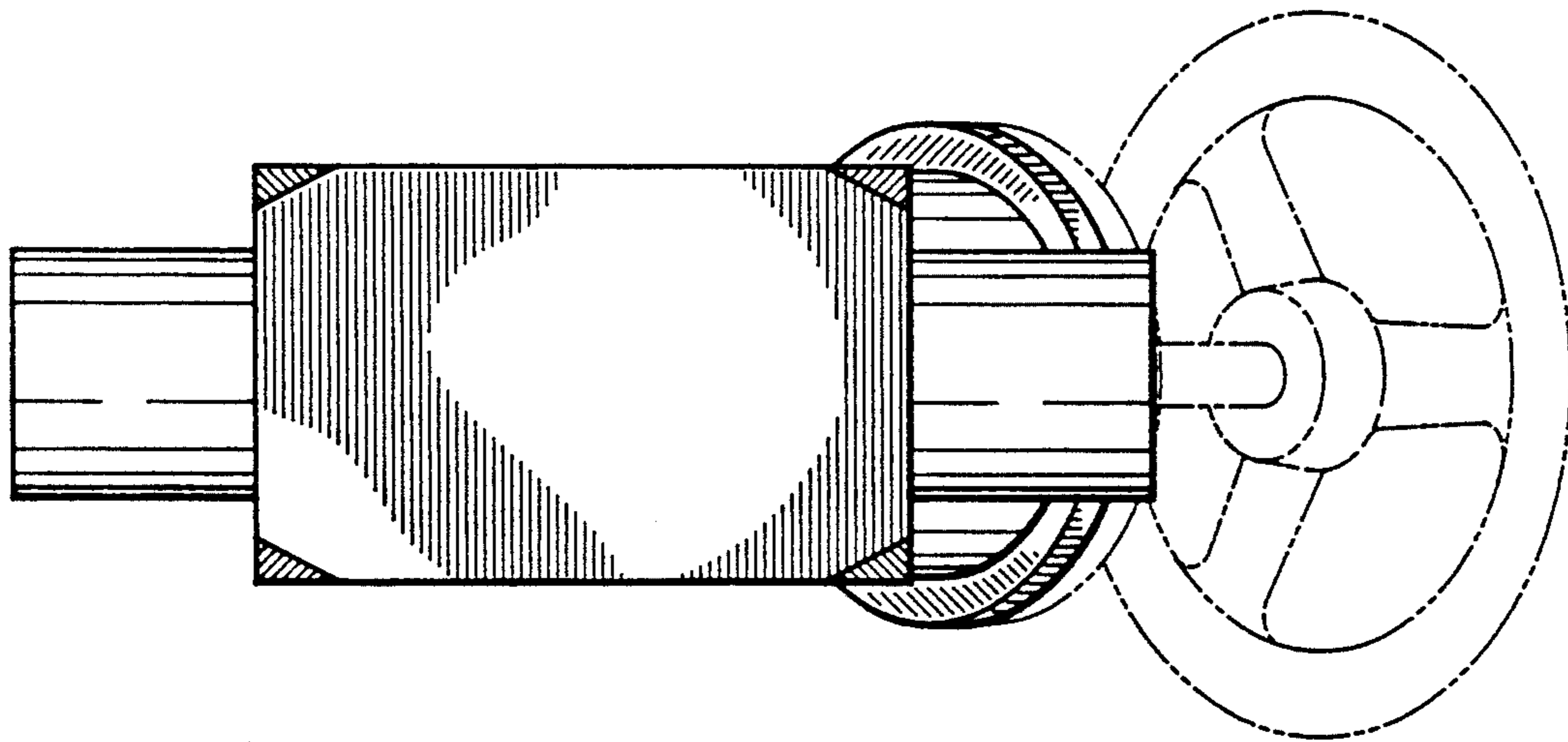


FIG. 5

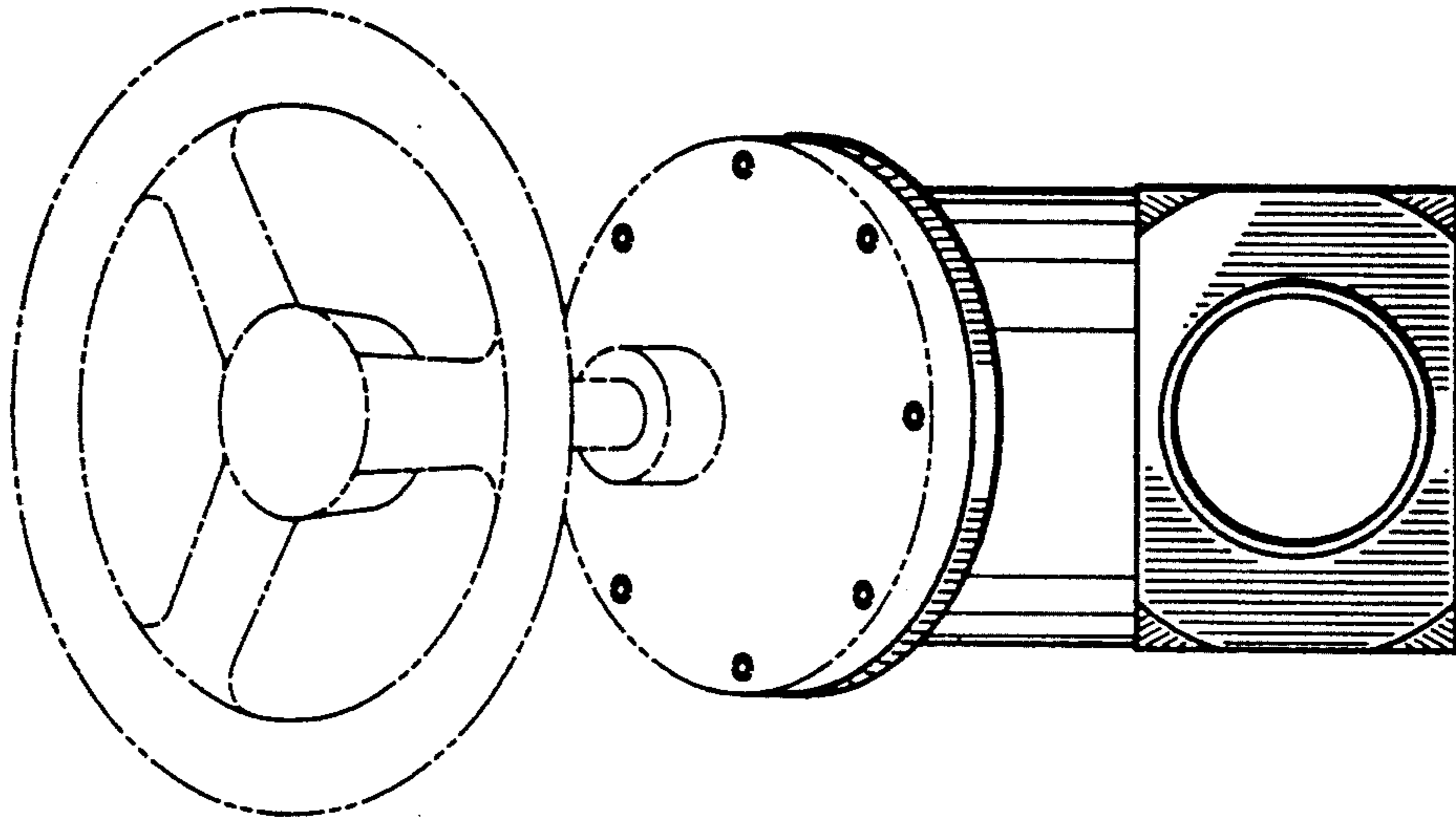


FIG. 7

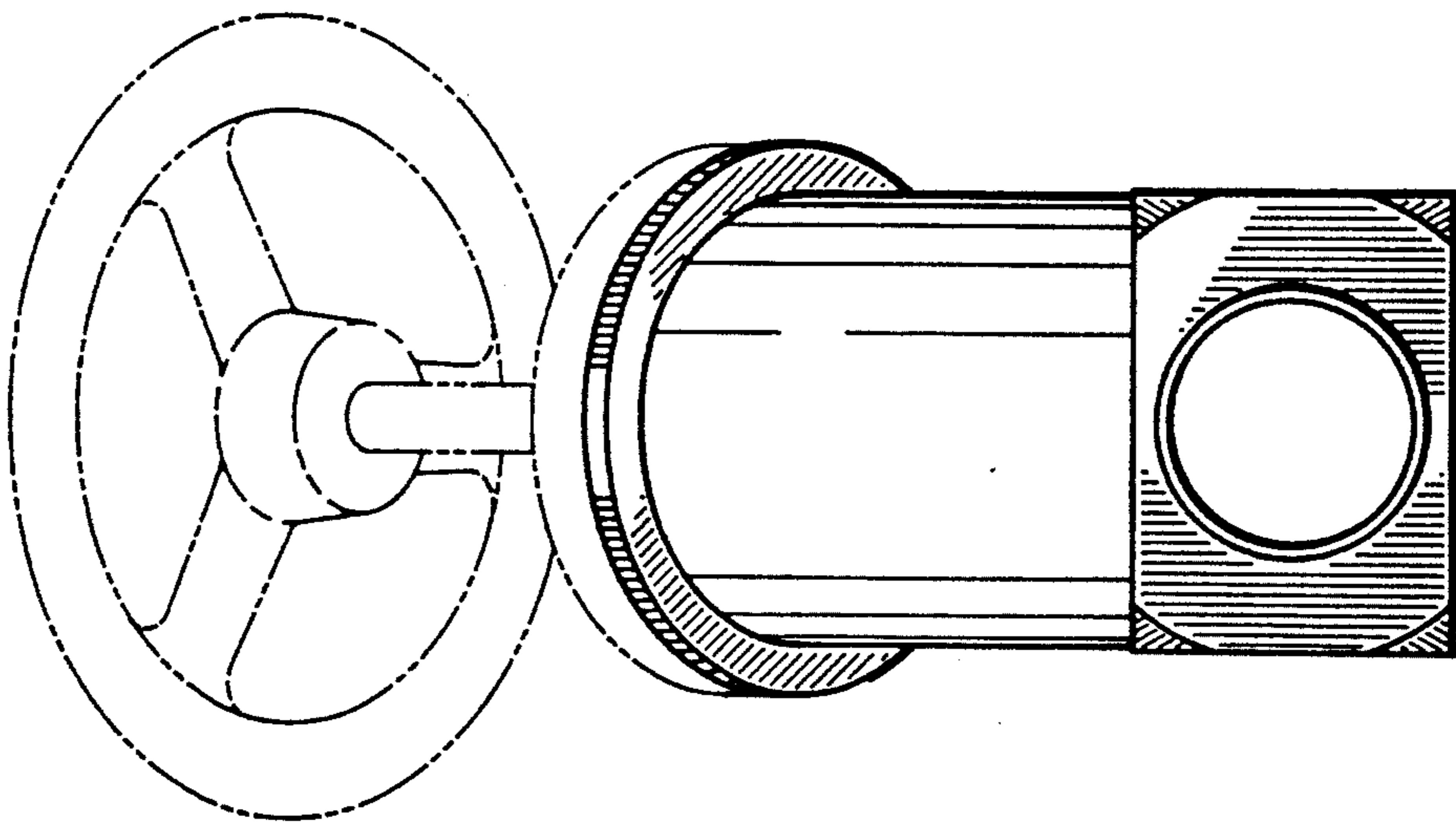


FIG. 6

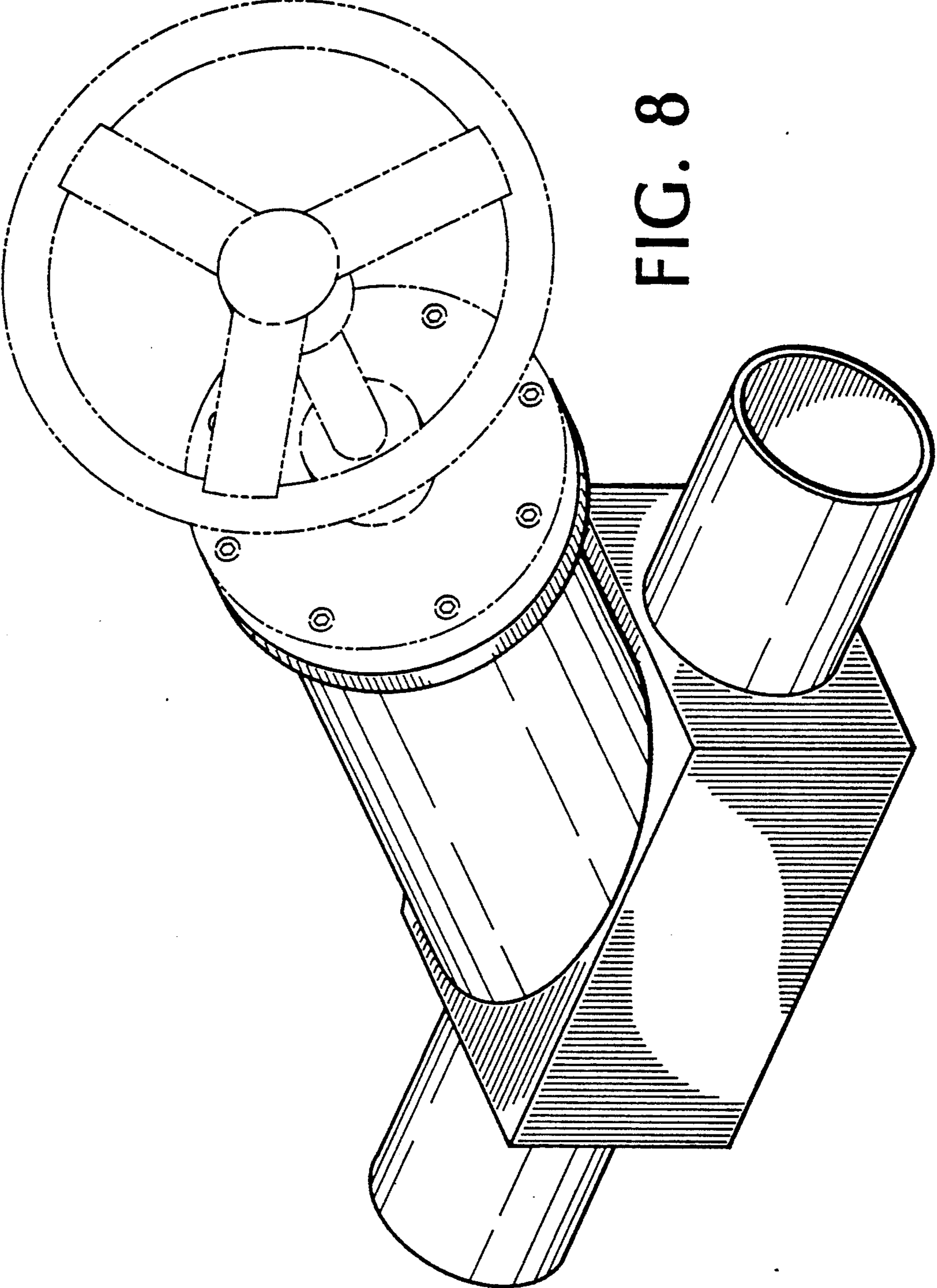


FIG. 8

FIG. 9

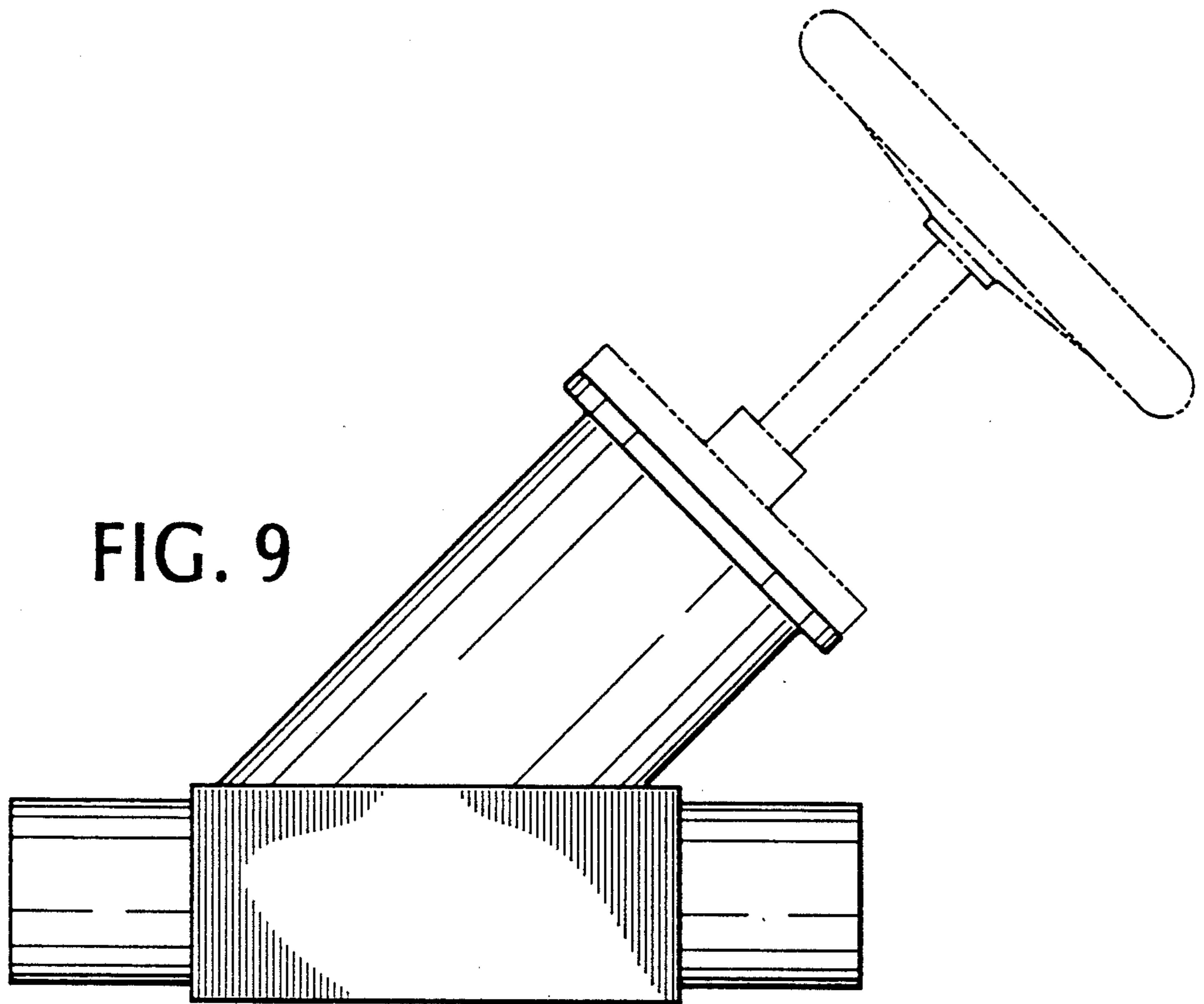
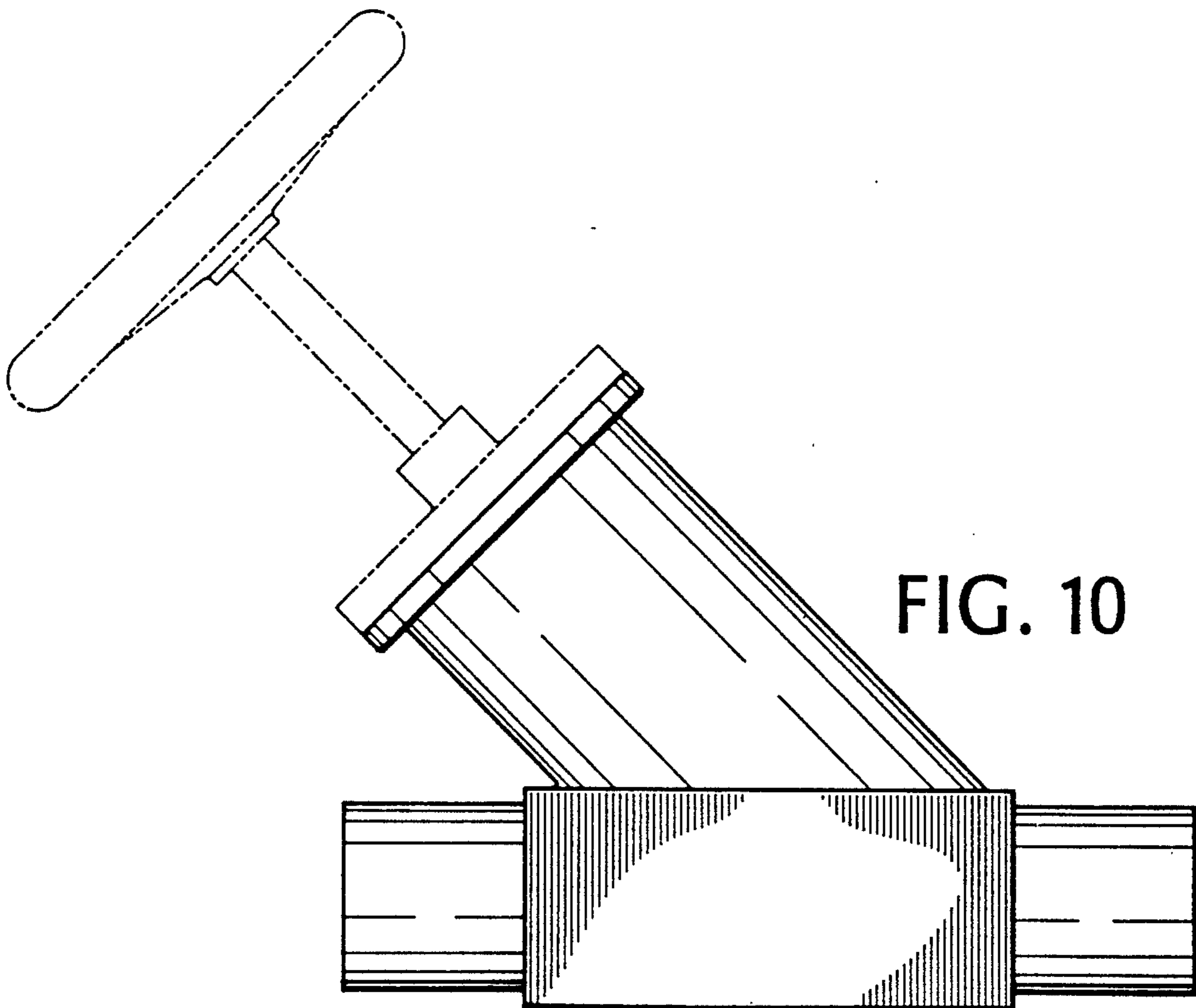


FIG. 10



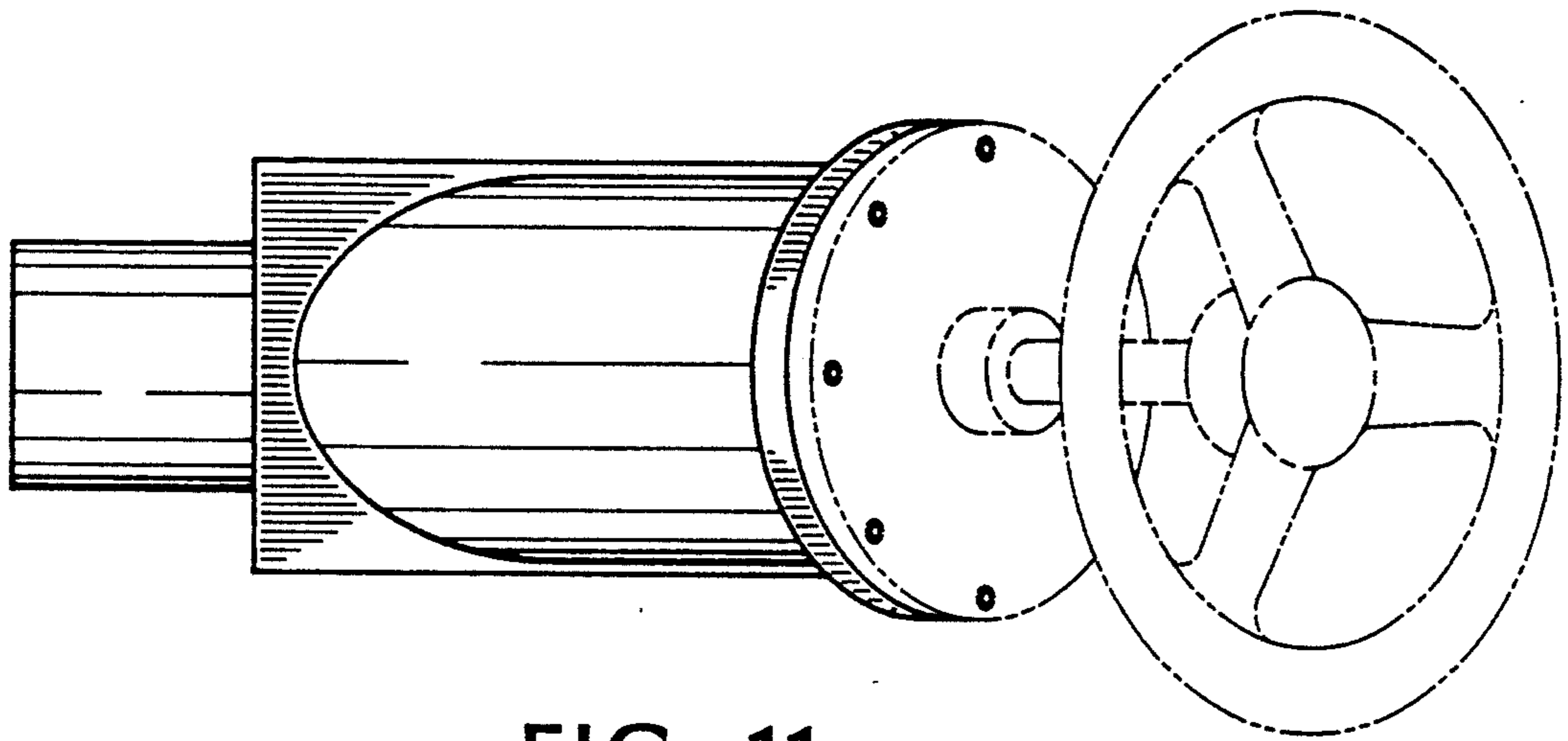


FIG. 11

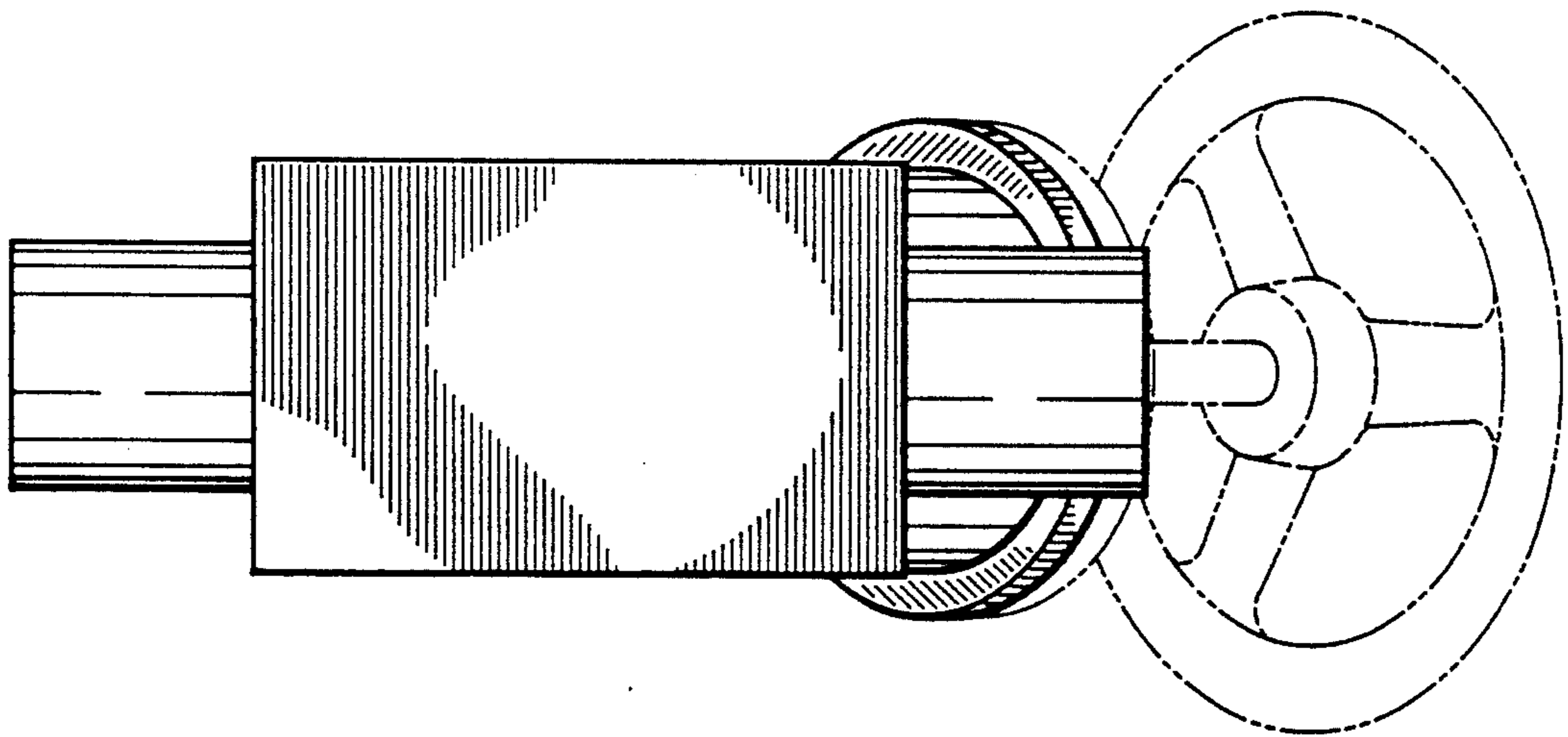


FIG. 12

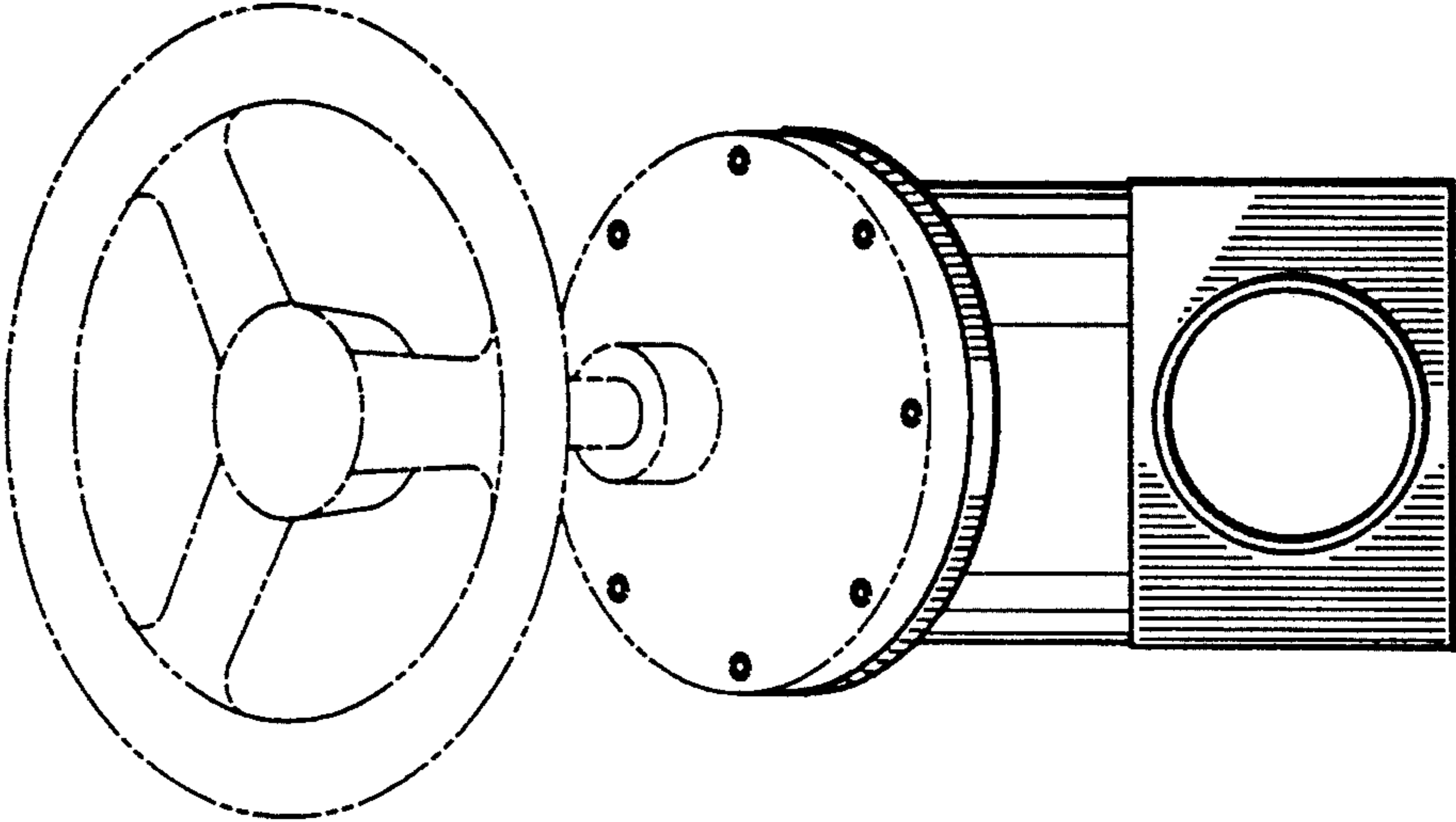


FIG. 14

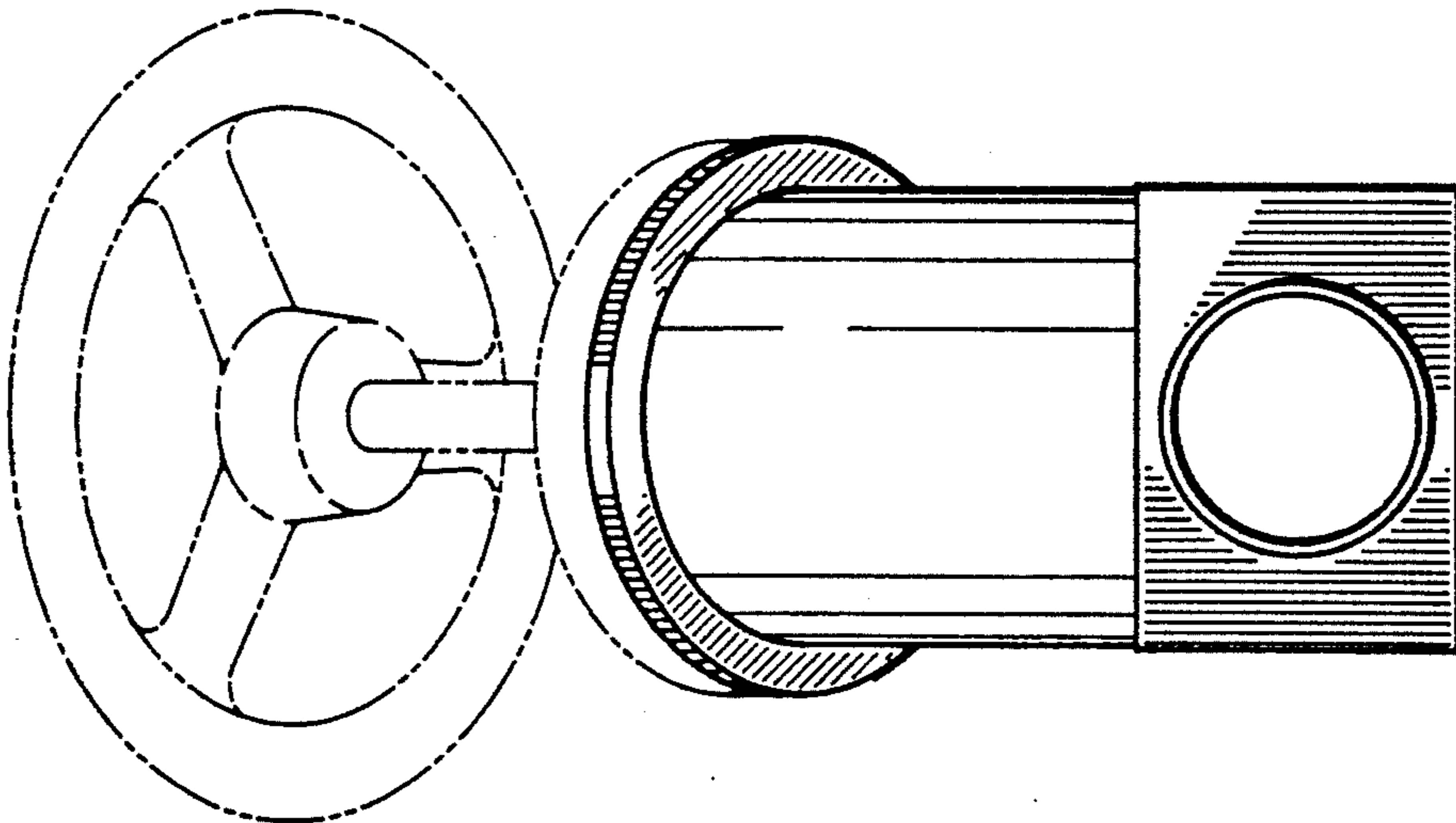


FIG. 13